



US00D459373S

(12) **United States Design Patent**
Hollinger et al.

(10) **Patent No.:** **US D459,373 S**

(45) **Date of Patent:** **** Jun. 25, 2002**

(54) **MITER SAW**

(75) Inventors: **David N. Hollinger**, Glenshaw; **Ronald E. Young**, Cheswick, both of PA (US); **Mark A. Etter**, Jackson, TN (US); **Leslie D. Gist**, Jackson, TN (US); **John C. Smith**, Jackson, TN (US)

(73) Assignee: **Porter Cable Corp.**, Jackson, TN (US)

(**) Term: **14 Years**

(21) Appl. No.: **29/138,431**

(22) Filed: **Mar. 13, 2001**

(51) **LOC (7) Cl.** **15-09**

(52) **U.S. Cl.** **D15/133**

(58) **Field of Search** D15/133; 83/471.1-471.3,
83/477, 581

(56) **References Cited**

U.S. PATENT DOCUMENTS

D346,173 S	*	4/1994	Price	D15/133
D388,442 S	*	12/1997	Shibata et al.	D15/133
D435,569 S	*	12/2000	Hollinger et al.	D15/133

* cited by examiner

Primary Examiner—Antoine Duval Davis
(74) *Attorney, Agent, or Firm*—Kirkpatrick & Lockhart LLP

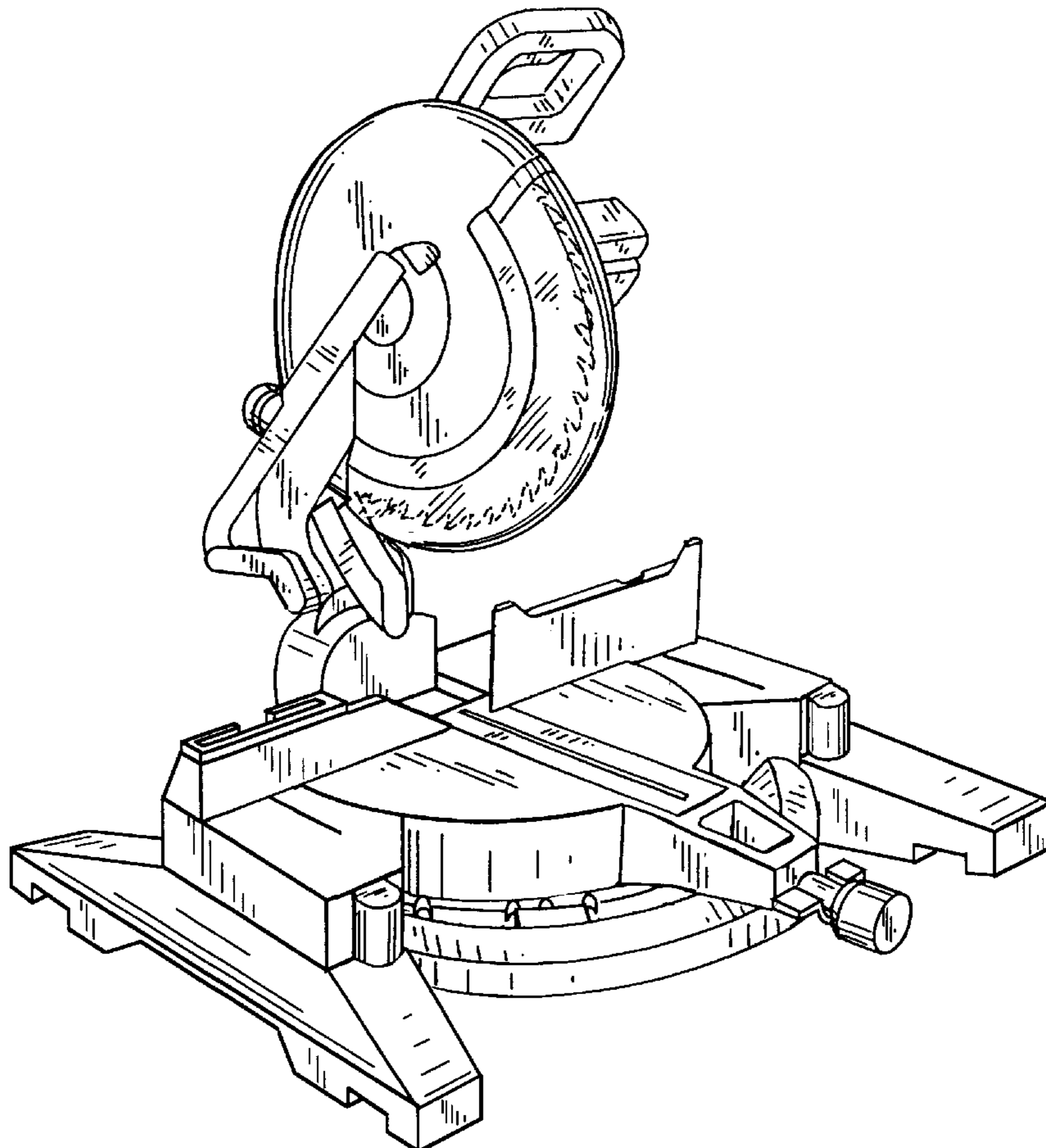
(57) **CLAIM**

The ornamental design for a miter saw, as shown and described.

DESCRIPTION

FIG. 1 is a first perspective view, taken from the front and to the left, of the miter saw of the present invention; FIG. 2 is a second perspective view, taken from the front and to the right, of the invention shown in FIG. 1; FIG. 3 is a front elevational view of the invention shown in FIG. 1; FIG. 4 is a rear elevational view of the invention shown in FIG. 1; FIG. 5 is a left side perspective view of the invention shown in FIG. 1; FIG. 6 is a right side perspective view of the invention shown in FIG. 1; FIG. 7 is a top view of the invention shown in FIG. 1; and, FIG. 8 is a bottom view of the invention shown in FIG. 1.

1 Claim, 8 Drawing Sheets



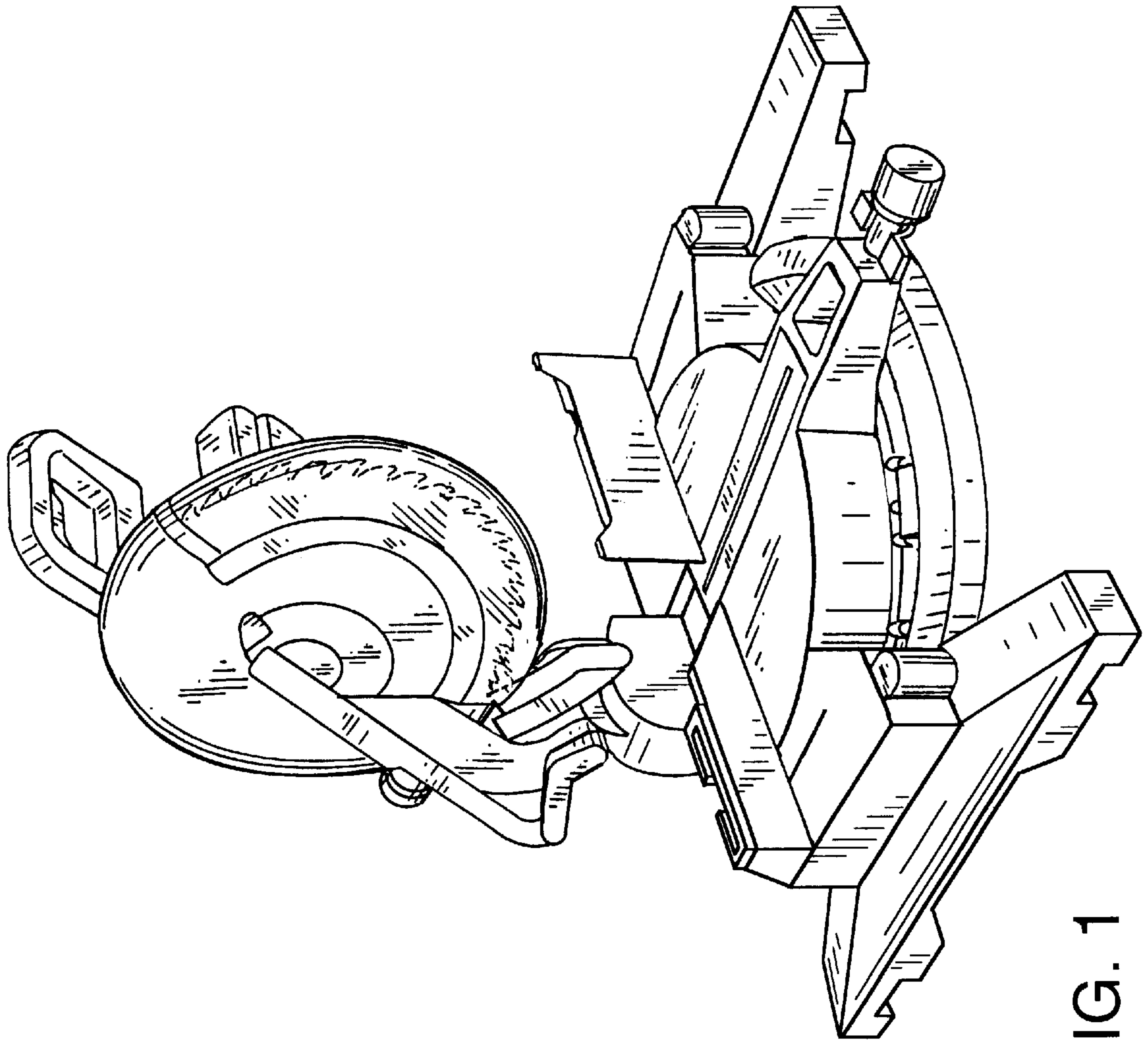


FIG. 1

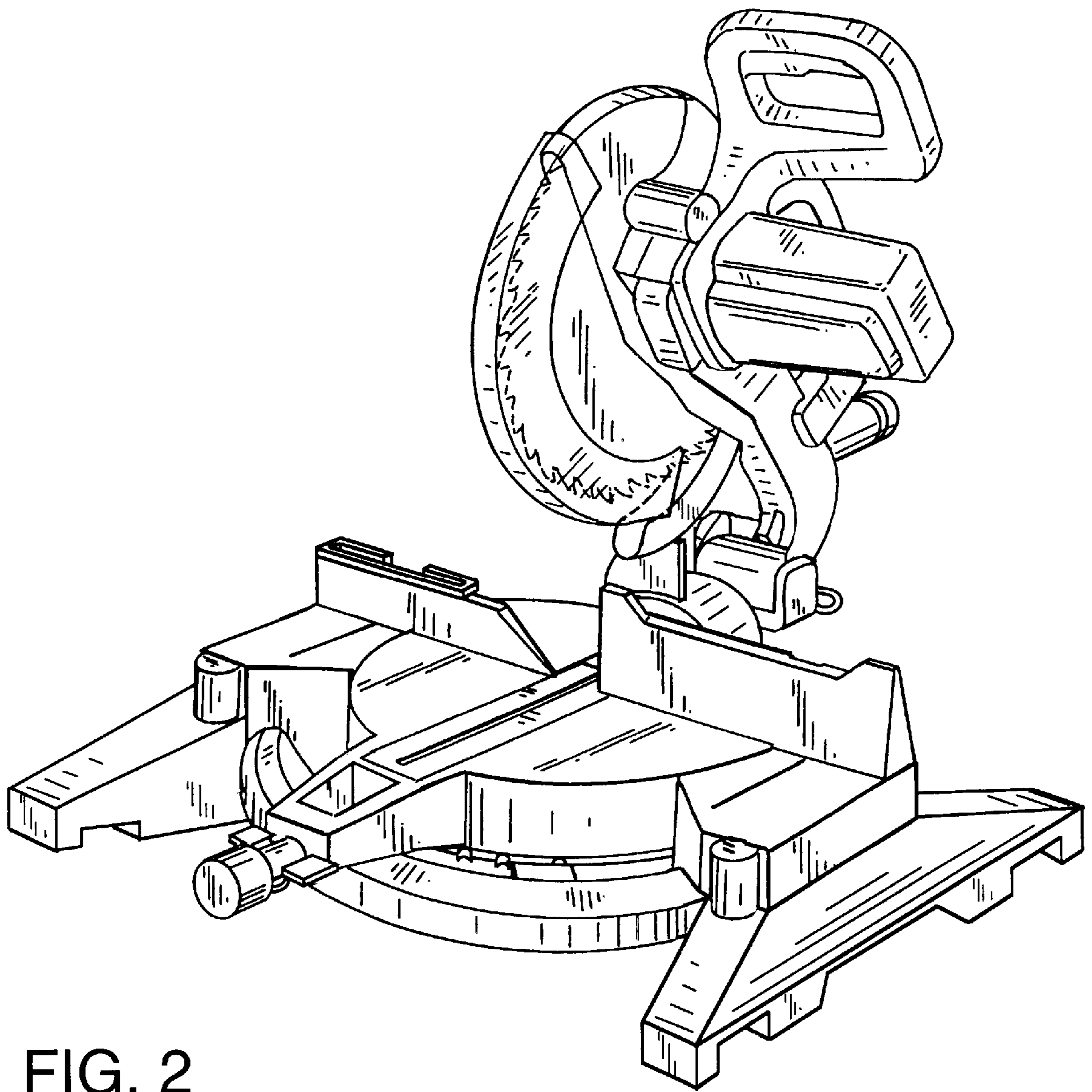


FIG. 2

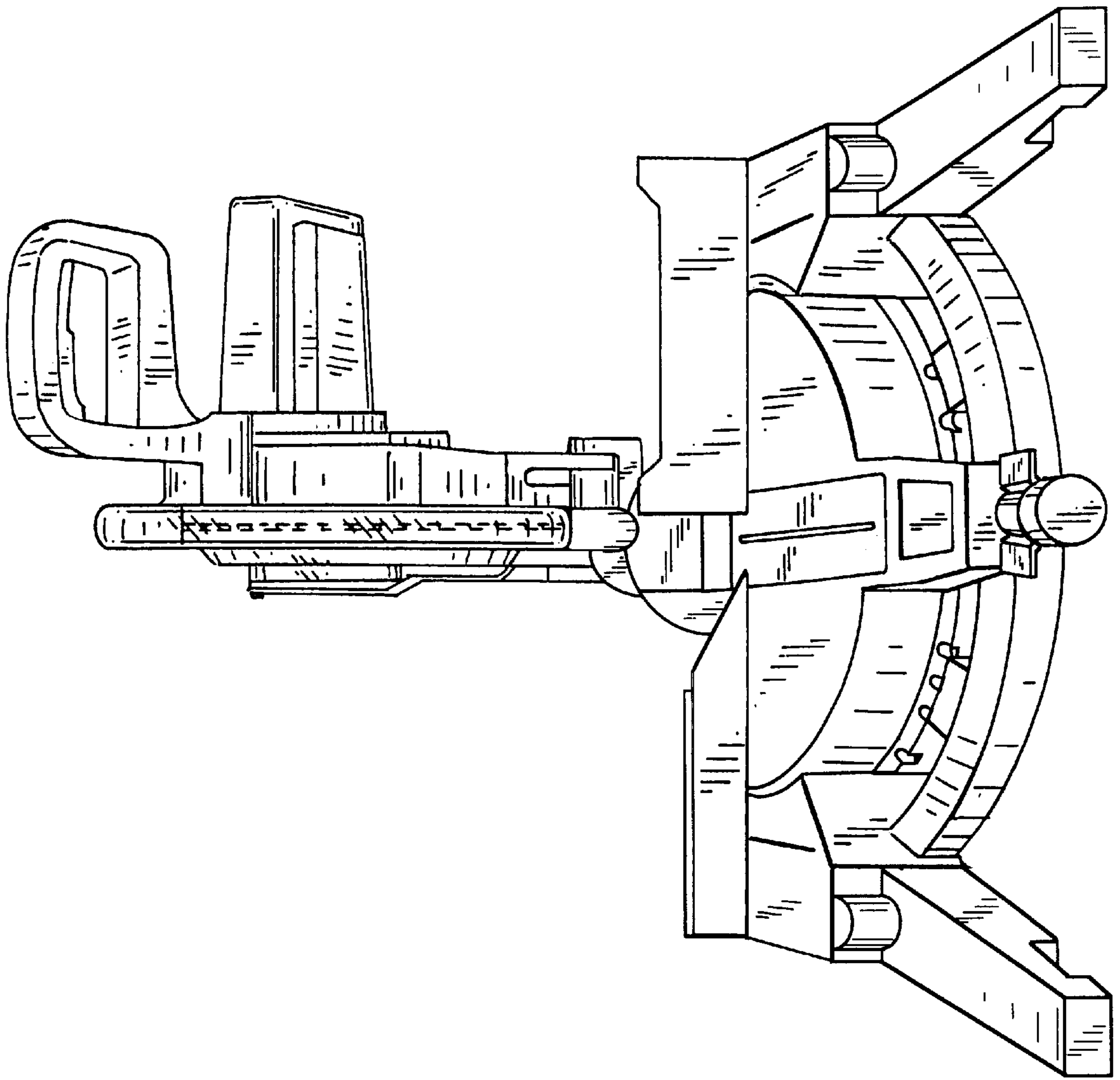


FIG. 3

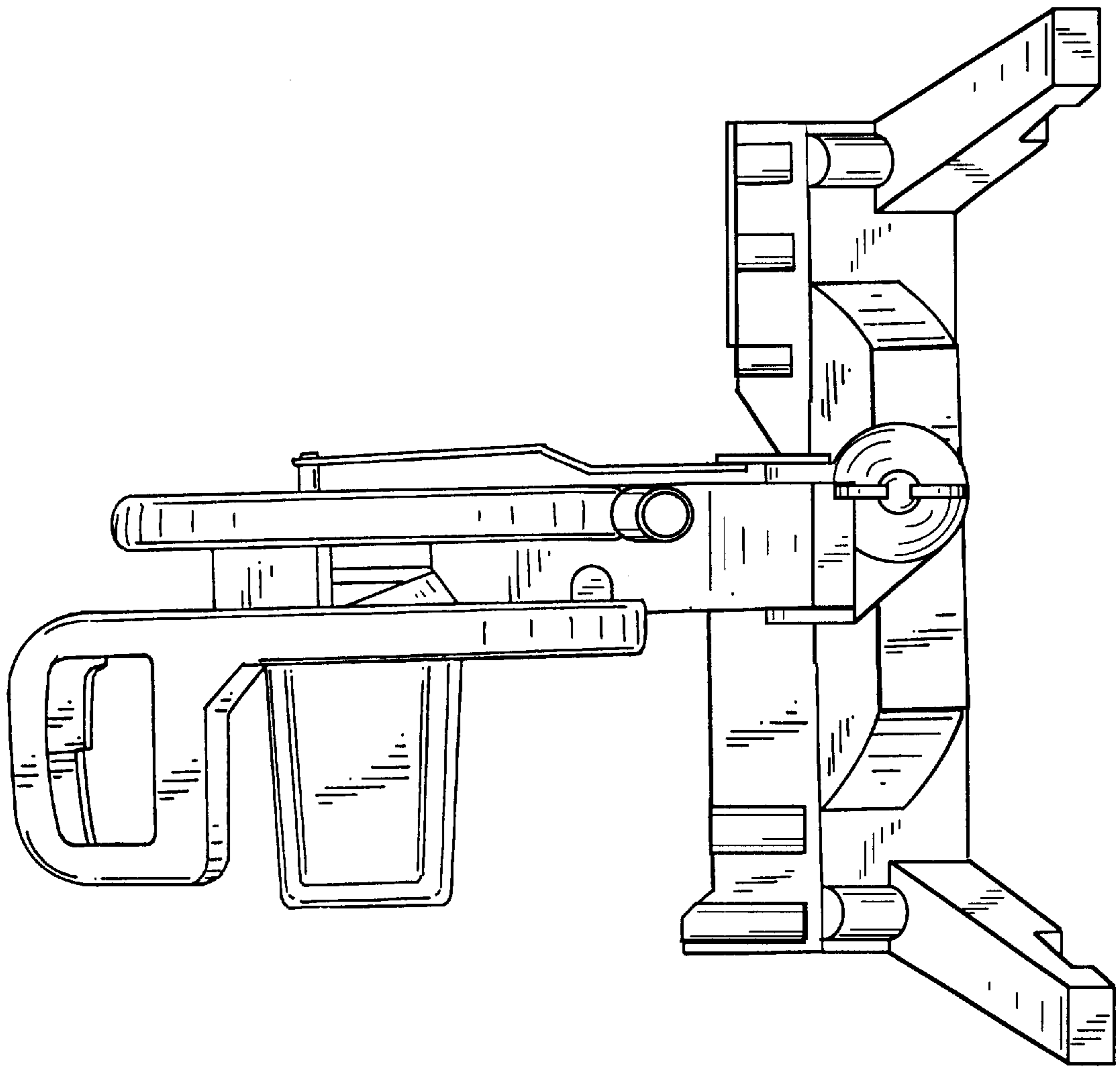


FIG. 4

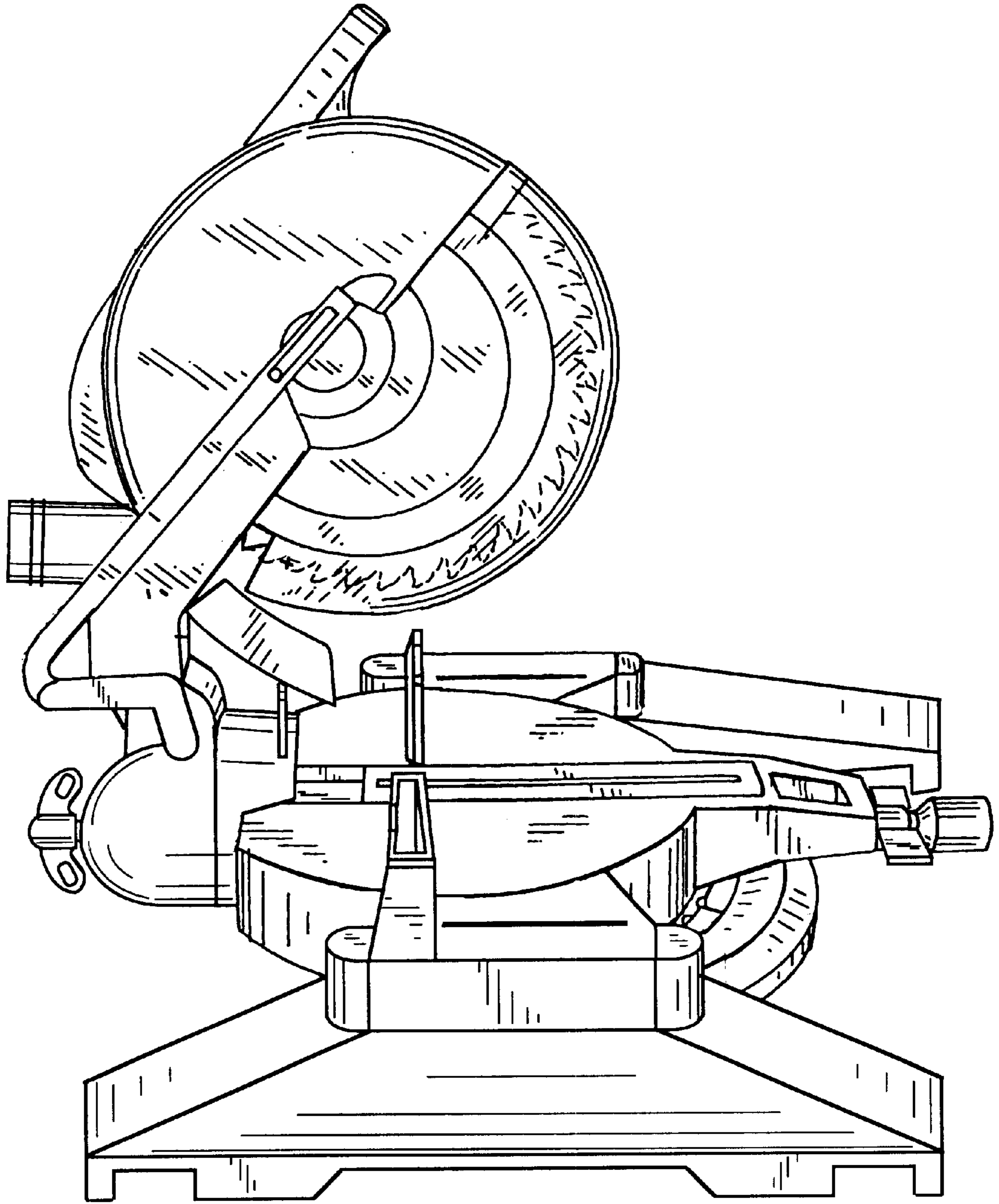


FIG. 5

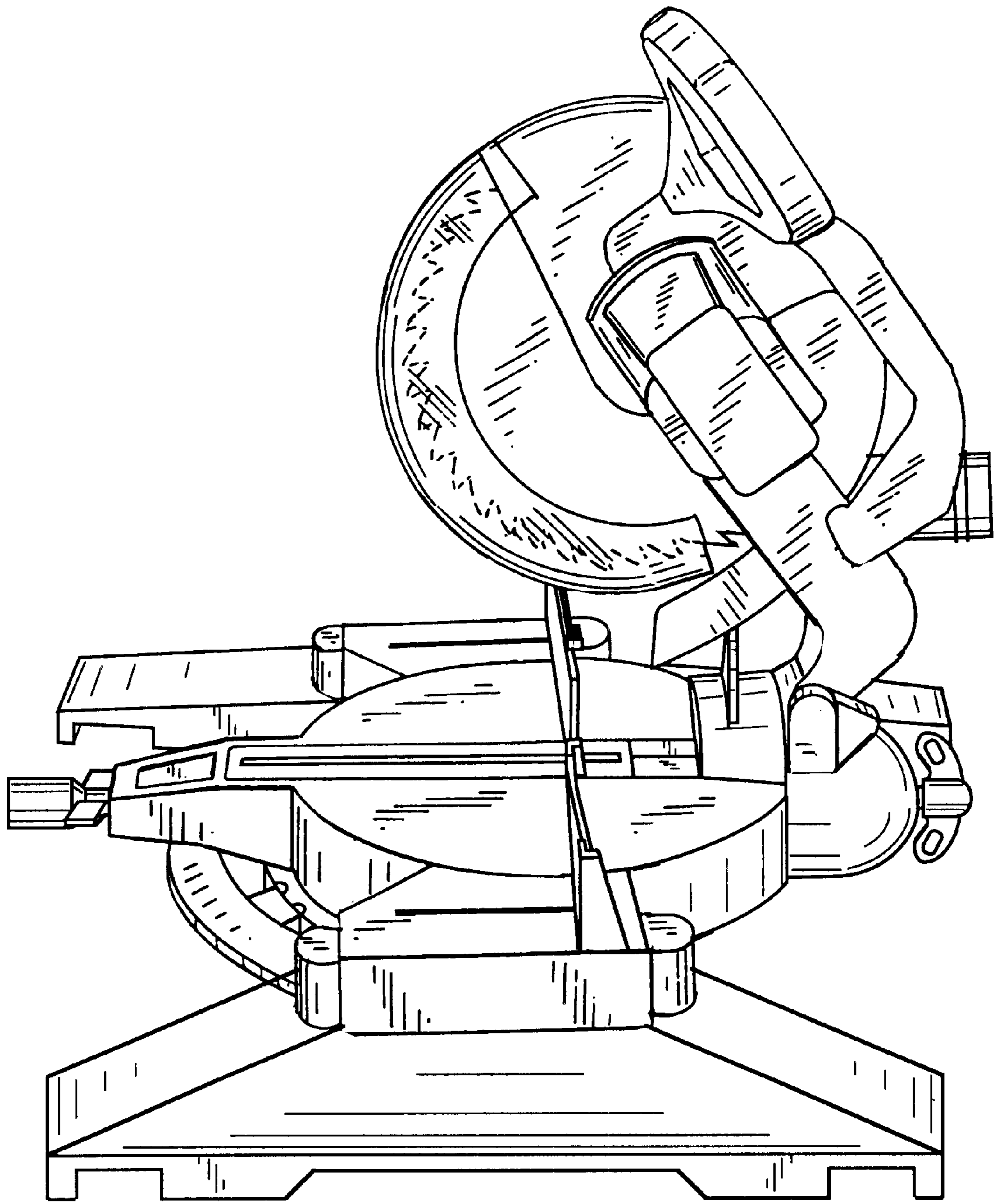


FIG. 6

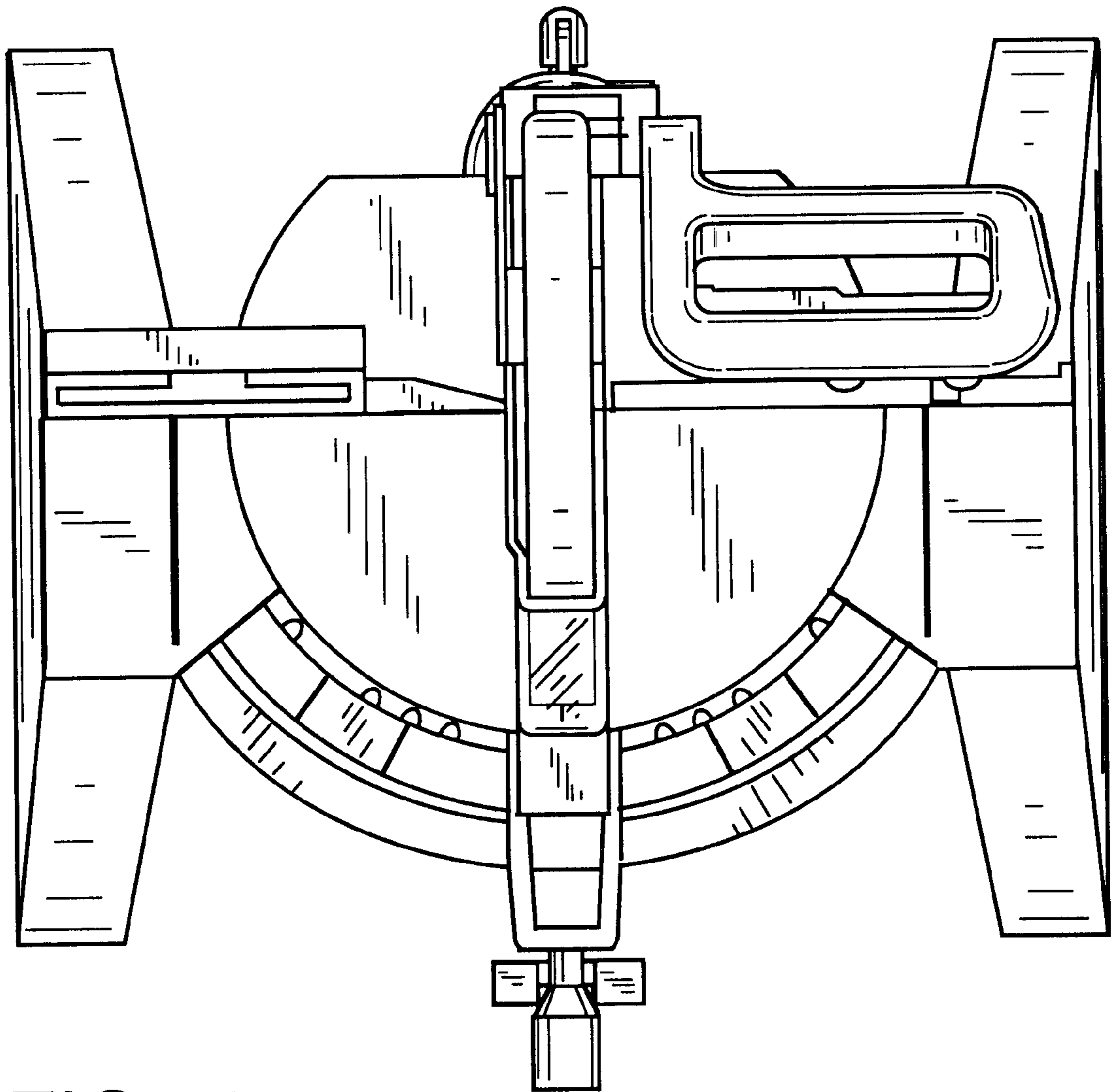


FIG. 7

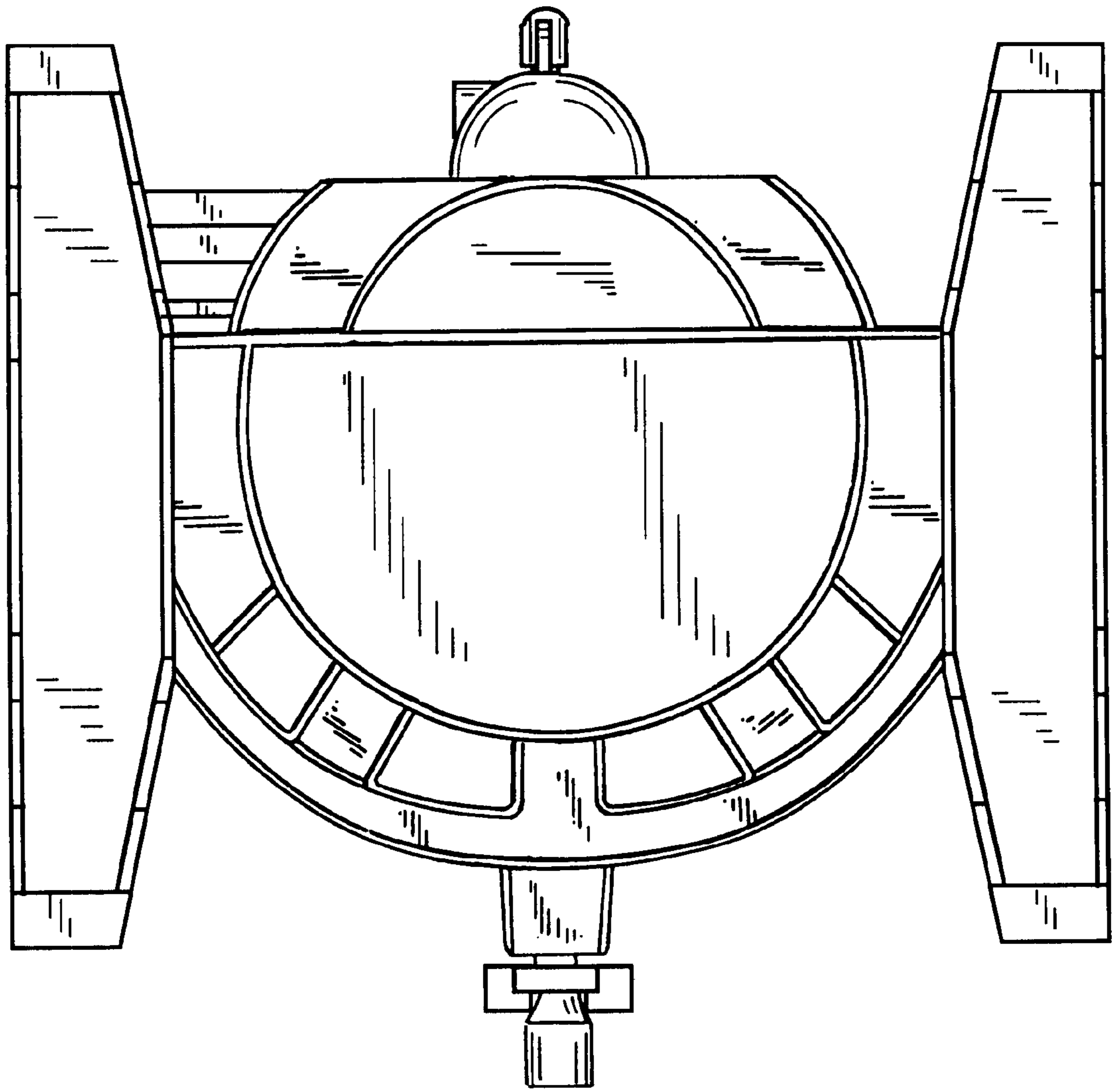


FIG. 8