

US00D459371S

(12) **United States Design Patent**  
**Wirth, Jr. et al.**

(10) **Patent No.:** **US D459,371 S**  
(45) **Date of Patent:** **\*\* Jun. 25, 2002**

(54) **LATHE**

(75) **Inventors:** **John Wirth, Jr.**, Dubois; **Jay L. Sanger**, Casper, both of WY (US); **Charles H. Latven**, Tajique, NM (US)

(73) **Assignee:** **Woodworker's Supply, Inc.**, Casper, WY (US)

(\*\*) **Term:** **14 Years**

(21) **Appl. No.:** **29/146,194**

(22) **Filed:** **Aug. 7, 2001**

(51) **LOC (7) Cl.** ..... **15-09**

(52) **U.S. Cl.** ..... **D15/130**

(58) **Field of Search** ..... D15/130-141;  
82/112-121, 128, 132, 142, 143, 149, 162,  
903; 144/16, 114; 142/7

(56) **References Cited**

**U.S. PATENT DOCUMENTS**

D425,916 S \* 5/2000 Cheng ..... D15/130

**OTHER PUBLICATIONS**

Oneway Manufacturing's large lathe product range; [www.oneway.on.ca/Oneway/LATHES.html](http://www.oneway.on.ca/Oneway/LATHES.html); 5 pages; publication date unknown.

\* cited by examiner

*Primary Examiner*—Antoine Duval Davis

(74) *Attorney, Agent, or Firm*—Nixon & Vanderhye PC

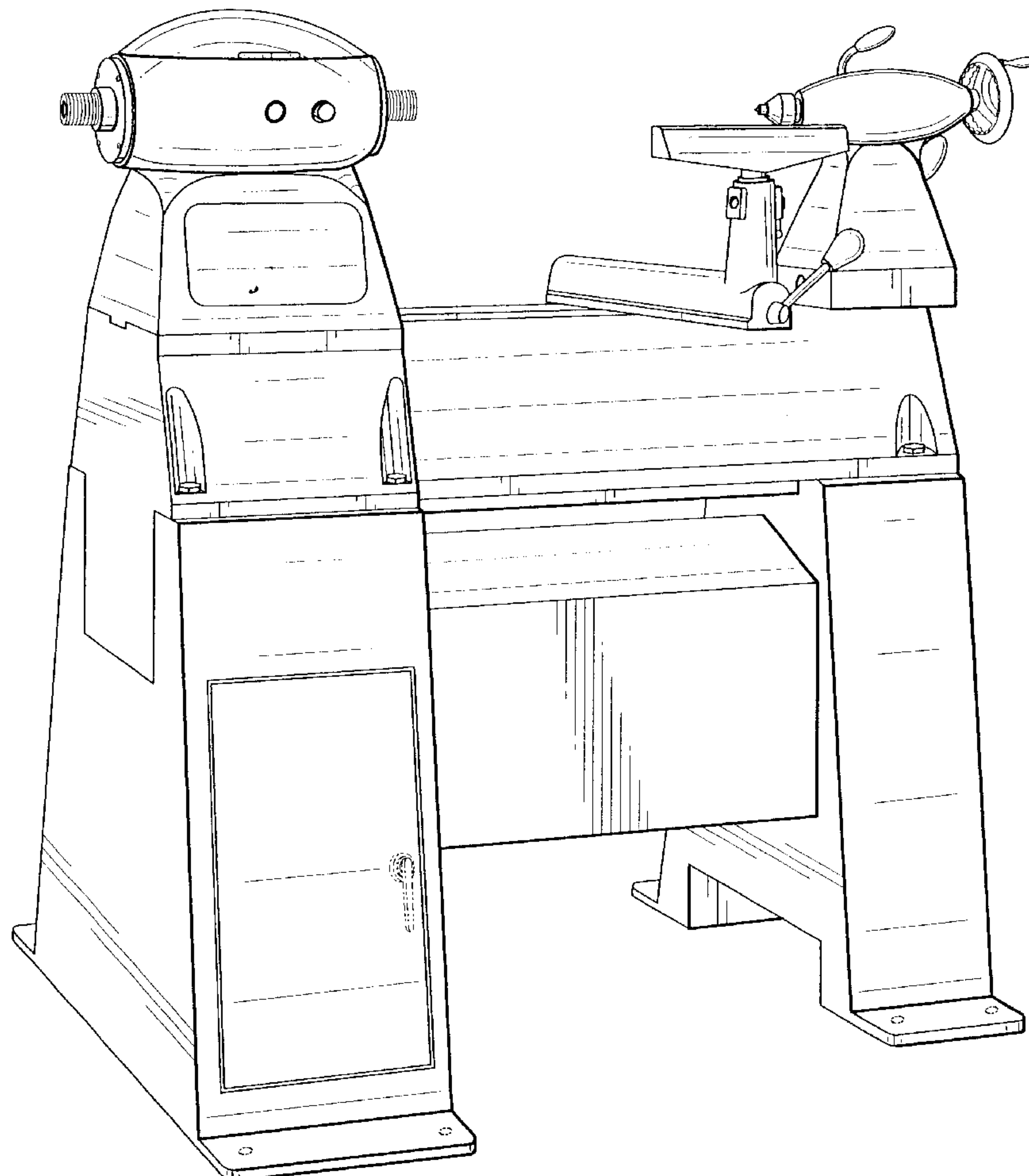
(57) **CLAIM**

The ornamental design for a lathe, as shown and described.

**DESCRIPTION**

FIG. 1 is a perspective view of a lathe in accordance with the new design from above, front and left; FIG. 2 is a front view thereof; FIG. 3 is a top plan view thereof; FIG. 4 is a bottom plan view thereof; FIG. 5 is a left end view thereof; and, FIG. 6 is a right end view thereof.

**1 Claim, 6 Drawing Sheets**



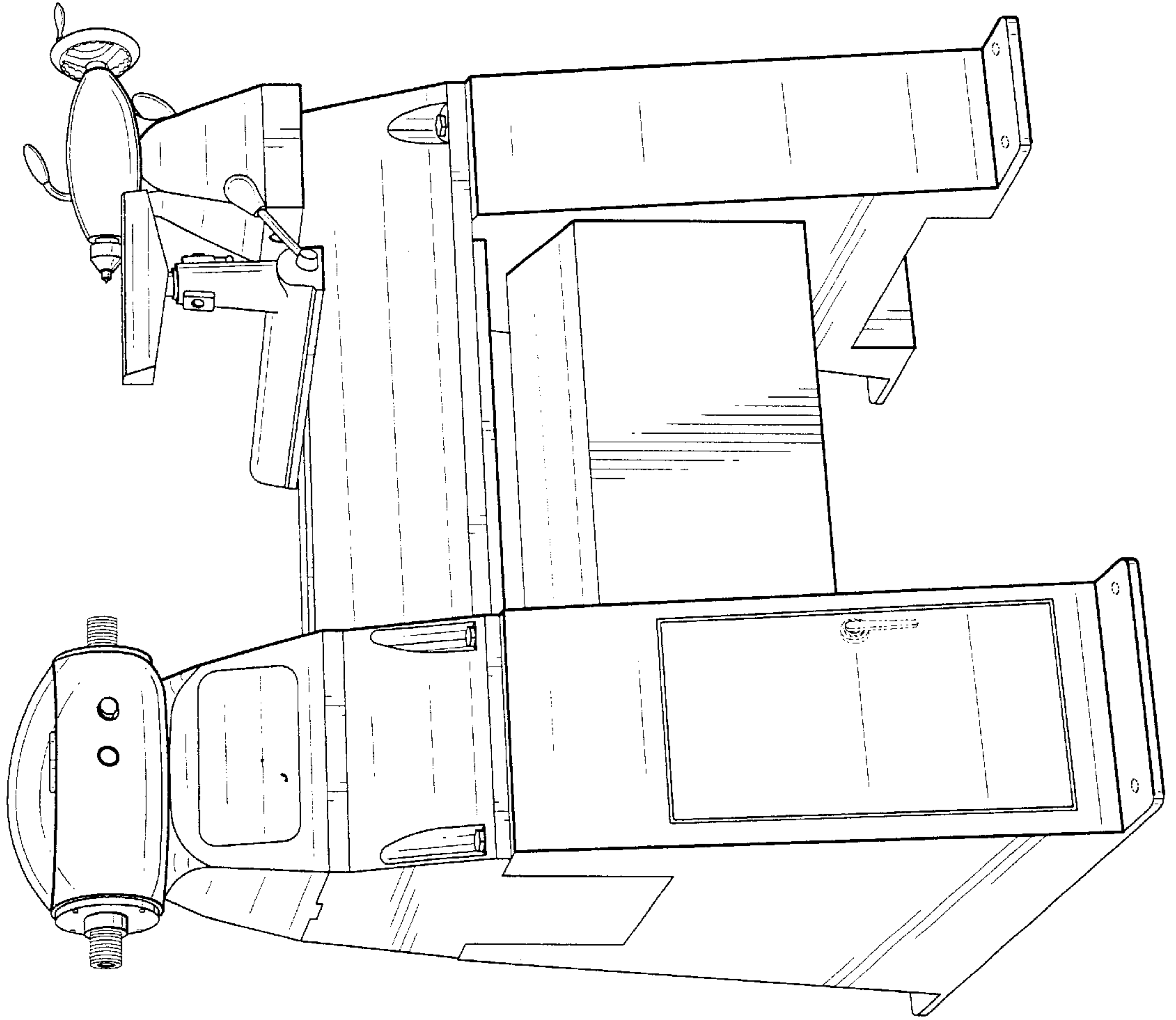


Fig. 1

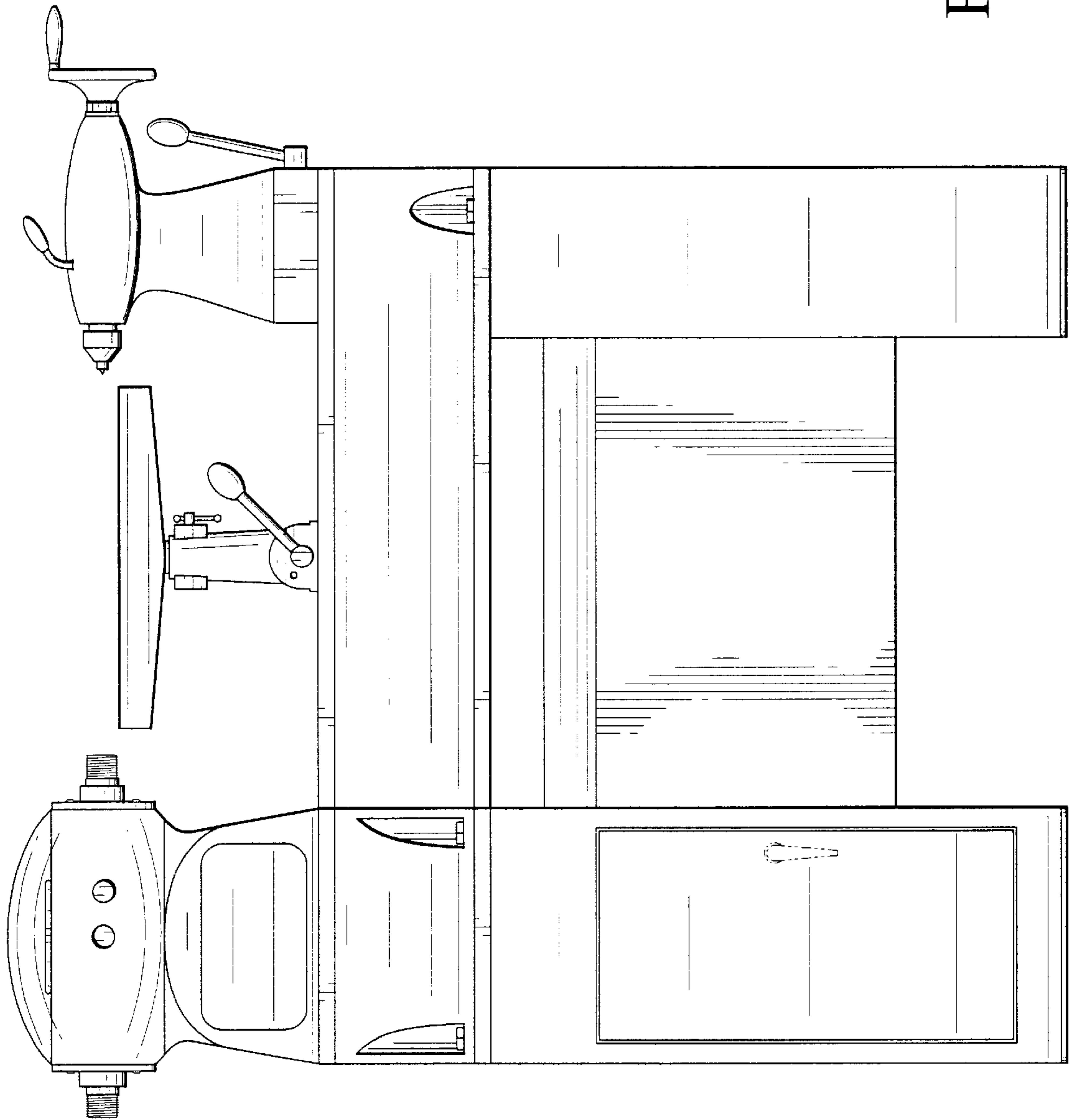


Fig. 2

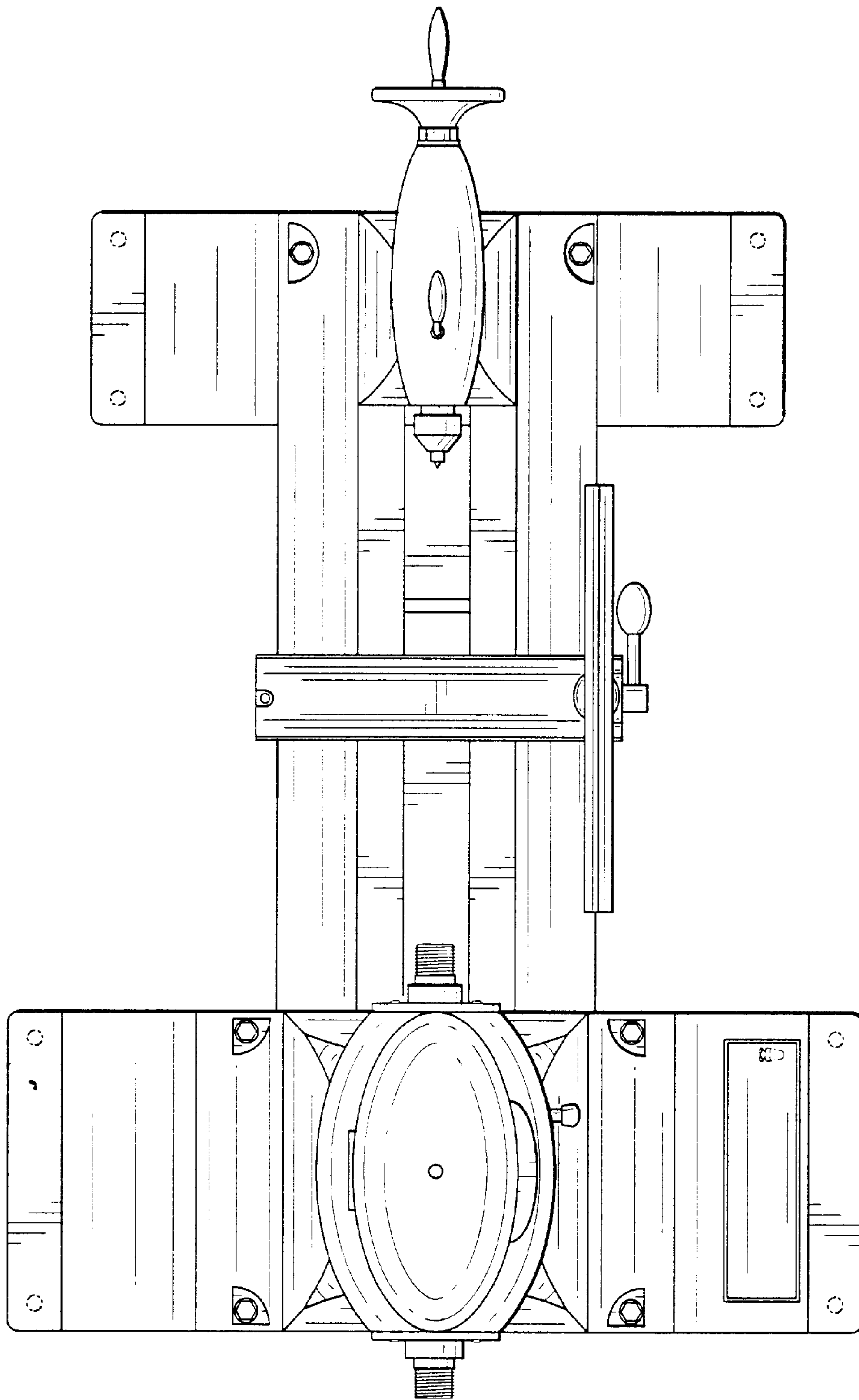


Fig. 3

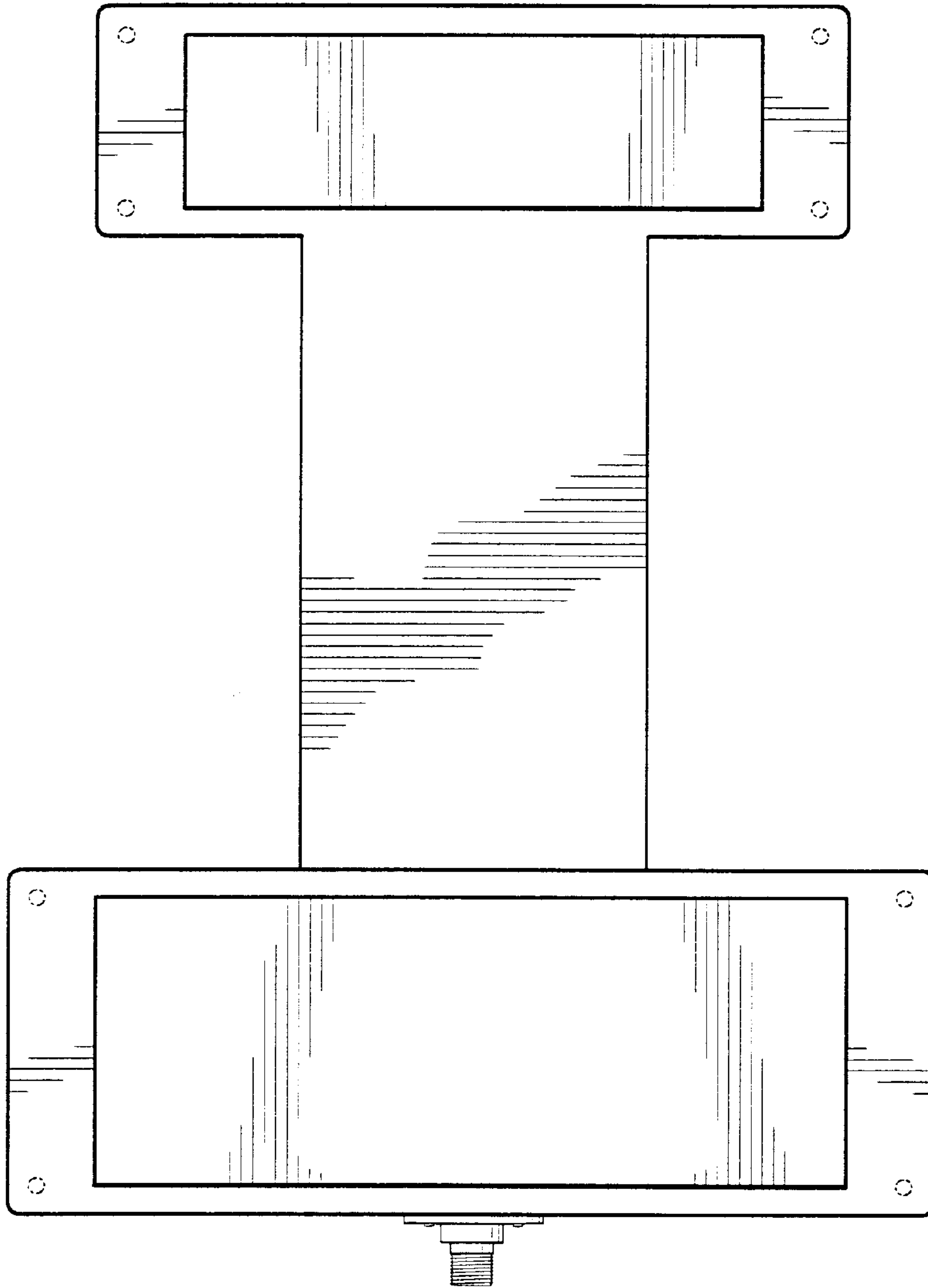


Fig. 4

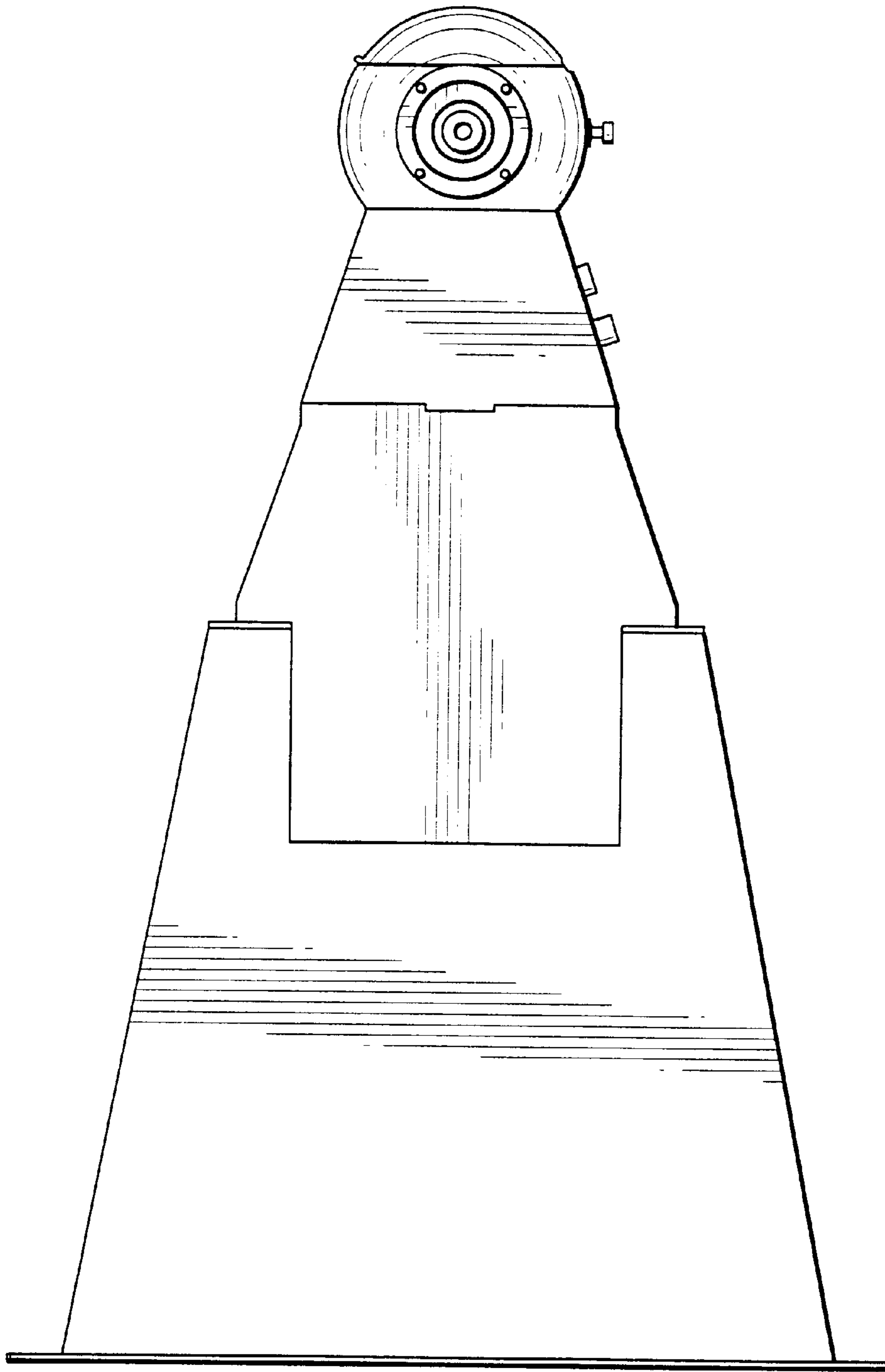


Fig. 5

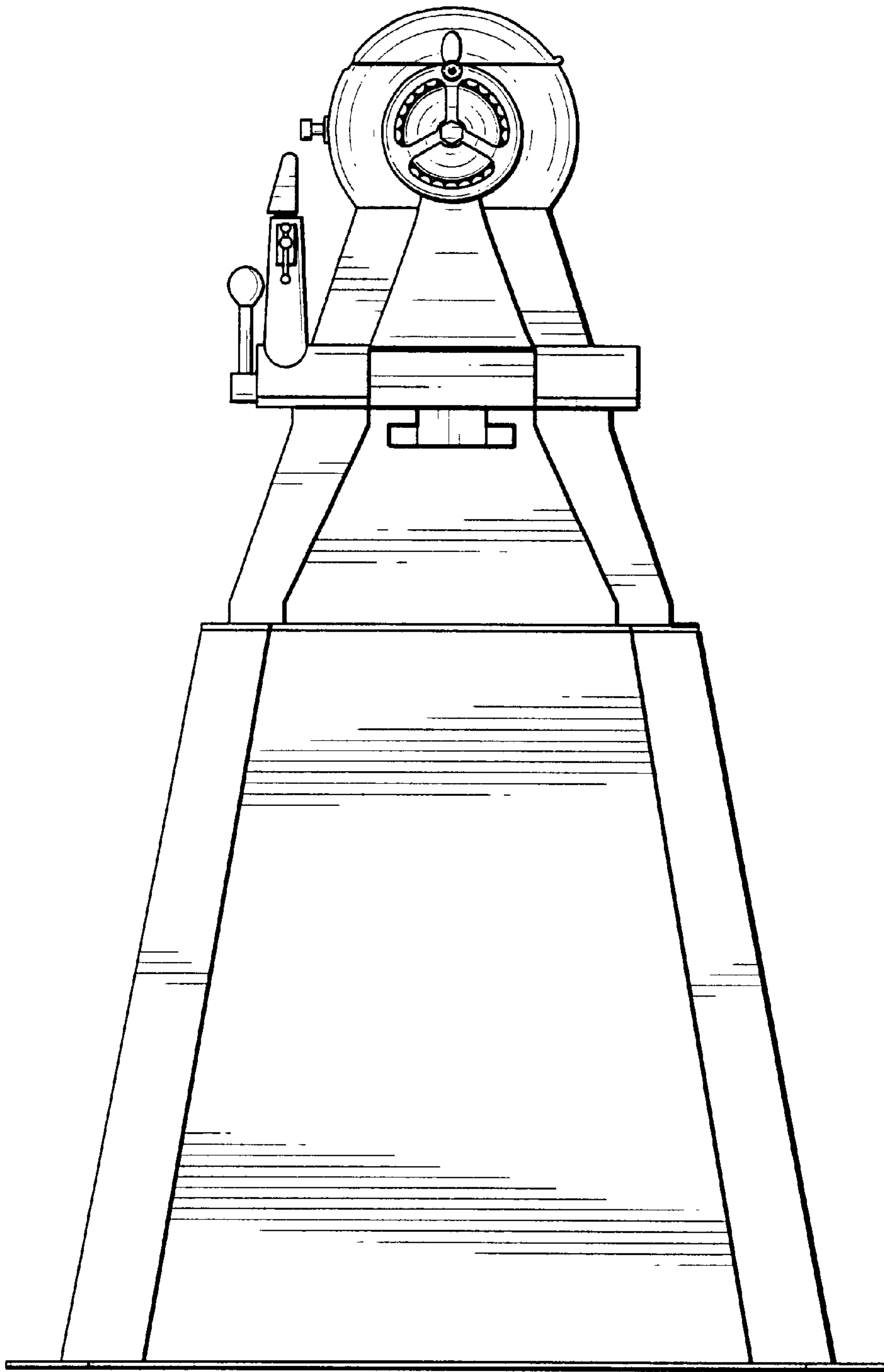


Fig. 6