



US00D459370S

(12) **United States Design Patent**
Beadel

(10) **Patent No.:** **US D459,370 S**

(45) **Date of Patent:** **** Jun. 25, 2002**

(54) **GRINDING MACHINE ENCLOSURE**

6,010,394 A * 1/2000 Dieck et al. 451/5

(75) Inventor: **Norbert L. Beadel**, Santa Ana, CA
(US)

* cited by examiner

(73) Assignee: **RT Industries, Inc.**, Santa Ana, CA
(US)

Primary Examiner—Antoine Duval Davis

(74) *Attorney, Agent, or Firm*—Foley & Lardner; Jay P. Hendrickson

(**) Term: **14 Years**

(57) **CLAIM**

The ornamental design for a grinding machine enclosure, as shown and described.

(21) Appl. No.: **29/125,470**

(22) Filed: **Jun. 21, 2000**

DESCRIPTION

(51) **LOC (7) Cl.** **15-09**

FIG. 1 is a front perspective view of a grinding machine enclosure.

(52) **U.S. Cl.** **D15/124**

FIG. 2 is a top view of a grinding machine enclosure.

(58) **Field of Search** D15/124; 451/5,
451/64, 11, 21, 49, 24, 173, 398; 294/91

FIG. 3 is a left side view of a grinding machine enclosure.

FIG. 4 is a right side view of a grinding machine enclosure.

FIG. 5 is a front end view of a grinding machine enclosure.

FIG. 6 is a rear end view of a grinding machine enclosure; and,

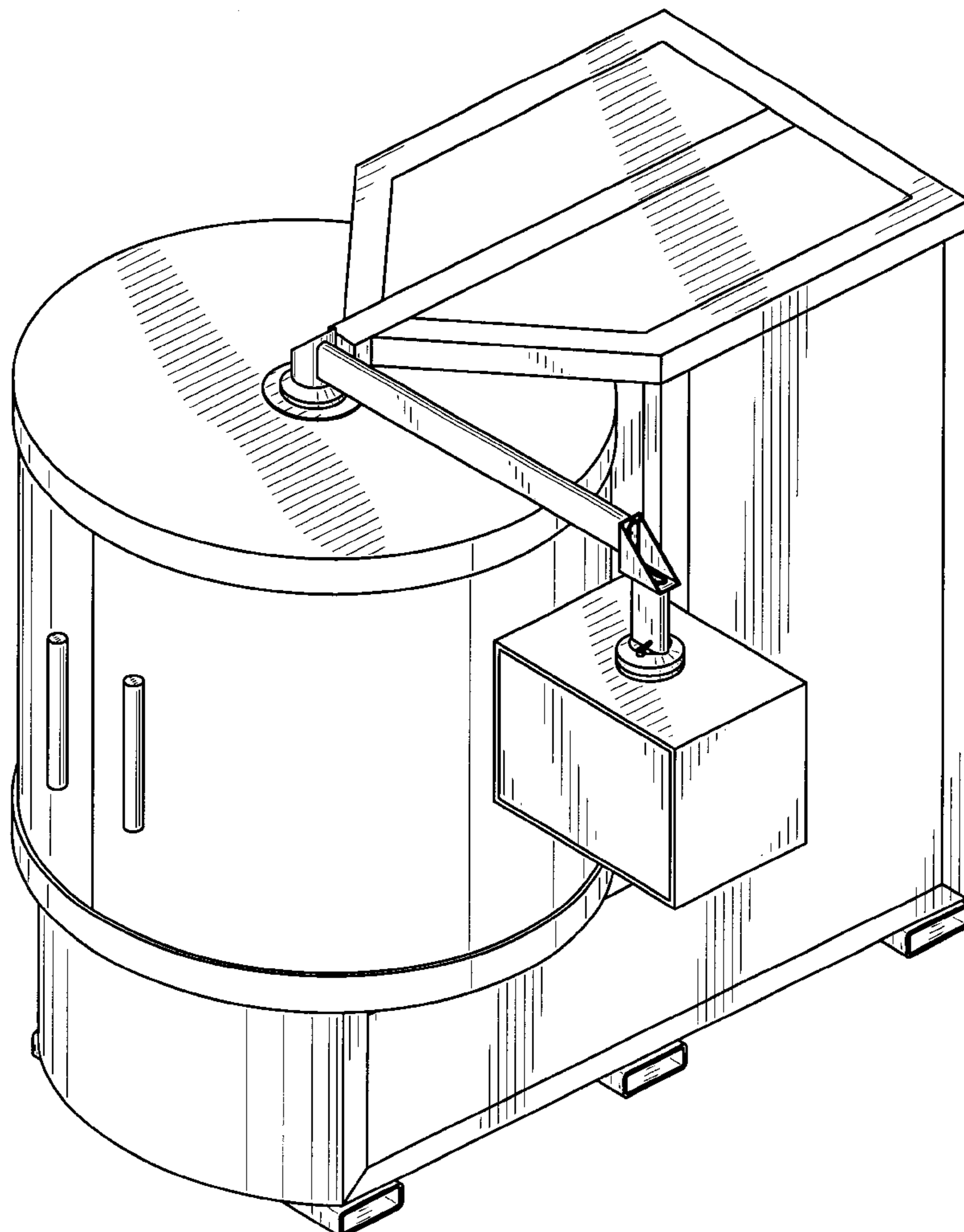
FIG. 7 is a bottom view of a grinding machine enclosure.

(56) **References Cited**

U.S. PATENT DOCUMENTS

- D379,998 S * 6/1997 Marinkovic D15/124
- D380,480 S * 7/1997 Marinkovic D15/124
- 5,961,379 A * 10/1999 Uchida 451/5

1 Claim, 7 Drawing Sheets



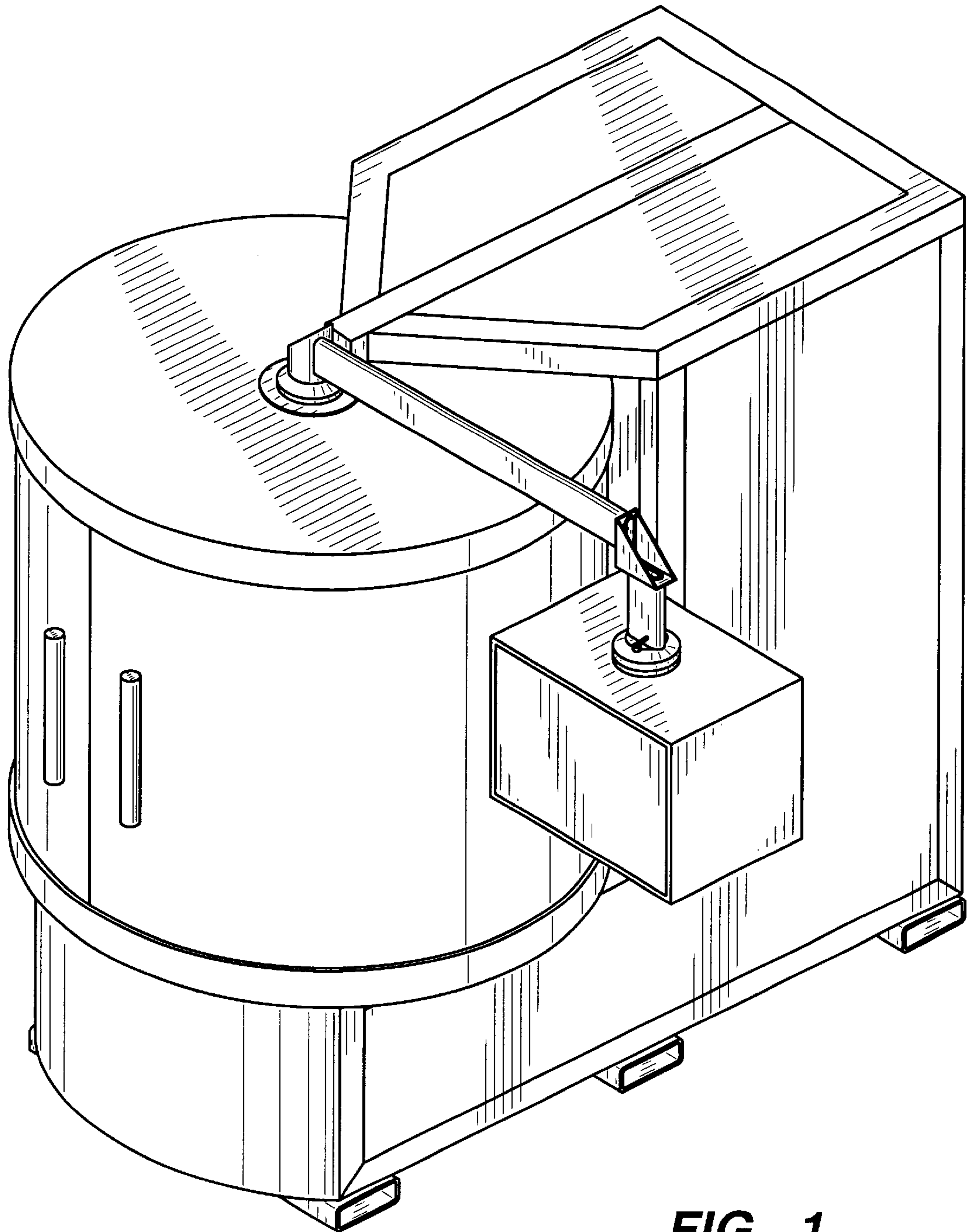


FIG. 1

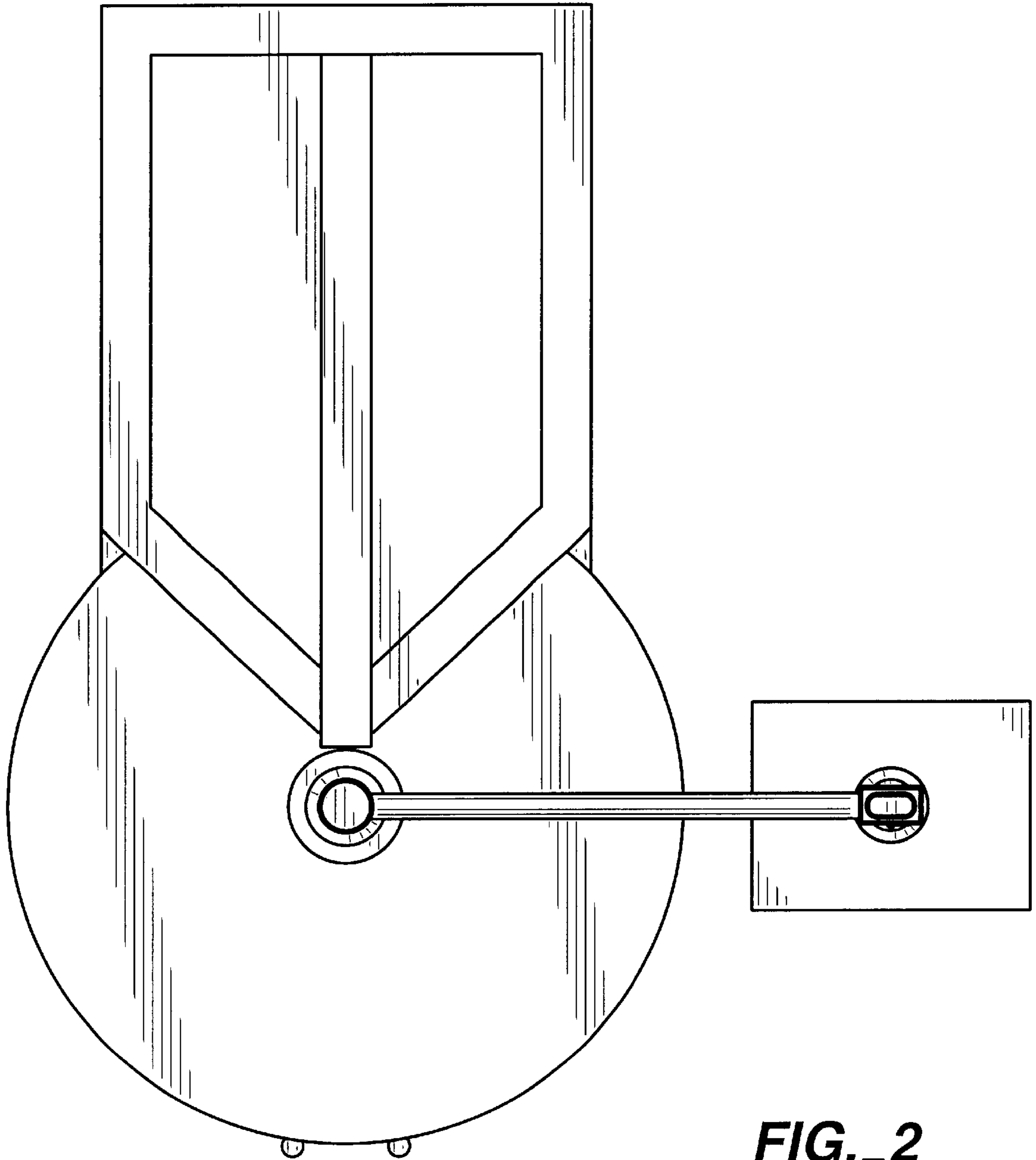


FIG. 2

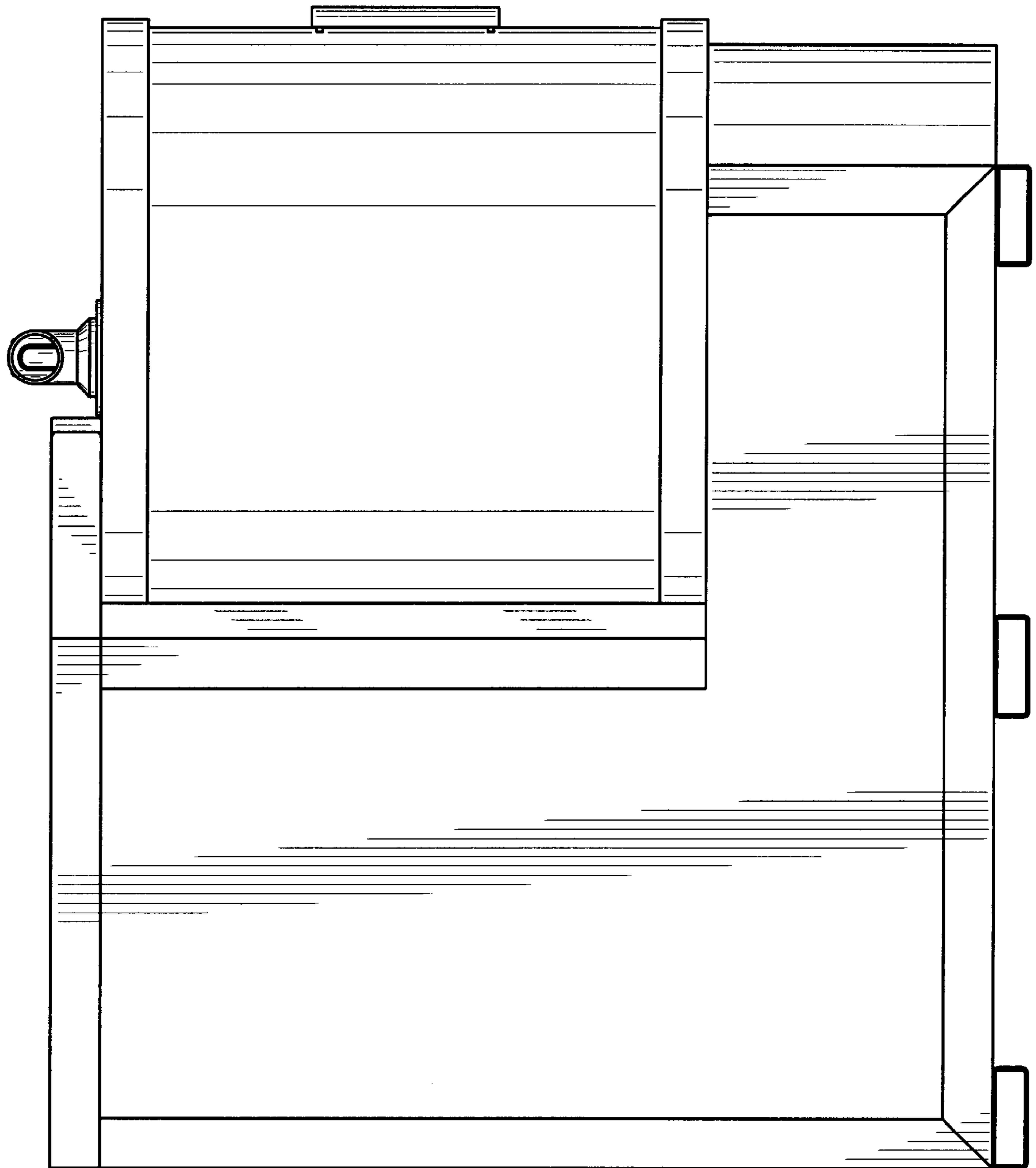


FIG.--3

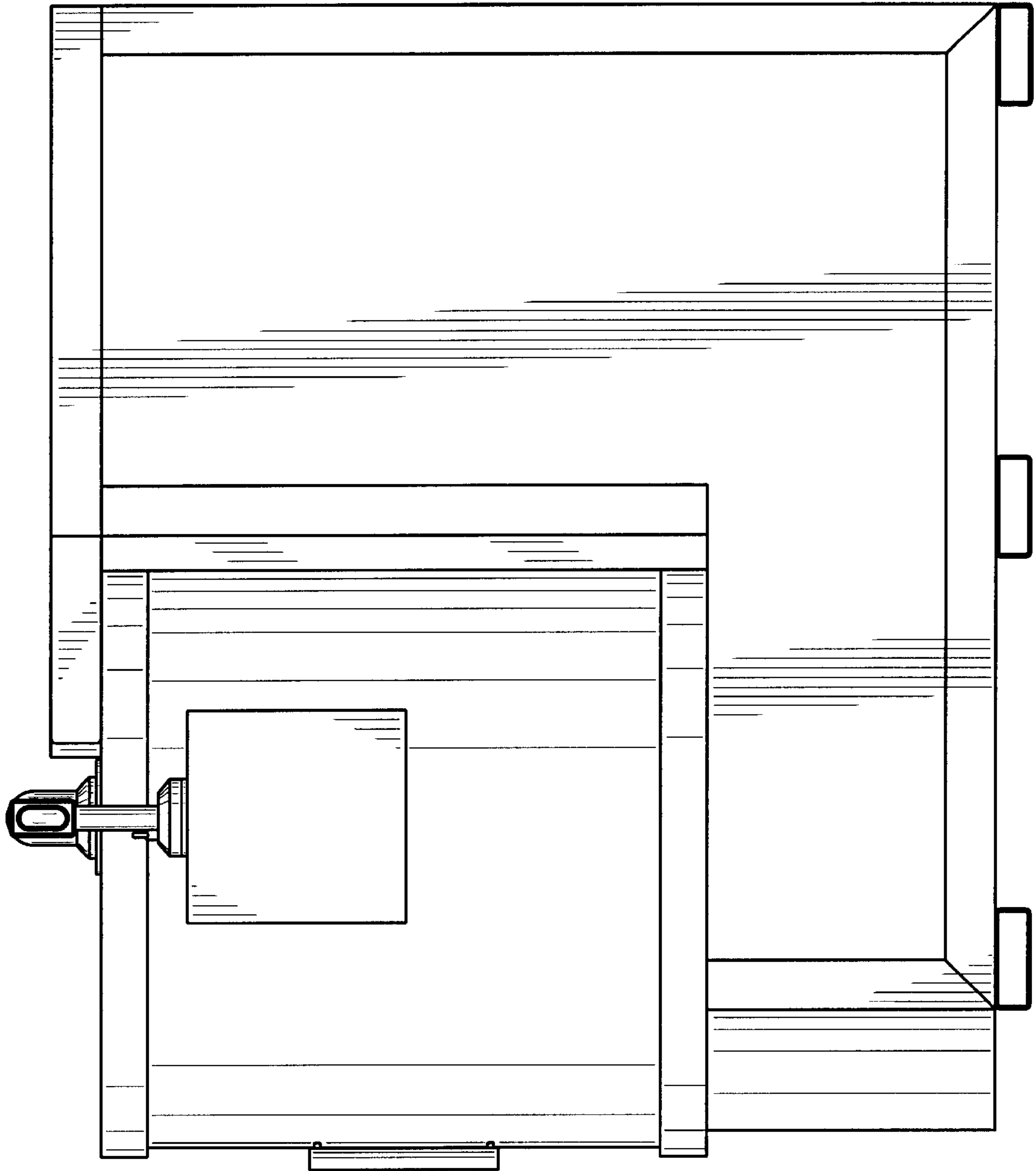


FIG. 4

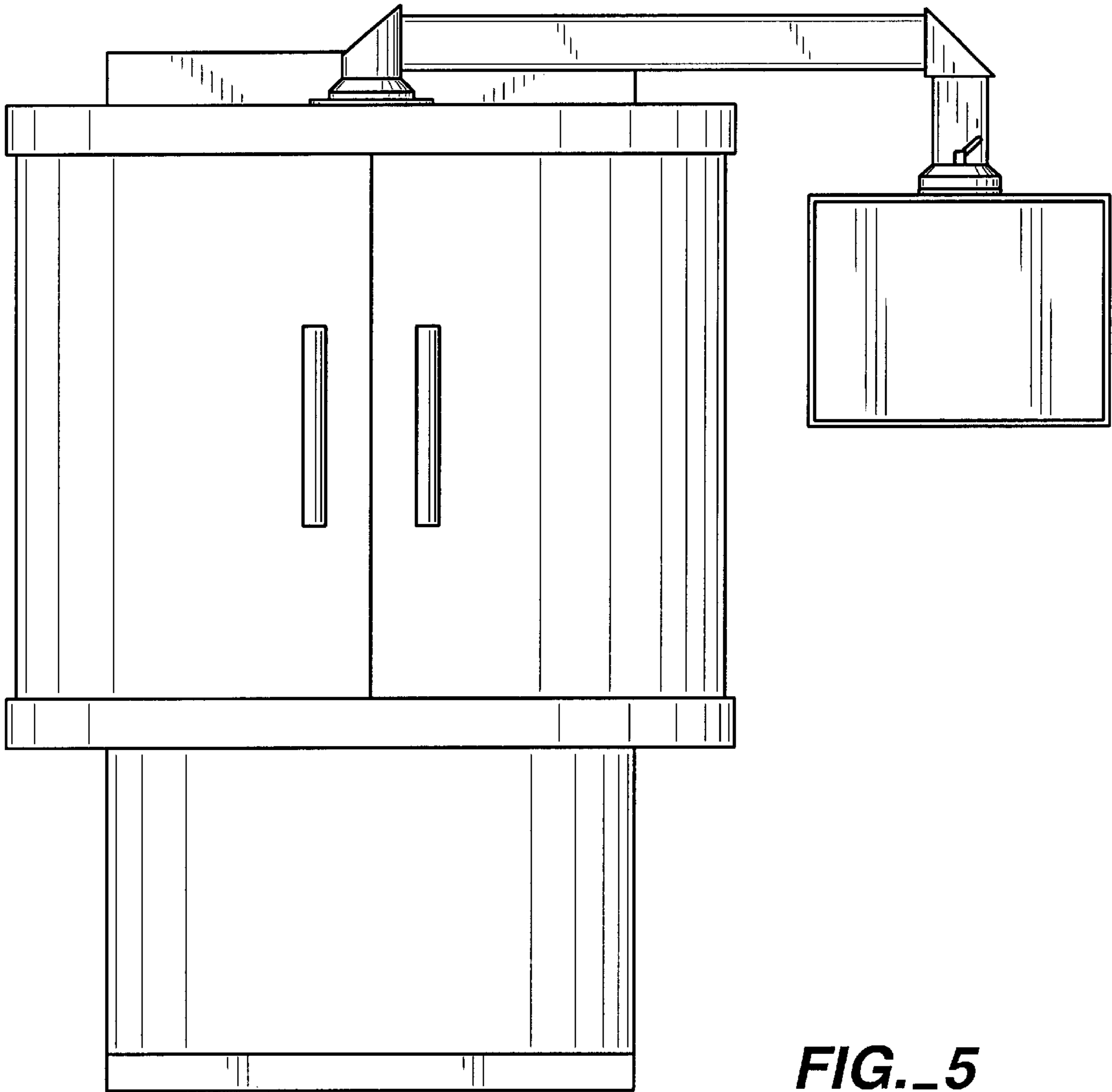


FIG. 5

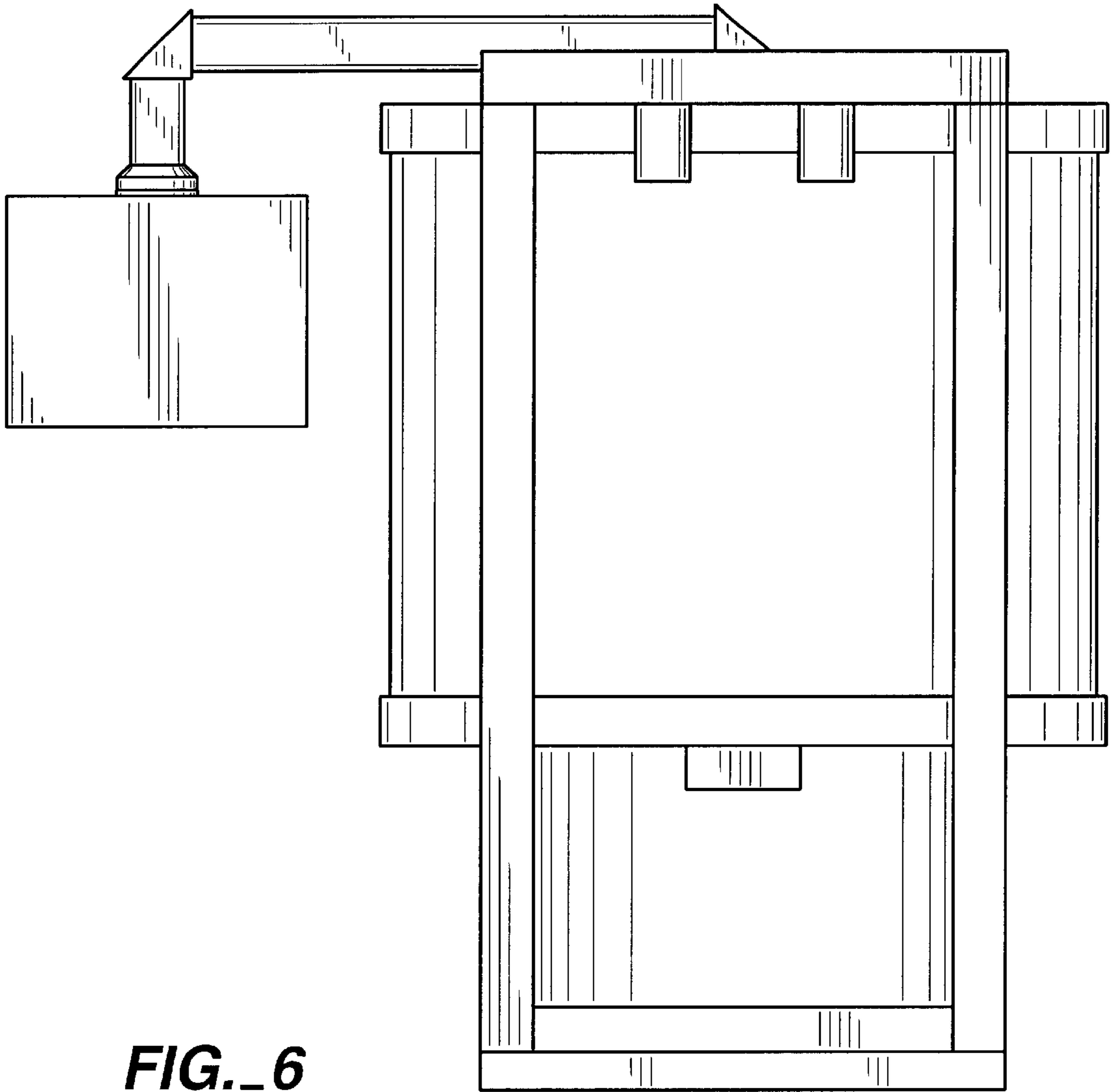


FIG. 6

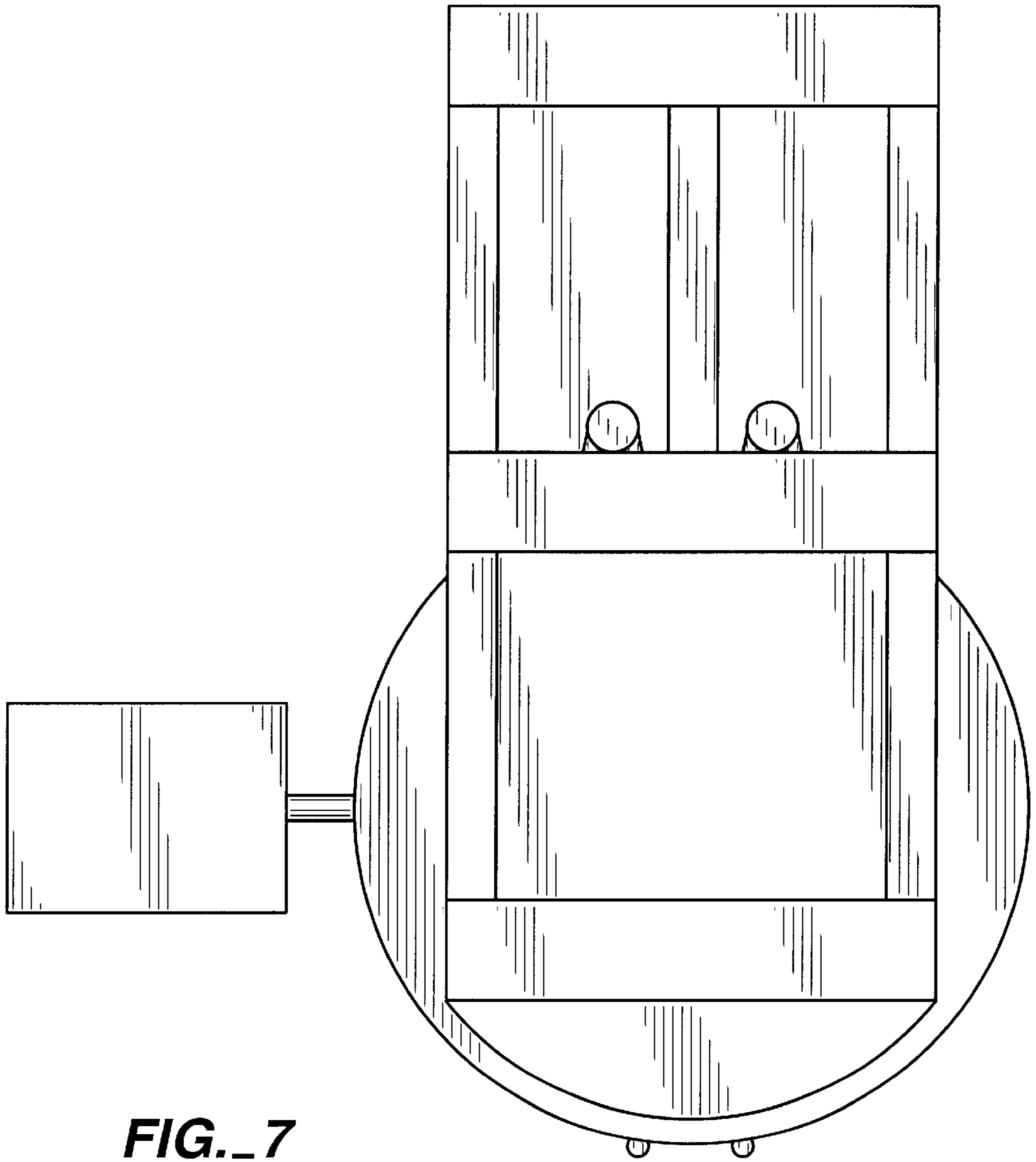


FIG. 7