



US00D459369S

(12) **United States Design Patent**
Yamamoto et al.

(10) **Patent No.:** **US D459,369 S**
(45) **Date of Patent:** **** Jun. 25, 2002**

(54) **SEWING MACHINE**

D450,720 S * 11/2001 Kuroki D15/69

(75) Inventors: **Shigemi Yamamoto; Shigemasa Kato,**
both of Chofu (JP)

* cited by examiner

(73) Assignee: **Juki Corporation,** Tokyo (JP)

Primary Examiner—Mitchell Siegel

(**) Term: **14 Years**

(74) *Attorney, Agent, or Firm*—Morgan & Finnegan LLP

(21) Appl. No.: **29/142,056**

(57) **CLAIM**

(22) Filed: **May 17, 2001**

The ornamental design for a sewing machine, as shown and described.

(30) **Foreign Application Priority Data**

DESCRIPTION

Nov. 17, 2000 (JP) 2000-032885

FIG. 1. is a front view of a sewing machine showing our new design.

(51) **LOC (7) Cl.** **15-06**

FIG. 2. is a back view thereof.

(52) **U.S. Cl.** **D15/69**

FIG. 3. is a left side view thereof.

(58) **Field of Search** D15/66-76; 112/258-261,
112/63, 217.1-219.4, 444

FIG. 4. is a right side view thereof.

FIG. 5. is a top plan view thereof.

FIG. 6. is a bottom plan view thereof.

(56) **References Cited**

FIG. 7. is a front, top and right side perspective view thereof; and,

U.S. PATENT DOCUMENTS

FIG. 8. is a cross-sectional view thereof taken along line 8-8 of FIG. 1.

D403,333 S * 12/1998 Takada et al. D15/70
D430,886 S * 9/2000 Yamamoto D15/69

1 Claim, 6 Drawing Sheets

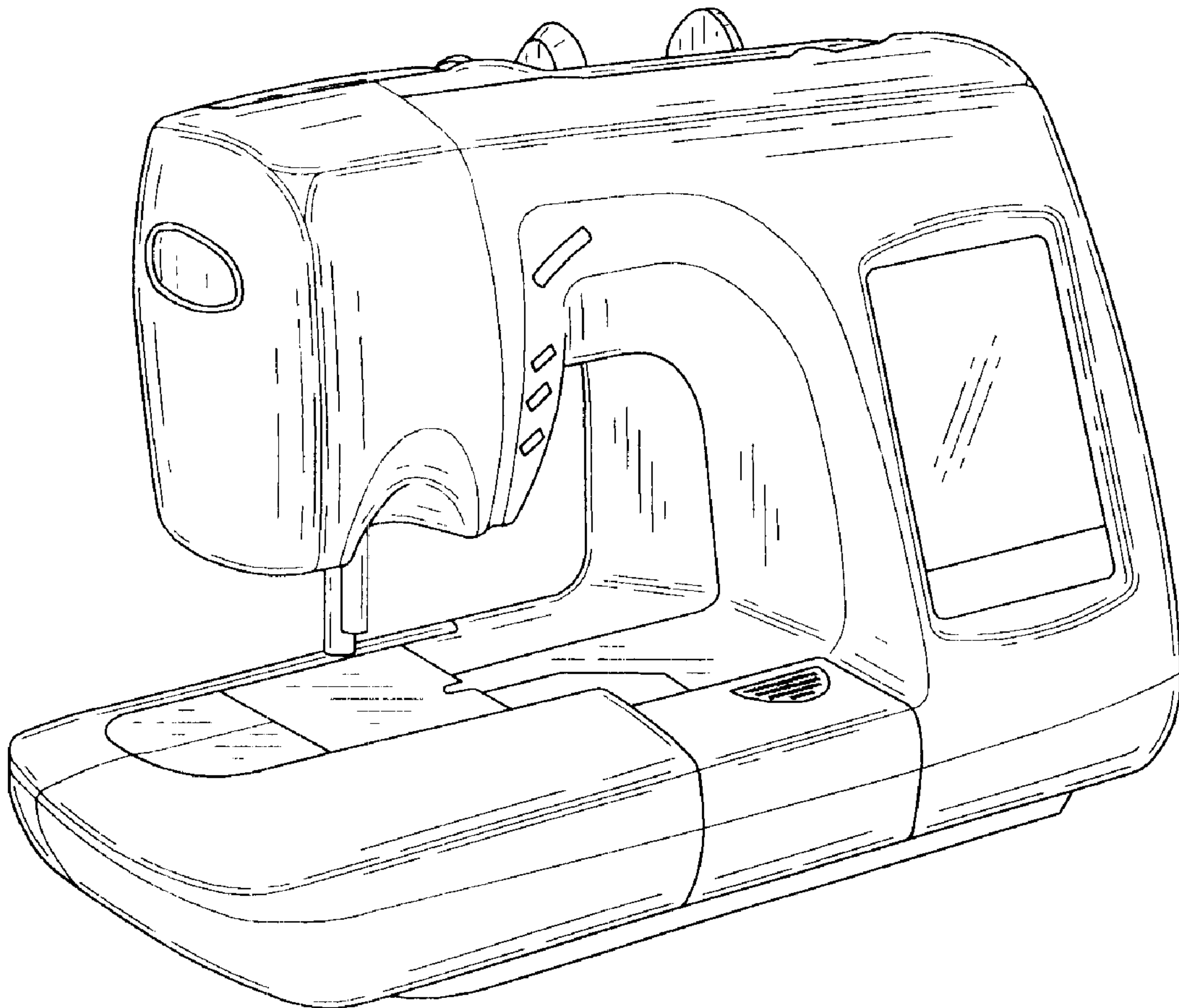


FIG. 1

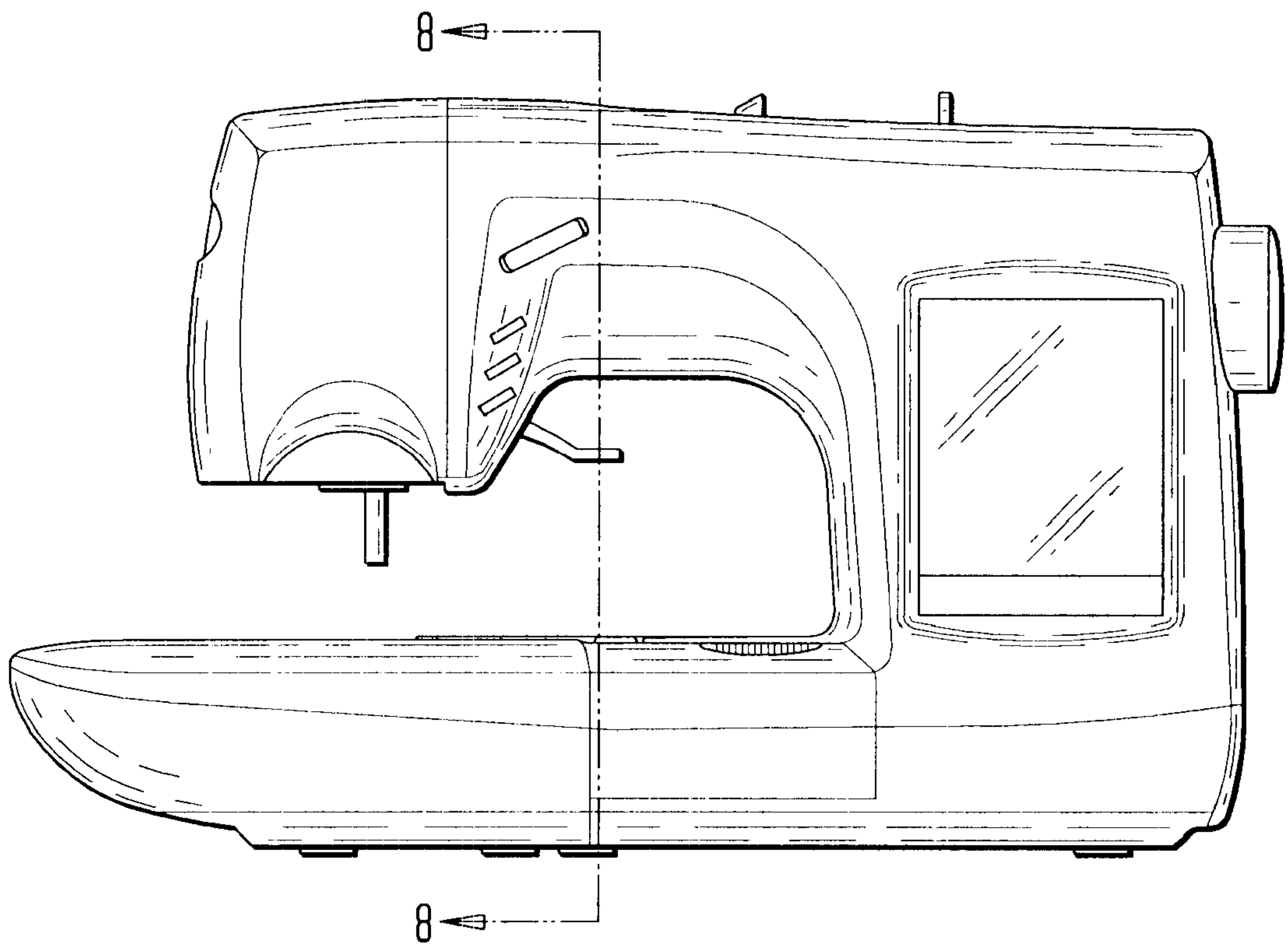


FIG. 2

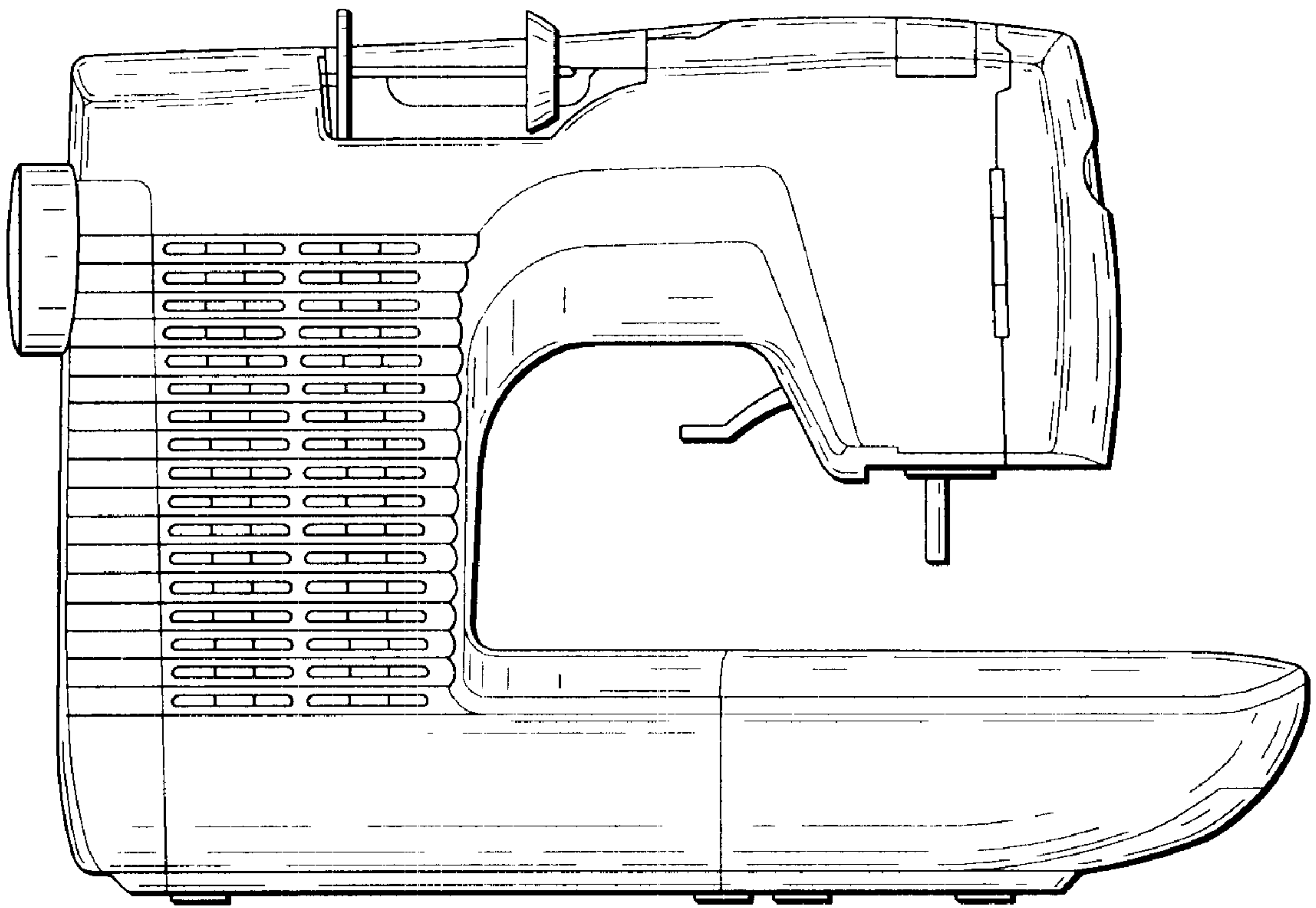


FIG. 3

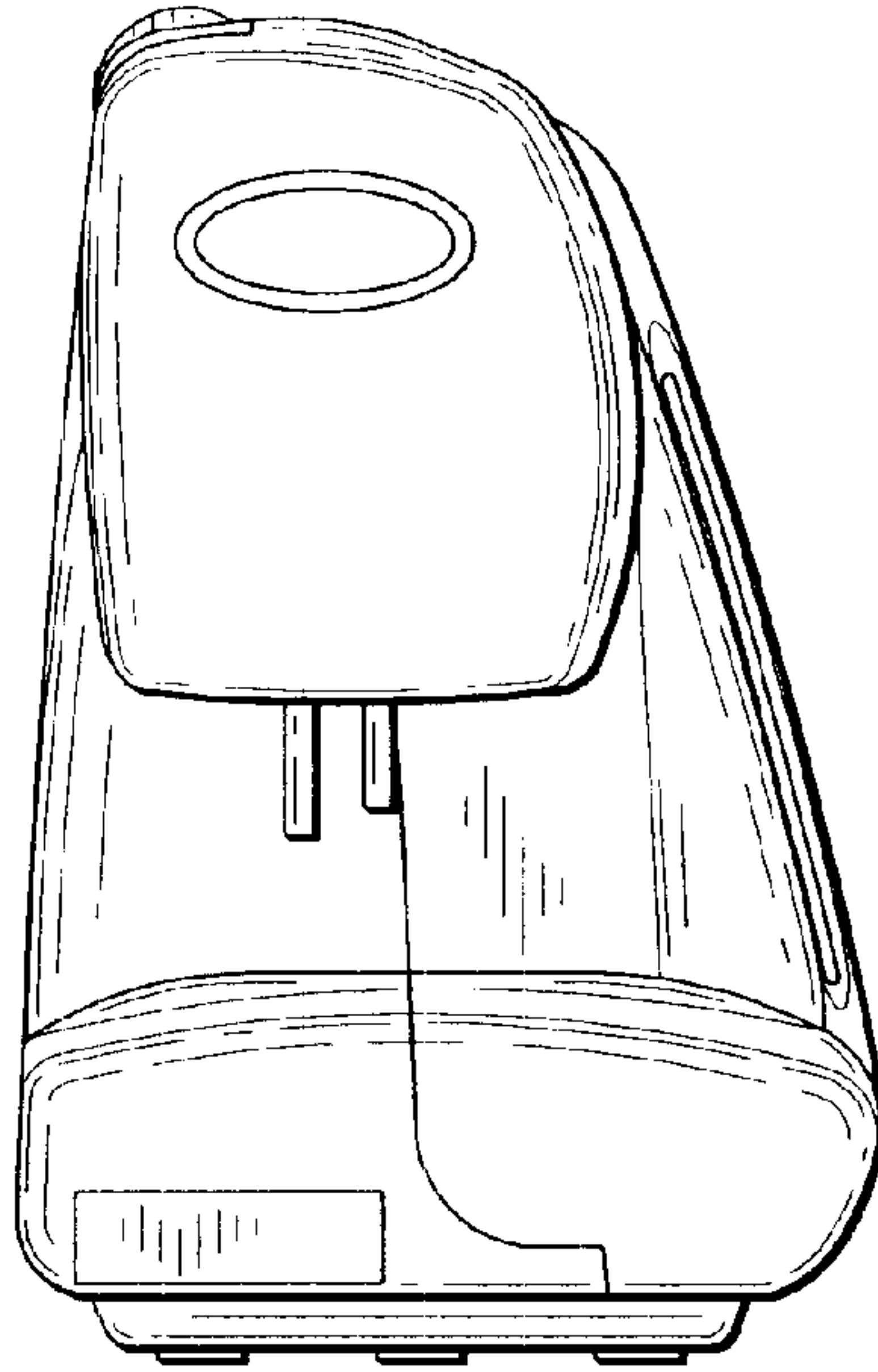


FIG. 4

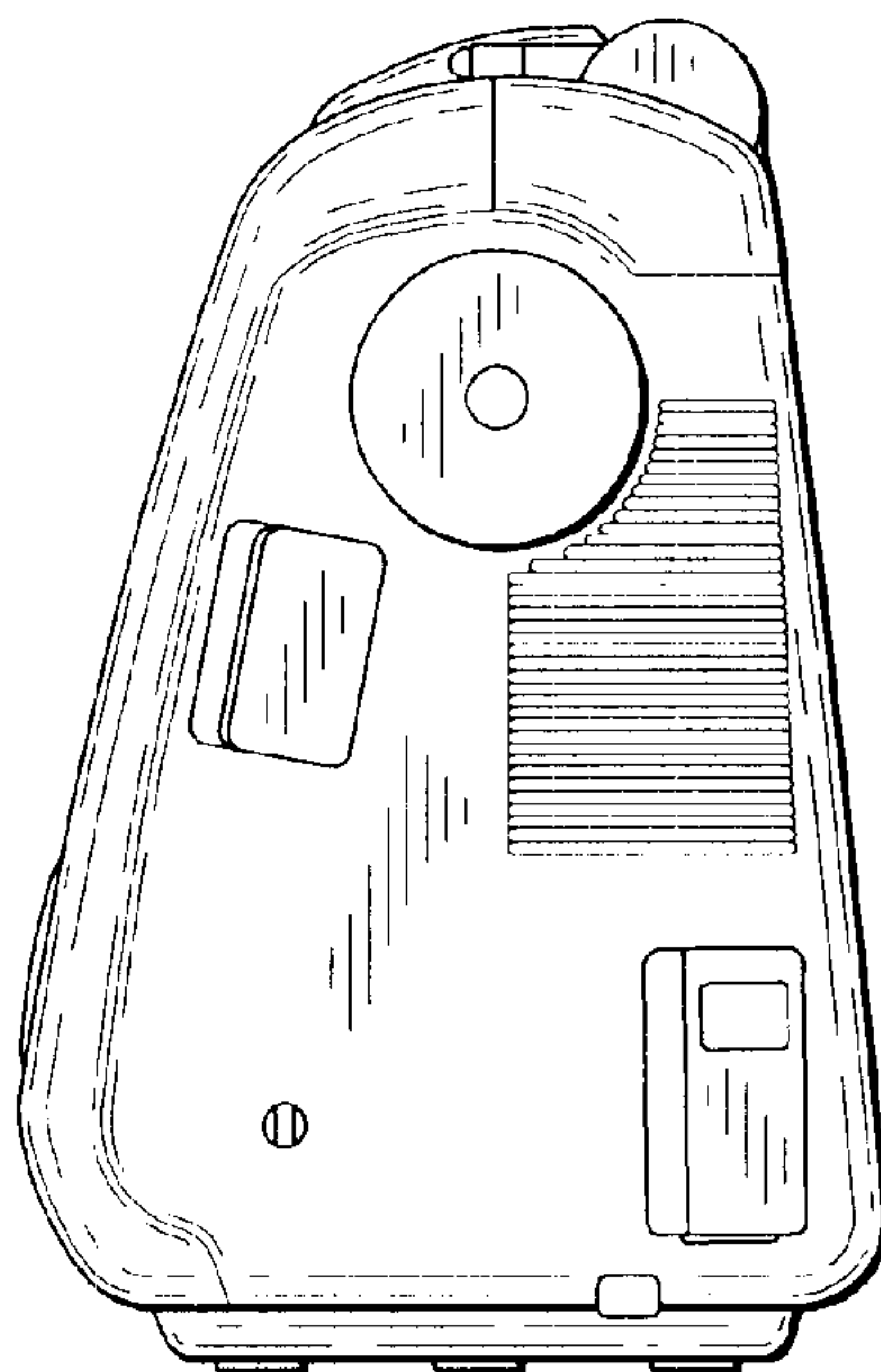


FIG. 5

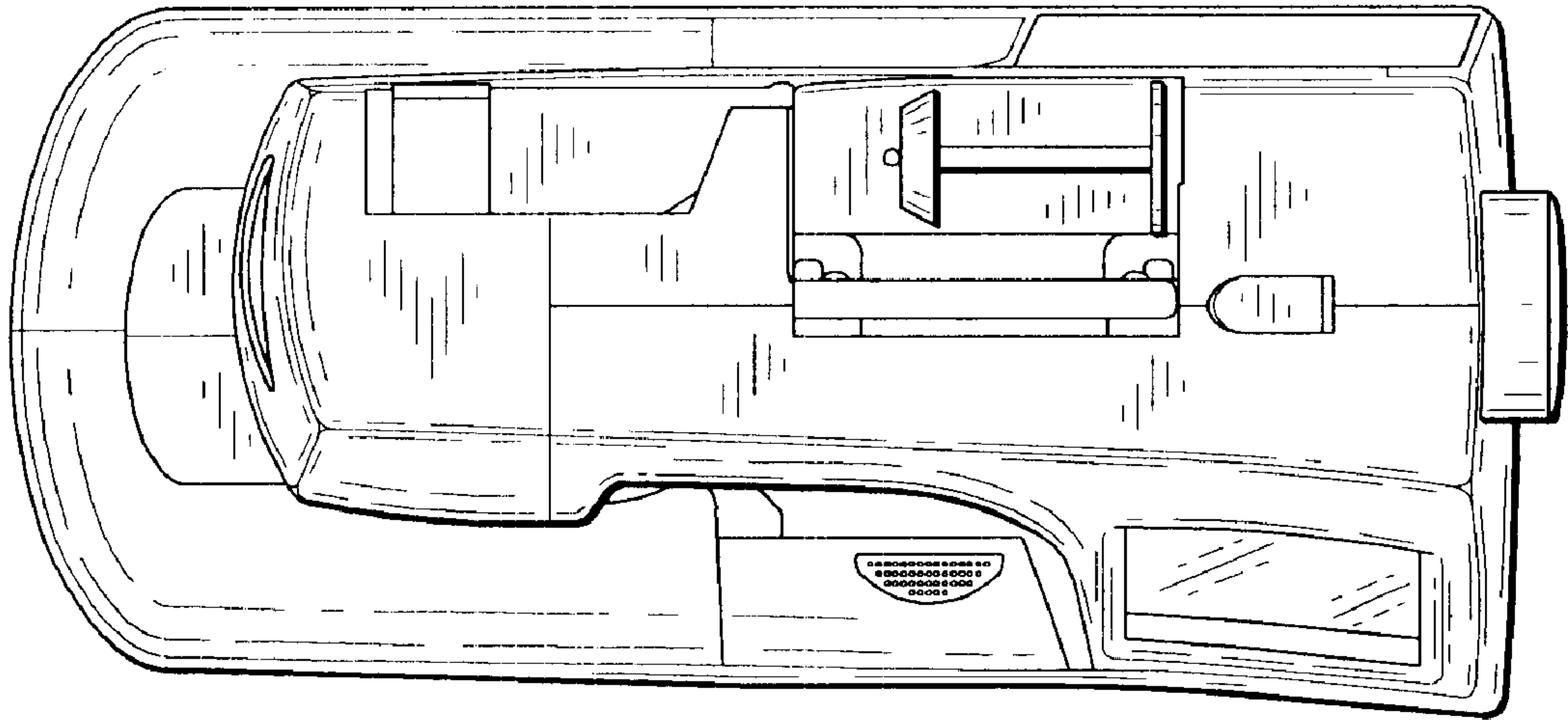


FIG. 6

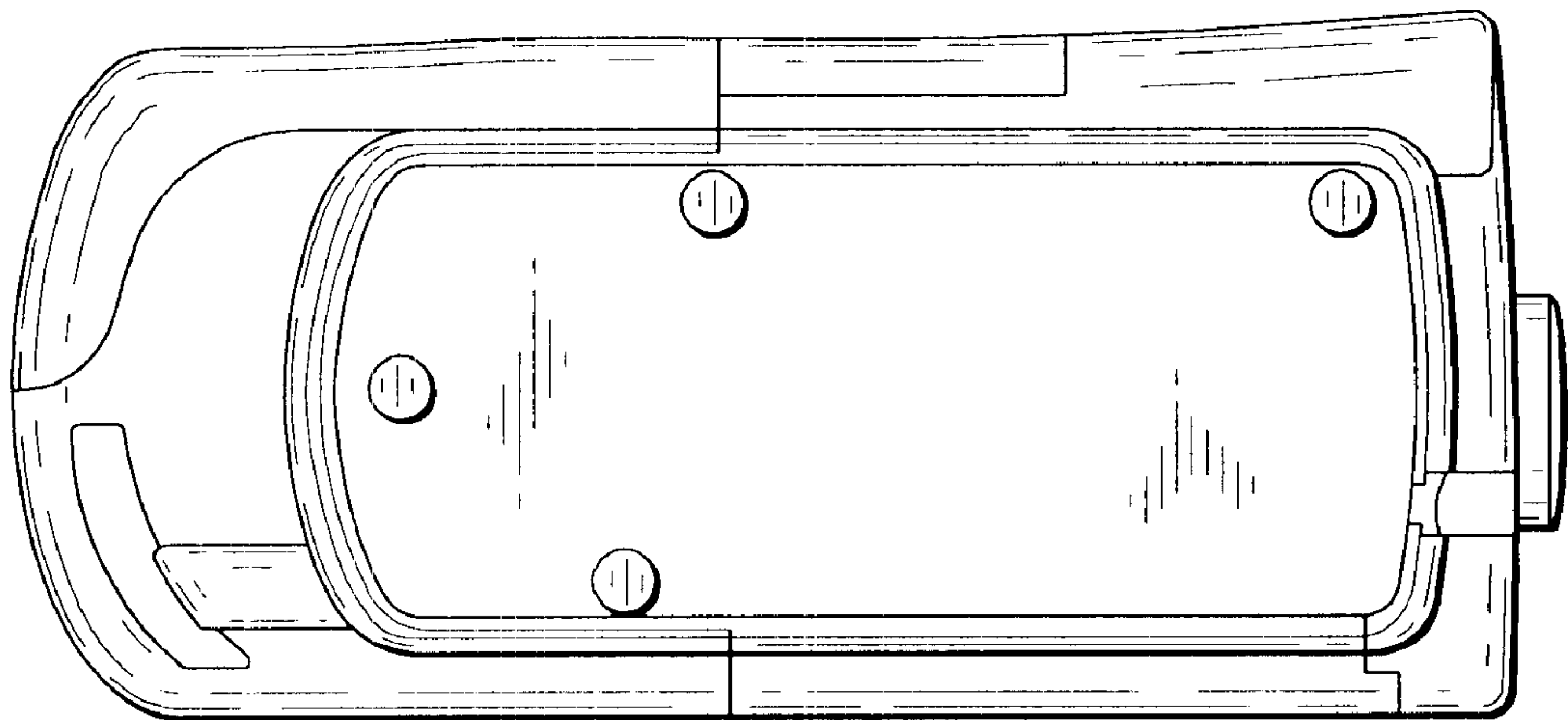


FIG. 7

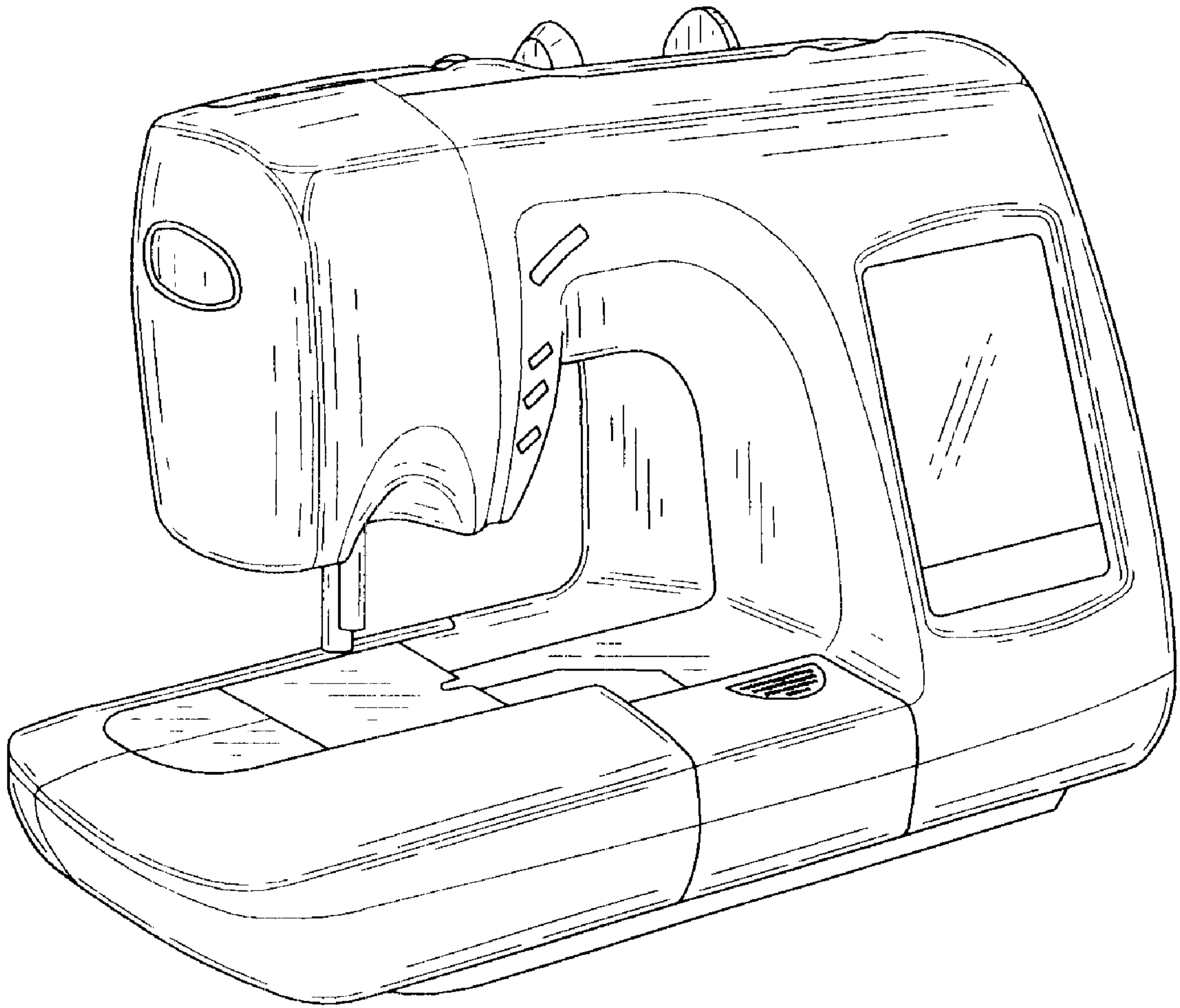


FIG. 8

