



US00D459367S

(12) **United States Design Patent**
Hama

(10) **Patent No.:** **US D459,367 S**

(45) **Date of Patent:** **** Jun. 25, 2002**

(54) **MIXING BLADE FOR A CONCRETE MIXER**

5,839,824 A * 11/1998 Backman et al. 366/59

(75) Inventor: **Shunsuke Hama**, Neyagawa (JP)

* cited by examiner

(73) Assignee: **KYC Machine Industry Co., Ltd.**,
Osaka (JP)

Primary Examiner—Mitchell Siegel

(74) *Attorney, Agent, or Firm*—R. Neil Sudol; Henry
Coleman; William Sapone

(**) Term: **14 Years**

(57) **CLAIM**

(21) Appl. No.: **29/142,544**

The ornamental design for a mixing blade for a concrete
mixer, as shown and described.

(22) Filed: **May 29, 2001**

(30) **Foreign Application Priority Data**

DESCRIPTION

Dec. 18, 2000 (JP) 2000-036100

FIG. 1 is a perspective view of a mixing blade for a concrete
mixer embodying my new design;

(51) **LOC (7) Cl.** **15-03**

FIG. 2 is a top plan view thereof;

(52) **U.S. Cl.** **D15/28**

FIG. 3 is a front elevational view thereof;

(58) **Field of Search** D15/11, 28; 366/57,
366/59, 45, 227, 229

FIG. 4 is a rear elevational view thereof;

FIG. 5 is a left side elevational view thereof;

(56) **References Cited**

FIG. 6 is a right side elevational view thereof; and,

FIG. 7 is a bottom plan view thereof.

U.S. PATENT DOCUMENTS

4,963,032 A * 10/1990 Strehlow 366/57

1 Claim, 3 Drawing Sheets

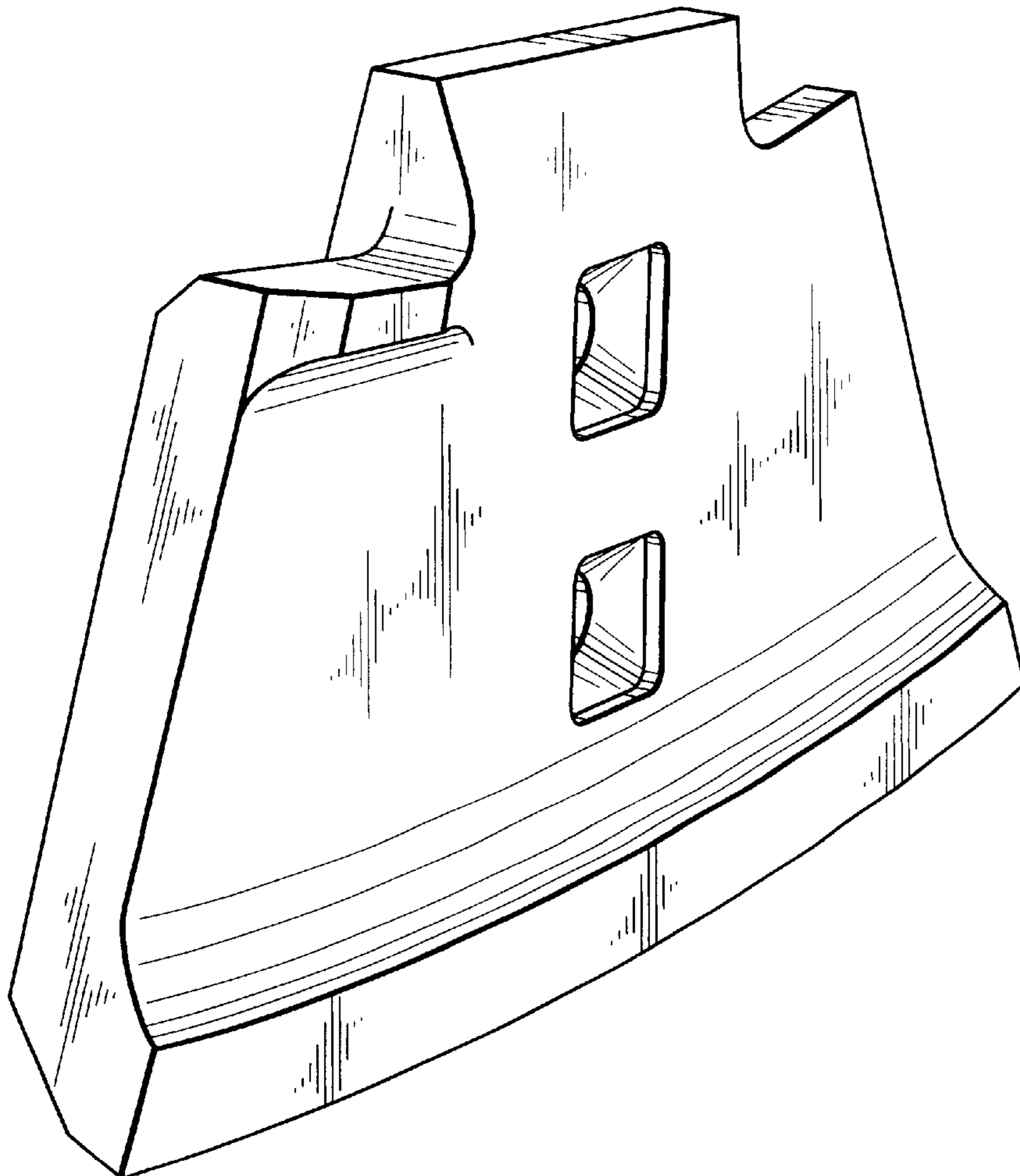


FIG. 1

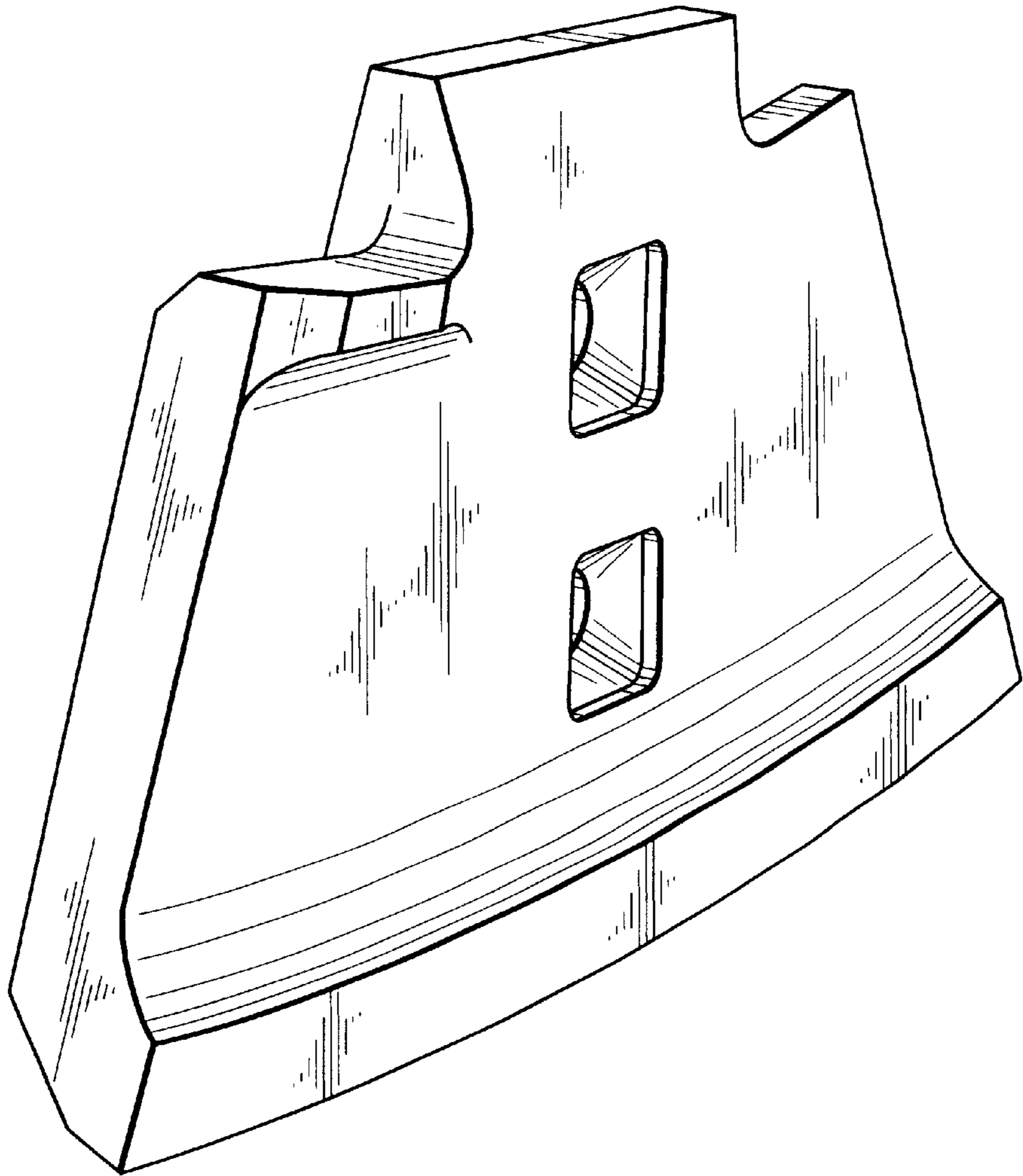


FIG. 2

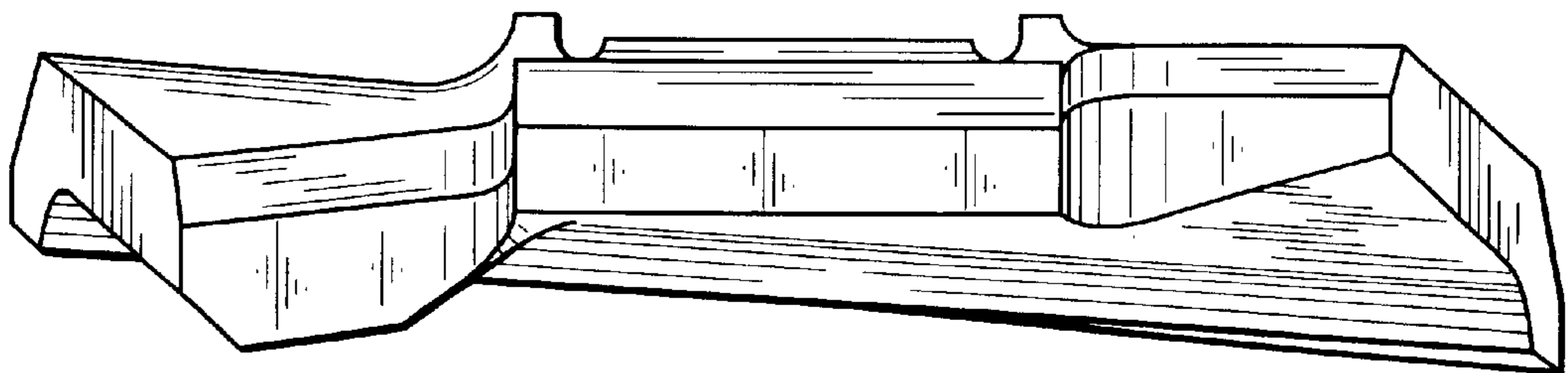


FIG. 3

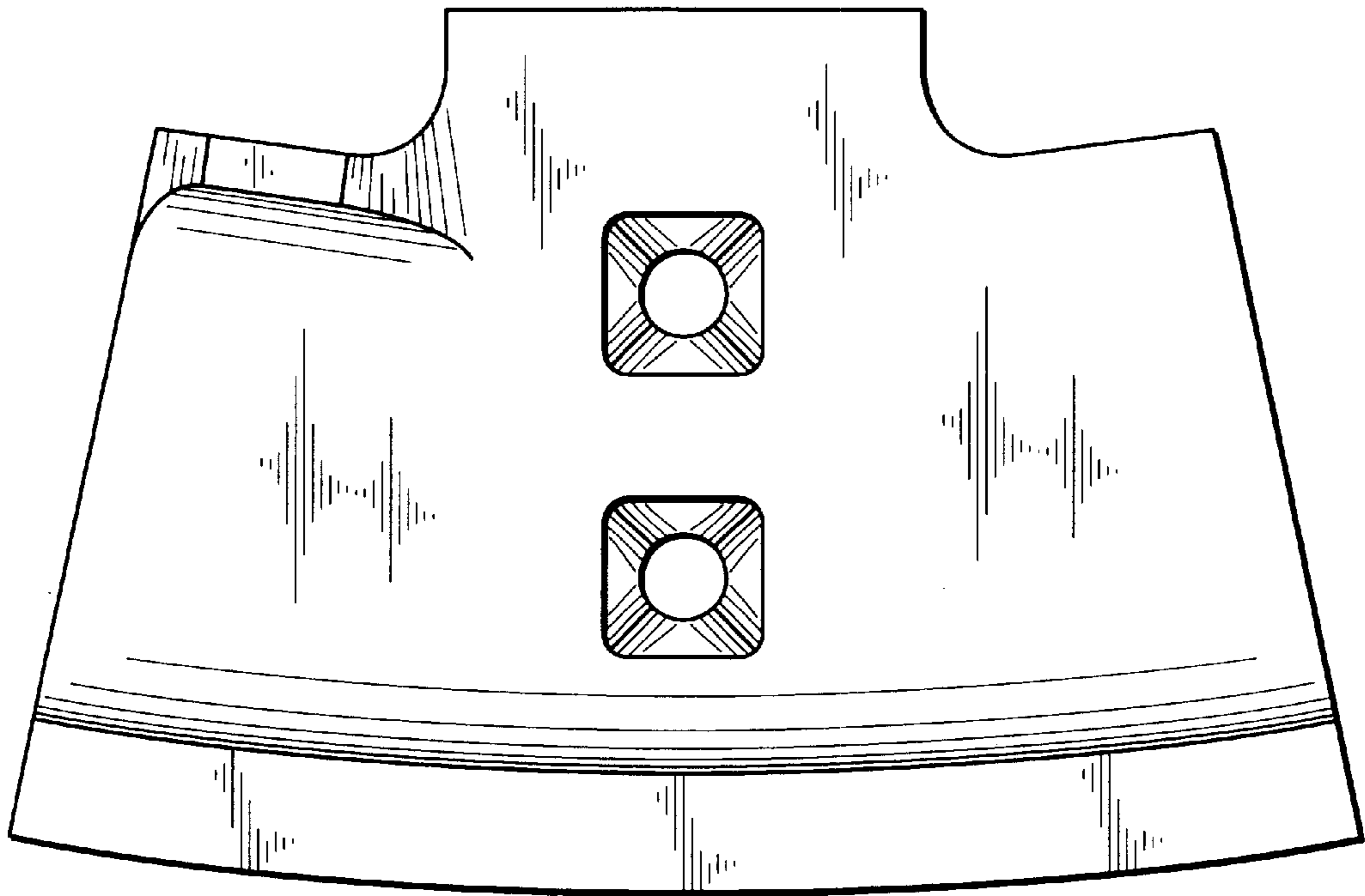


FIG. 4

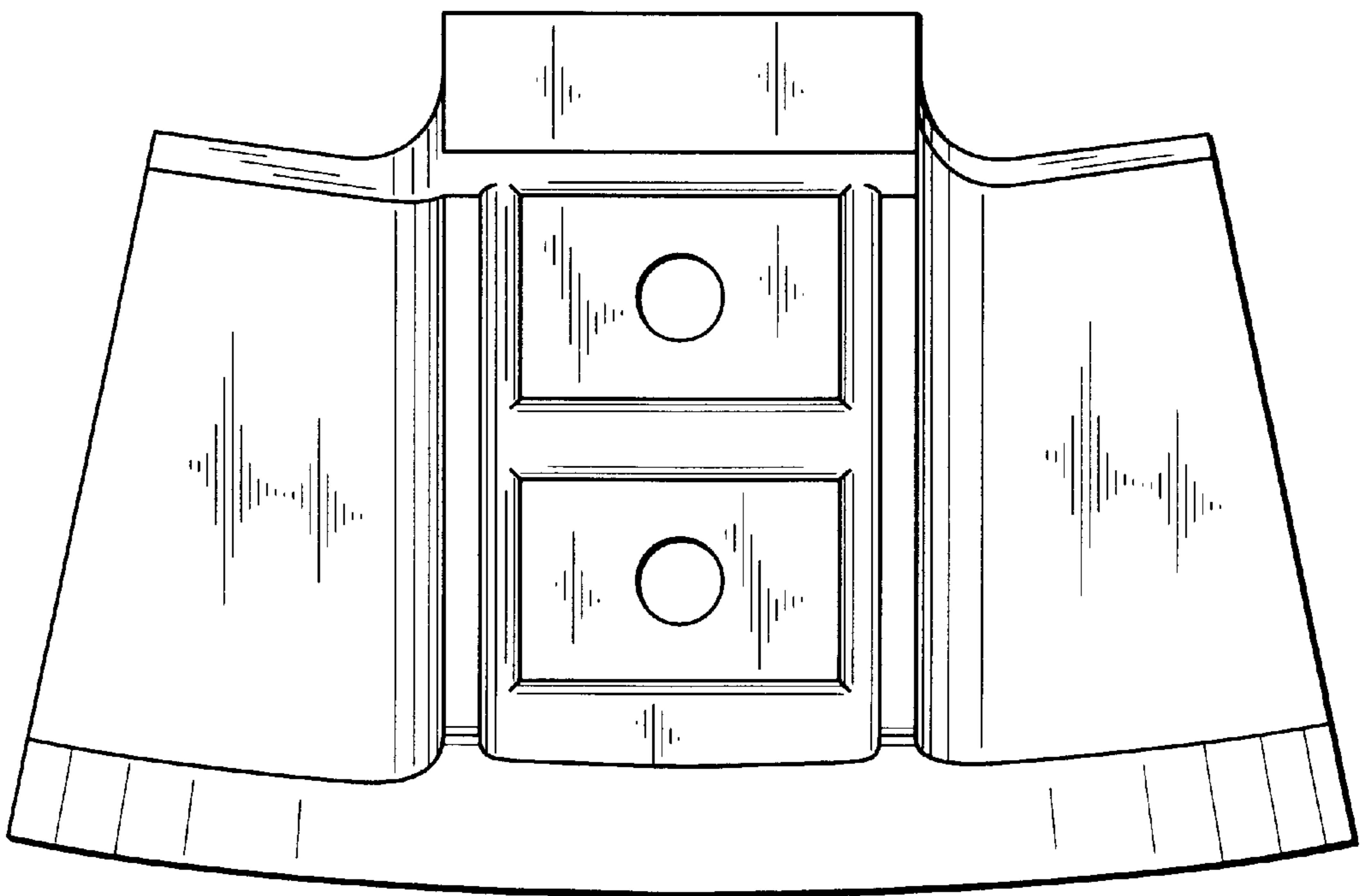


FIG. 5



FIG. 6



FIG. 7

