



US00D459364S

(12) **United States Design Patent**
Van Den Brink et al.

(10) **Patent No.:** **US D459,364 S**

(45) **Date of Patent:** **** Jun. 25, 2002**

(54) **EVAPORATOR FOR LIQUID PETROLEUM GAS**

D392,647 S * 3/1998 Ueda et al. D15/1
D401,596 S * 11/1998 Yukami D15/1
D405,802 S * 2/1999 Yukami D15/1

(75) Inventors: **Alfred Van Den Brink**, Barneveld;
Gerardus Hermanus Philipus Maria Jansen, Doorwerth, both of (NL)

* cited by examiner

(73) Assignee: **Autogas Techniek Holland B.V.** (NL)

Primary Examiner—Melody N. Brown

(74) *Attorney, Agent, or Firm*—Bell, Boyd & Lloyd LLC

(**) Term: **14 Years**

(57) **CLAIM**

(21) Appl. No.: **29/125,098**

The ornamental design of an evaporator for liquid petroleum gas, as shown and described.

(22) Filed: **Jun. 19, 2000**

DESCRIPTION

(51) **LOC (7) Cl.** **15-01**

(52) **U.S. Cl.** **D15/5**

(58) **Field of Search** D15/1-6; 123/478,
123/311, 317, 319, 198 E; 261/65; 60/226.1,
226.3, 609, 612

FIG. 1 is a top plan view of an evaporator for liquid petroleum gas in accordance with the present invention; FIG. 2 is a bottom plan view of the device of FIG. 1; FIG. 3 is a side elevational view of the device of FIG. 1; FIG. 4 is a front elevational view of the device of FIG. 1; and, FIG. 5 is a back elevational view of the device of FIG. 1.

(56) **References Cited**

U.S. PATENT DOCUMENTS

D253,824 S * 1/1980 Hargrave D15/3

1 Claim, 3 Drawing Sheets

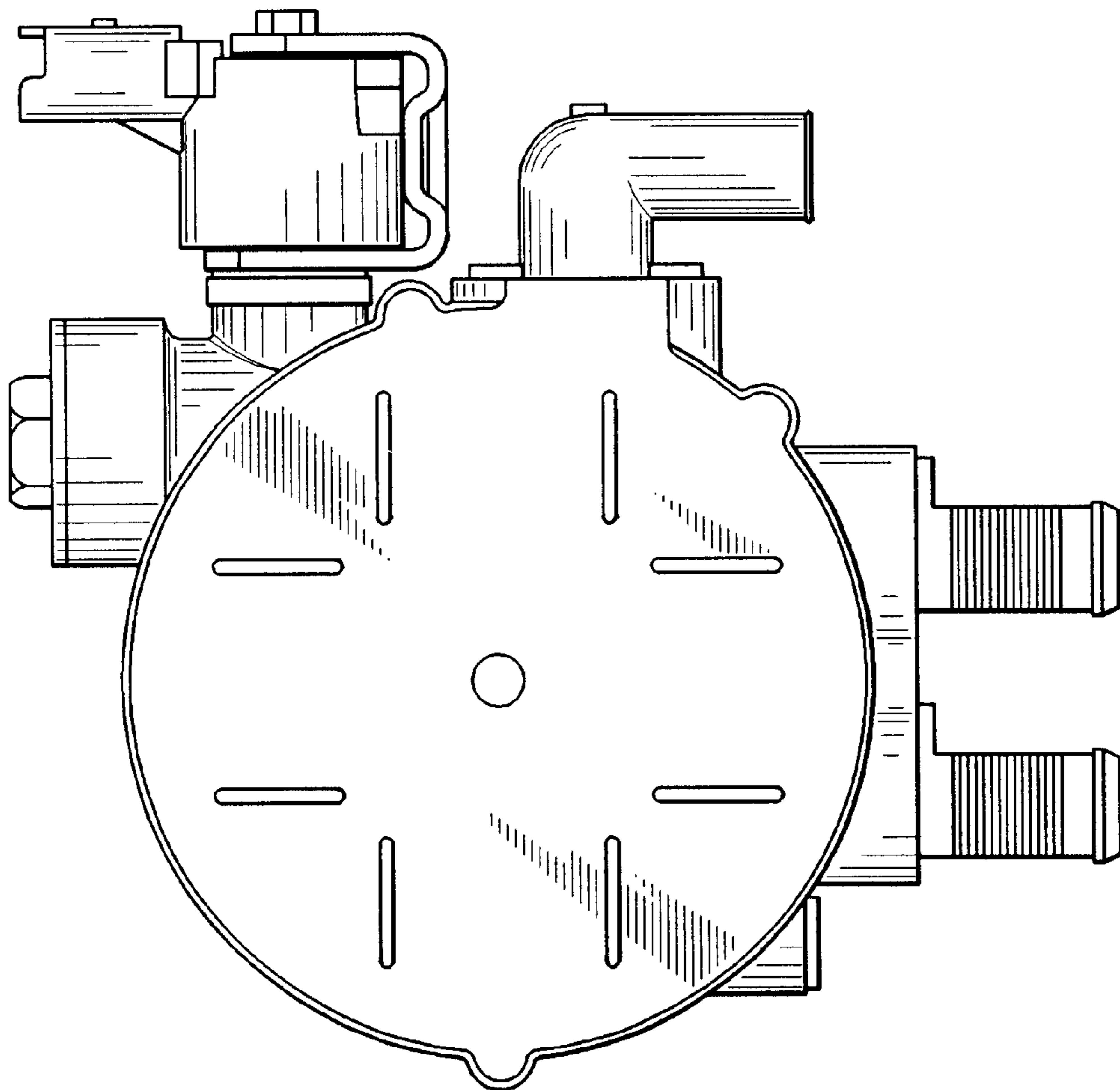


FIG. 1

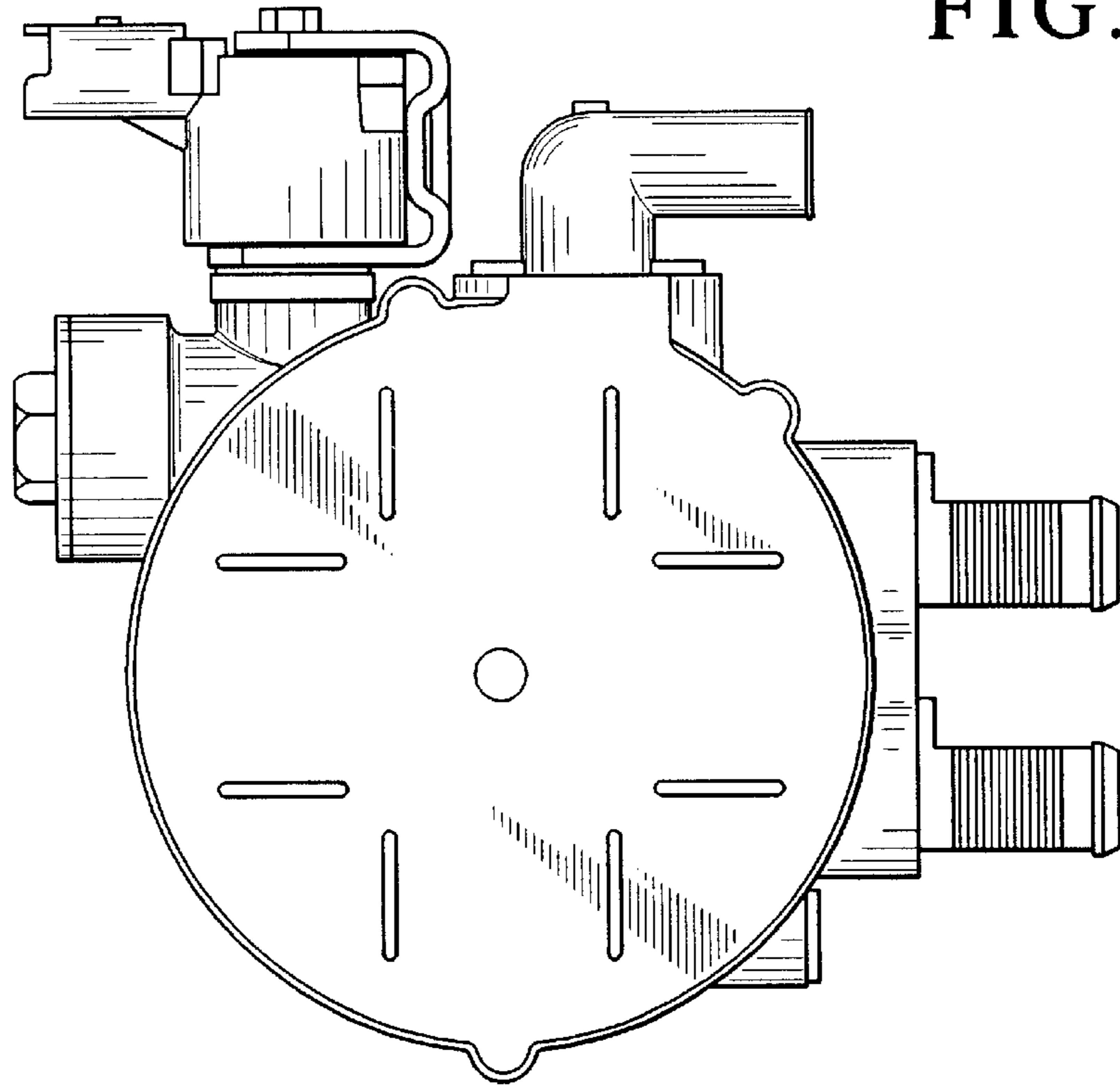


FIG. 2

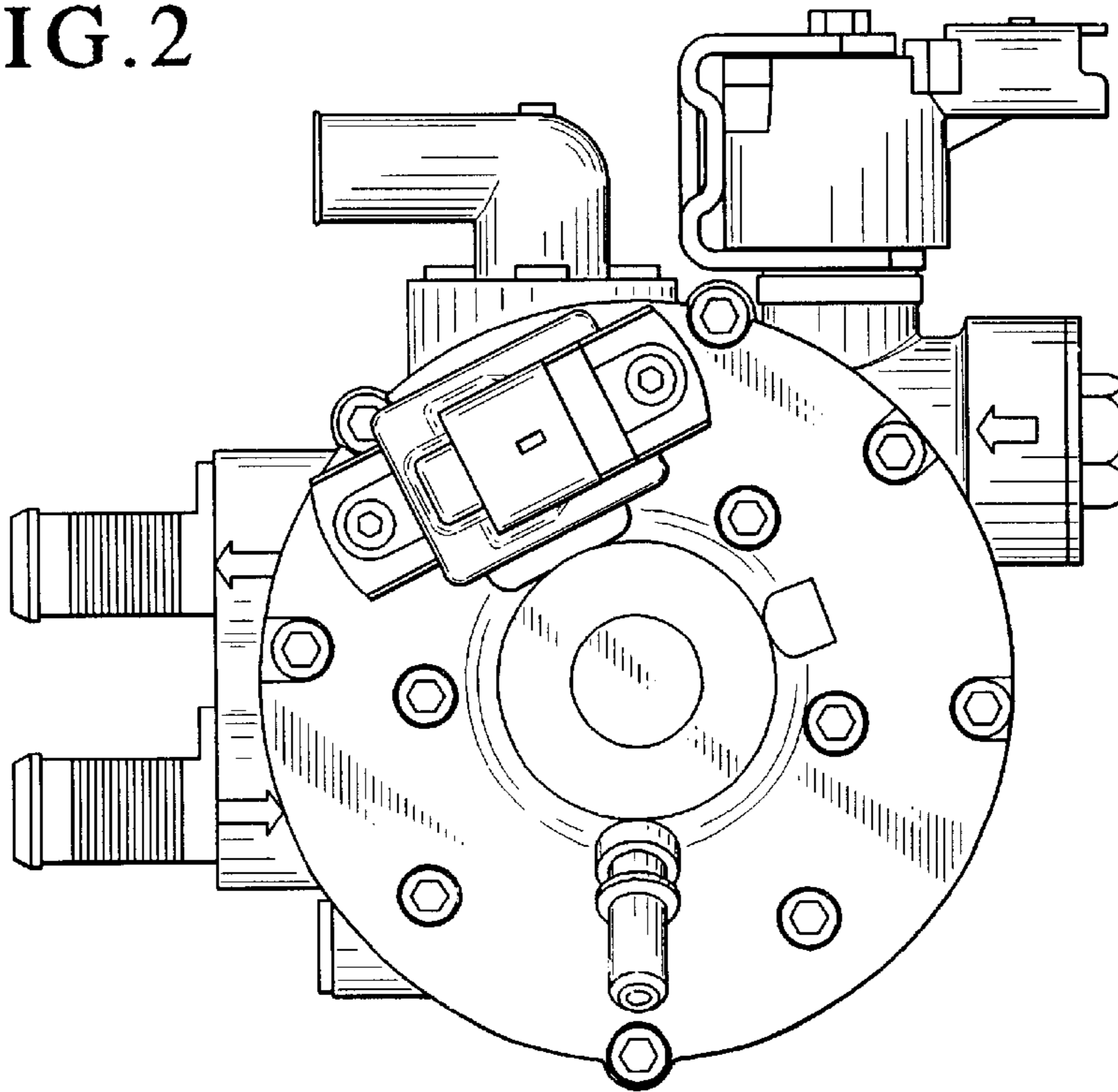


FIG. 3

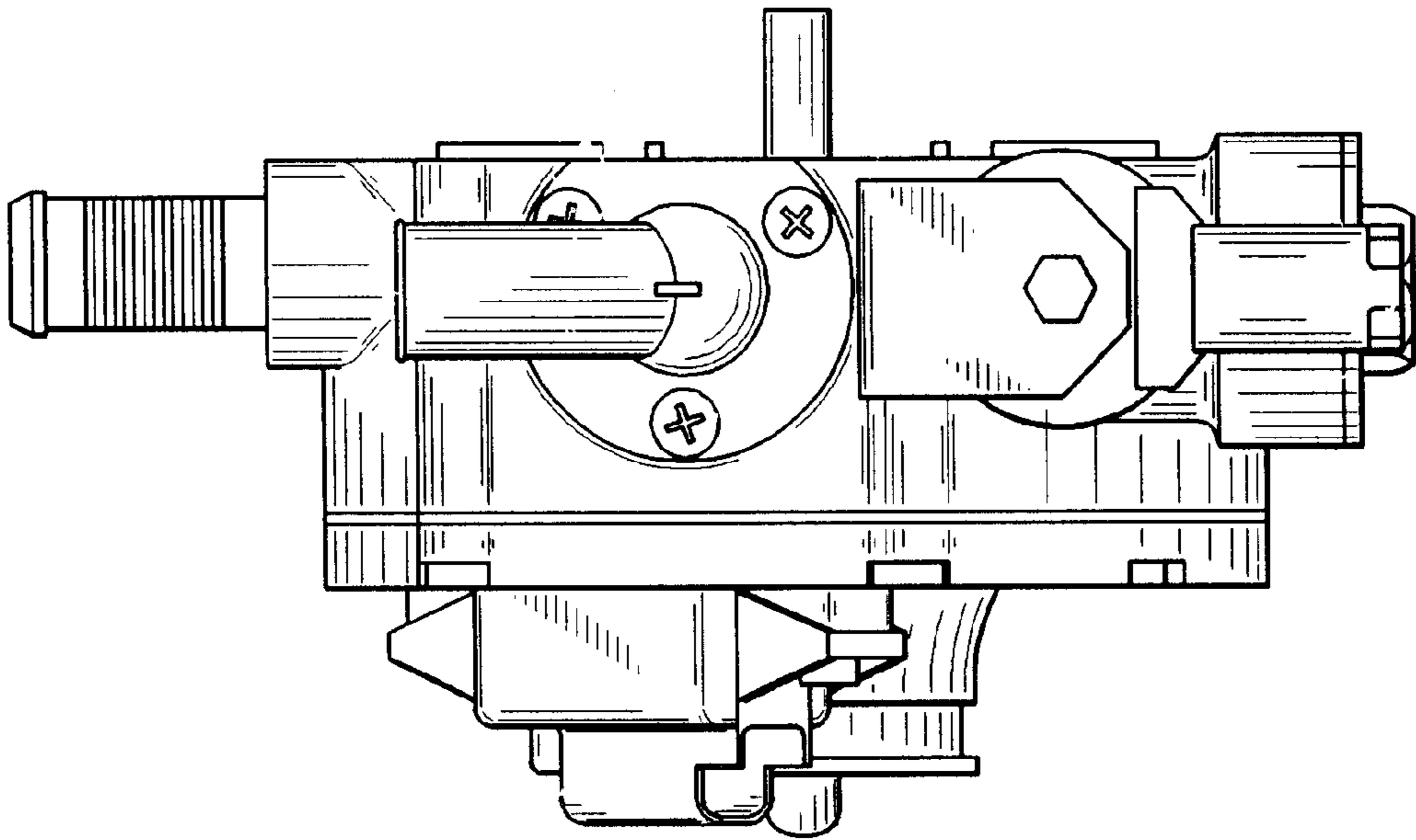


FIG. 4

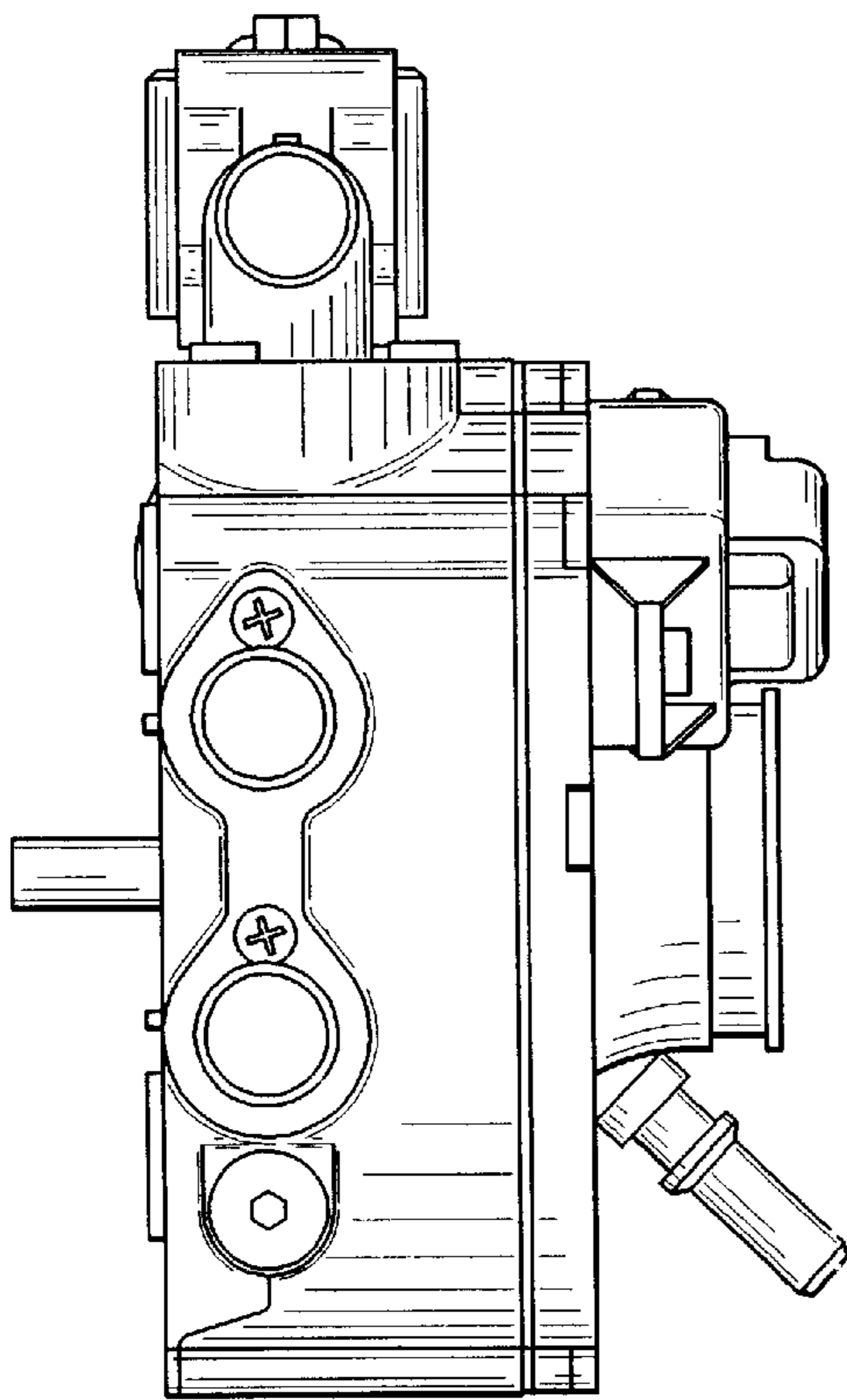


FIG. 5

