



US00D459357S

(12) **United States Design Patent** (10) **Patent No.:** **US D459,357 S**
Lo (45) **Date of Patent:** **** Jun. 25, 2002**

(54) **FACE BOARD FOR COMPUTER**
 (76) Inventor: **Wentai Lo**, No. 47, Da Chuan Street,
 West Dist., Taichung (TW), 403
 (**) Term: **14 Years**
 (21) Appl. No.: **29/143,996**
 (22) Filed: **Jun. 25, 2001**
 (51) **LOC (7) Cl.** **14-02**
 (52) **U.S. Cl.** **D14/444**
 (58) **Field of Search** D14/441-446;
 D13/162, 184, 199; 312/223.2; 361/680-686,
 690-696

Primary Examiner—Freda Nunn
(74) Attorney, Agent, or Firm—Charles E. Baxley

(57) **CLAIM**

The ornamental design for a face board for computer, as shown and described.

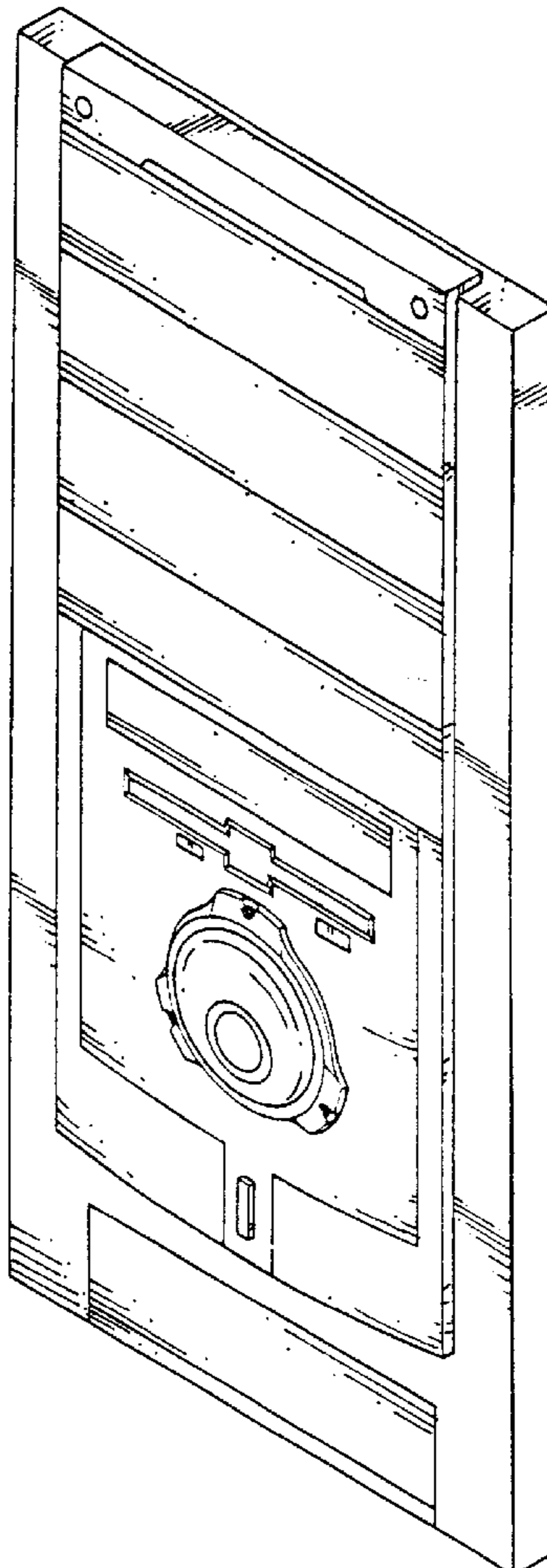
DESCRIPTION

FIG. 1 is a perspective view of a face board for computer showing my new design;
 FIG. 2 is a front elevational view thereof;
 FIG. 3 is a rear elevational view thereof;
 FIG. 4 is a top plan view thereof;
 FIG. 5 is a bottom plan view thereof;
 FIG. 6 is a left side elevational view thereof;
 FIG. 7 is a right side elevational view thereof; and,
 FIG. 8 is a perspective view thereof, the computer body depicted by means of broken lines being for illustrative purposes only and forming no part of the claimed design.

(56) **References Cited**
U.S. PATENT DOCUMENTS
 D381,327 S * 7/1997 Su D14/444
 D390,216 S * 2/1998 Lai D14/444
 D409,176 S * 5/1999 Lai D14/445
 D413,111 S * 8/1999 Su D14/444

* cited by examiner

1 Claim, 3 Drawing Sheets



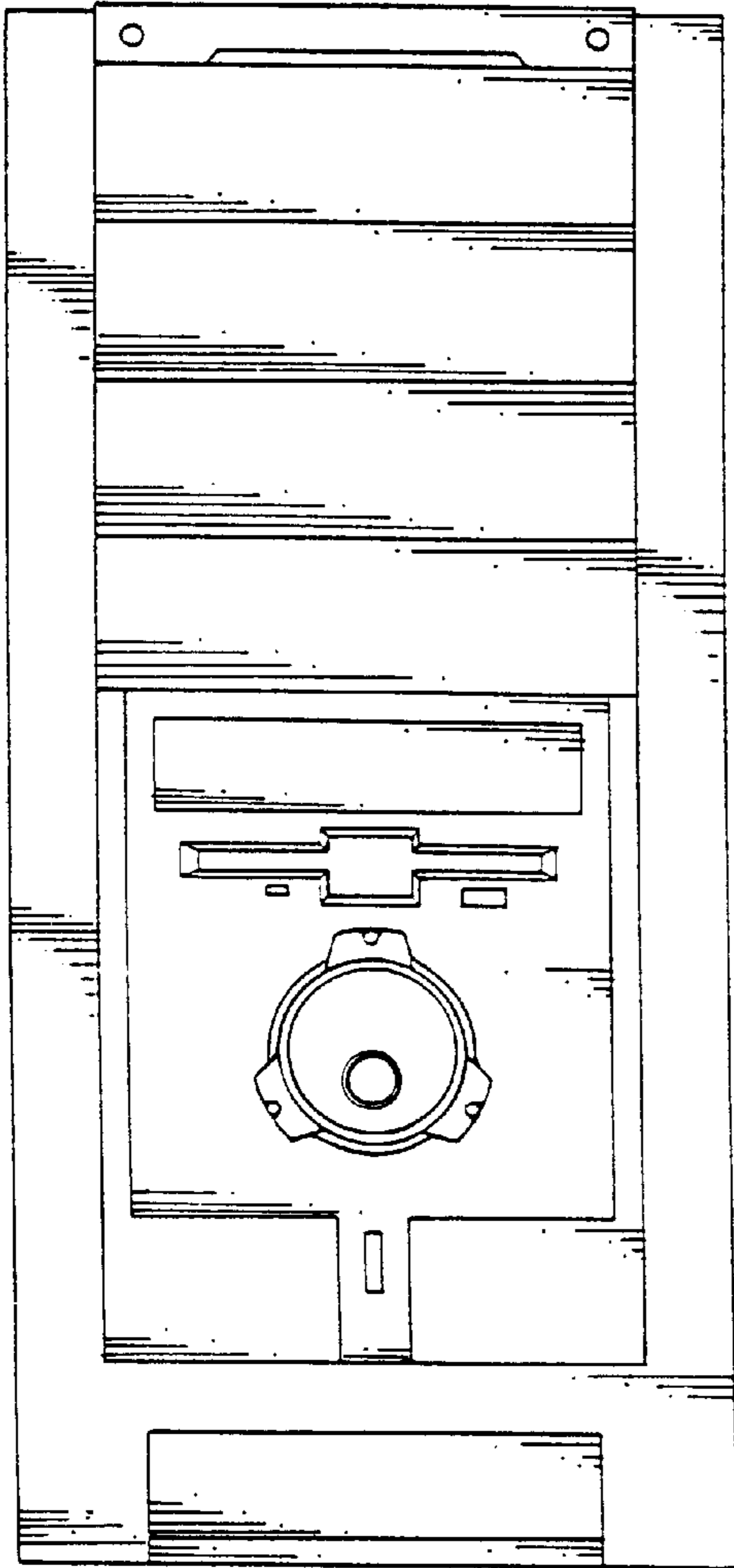


FIG. 2

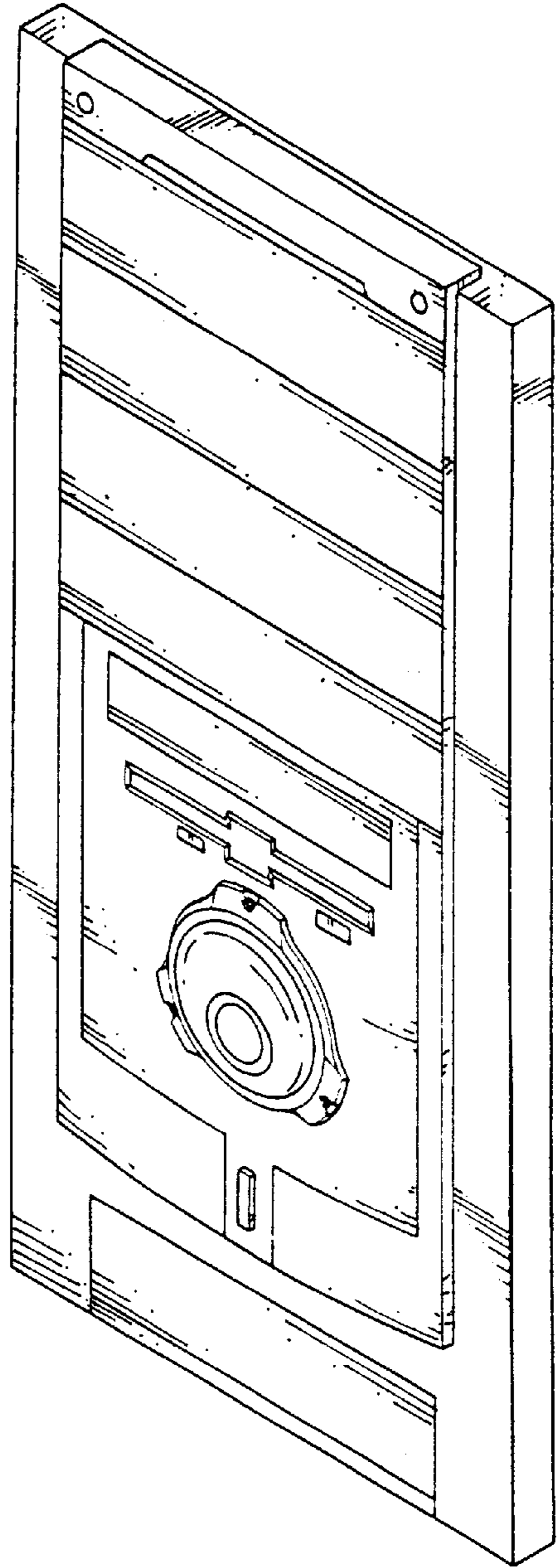


FIG. 1

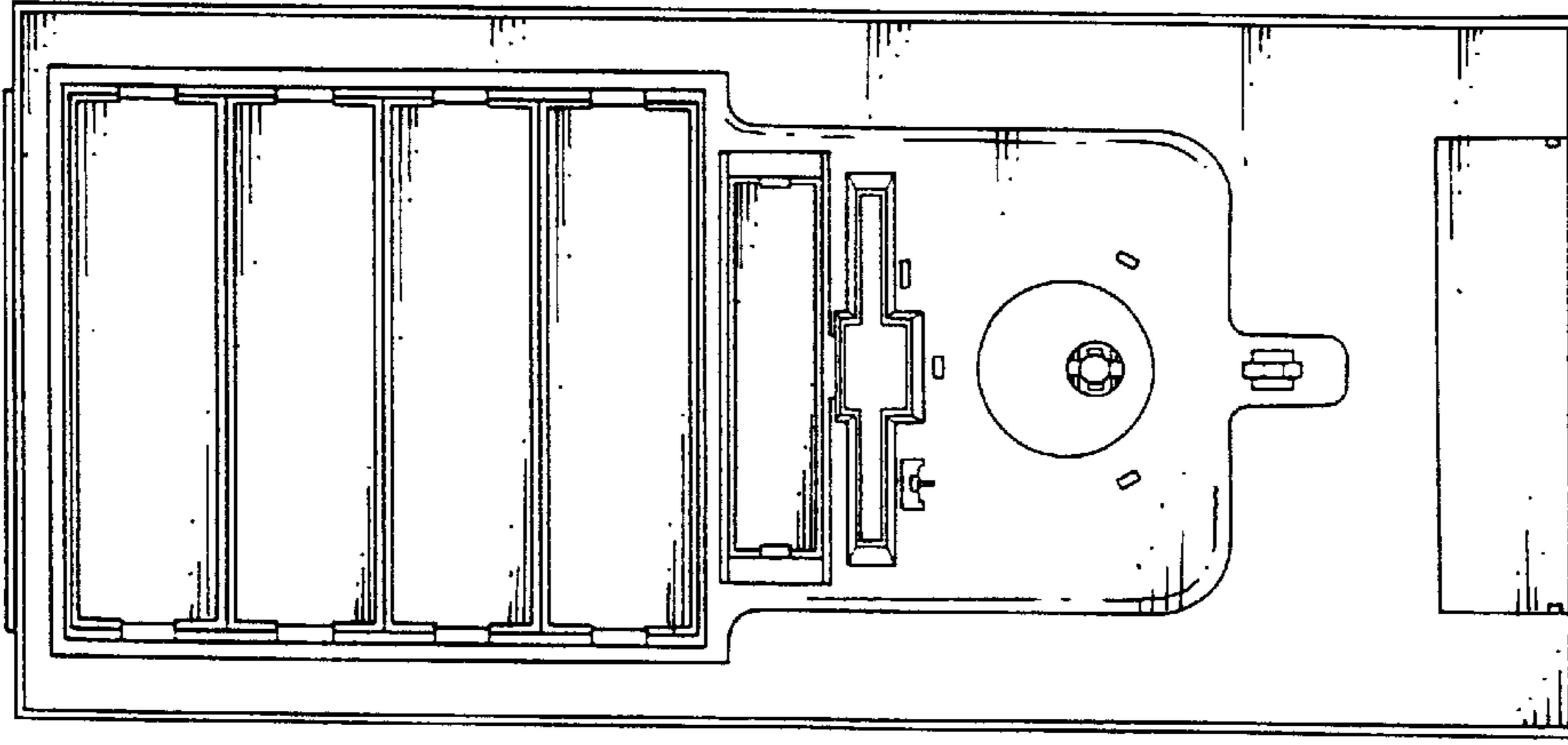


FIG. 3



FIG. 4

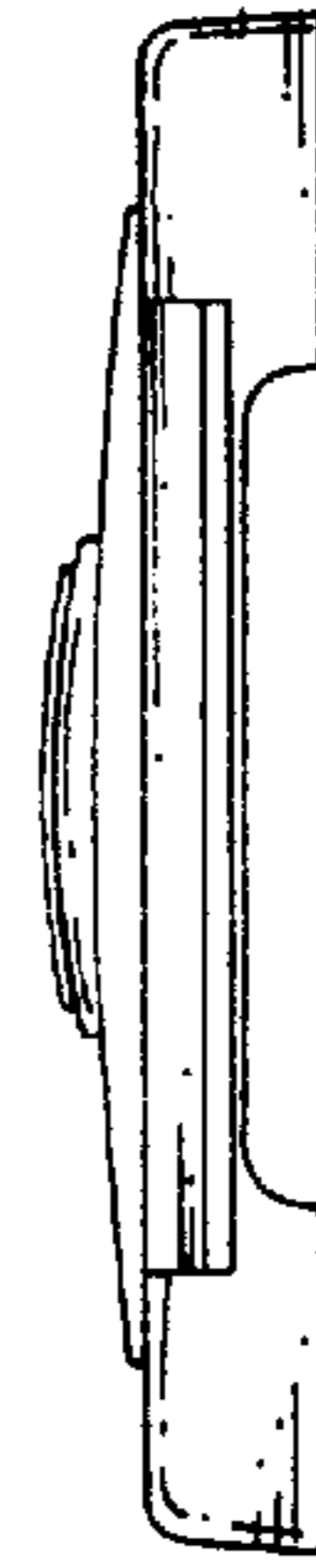


FIG. 5

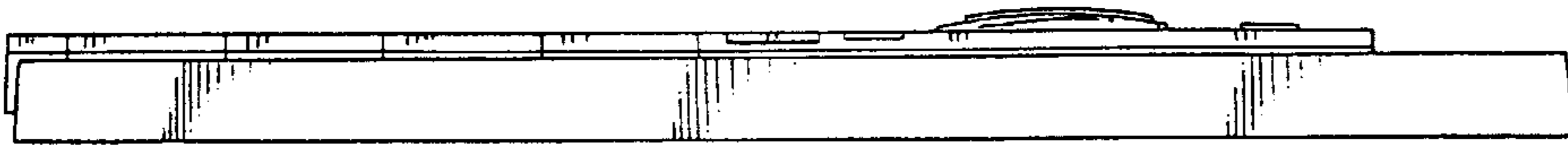


FIG. 6

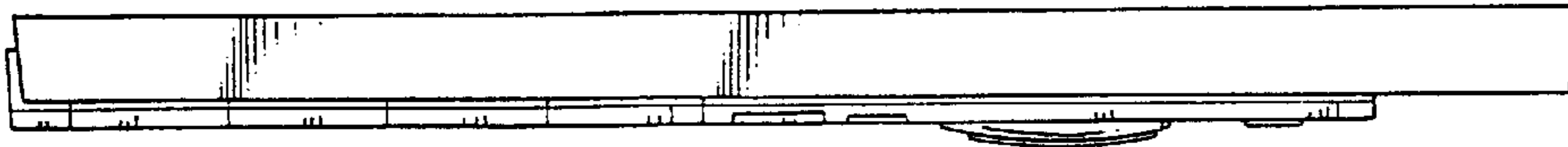


FIG. 7

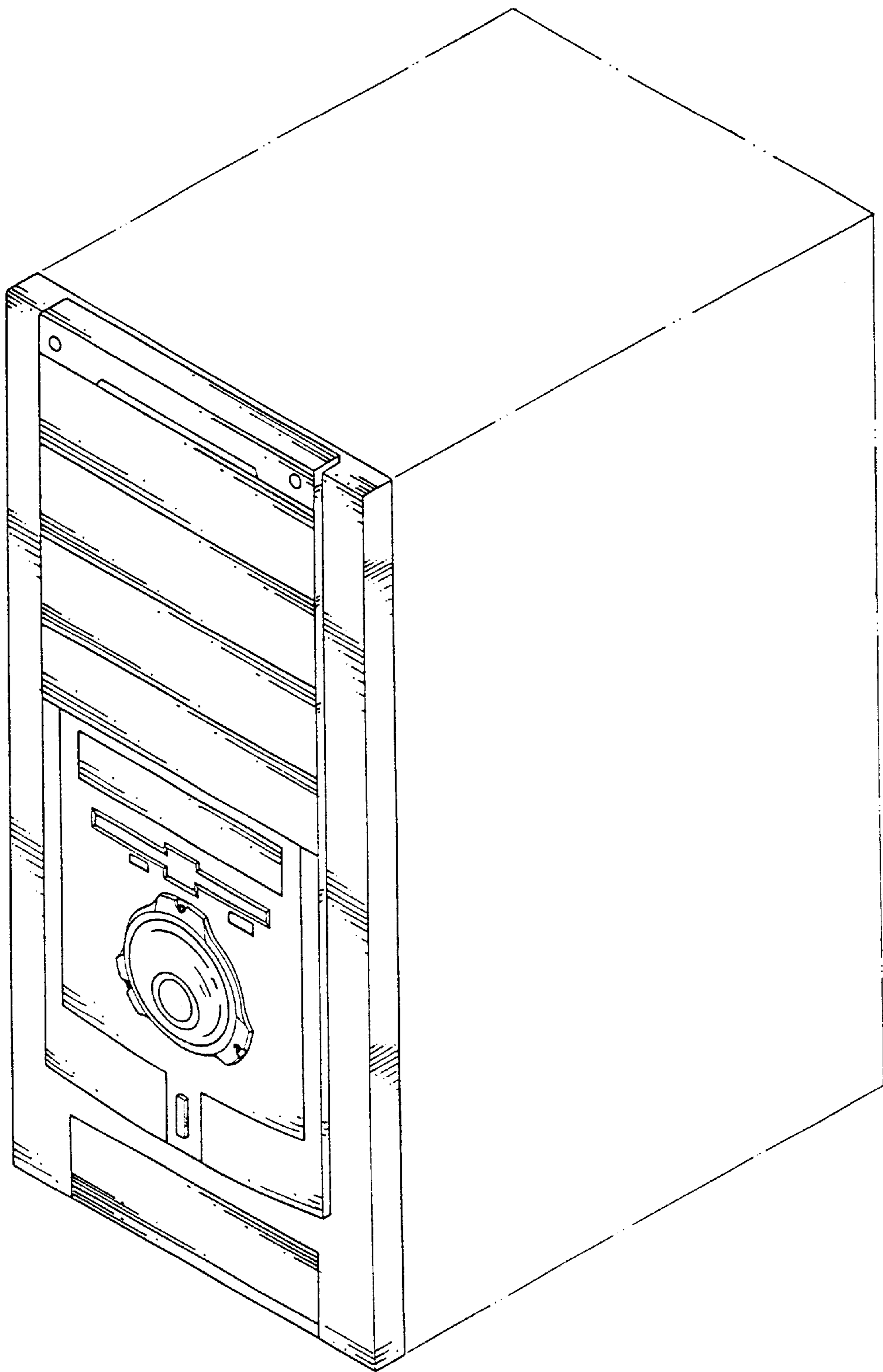


FIG. 8