



US00D459354S

(12) **United States Design Patent**
Gershfeld

(10) **Patent No.:** **US D459,354 S**

(45) **Date of Patent:** **** Jun. 25, 2002**

(54) **ENCLOSURE FOR DISTRIBUTION
AMPLIFIER FOR COMPUTER AND AUDIO
VISUAL EQUIPMENT**

D409,572 S * 5/1999 Putten D13/147
RE36,968 E * 11/2000 Shieh 361/685

* cited by examiner

(76) **Inventor:** **Jack Gershfeld**, 615 Del Rio Way,
Fullerton, CA (US) 92835

Primary Examiner—Joel Sincavage

(74) *Attorney, Agent, or Firm*—Vladimir Khiterer

(**) **Term:** **14 Years**

(57) **CLAIM**

(21) **Appl. No.:** **29/146,467**

The ornamental design for an enclosure for distribution amplifier for computer and audio visual equipment, as shown and described.

(22) **Filed:** **Aug. 10, 2001**

(51) **LOC (7) Cl.** **14-02**

DESCRIPTION

(52) **U.S. Cl.** **D14/432; D13/147**

(58) **Field of Search** D13/147, 154;
D14/265, 188, 432, 439, 356, 496, 217,
239; 439/638

FIG. 1 is a perspective view of an enclosure for distribution amplifier for computer and audio visual equipment.

FIG. 2 is a top plan view thereof.

FIG. 3 is a right side elevational view thereof; and,

FIG. 4 is a front elevational view thereof.

The appearance of the bottom forms no part of the claimed design.

The appearance of the back forms no part of the claimed design.

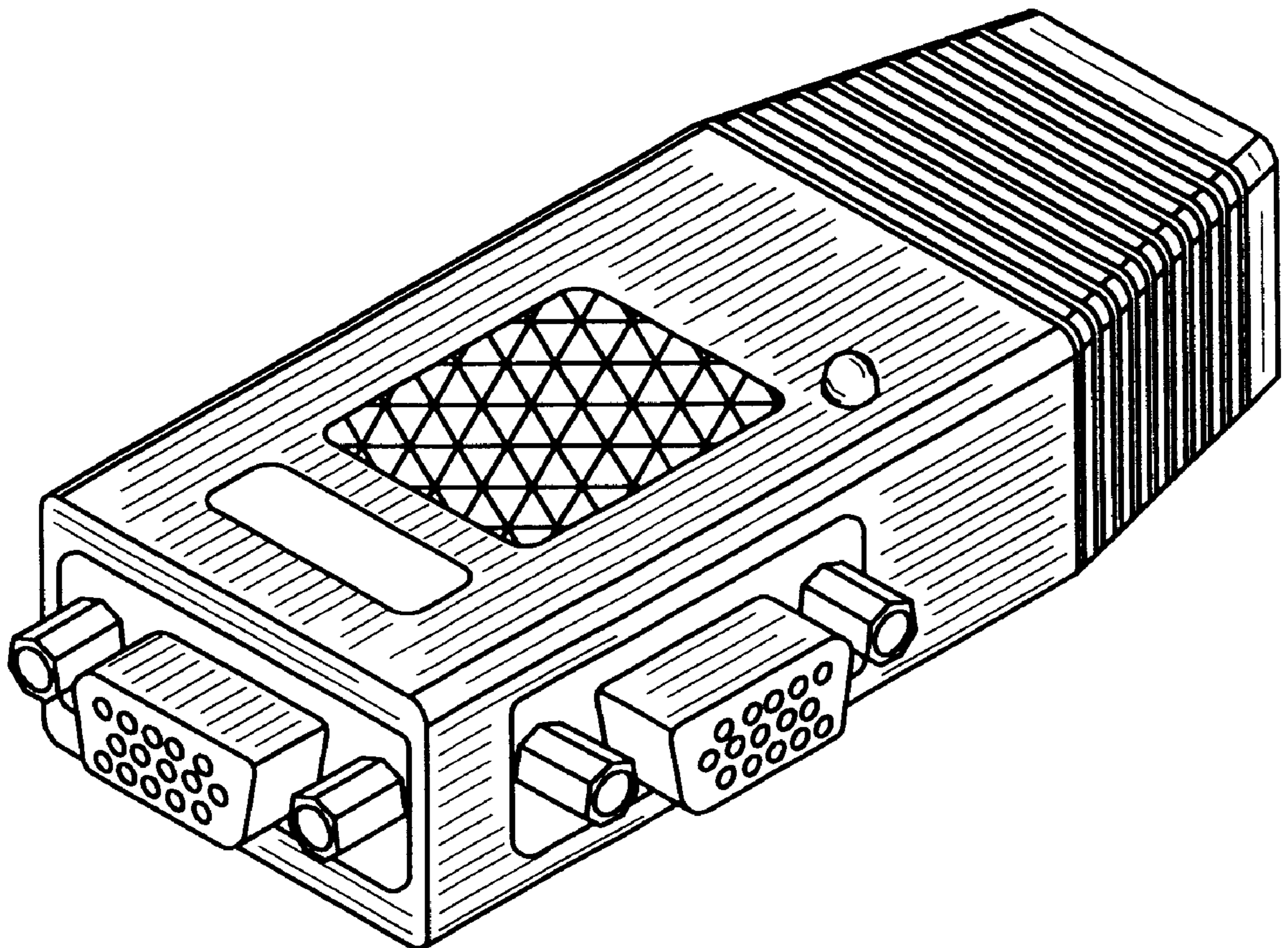
The appearance of the left side forms no part of the claimed design.

(56) **References Cited**

U.S. PATENT DOCUMENTS

| | | | | | |
|-------------|---|---------|---------|-------|---------|
| 4,227,764 A | * | 10/1980 | Fiske | | 439/367 |
| D306,427 S | * | 3/1990 | Huang | | D13/171 |
| 5,192,226 A | * | 3/1993 | Wang | | 439/502 |
| D341,817 S | * | 11/1993 | Huang | | D13/147 |
| 5,406,450 A | * | 4/1995 | Shieh | | 361/686 |
| 5,567,180 A | * | 10/1996 | Seo | | 439/638 |
| 5,830,065 A | * | 11/1998 | Sitrick | | 463/31 |

1 Claim, 4 Drawing Sheets



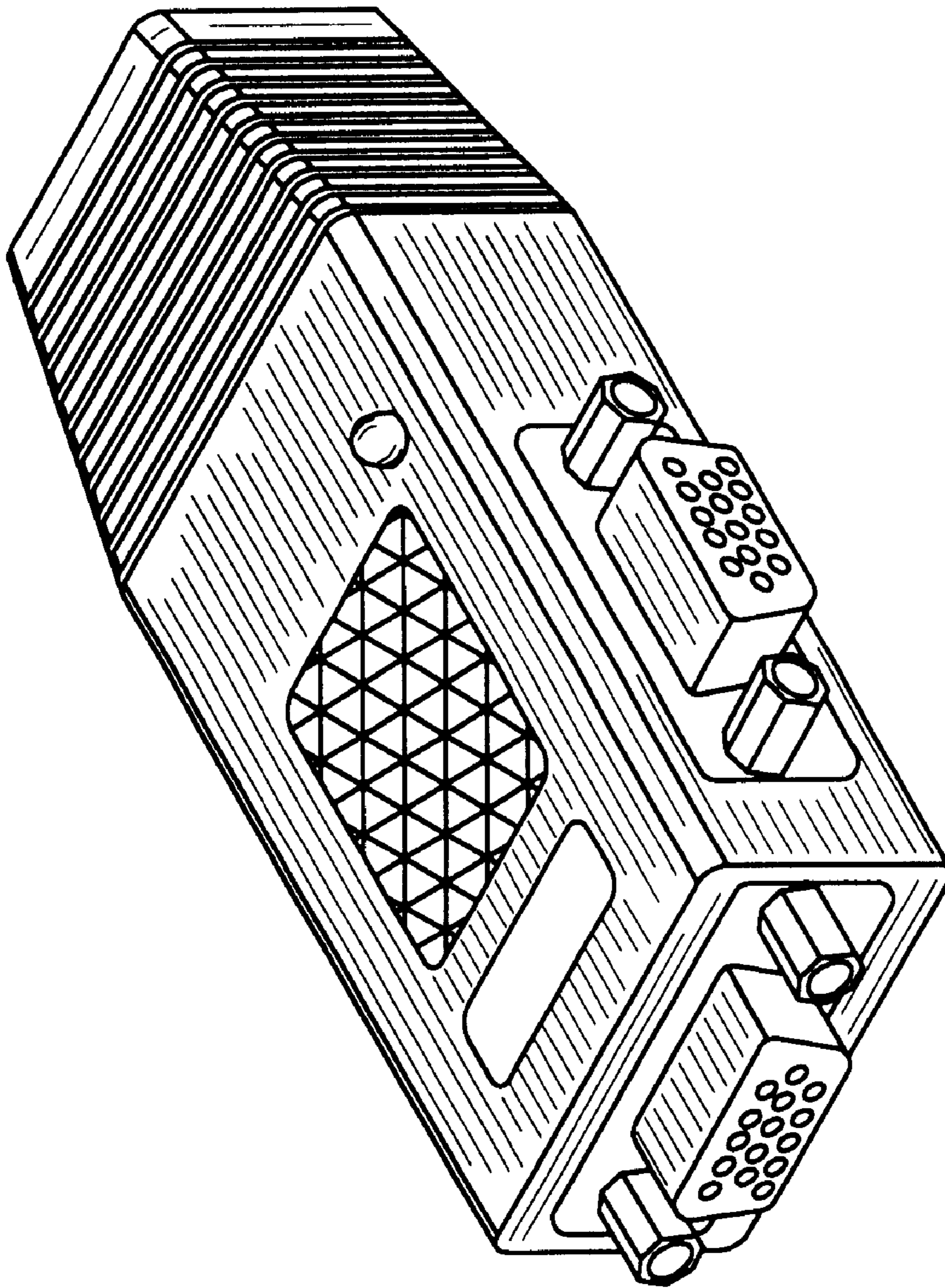


FIG.1

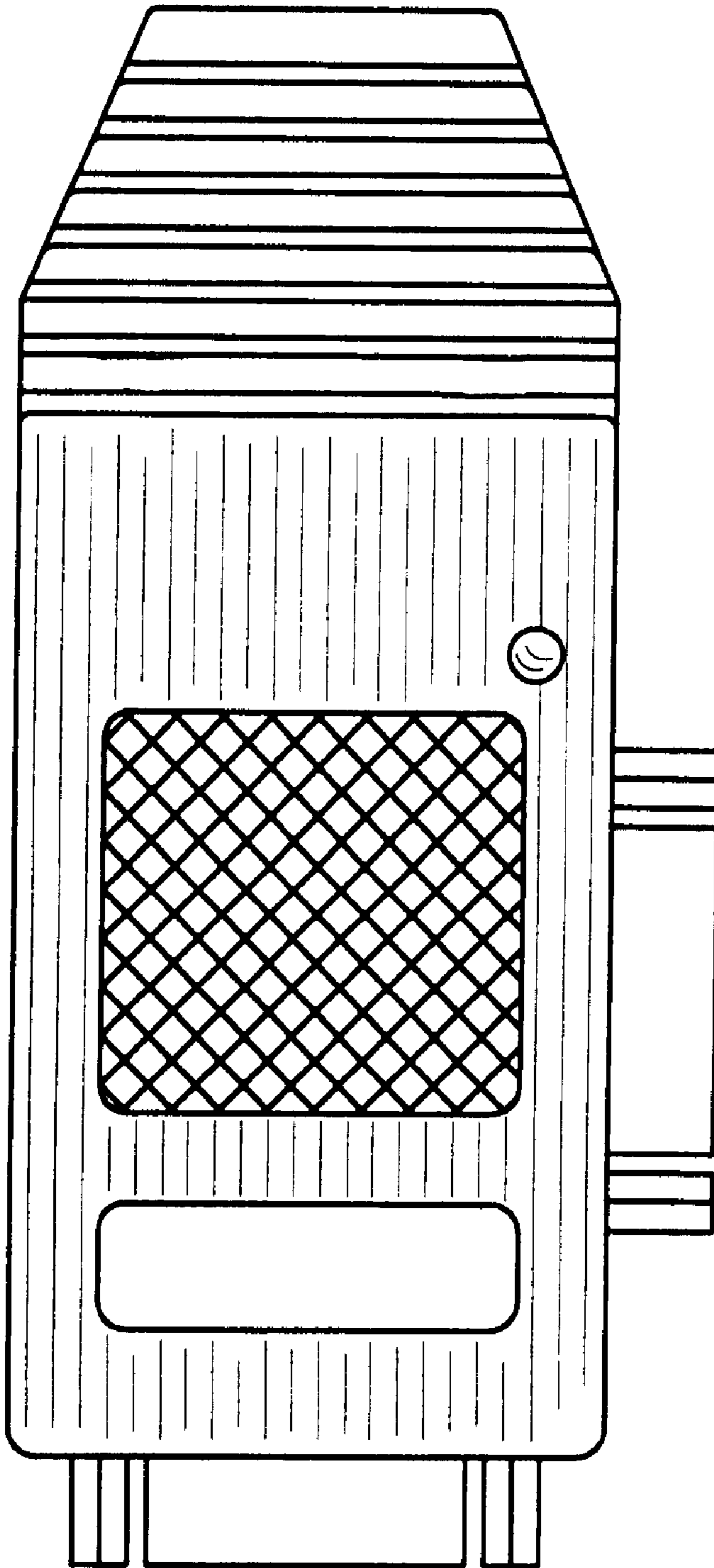


FIG.2

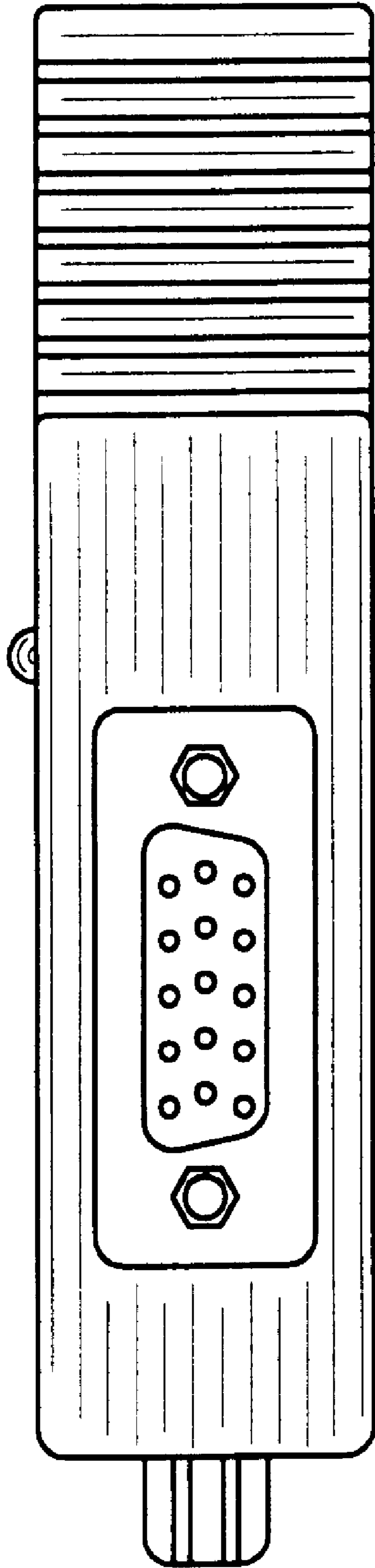


FIG.3

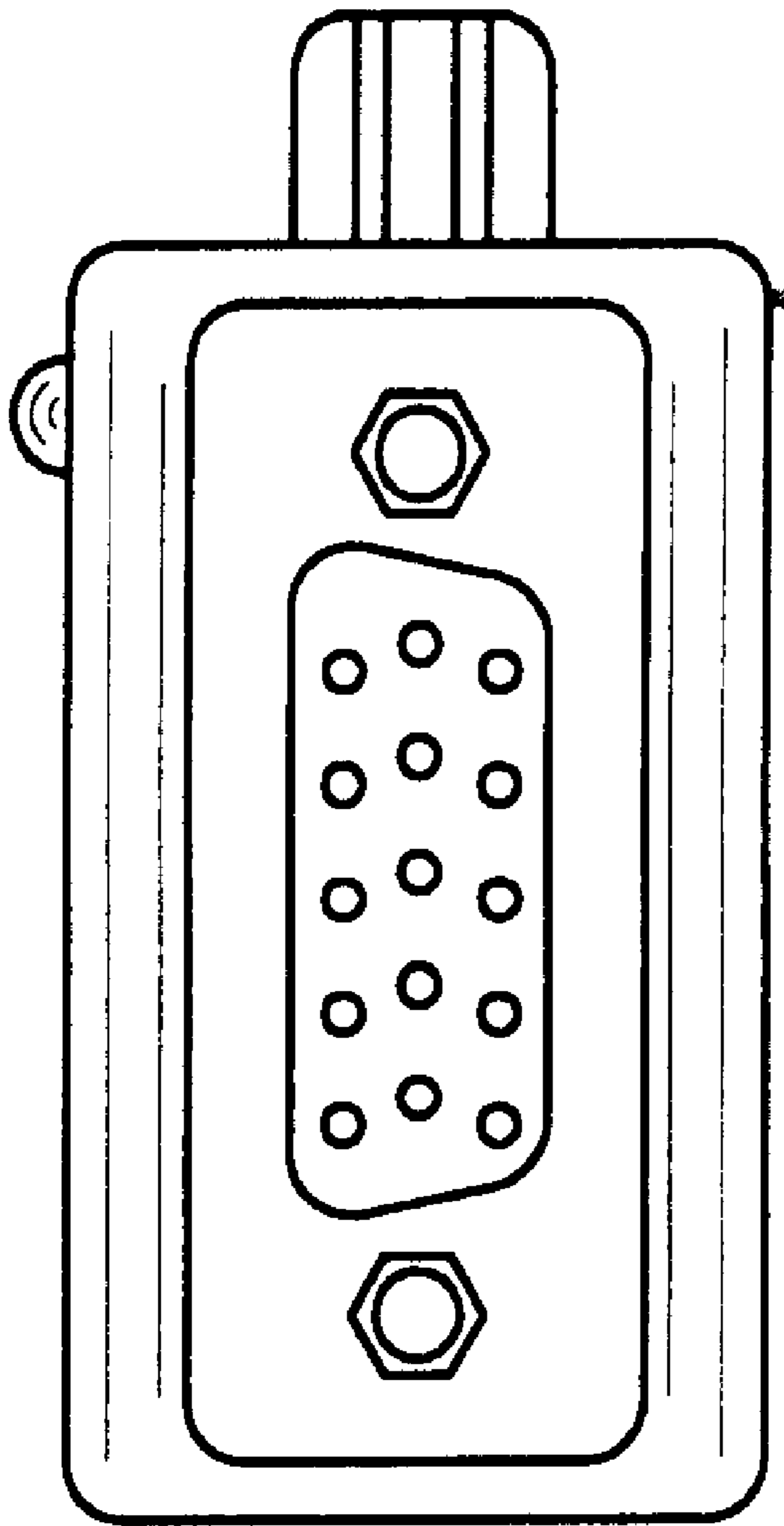


FIG.4