



US00D459352S

(12) **United States Design Patent**
Giovanniello

(10) **Patent No.:** **US D459,352 S**

(45) **Date of Patent:** **** Jun. 25, 2002**

(54) **WIRELESS MOUSE WRISTBAND**

(76) **Inventor:** **Michael C. Giovanniello**, 55 Andrews St., Staten Island, NY (US) 10305

(**) **Term:** **14 Years**

(21) **Appl. No.:** **29/146,498**

(22) **Filed:** **Aug. 10, 2001**

(51) **LOC (7) Cl.** **14-02**

(52) **U.S. Cl.** **D14/402; D14/344**

(58) **Field of Search** D14/344, 402, D14/420, 427, 432, 407; 345/156, 157, 158, 163, 166, 162, 175, 176

(56) **References Cited**

U.S. PATENT DOCUMENTS

- D327,882 S * 7/1992 George et al. D14/344
- D366,036 S * 1/1996 Houlihan D14/344
- 5,638,092 A * 6/1997 Eng et al. 345/158
- 5,668,574 A * 9/1997 Jarlance-Huang 345/158

- D391,250 S * 2/1998 Swift et al. D14/427
- 5,754,126 A * 5/1998 Hilbrink 341/20
- 5,999,166 A * 12/1999 Rangan 345/157

* cited by examiner

Primary Examiner—Kay H. Chin

(74) *Attorney, Agent, or Firm*—Goldstein Law Offices, P.C.

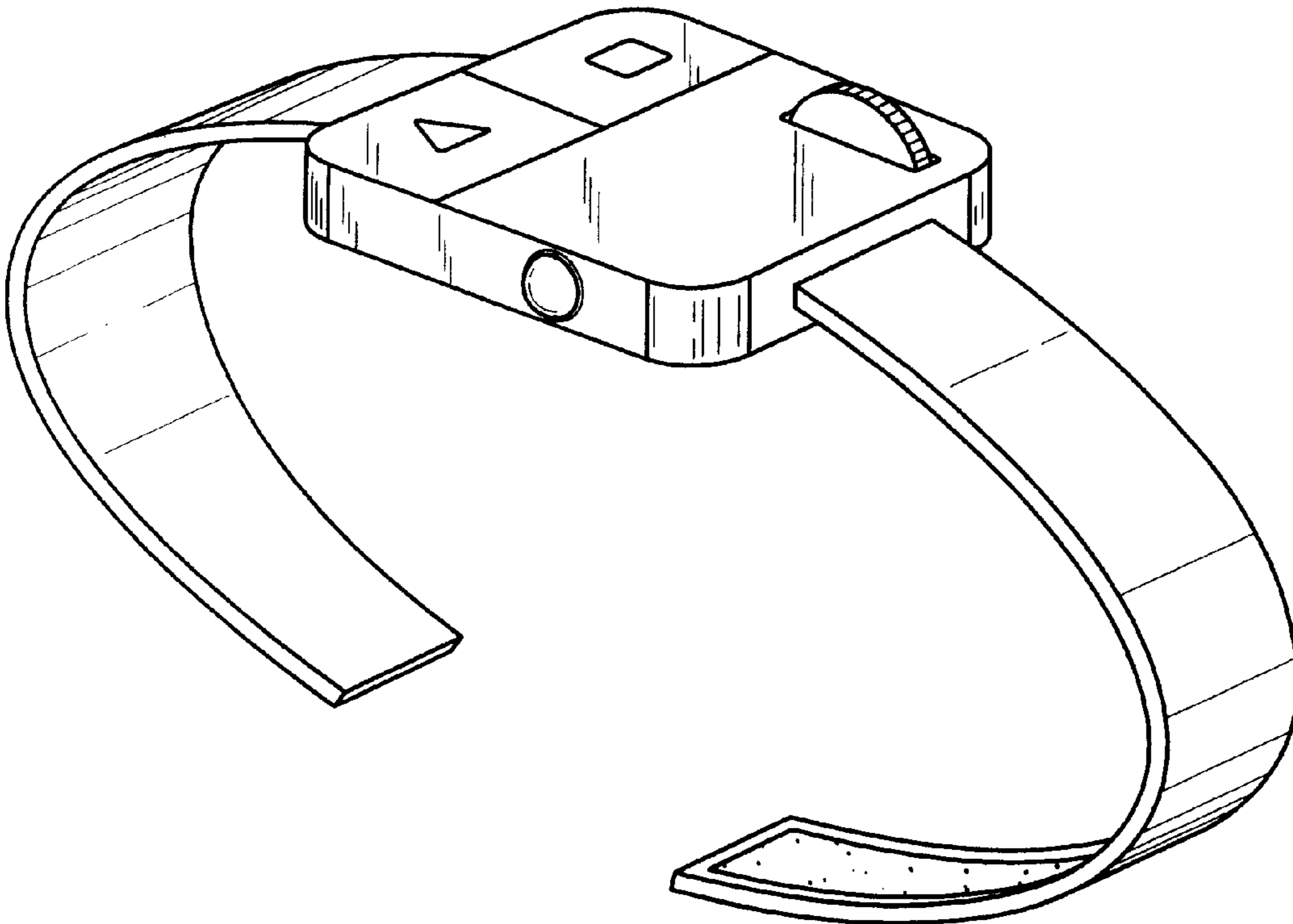
(57) **CLAIM**

The ornamental design for a wireless mouse wristband, as shown and described.

DESCRIPTION

FIG. 1 is a perspective view of a wireless mouse wristband.
 FIG. 2 is a front elevational view thereof.
 FIG. 3 is a rear elevational view thereof.
 FIG. 4 is a right side elevational view thereof.
 FIG. 5 is a left side elevational view thereof.
 FIG. 6 is a top plan view of the wireless mouse wristband;
 and,
 FIG. 7 is a bottom plan view thereof.

1 Claim, 3 Drawing Sheets



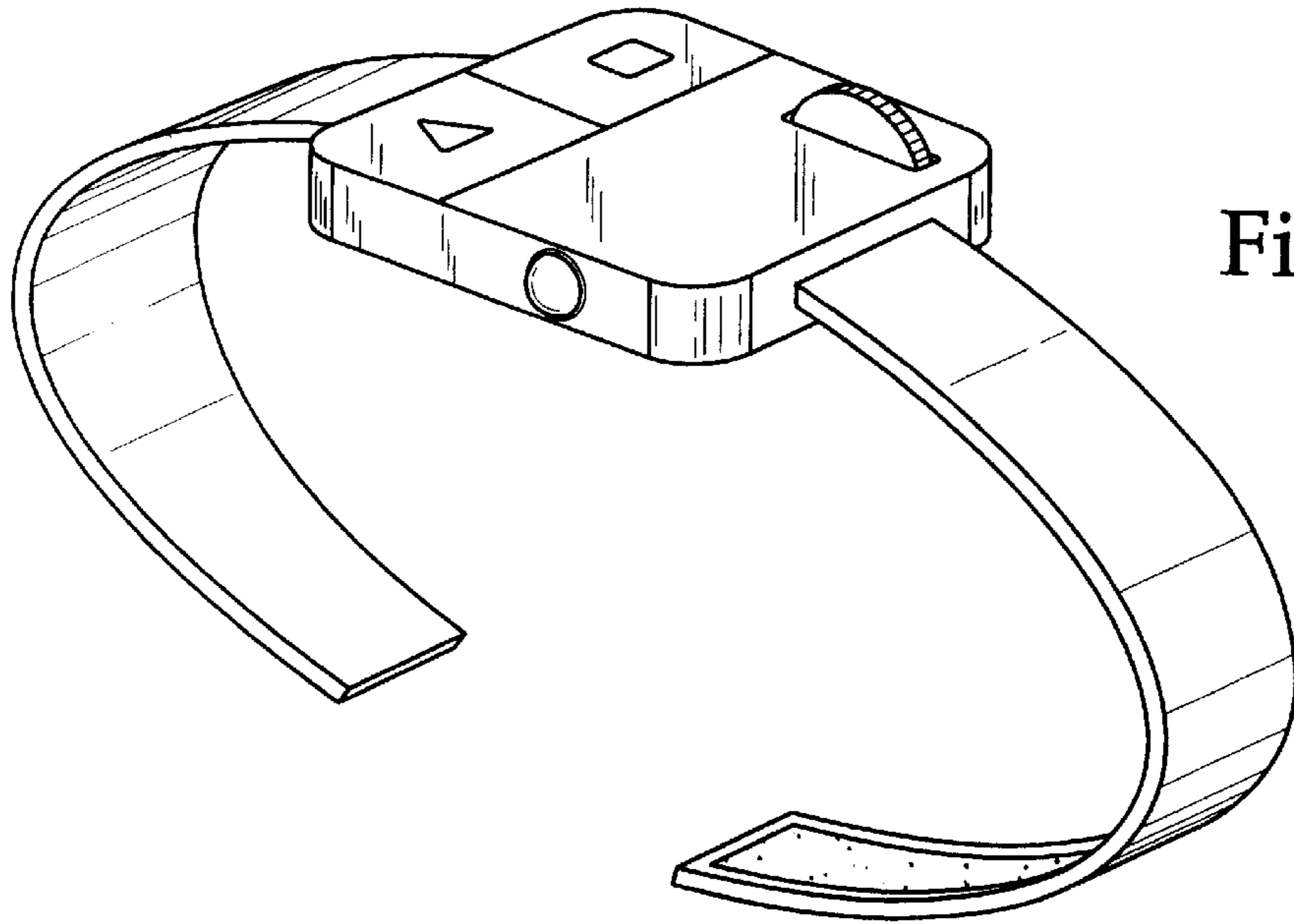


Fig. 1

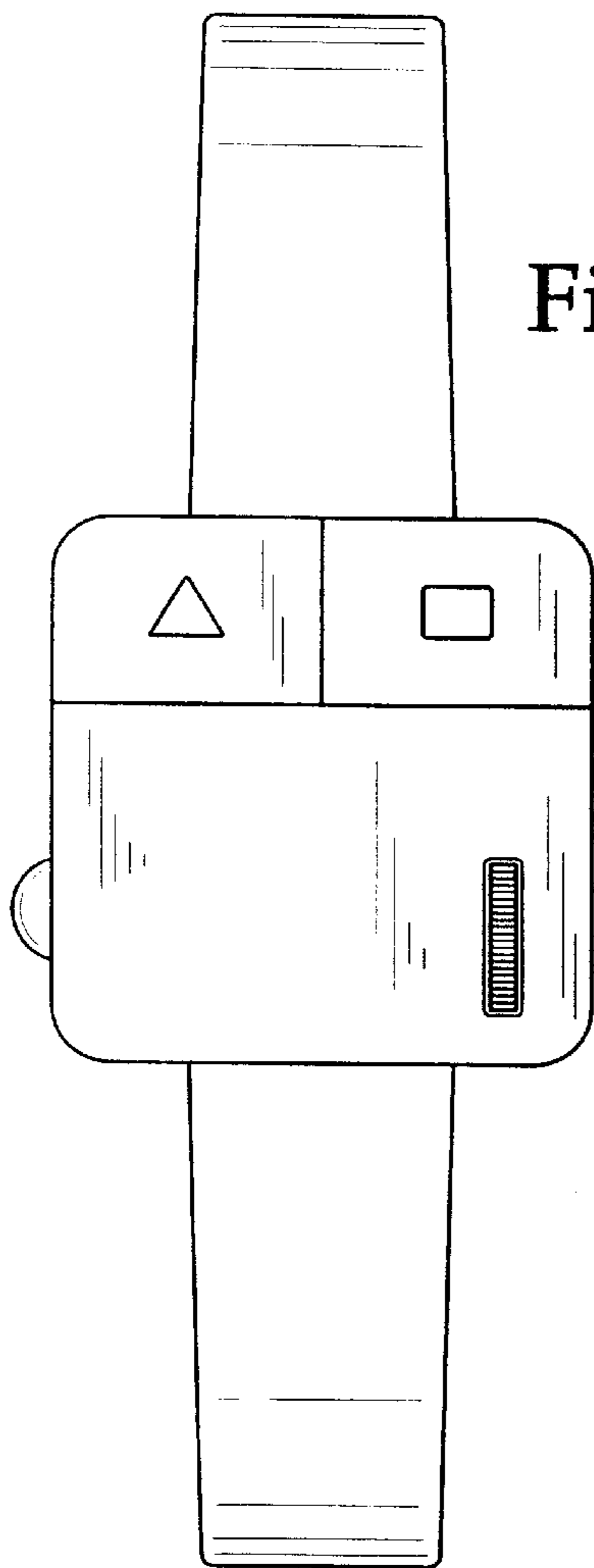


Fig. 2

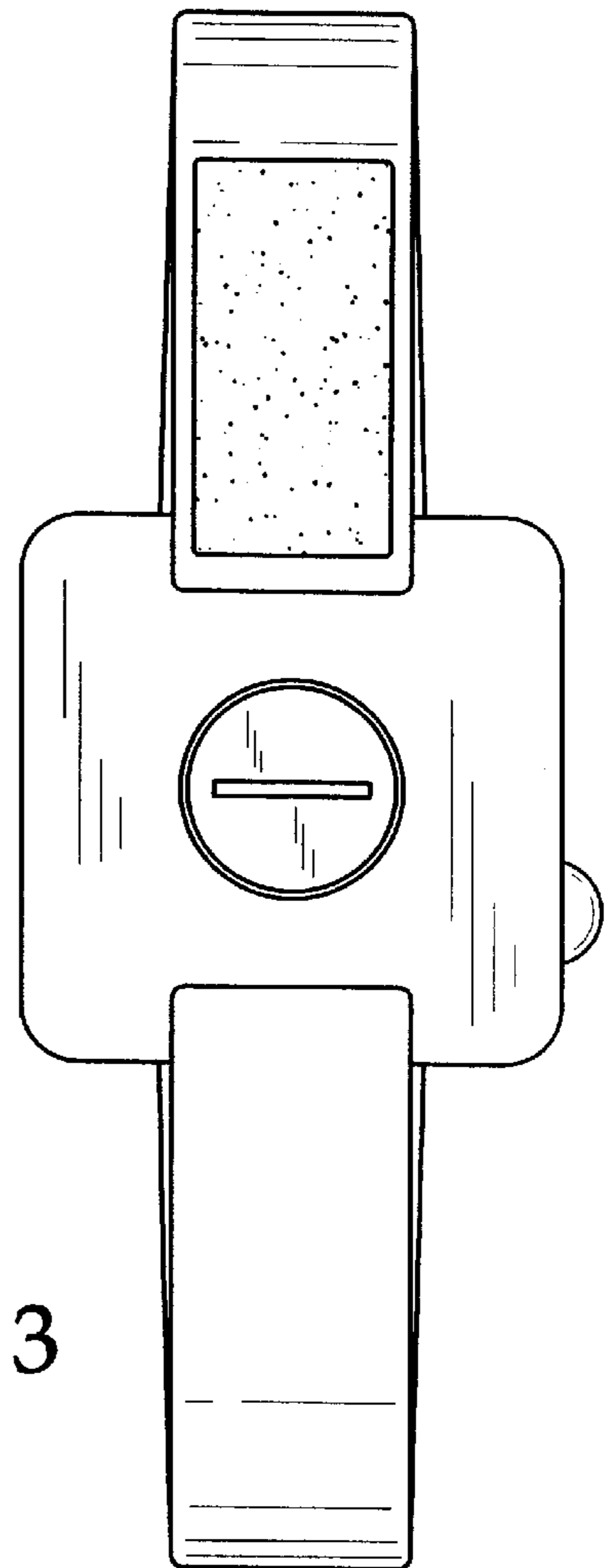


Fig. 3

Fig. 5

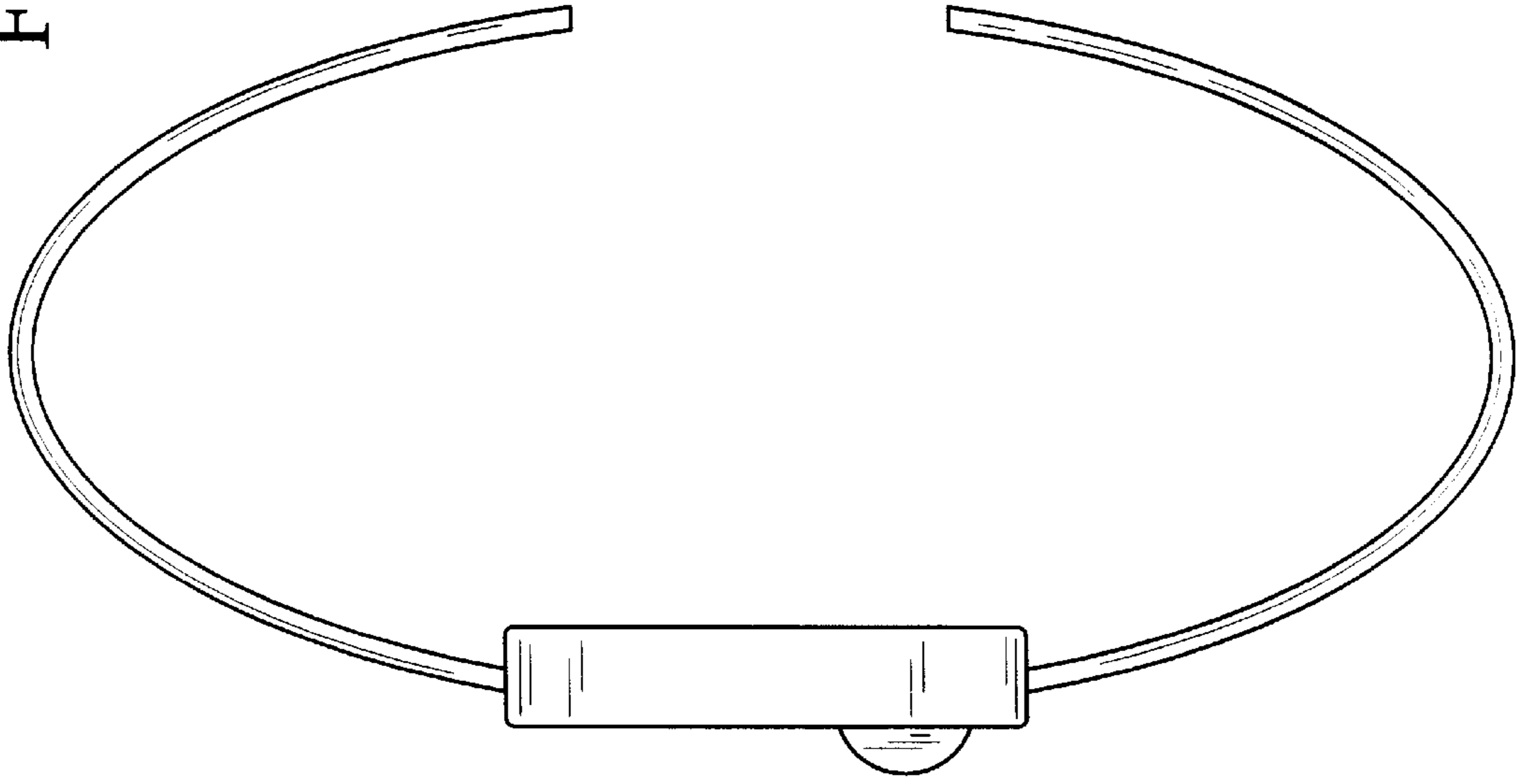


Fig. 4

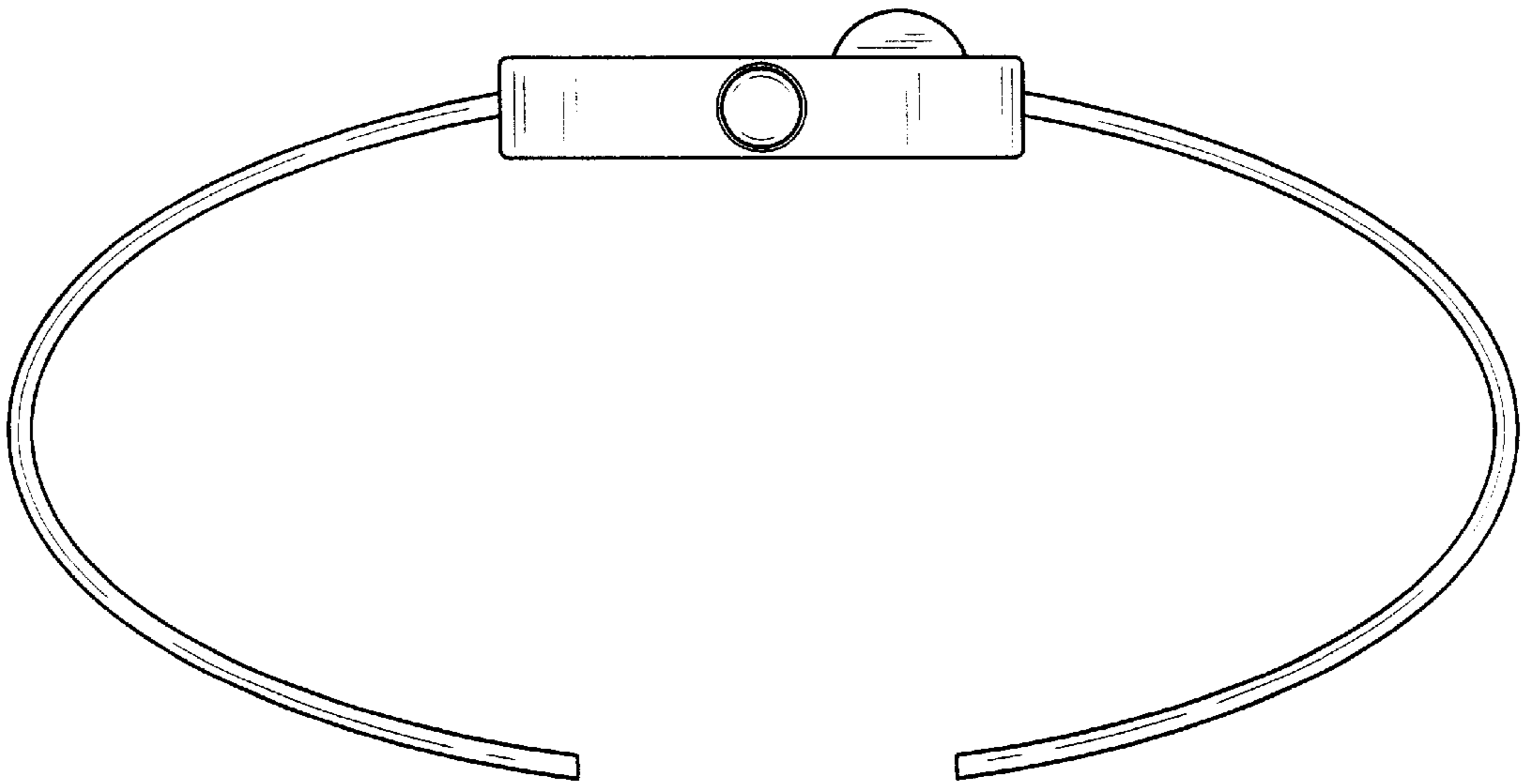


Fig. 7

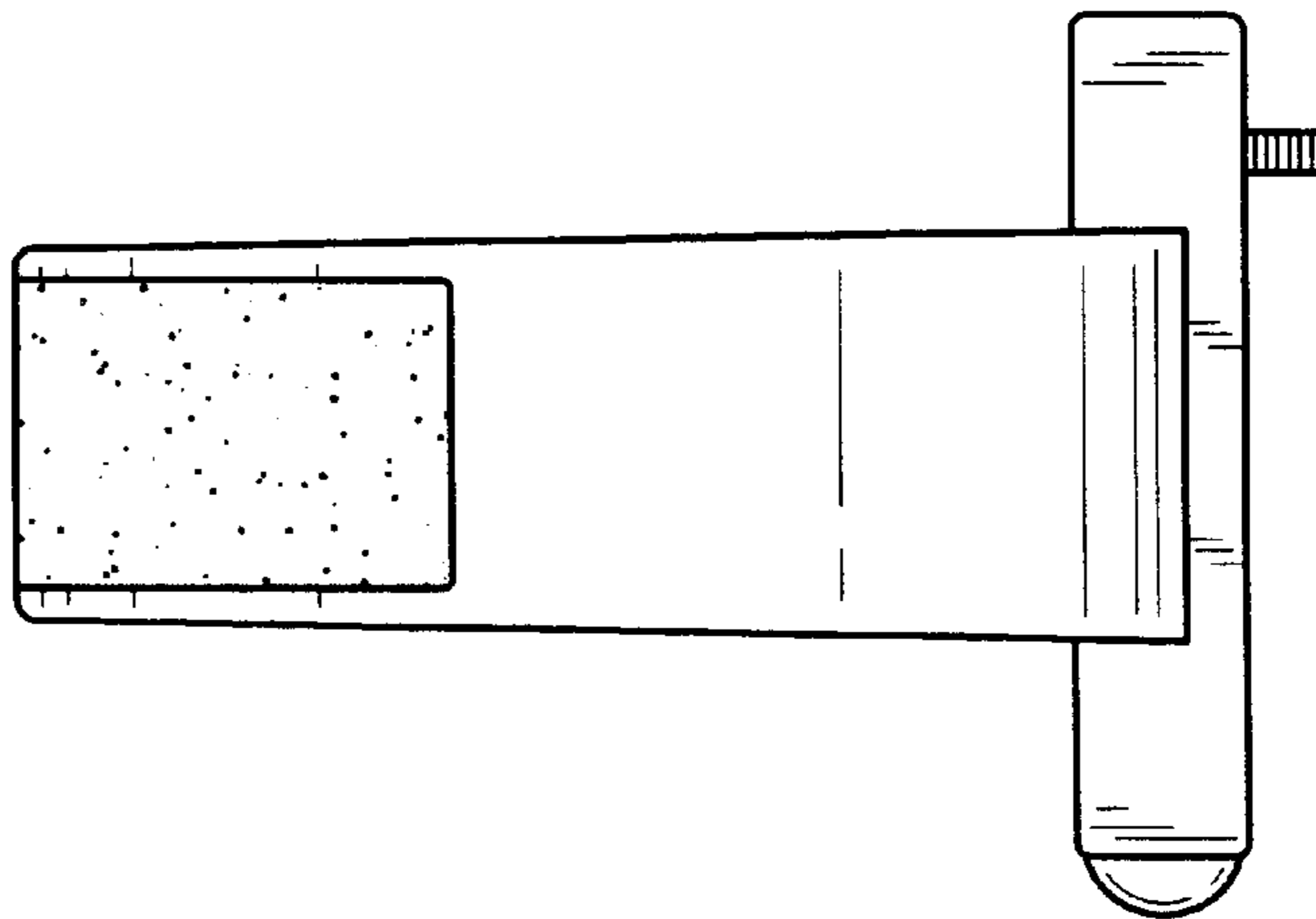


Fig. 6

