



US00D459349S

(12) **United States Design Patent**
Wei et al.

(10) **Patent No.:** **US D459,349 S**
(45) **Date of Patent:** **** Jun. 25, 2002**

(54) **COMPUTER ENCLOSURE**

D427,594 S * 7/2000 Lai D14/349
D439,248 S * 3/2001 Massaro et al. D14/349

(75) Inventors: **Tzu-Hao Wei; Michelle Yu**, both of Fullerton, CA (US)

* cited by examiner

(73) Assignee: **Hon Hai Precision Ind. Co. Ltd.**, Taipei Hsien (TW)

Primary Examiner—Freda Nunn
(74) *Attorney, Agent, or Firm*—Wei Te Chung

(**) Term: **14 Years**

(57) **CLAIM**

(21) Appl. No.: **29/141,772**

The ornamental design for a computer enclosure, as shown.

(22) Filed: **May 11, 2001**

DESCRIPTION

(51) **LOC (7) Cl.** **14-02**

(52) **U.S. Cl.** **D14/349**

(58) **Field of Search** D14/349-356;
D13/162, 184, 199; 312/223.1-223.3, 194,
292; 360/99.01-99.12; 361/680-686, 690-696;
369/34, 36

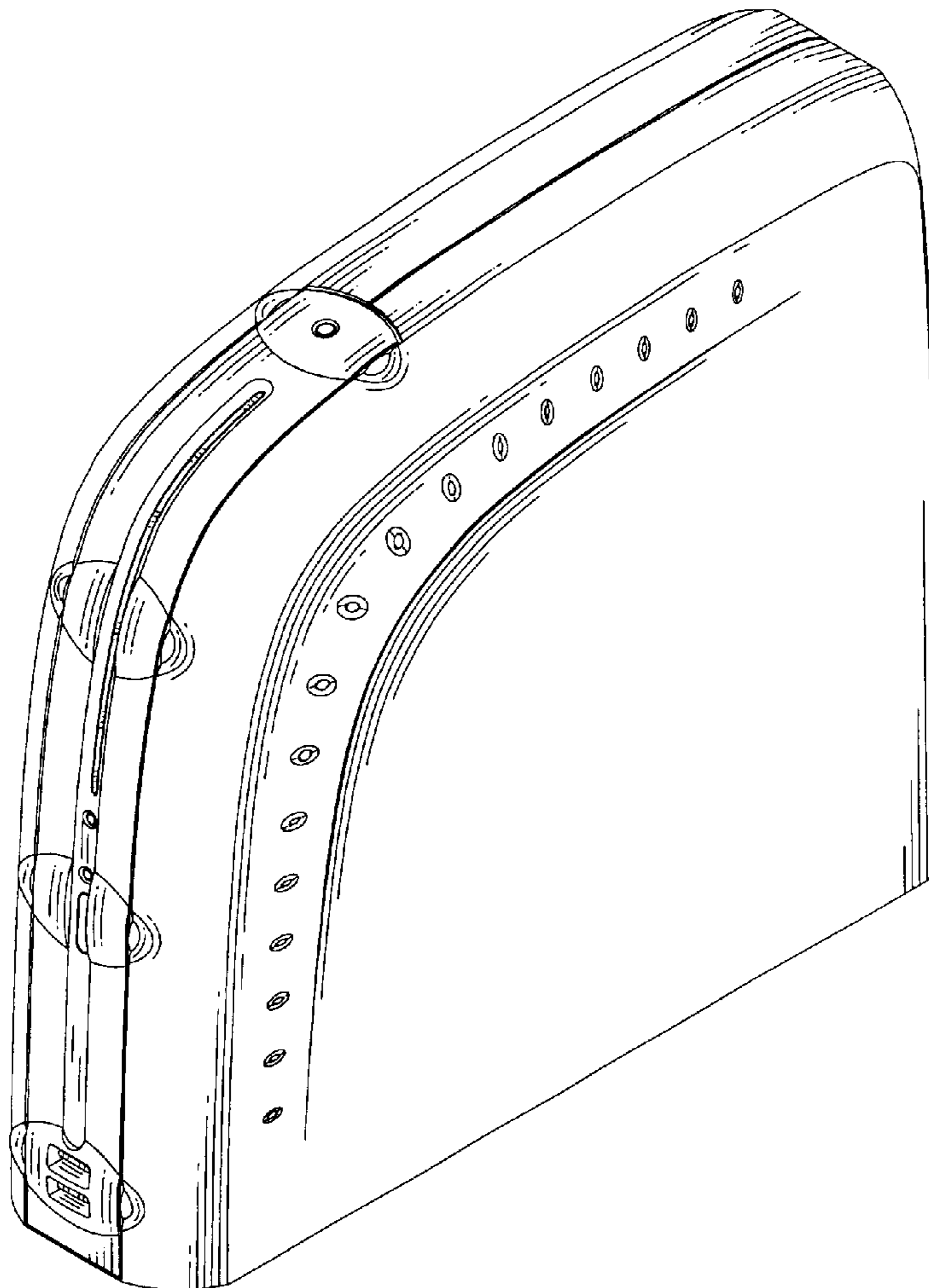
FIG. 1 is a perspective view of a computer enclosure of our new design;
FIG. 2 is a front elevational view thereof;
FIG. 3 is a rear elevational view thereof;
FIG. 4 is a left side elevational view thereof;
FIG. 5 is a right side elevational view thereof;
FIG. 6 is a top plan view thereof; and,
FIG. 7 is a bottom plan view thereof.

(56) **References Cited**

U.S. PATENT DOCUMENTS

D417,203 S * 11/1999 Figueroa et al. D14/352

1 Claim, 5 Drawing Sheets



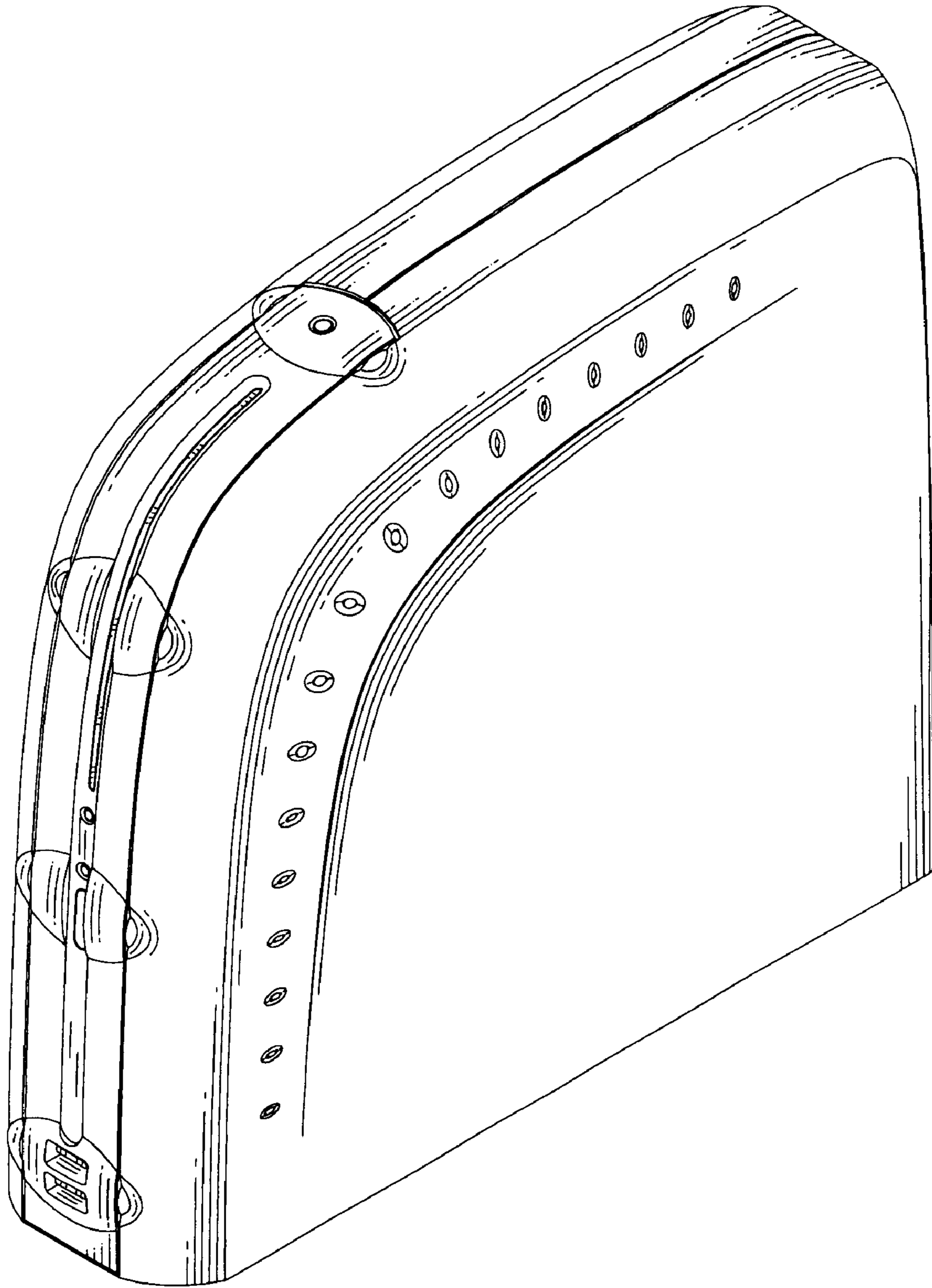


FIG. 1

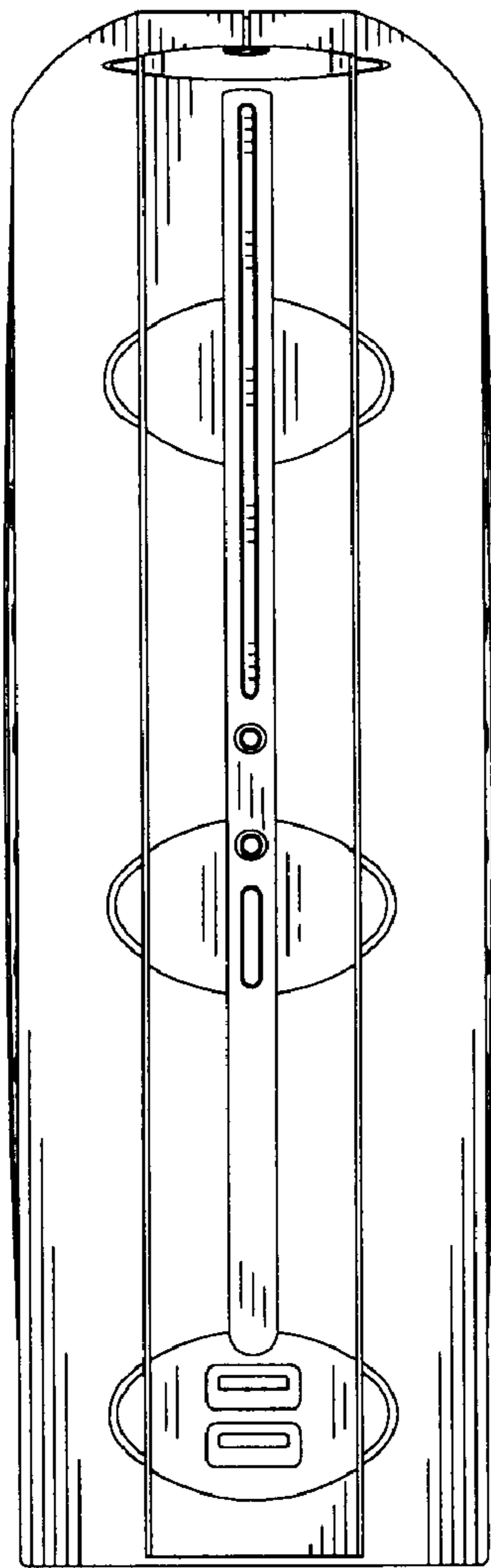


FIG. 2

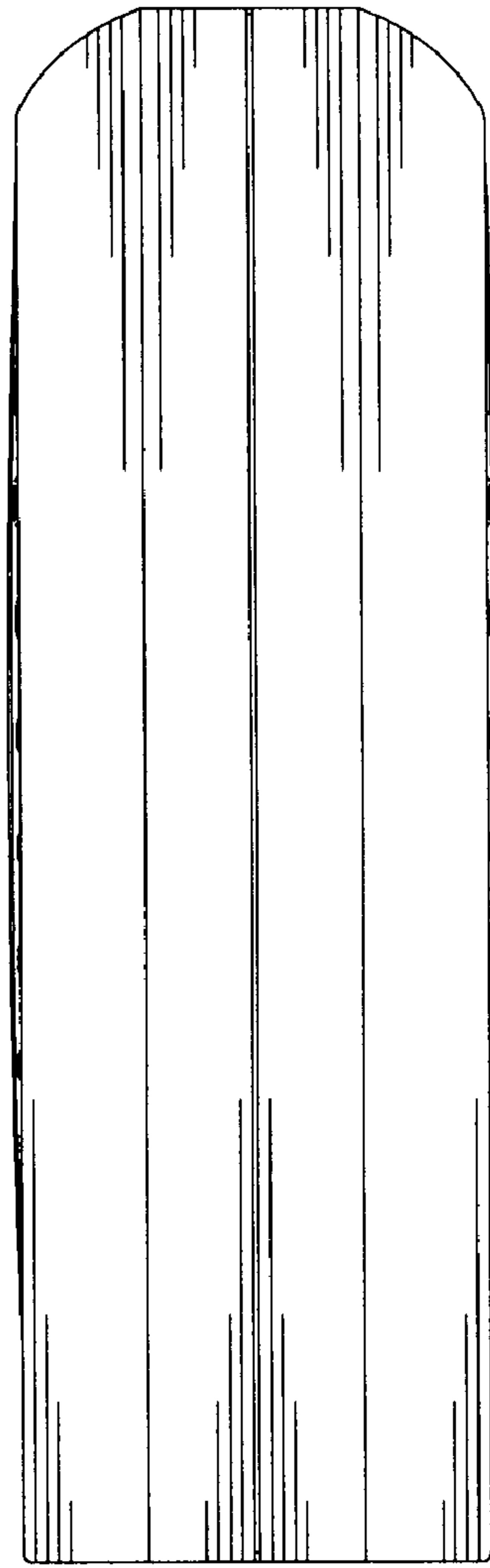


FIG. 3

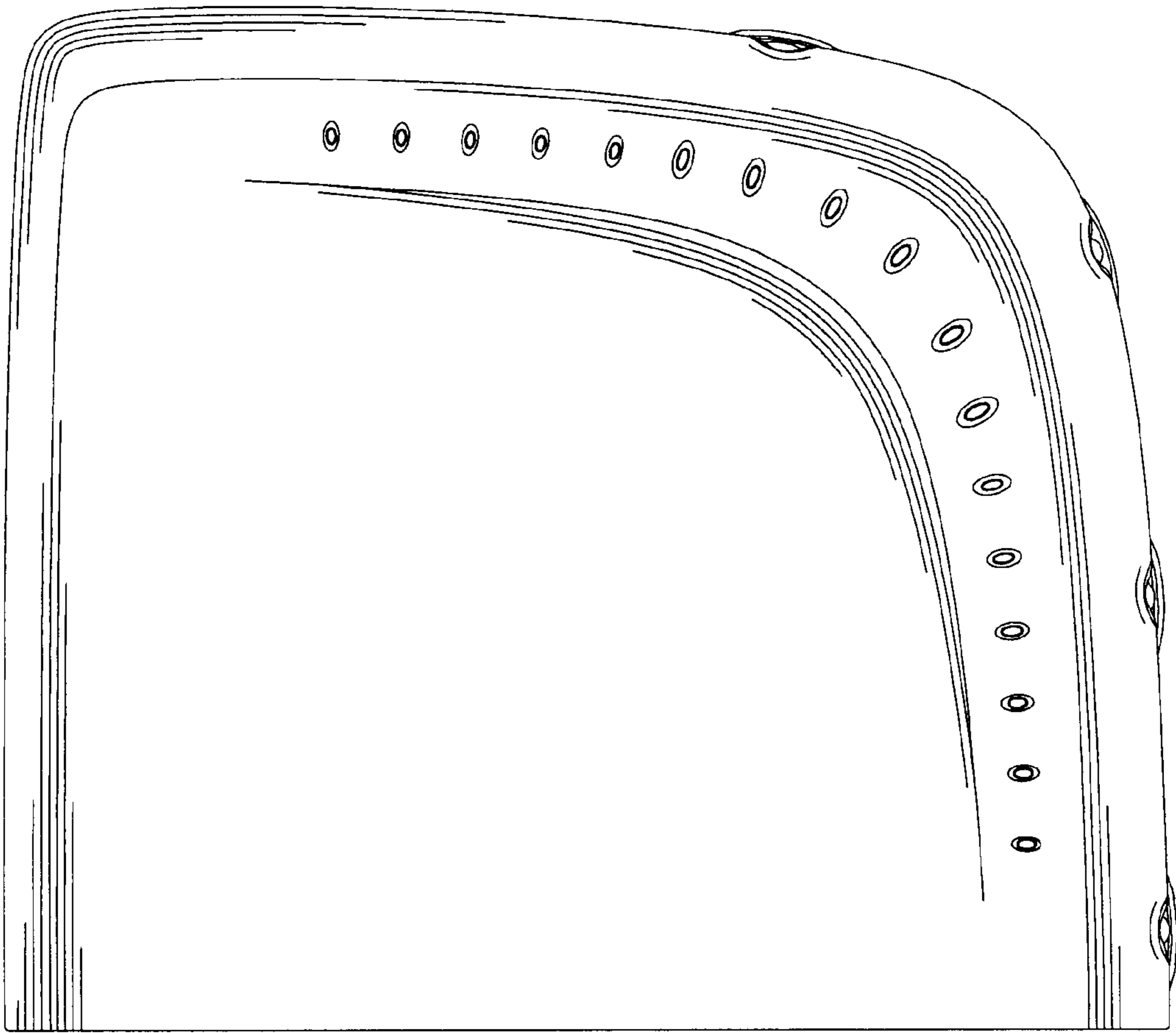


FIG. 4

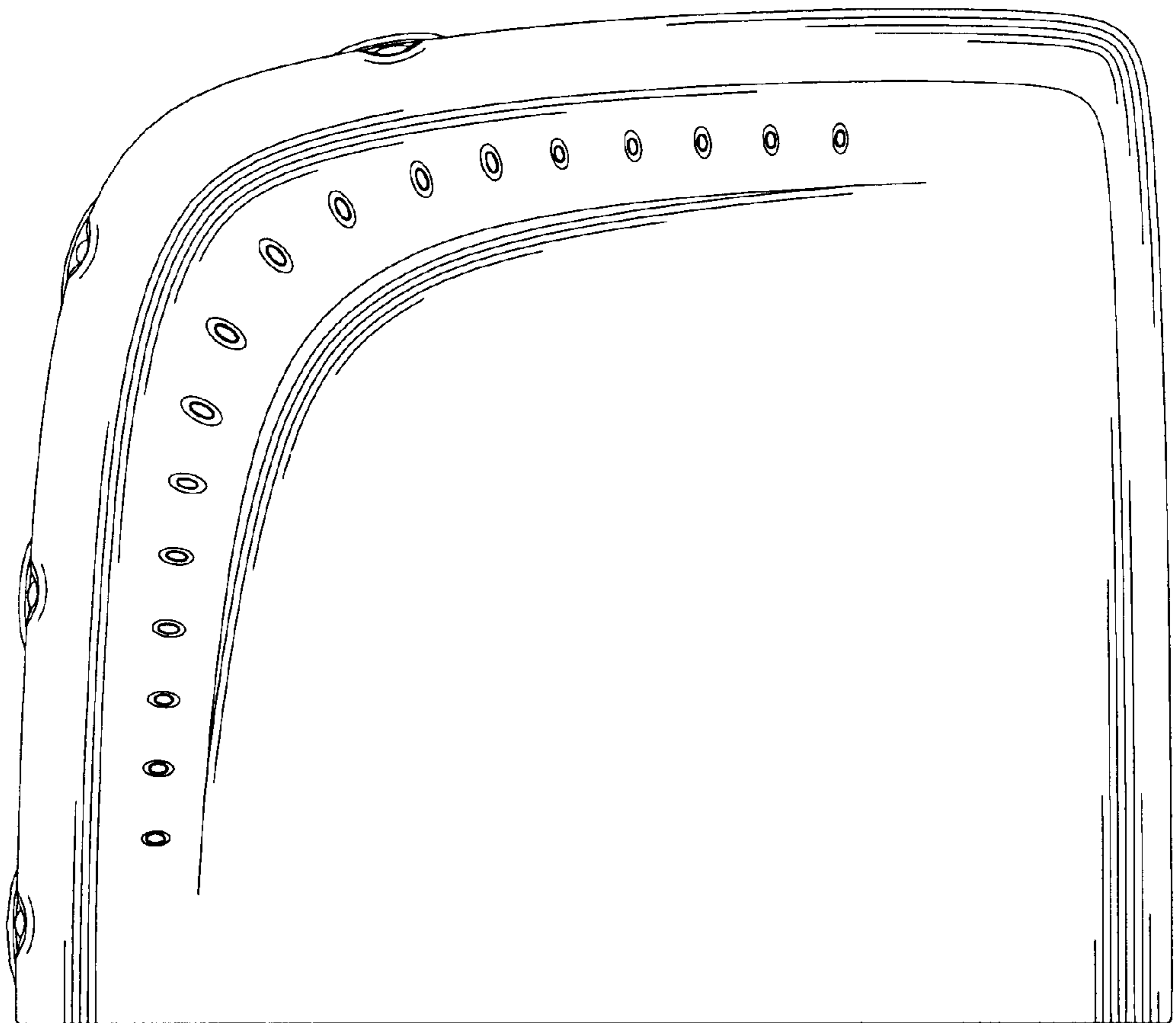


FIG. 5

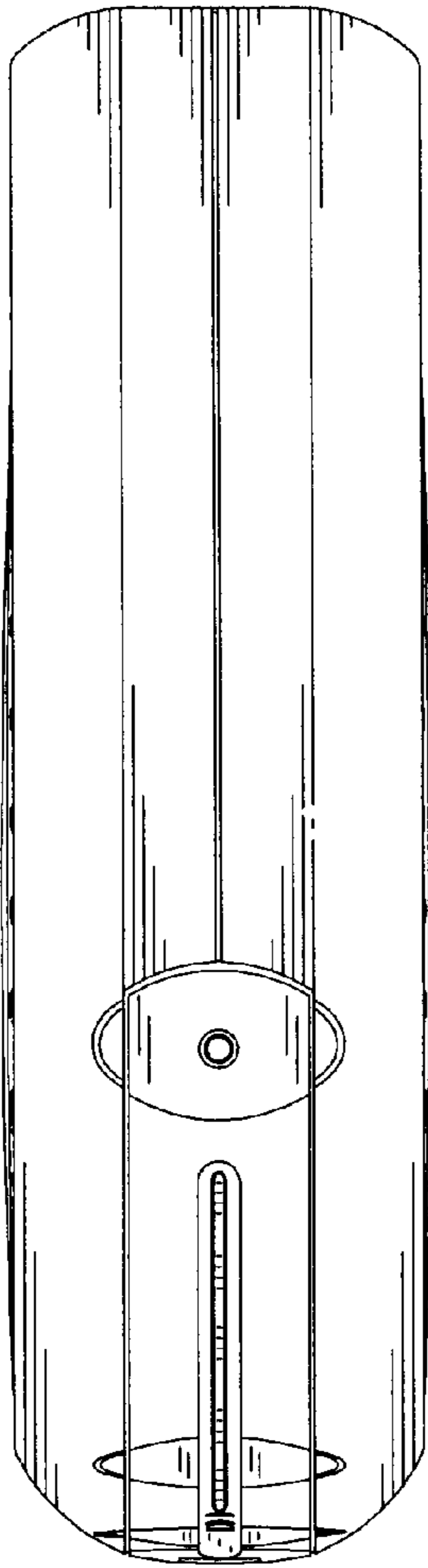


FIG. 6

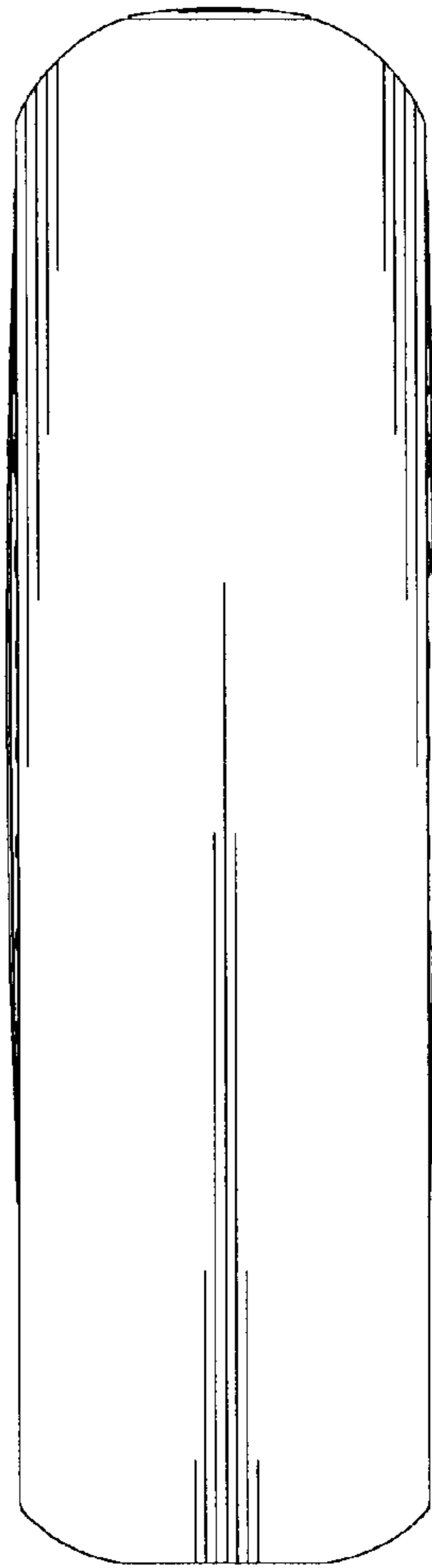


FIG. 7