



US00D459339S

(12) **United States Design Patent**
Tong

(10) **Patent No.:** **US D459,339 S**

(45) **Date of Patent:** **** Jun. 25, 2002**

(54) **TINY SQUARE RADIO**

D425,890 S * 5/2000 Kataoka D14/163
D441,735 S * 5/2001 Katayama D14/156

(75) **Inventor:** **Terence Tong**, Kowloon (HK)

* cited by examiner

(73) **Assignee:** **Sinotec International Co. Ltd.**, Hong Kong (CN)

Primary Examiner—Nanda Bondade

(74) *Attorney, Agent, or Firm*—Dickinson Wright PLLC

(**) **Term:** **14 Years**

(57) **CLAIM**

(21) **Appl. No.:** **29/143,153**

The ornamental design for a tiny square radio, as shown and described.

(22) **Filed:** **Jun. 11, 2001**

DESCRIPTION

(51) **LOC (7) Cl.** **14-03**

(52) **U.S. Cl.** **D14/197**

(58) **Field of Search** D14/135-136,
D14/156-157, 160-165, 167-168, 188,
193-198; 455/344, 347-351

FIG. 1 is a perspective view of tiny square radio showing my new design;

FIG. 2 is a front view thereof;

FIG. 3 is a right side view thereof;

FIG. 4 is a left side view thereof;

FIG. 5 is a rear view thereof;

FIG. 6 is a top view thereof; and,

FIG. 7 is a bottom view thereof.

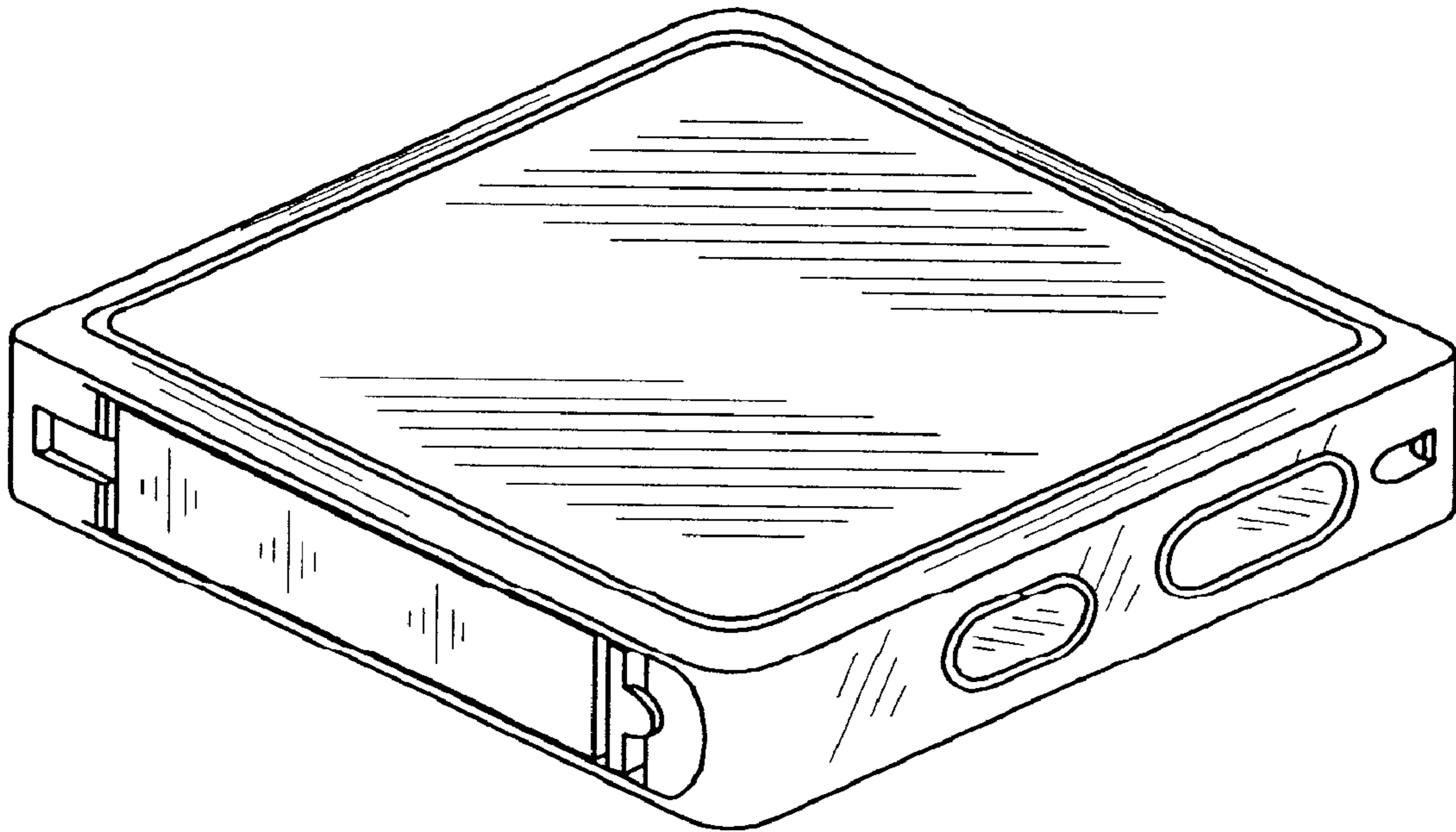
(56) **References Cited**

U.S. PATENT DOCUMENTS

D406,588 S * 3/1999 Sogabe D14/160

D424,564 S * 5/2000 Quaglio et al. D14/197

1 Claim, 3 Drawing Sheets



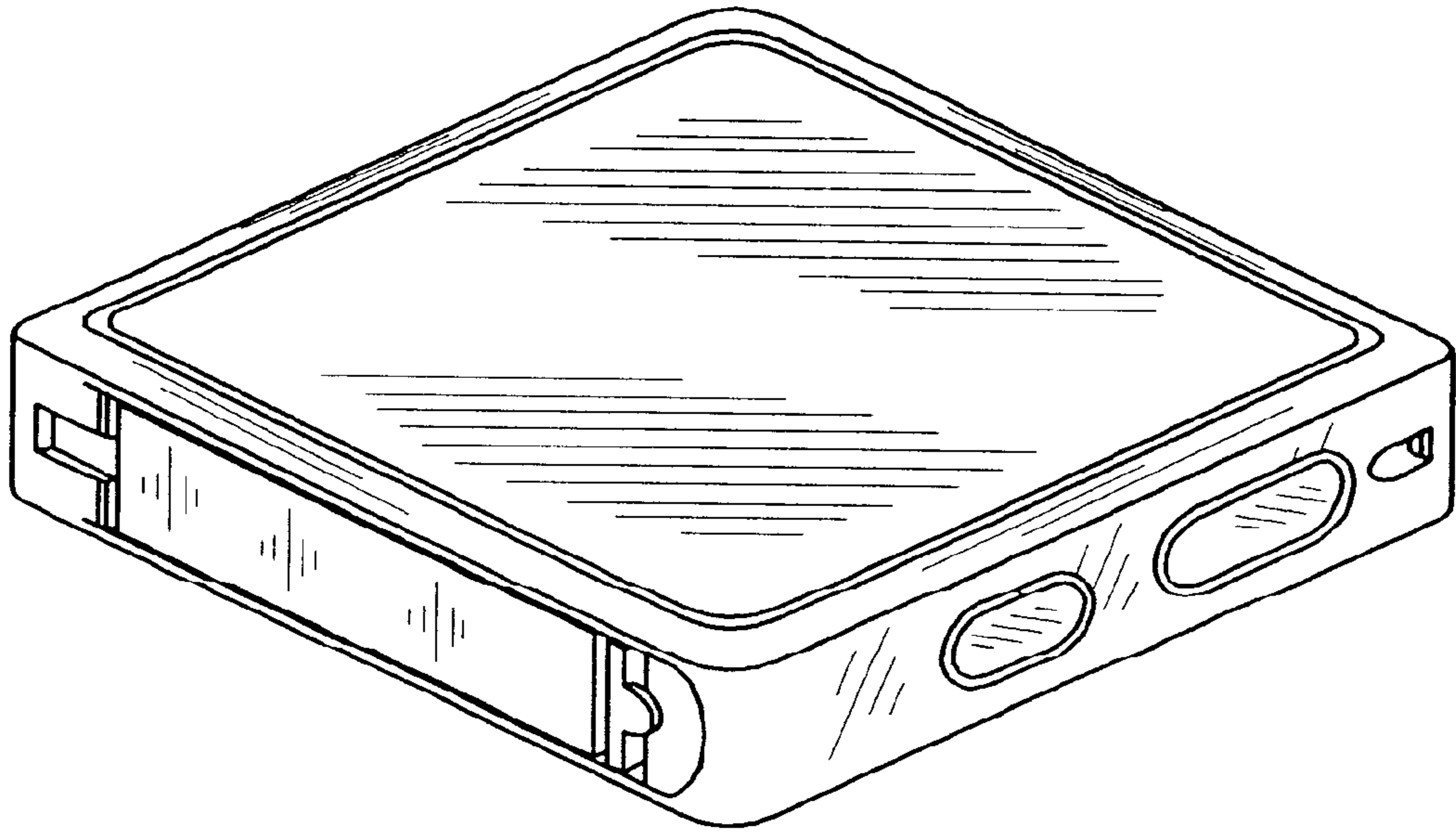


Fig. 1

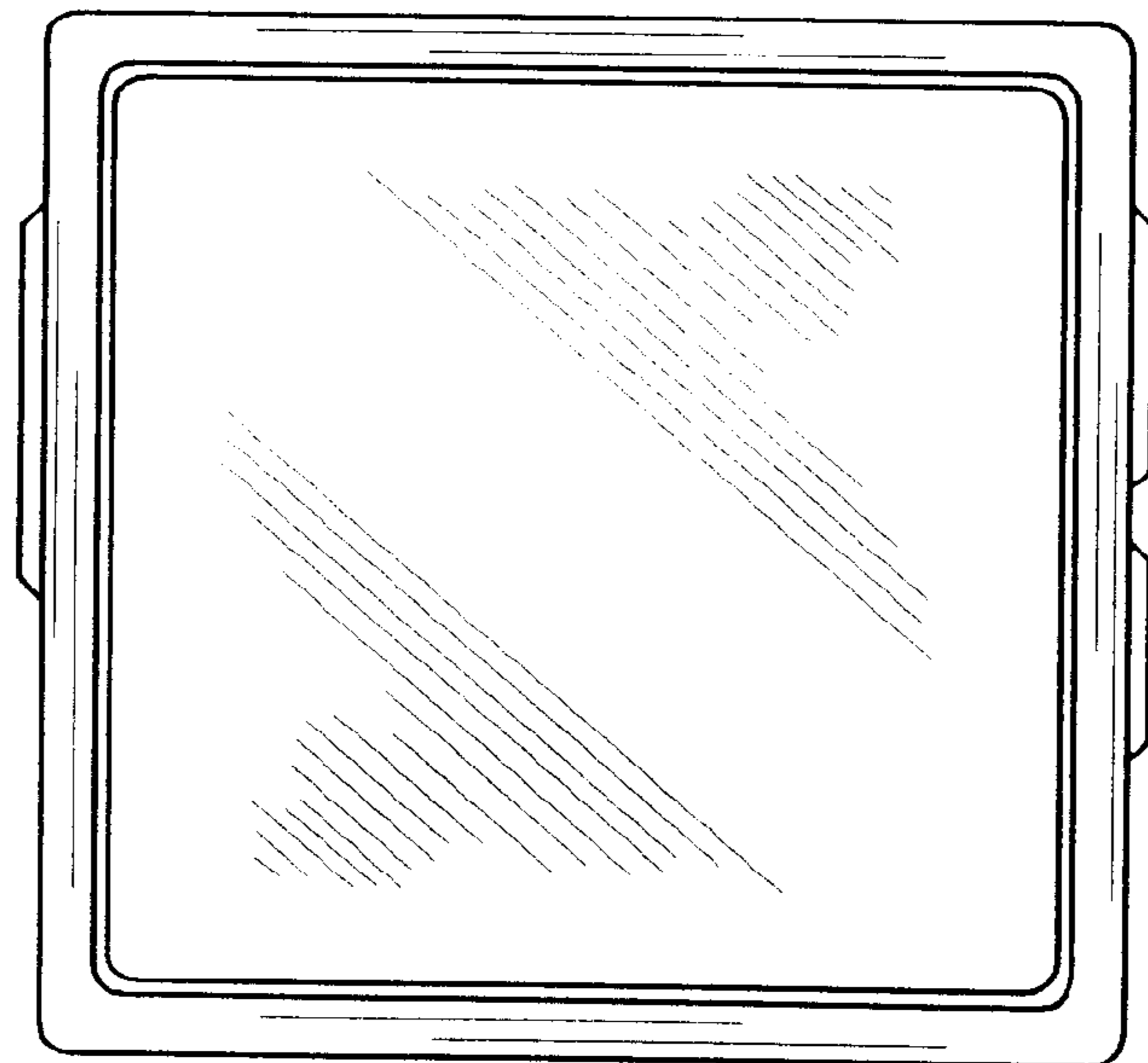


Fig. 2

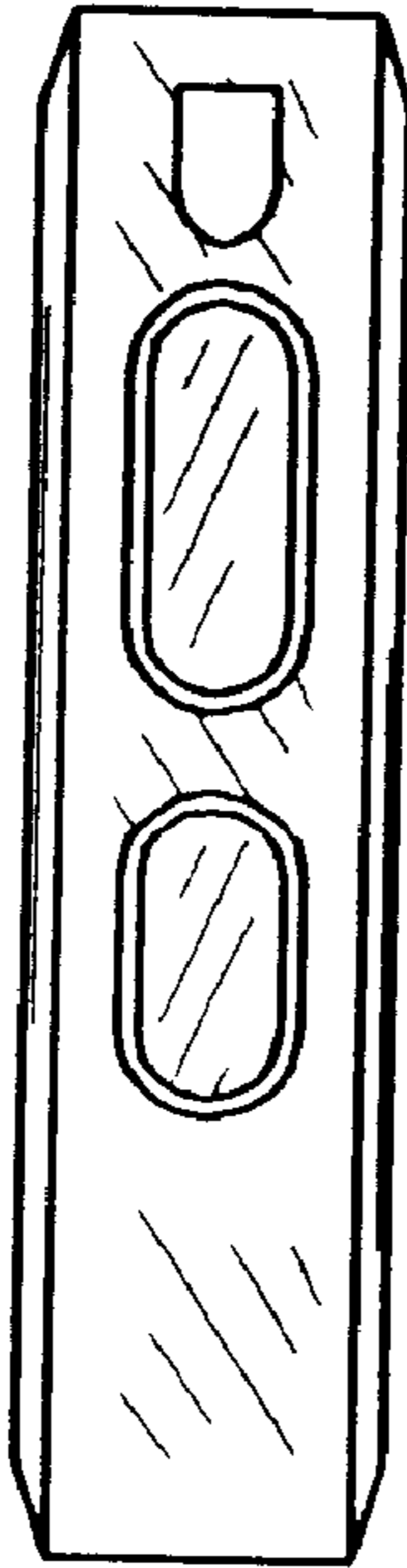


Fig. 3

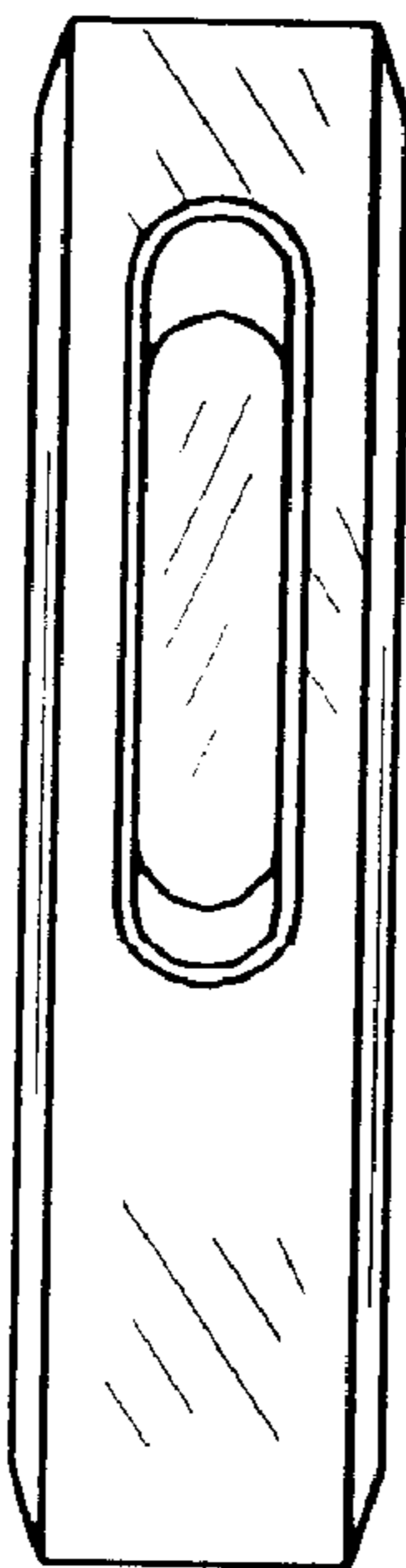


Fig 4

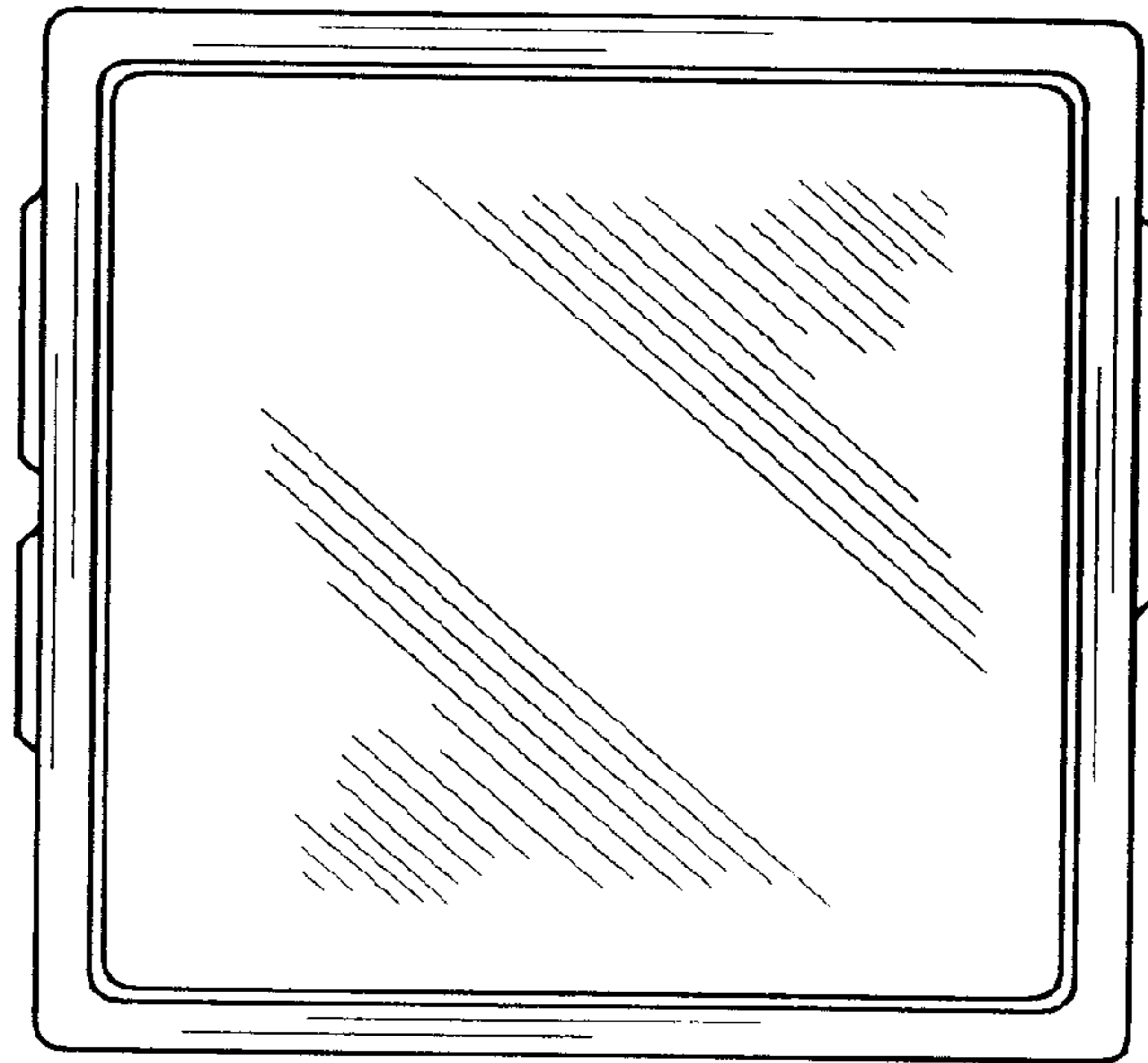


Fig. 5

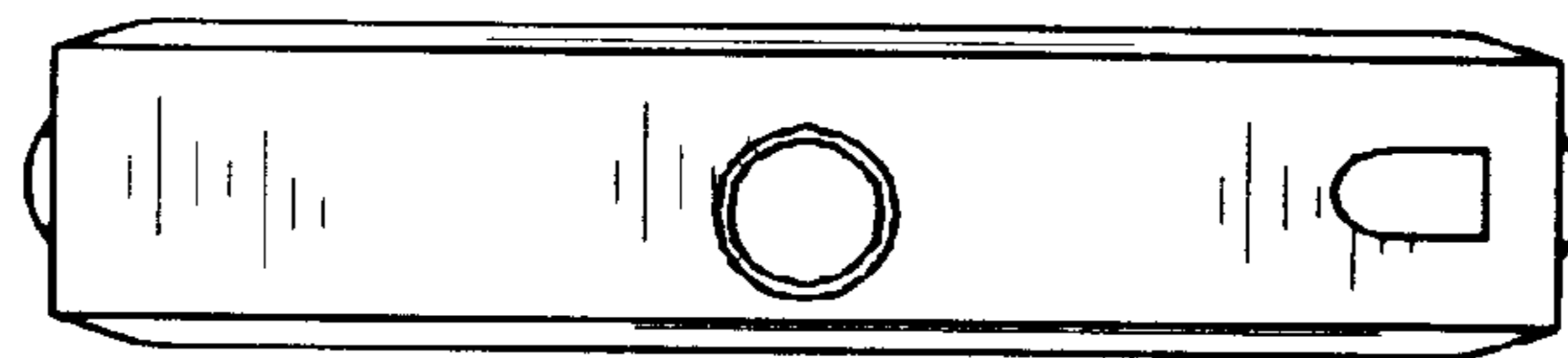


Fig. 6

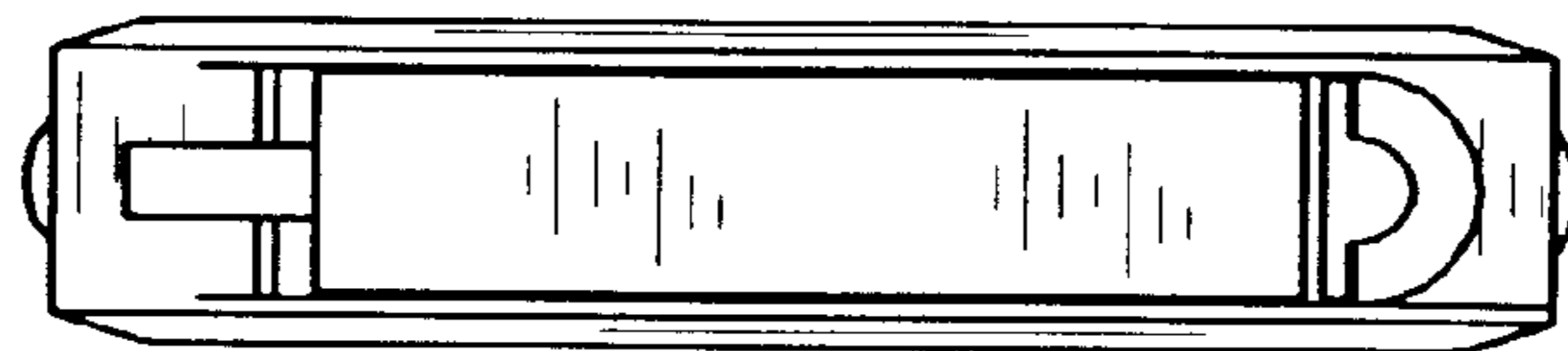


Fig. 7