



US00D459312S

(12) **United States Design Patent**  
**Roesch et al.**

(10) **Patent No.:** **US D459,312 S**  
(45) **Date of Patent:** **\*\* Jun. 25, 2002**

(54) **GANGABLE ELECTRICAL ASSEMBLY**  
(75) Inventors: **Mark A. Roesch**, Brecksville; **David A. Maccarone**, Hudson; **Dennis P. Revlock, Sr.**, Medina, all of OH (US)

(73) Assignee: **The Lamson & Sessions Co.**,  
Cleveland, OH (US)

(\*\*) Term: **14 Years**

(21) Appl. No.: **29/147,758**

(22) Filed: **Sep. 5, 2001**

(51) **LOC (7) Cl.** ..... **13-03**

(52) **U.S. Cl.** ..... **D13/152**

(58) **Field of Search** ..... D13/152; 174/48,  
174/49, 50, 58, 65 R, 53; 220/3.2, 3.3,  
3.9, 3.92, 3.94

(56) **References Cited**

**U.S. PATENT DOCUMENTS**

1,818,317 A	8/1931	Gilmore	
2,644,600 A	6/1953	Senif .....	220/3.9
3,601,276 A	8/1971	Culpepper .....	220/3.8
3,676,571 A	7/1972	Rubinstein .....	174/65
3,862,351 A	1/1975	Schindler et al. ....	174/58
3,863,037 A	* 1/1975	Schindler et al. ....	174/58
4,135,337 A	1/1979	Medlin .....	52/221
4,140,293 A	2/1979	Hansen .....	248/217.2
4,533,060 A	8/1985	Medlin .....	220/3.9
4,572,391 A	2/1986	Medlin .....	220/3.9
4,612,412 A	9/1986	Johnston .....	174/65 R
4,844,275 A	7/1989	Schnell et al. ....	220/3.9
4,927,039 A	5/1990	McNab .....	220/3.7
4,968,855 A	11/1990	Le Paillier .....	174/48
5,005,792 A	4/1991	Rinderer .....	248/205.1
5,014,043 A	5/1991	Lopetrone et al. ....	340/664
5,064,386 A	11/1991	Dale et al. ....	439/535
5,114,365 A	5/1992	Thompson et al. ....	439/540
5,125,527 A	6/1992	Parlatore et al. ....	220/266
5,243,134 A	9/1993	Nattel .....	174/53
5,263,676 A	11/1993	Medlin, Jr. et al. ....	248/300
D345,142 S	3/1994	Porter .....	D13/156

5,289,934 A	*	3/1994	Smith et al. ....	220/3.7
5,301,437 A		4/1994	Burke .....	33/562
5,354,953 A		10/1994	Nattell et al. ....	174/54
5,357,055 A		10/1994	Sireci .....	174/48
5,408,045 A		4/1995	Jorgensen et al. ....	174/58

(List continued on next page.)

**OTHER PUBLICATIONS**

Article from Electrical Product News entitled "New Union Dual Voltage Nonmetallic Box Introduced by Thomas & Betts"; Feb., 2001, p. 7.

*Primary Examiner*—Jennifer Rivard

(74) *Attorney, Agent, or Firm*—Jones, Day, Reavis & Pogue

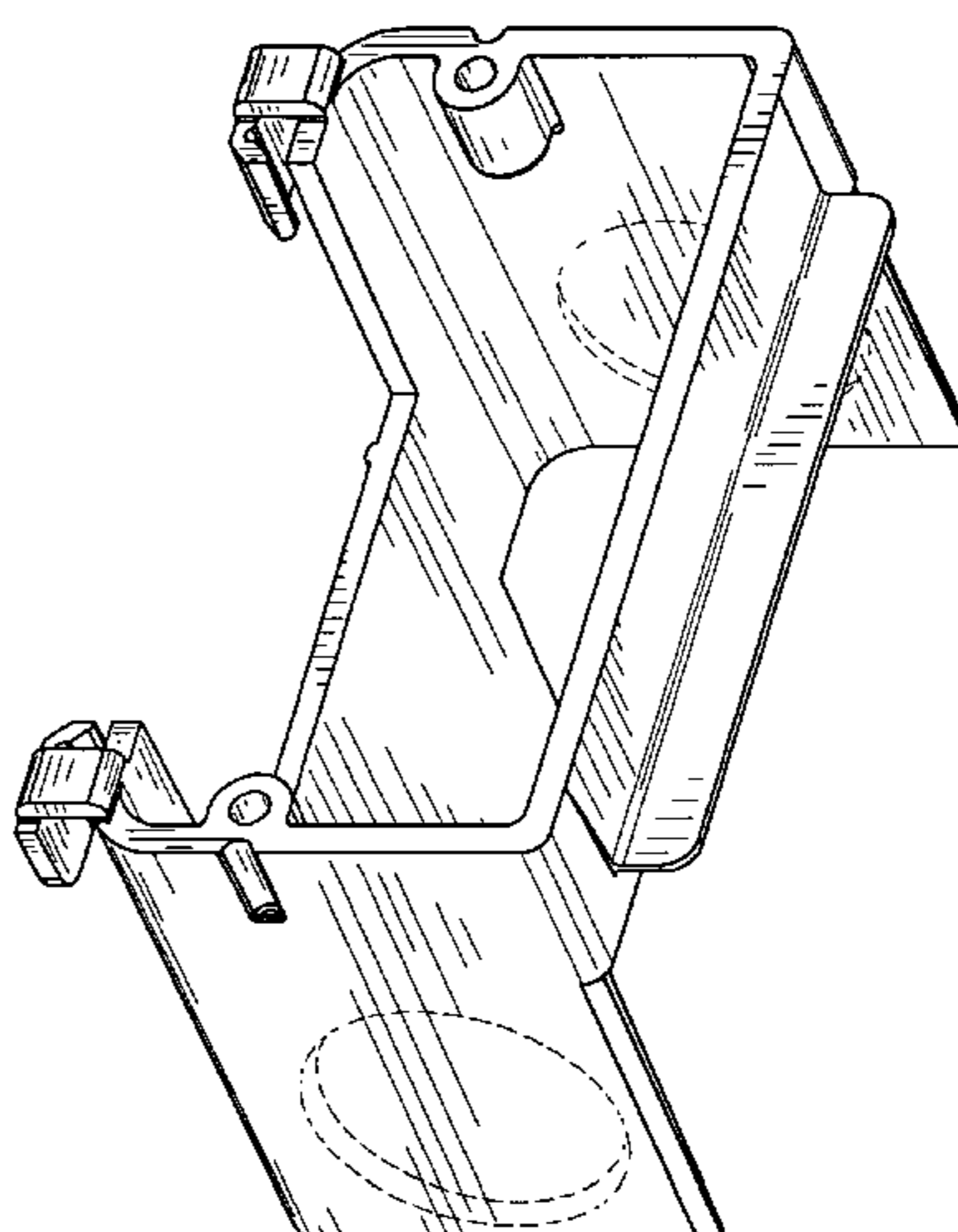
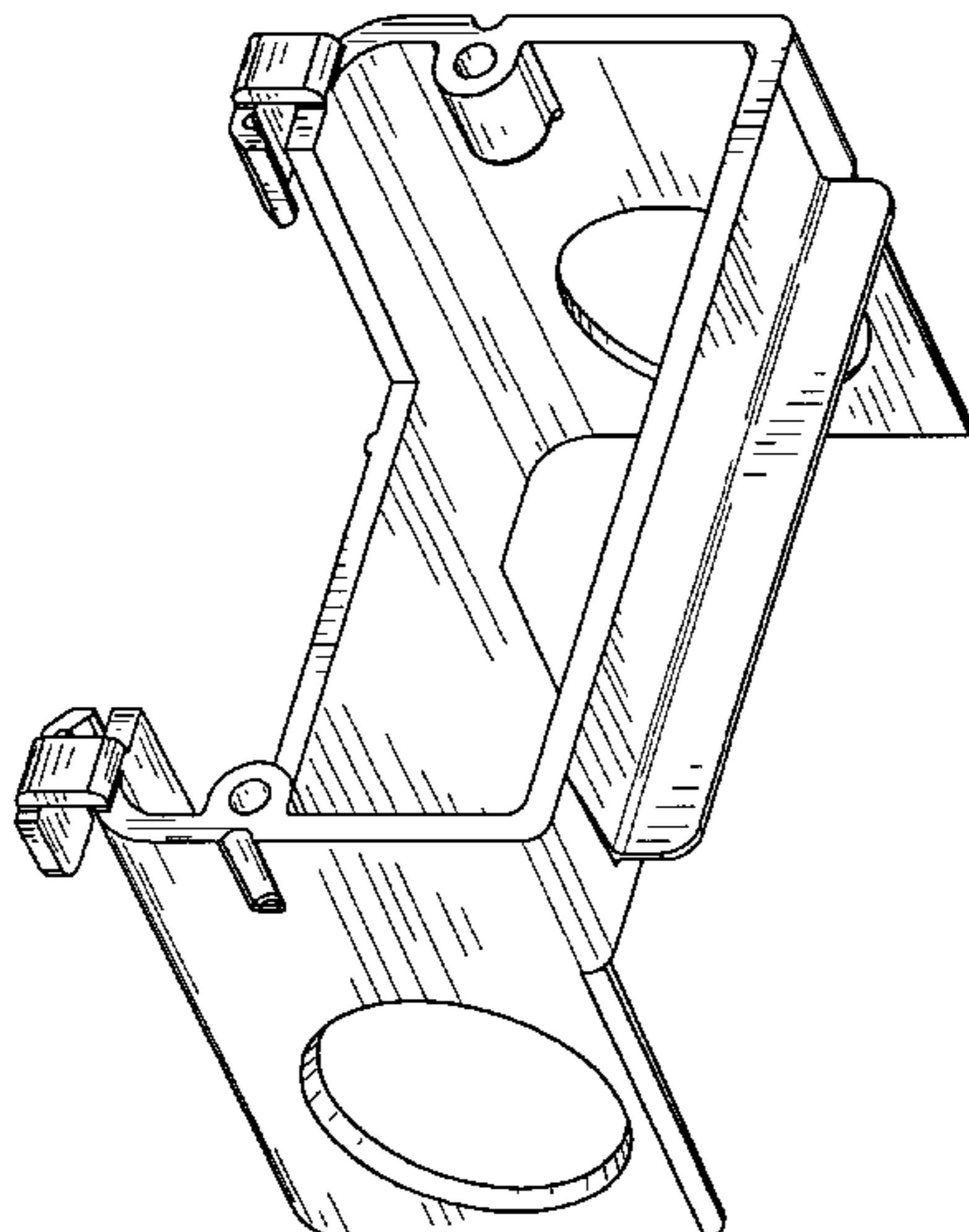
(57) **CLAIM**

The ornamental design for a gangable electrical assembly, as shown and described.

**DESCRIPTION**

FIG. 1 is a perspective view of the gangable electrical assembly of our new design;  
 FIG. 2 is a front view thereof;  
 FIG. 3 is a rear view thereof;  
 FIG. 4 is a top view thereof;  
 FIG. 5 is a bottom view thereof;  
 FIG. 6 is a right side view thereof;  
 FIG. 7 is a left side view thereof;  
 FIG. 8 is a perspective view of an alternative embodiment of the gangable electrical assembly of our new design similar to that of FIG. 1, but showing parts of the assembly in phantom;  
 FIG. 9 is a front view thereof;  
 FIG. 10 is a rear view thereof;  
 FIG. 11 is a top view thereof;  
 FIG. 12 is a bottom view thereof;  
 FIG. 13 is a right side view thereof; and,  
 FIG. 14 is a left side view thereof.  
 The broken line showings of FIGS. 8–14 are for illustrative purposes only and form no part of the claimed design.

**1 Claim, 8 Drawing Sheets**



# US D459,312 S

Page 2

## U.S. PATENT DOCUMENTS

5,448,011 A	9/1995	Laughlin	174/48	5,883,331 A	3/1999	Reiker	174/54
5,486,650 A	1/1996	Yetter	174/53	5,965,844 A	10/1999	Lippa	174/49
5,509,560 A	4/1996	Nash	220/3.9	D422,266 S	4/2000	Roesch	D13/152
5,594,207 A	1/1997	Fabian et al.	174/58	6,051,785 A	4/2000	Baldwin et al.	174/54
5,596,174 A	1/1997	Sapienza	174/57	6,057,509 A	5/2000	Simmons	174/53
5,598,998 A	2/1997	Lynn	248/300	D427,889 S	7/2000	Gretz	D8/354
5,646,371 A	7/1997	Fabian	174/58	6,091,023 A	7/2000	O'Donnell	174/57
5,677,512 A	10/1997	Reiker	174/58	6,093,890 A	7/2000	Gretz	174/58
5,710,392 A	1/1998	Bordwell et al.	174/50	6,103,974 A	8/2000	Erdfarb	174/66
5,717,164 A	2/1998	Shetterly	174/58	6,108,331 A	8/2000	Thompson	370/352
5,789,706 A *	8/1998	Perkins	174/135	6,147,304 A	11/2000	Doherty	174/48
5,810,303 A	9/1998	Bourassa et al.	248/205.1	6,204,450 B1	3/2001	Reiker	174/58
5,833,110 A *	11/1998	Chandler et al.	220/3.3	6,207,898 B1	3/2001	Reiker	174/61
5,841,068 A	11/1998	Umstead et al.	174/58	6,242,696 B1	6/2001	Reiker	174/62
D404,715 S	1/1999	Almond	D13/152	6,281,439 B1	8/2001	Reiker	174/62
5,863,016 A	1/1999	Makwinski et al.	248/27.1	6,300,567 B1 *	10/2001	Hayduke et al.	174/58
D405,422 S	2/1999	Tennefoss et al.	D13/152				

\* cited by examiner

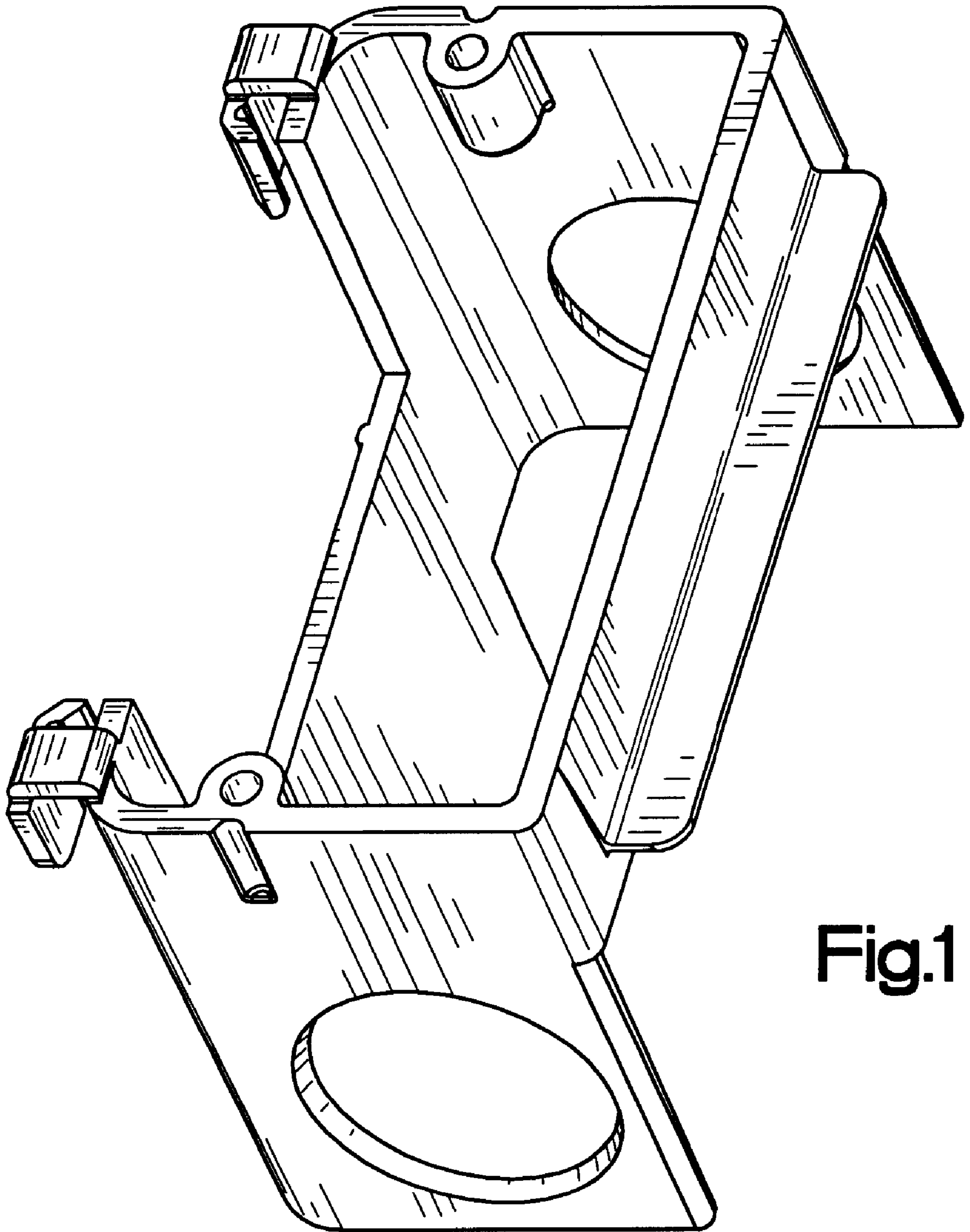


Fig.1

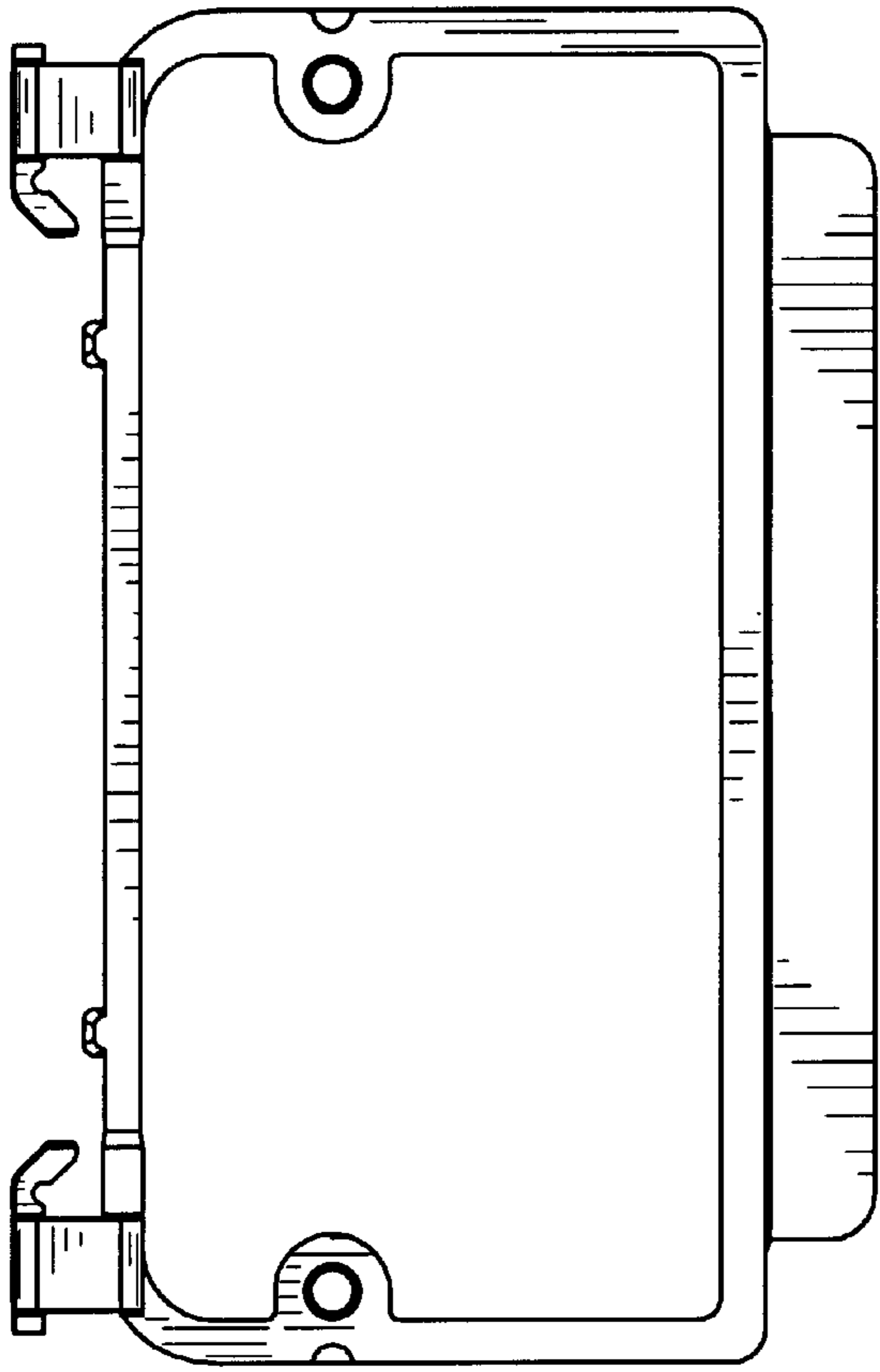


Fig.2

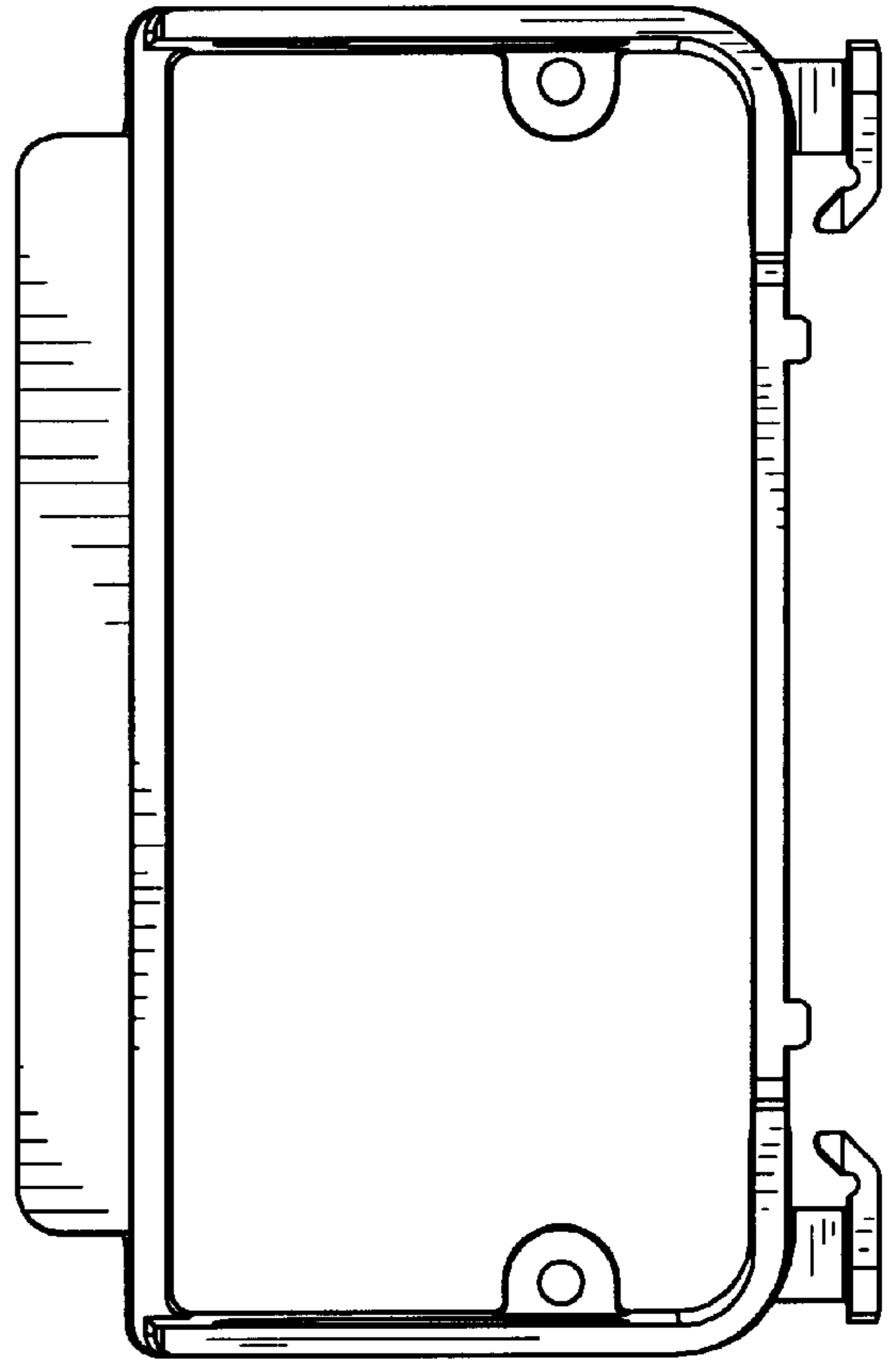


Fig.3

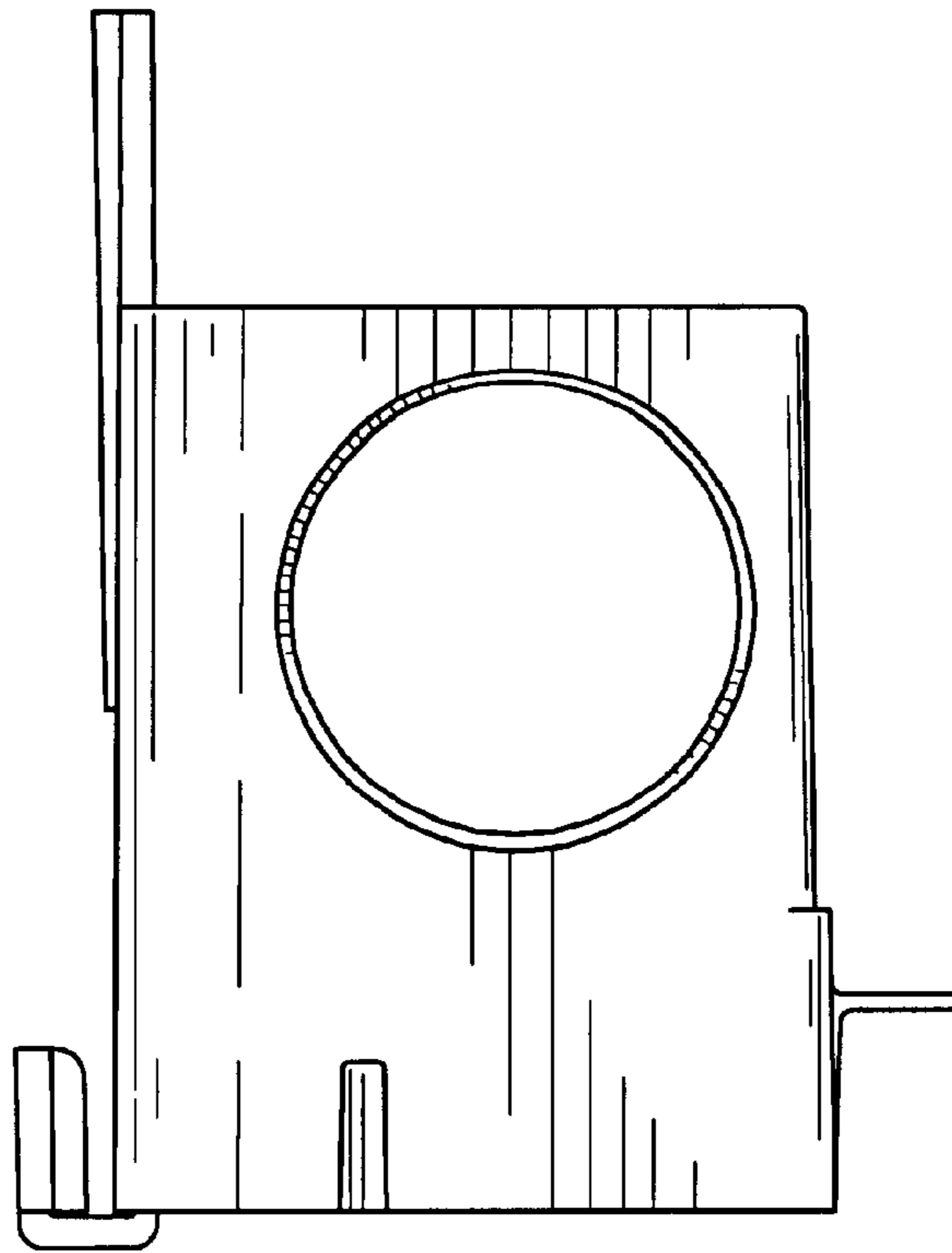


Fig.4

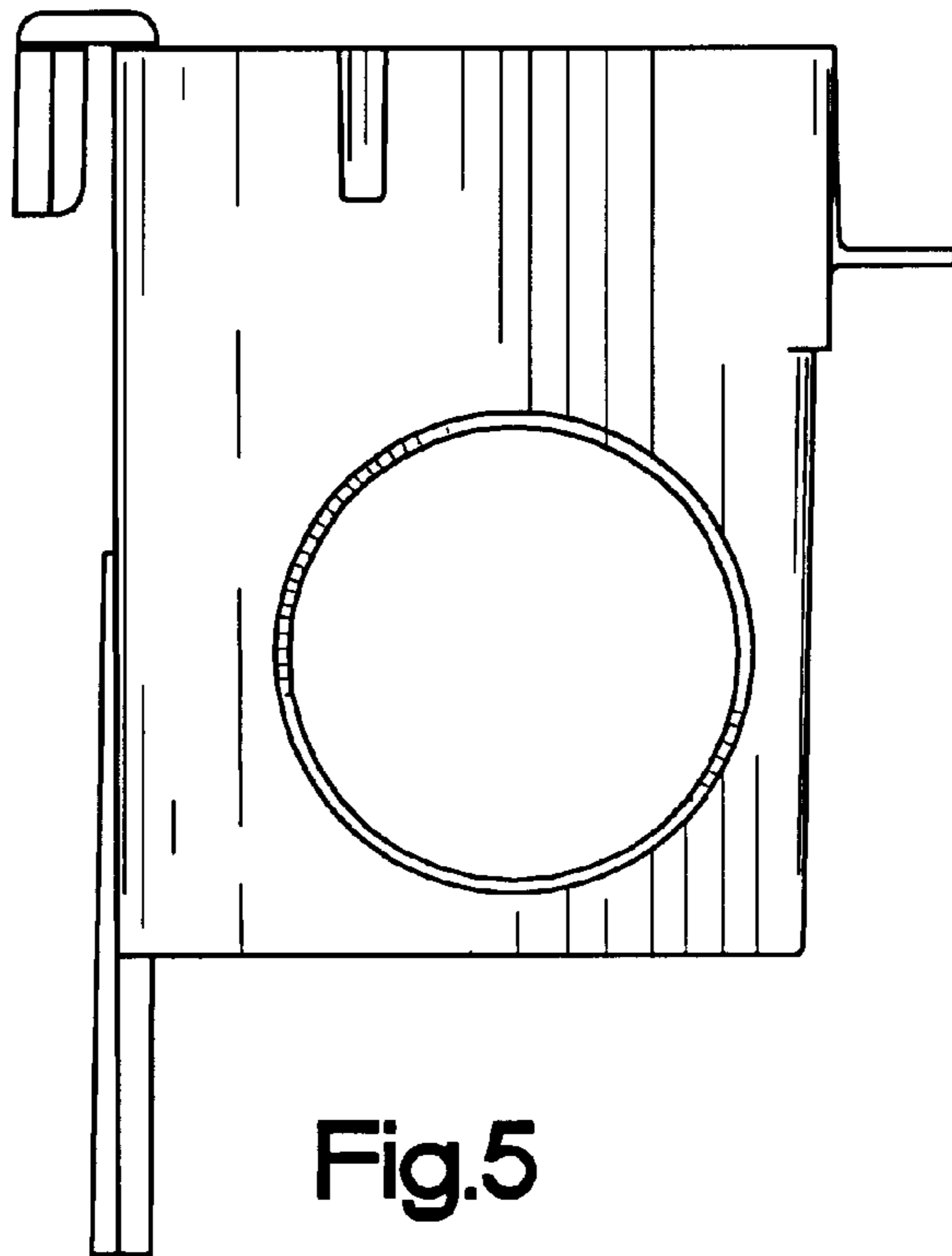


Fig.5

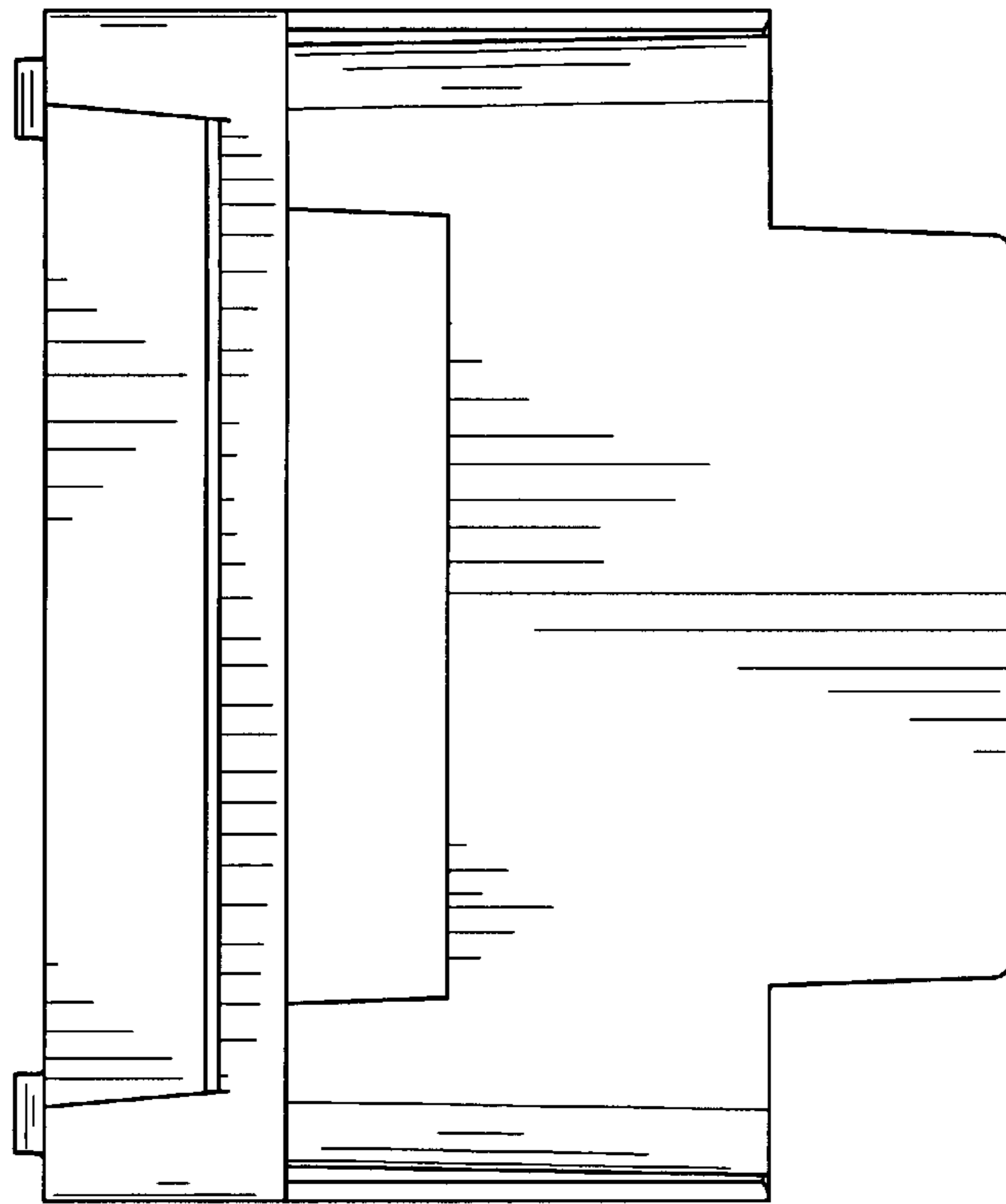


Fig.6

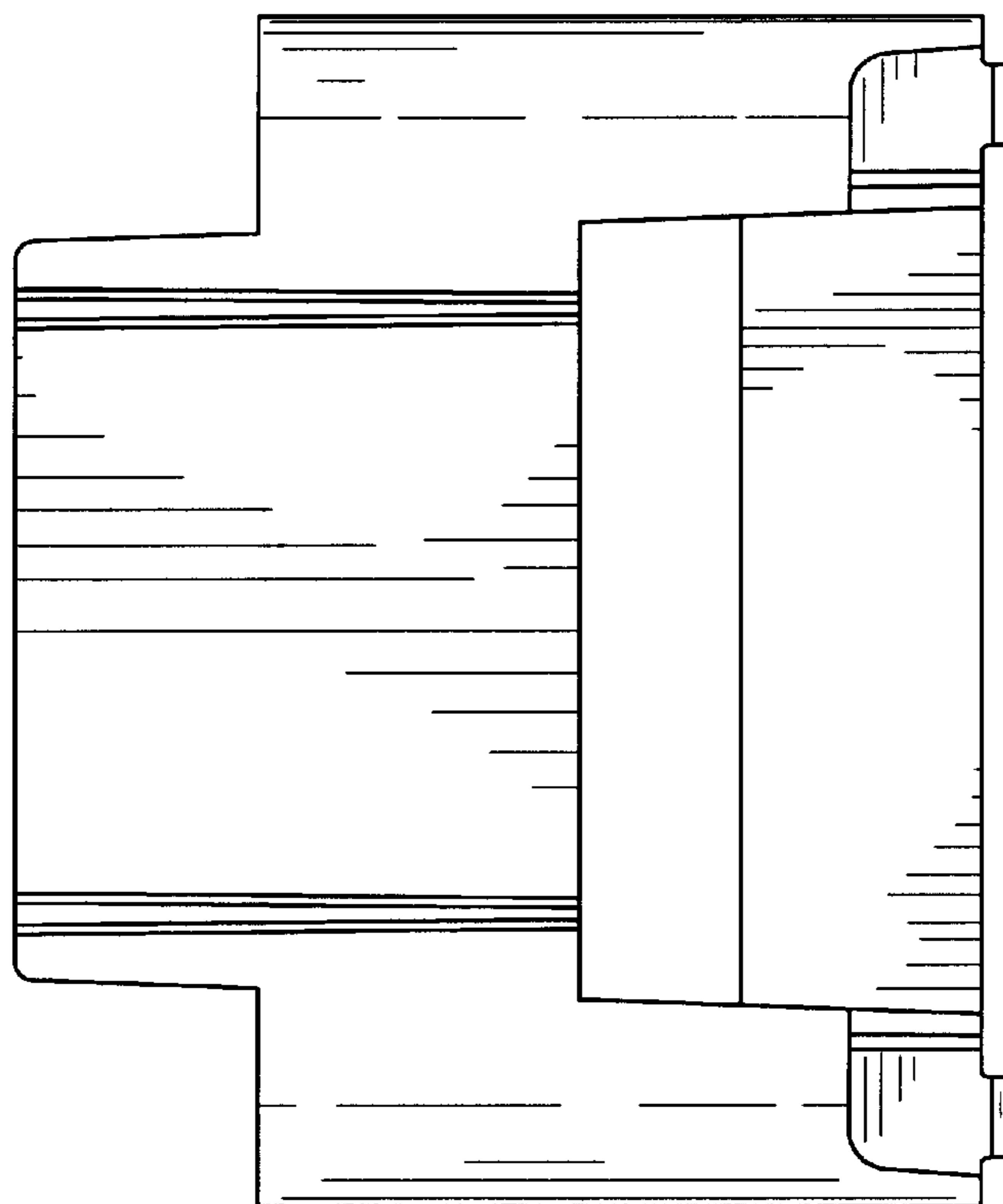
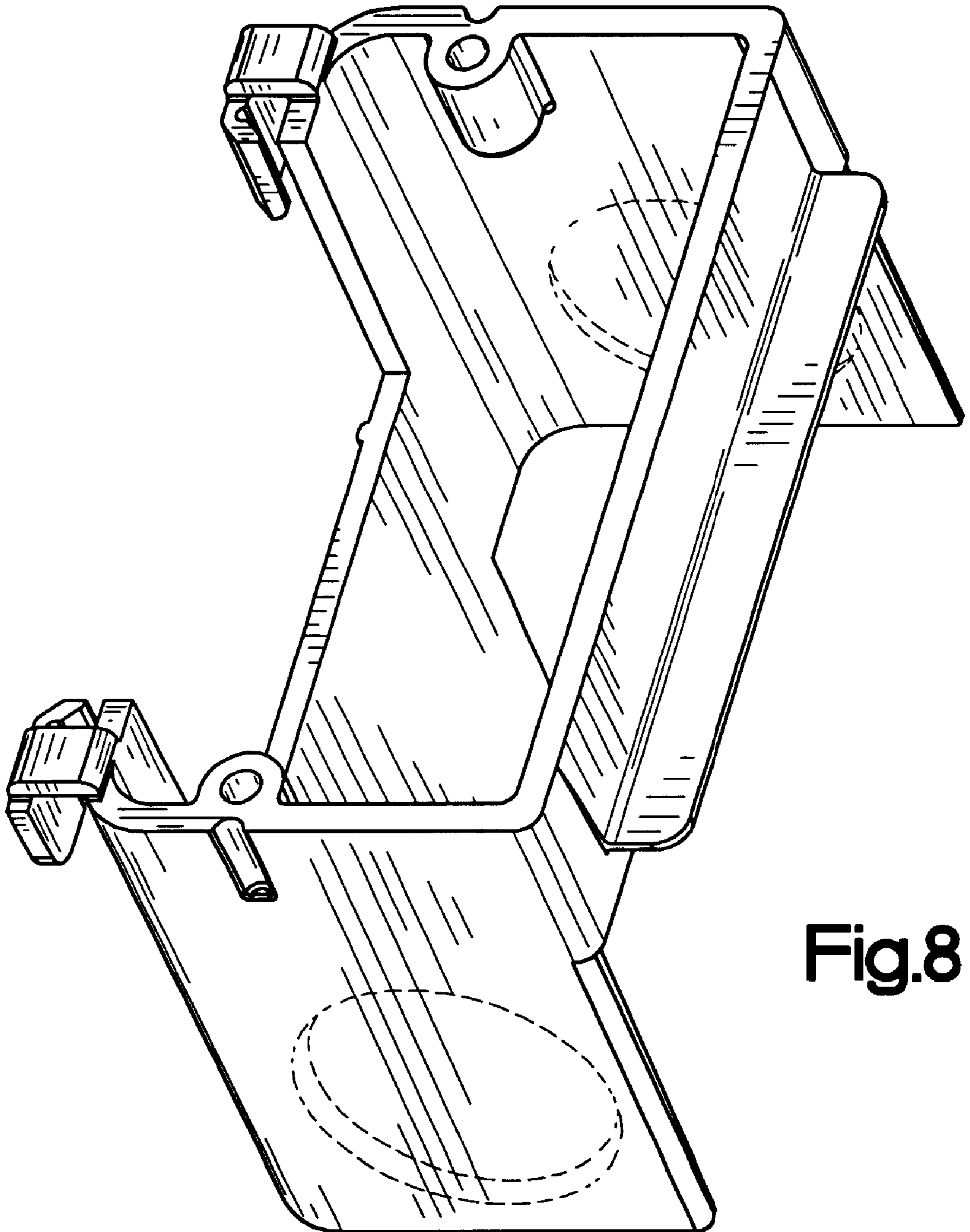


Fig.7



**Fig.8**

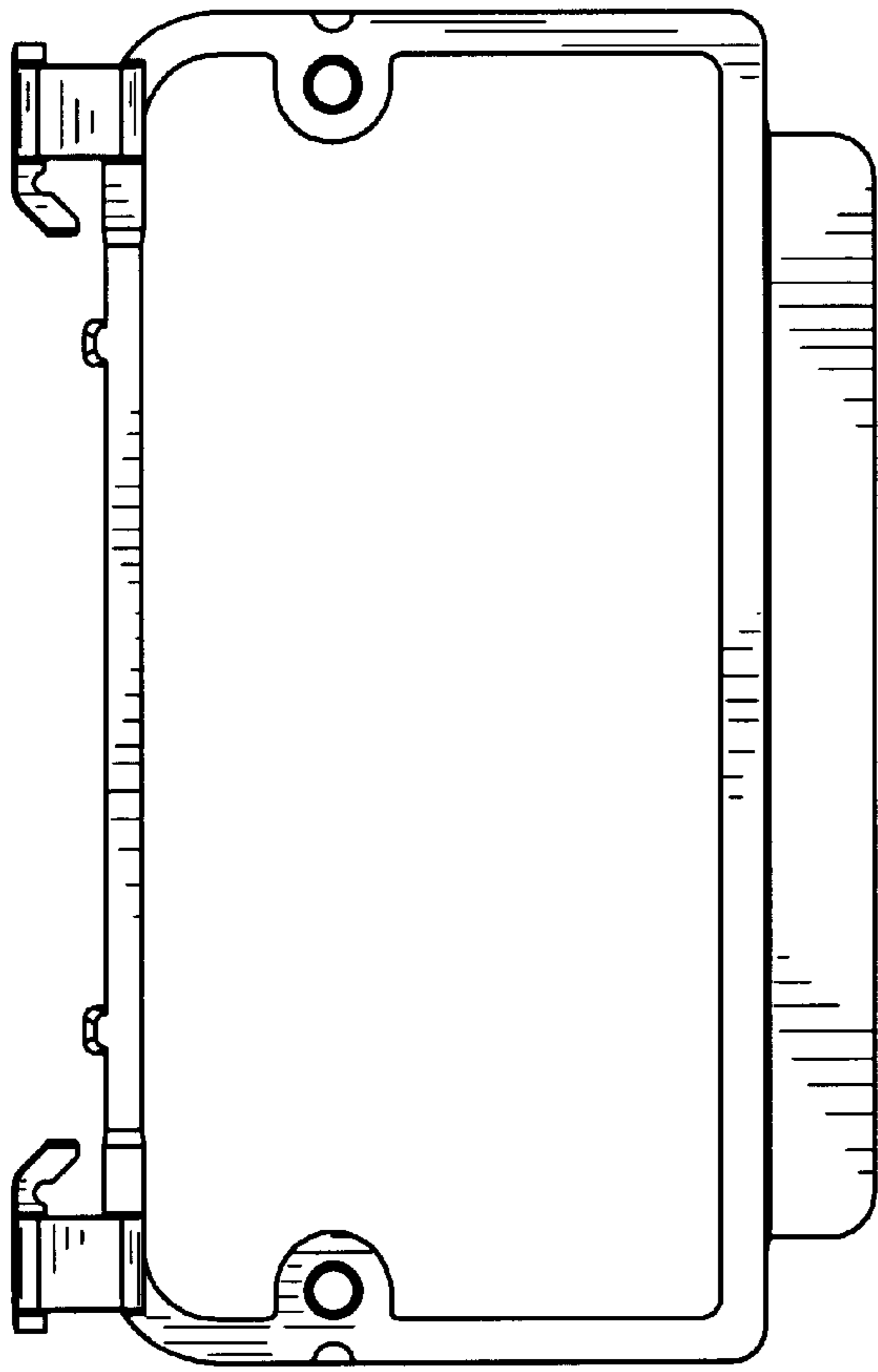


Fig.9

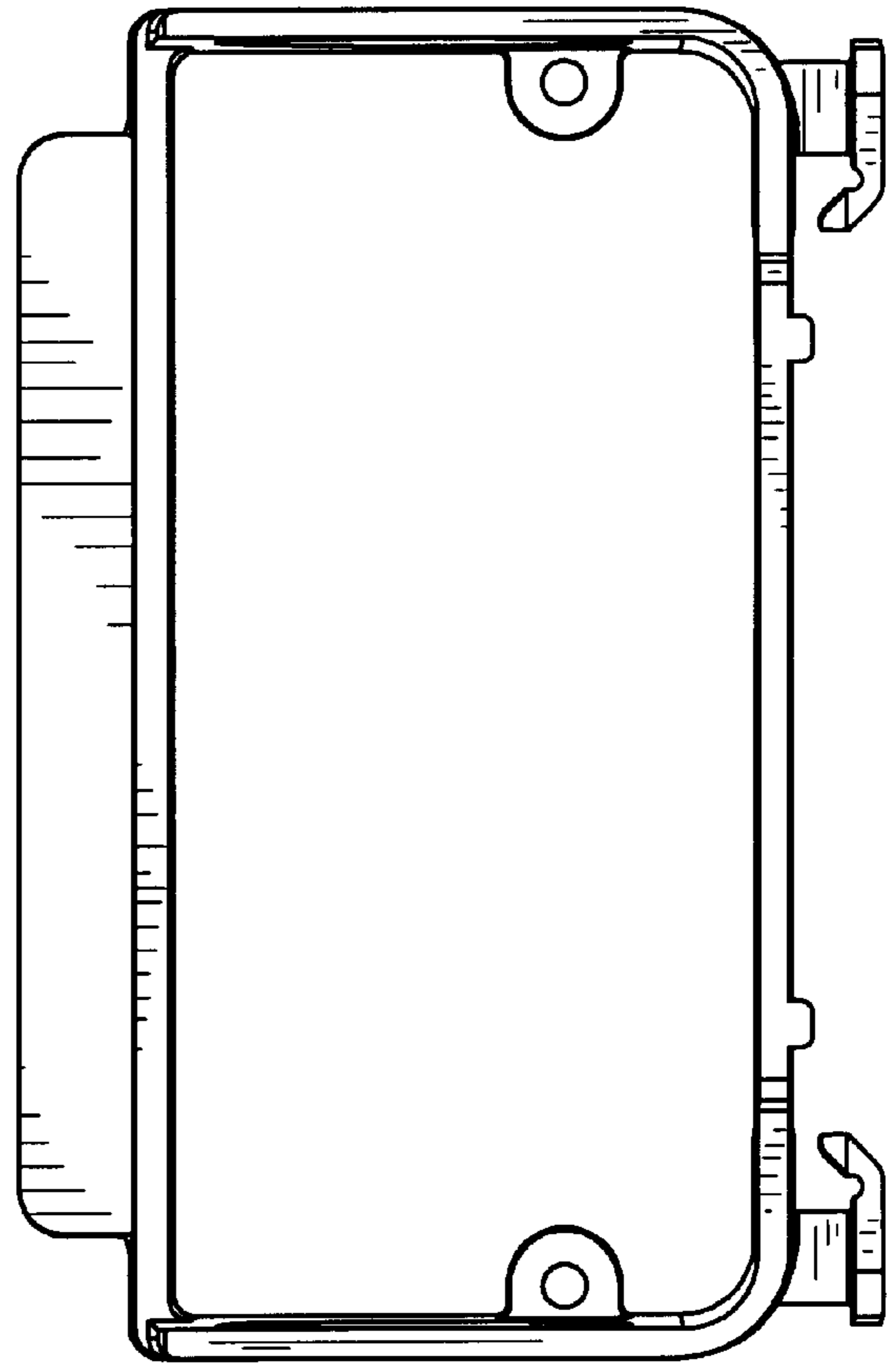


Fig.10



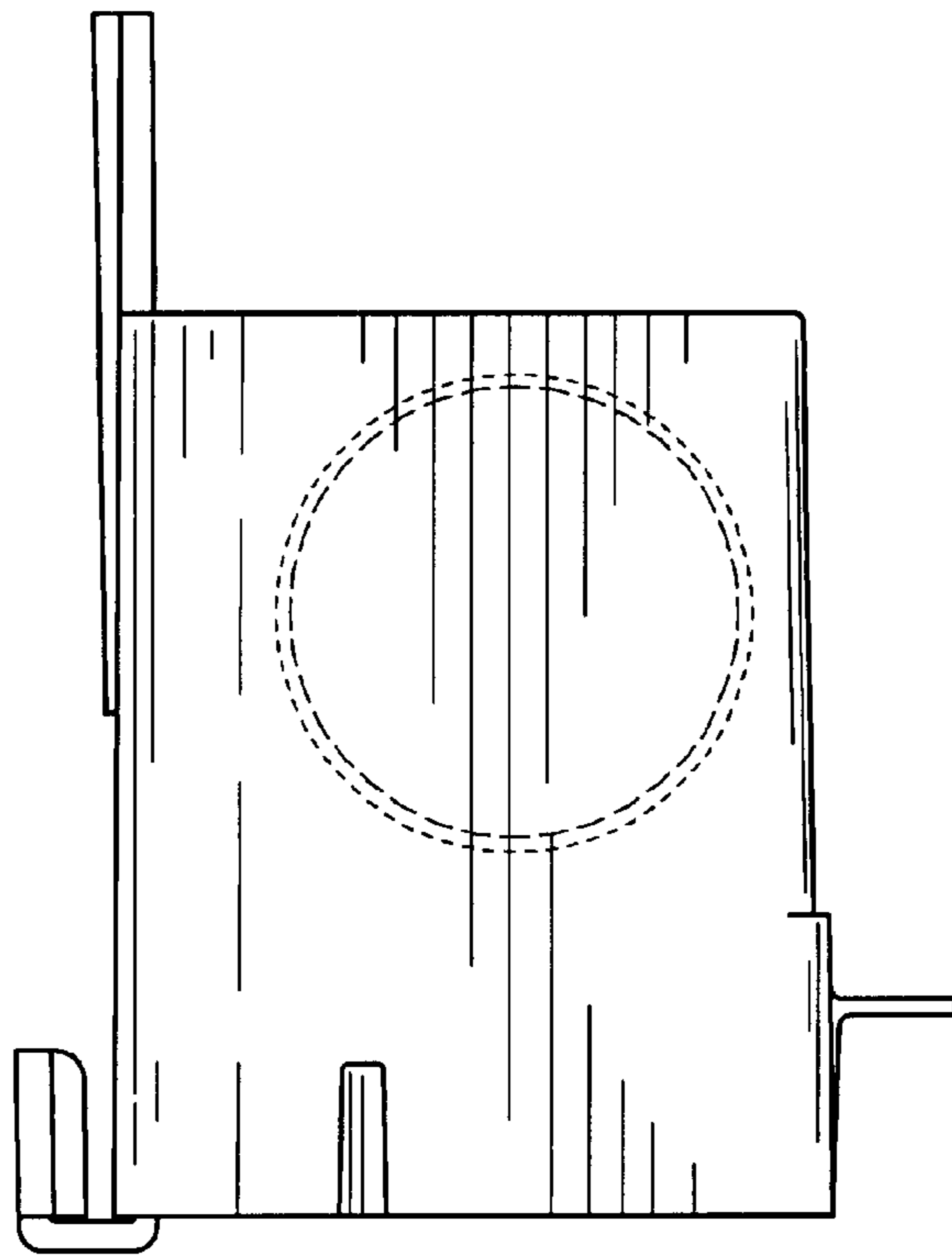


Fig.1

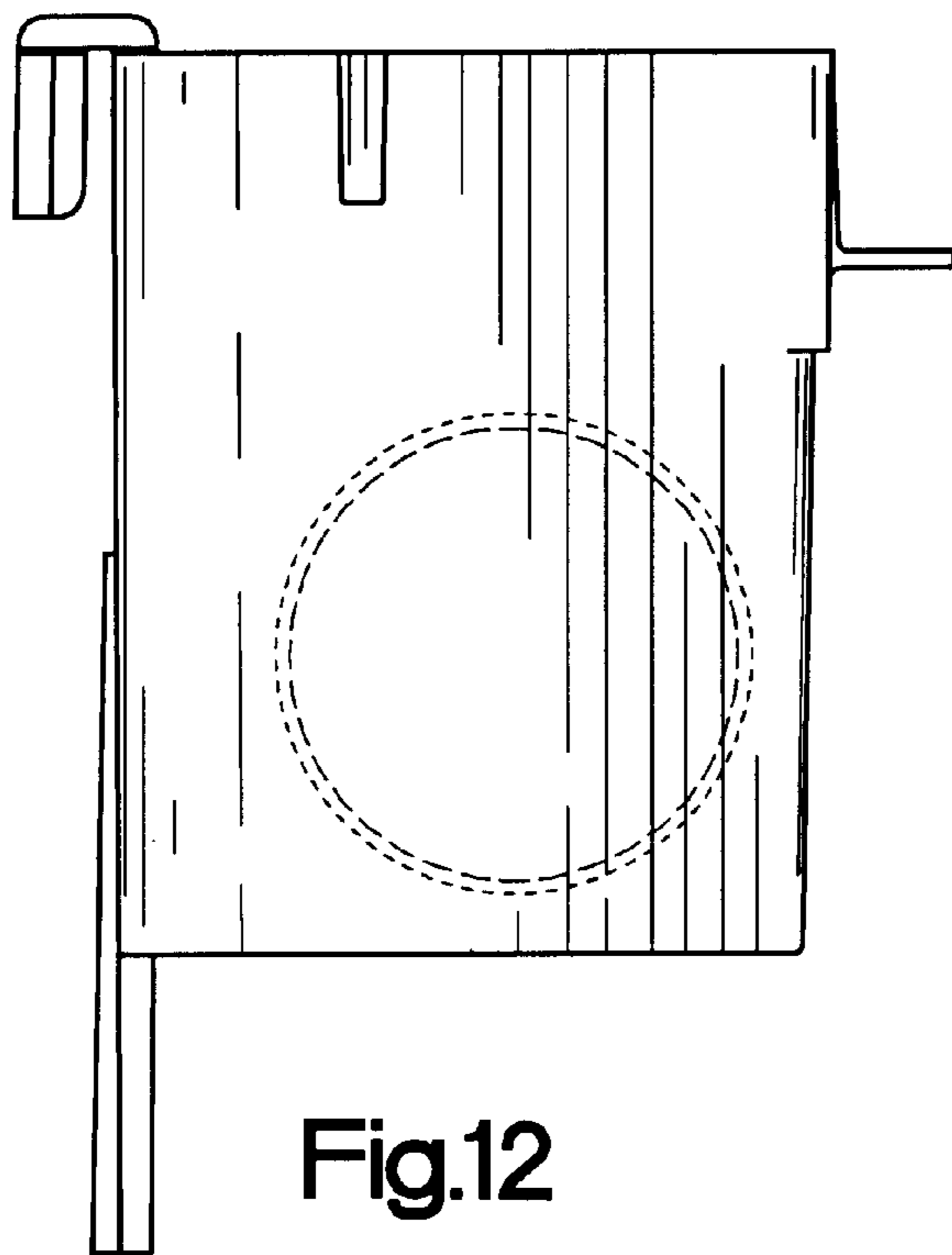


Fig.12

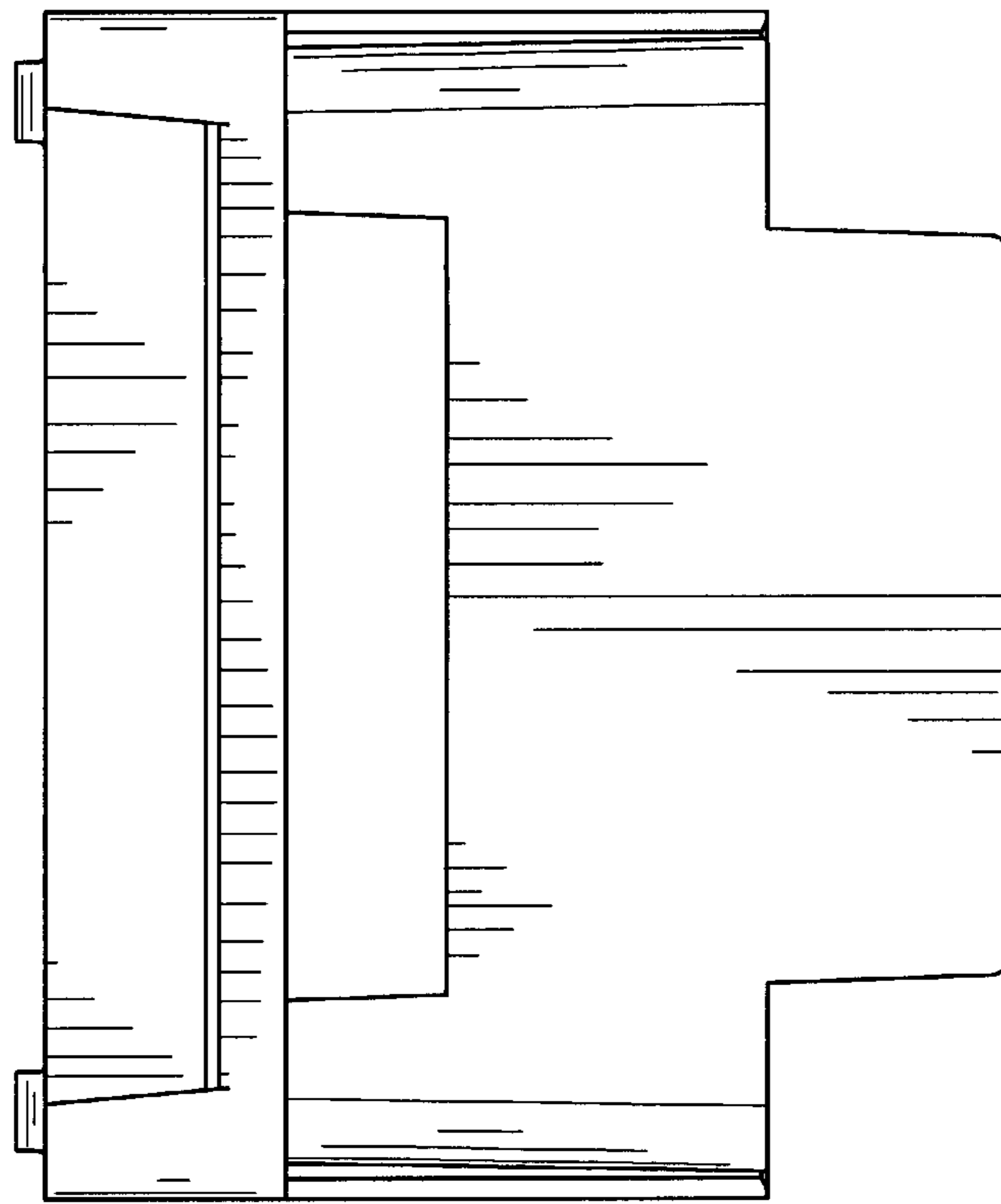


Fig.13

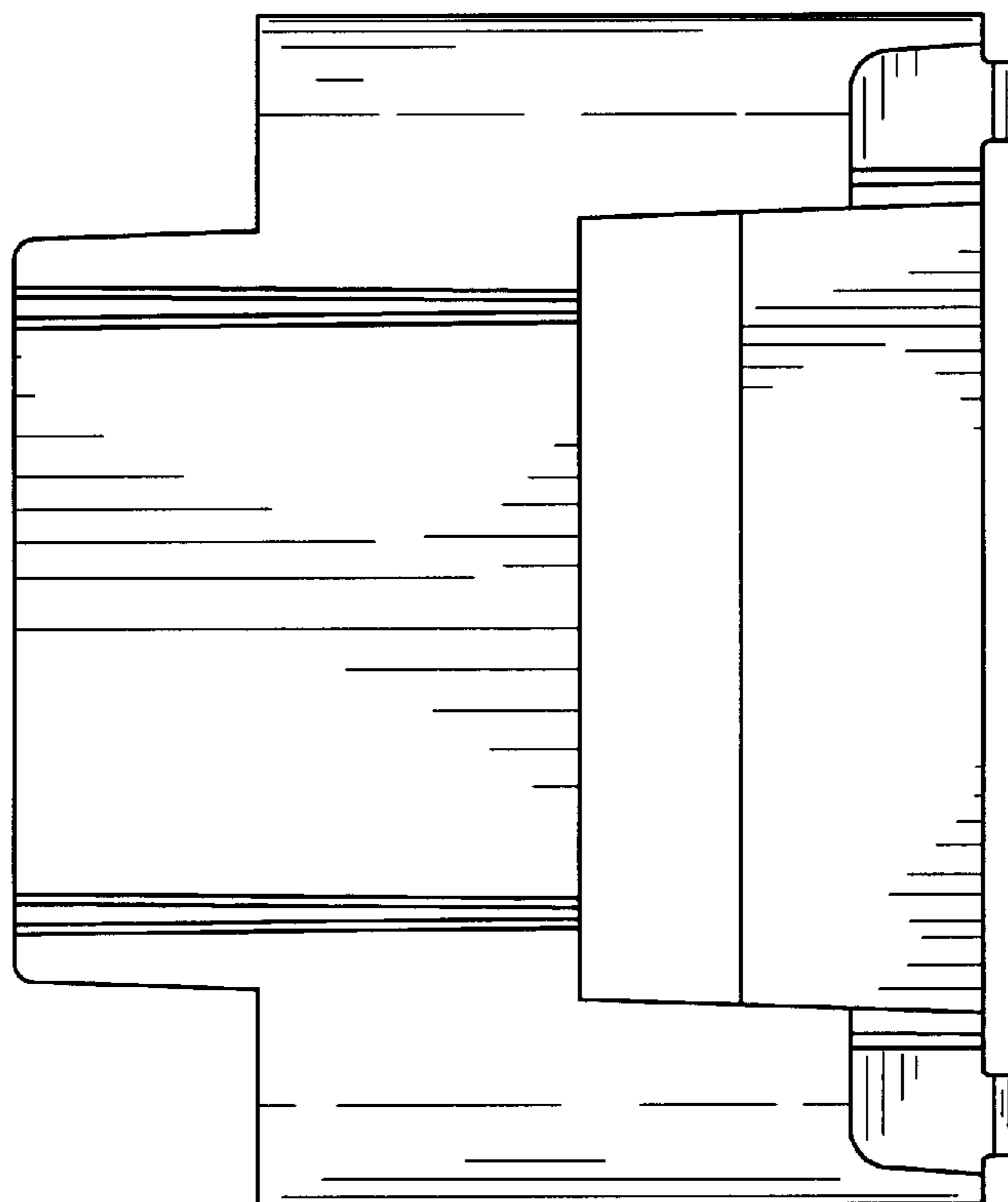


Fig.14