



US00D459311S

(12) **United States Design Patent**
Chen

(10) **Patent No.:** **US D459,311 S**

(45) **Date of Patent:** **** Jun. 25, 2002**

(54) **CONNECTOR HOUSING**

(75) Inventor: **Ping Chen**, West Bloomfield, MI (US)

(73) Assignee: **J.S.T. Mfg. Co., Ltd.**, Osaka (JP)

(**) Term: **14 Years**

(21) Appl. No.: **29/146,344**

(22) Filed: **Aug. 9, 2001**

(30) **Foreign Application Priority Data**

Feb. 14, 2001 (JP) 2001-003140

(51) **LOC (7) Cl.** **13-03**

(52) **U.S. Cl.** **D13/147**

(58) **Field of Search** D13/147; 439/350,
439/352, 353, 354, 357, 752, 358

(56) **References Cited**

U.S. PATENT DOCUMENTS

- 3,409,858 A * 11/1968 Krehbiel 439/354
- 4,950,179 A * 8/1990 Takenouchi et al. 439/352
- D320,000 S * 9/1991 Takenouchi et al. D13/146
- D324,852 S * 3/1992 Takenouchi et al. D13/133
- D328,589 S * 8/1992 Ohkura et al. D13/133
- D331,910 S * 12/1992 Sato et al. D13/133
- D331,911 S * 12/1992 Sato et al. D13/133

- D413,101 S * 8/1999 Avery et al. D13/147
- 6,109,955 A * 8/2000 Hanazaki et al. 439/352 X
- 6,116,939 A * 9/2000 Fukuda 439/354
- 6,179,643 B1 * 1/2001 Fukuda 439/358

* cited by examiner

Primary Examiner—Joel Sincavage

(74) *Attorney, Agent, or Firm*—Antonelli, Terry, Stout & Kraus, LLP

(57) **CLAIM**

The ornamental design for a connector housing, as shown and described.

DESCRIPTION

FIG. 1 is a top plan view thereof;
 FIG. 2 is a front elevation thereof;
 FIG. 3 is a bottom plan view thereof;
 FIG. 4 is a right-side elevation thereof;
 FIG. 5 is a rear elevation thereof;
 FIG. 6 is a cross section taken along the line 6—6 in FIG. 2; and,
 FIG. 7 is a perspective view.

A left-side elevation of the connector housing is symmetrical with the right-side elevation, and is therefore excluded from the drawings.

1 Claim, 3 Drawing Sheets

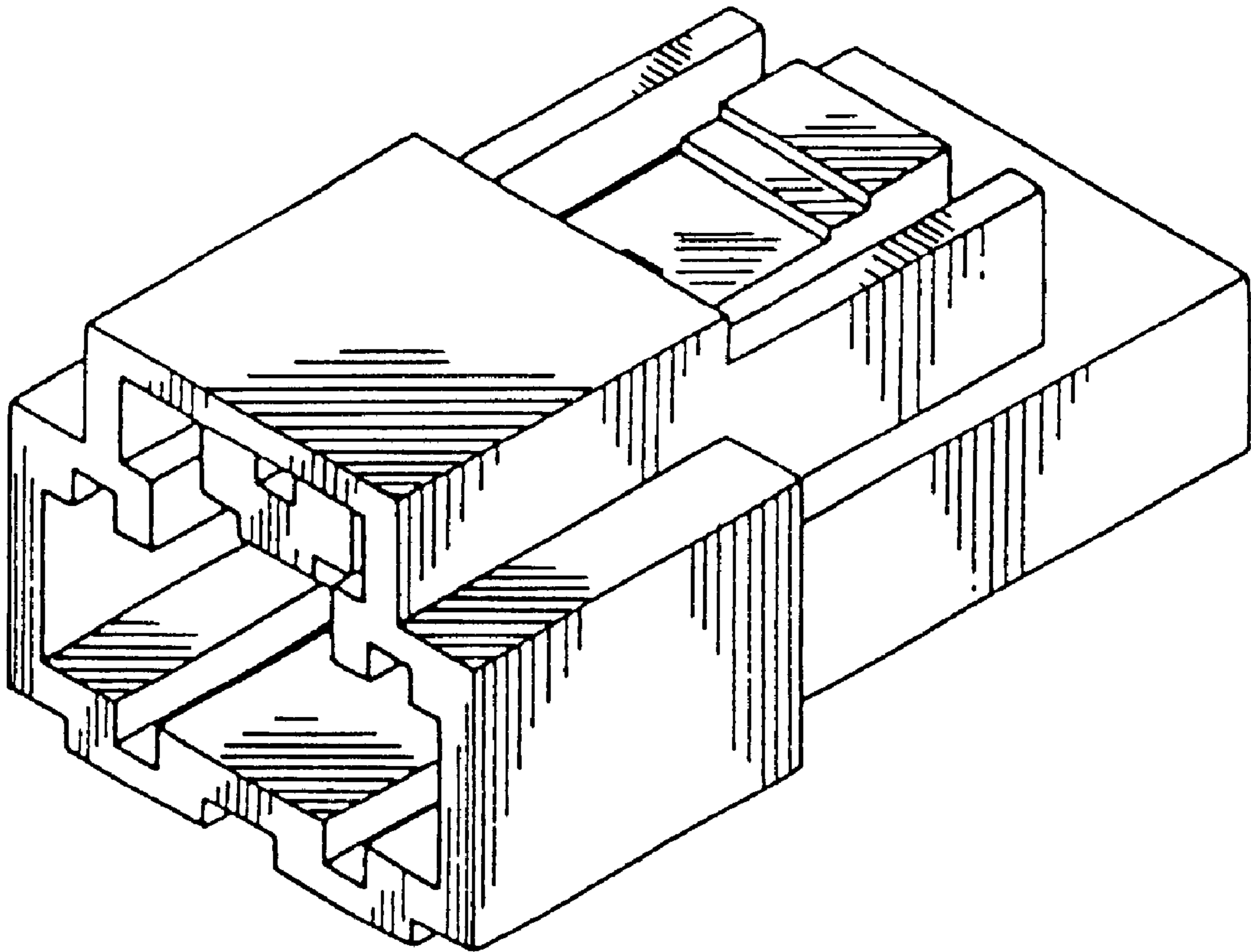


Fig. 1

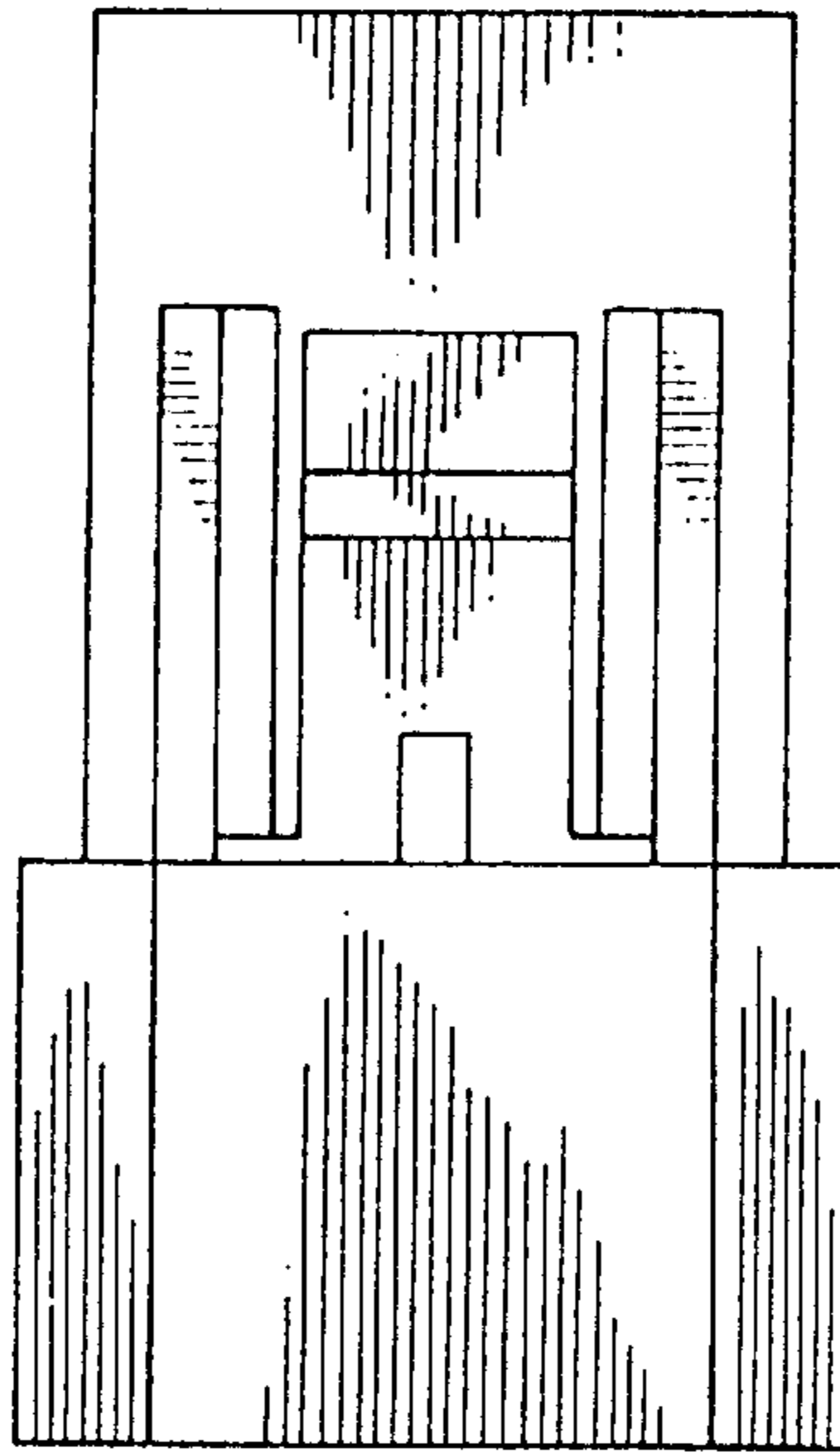


Fig. 2

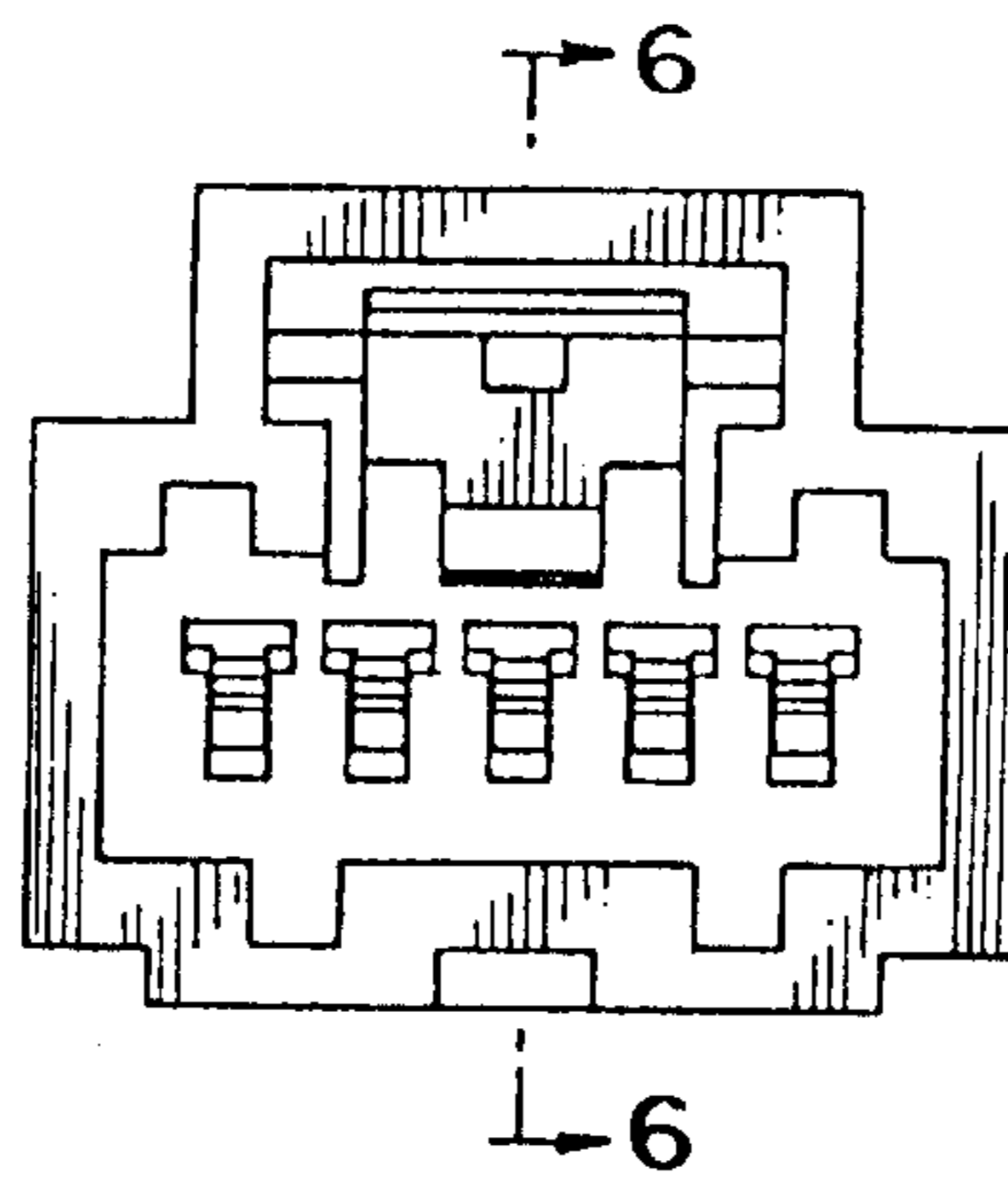


Fig. 3

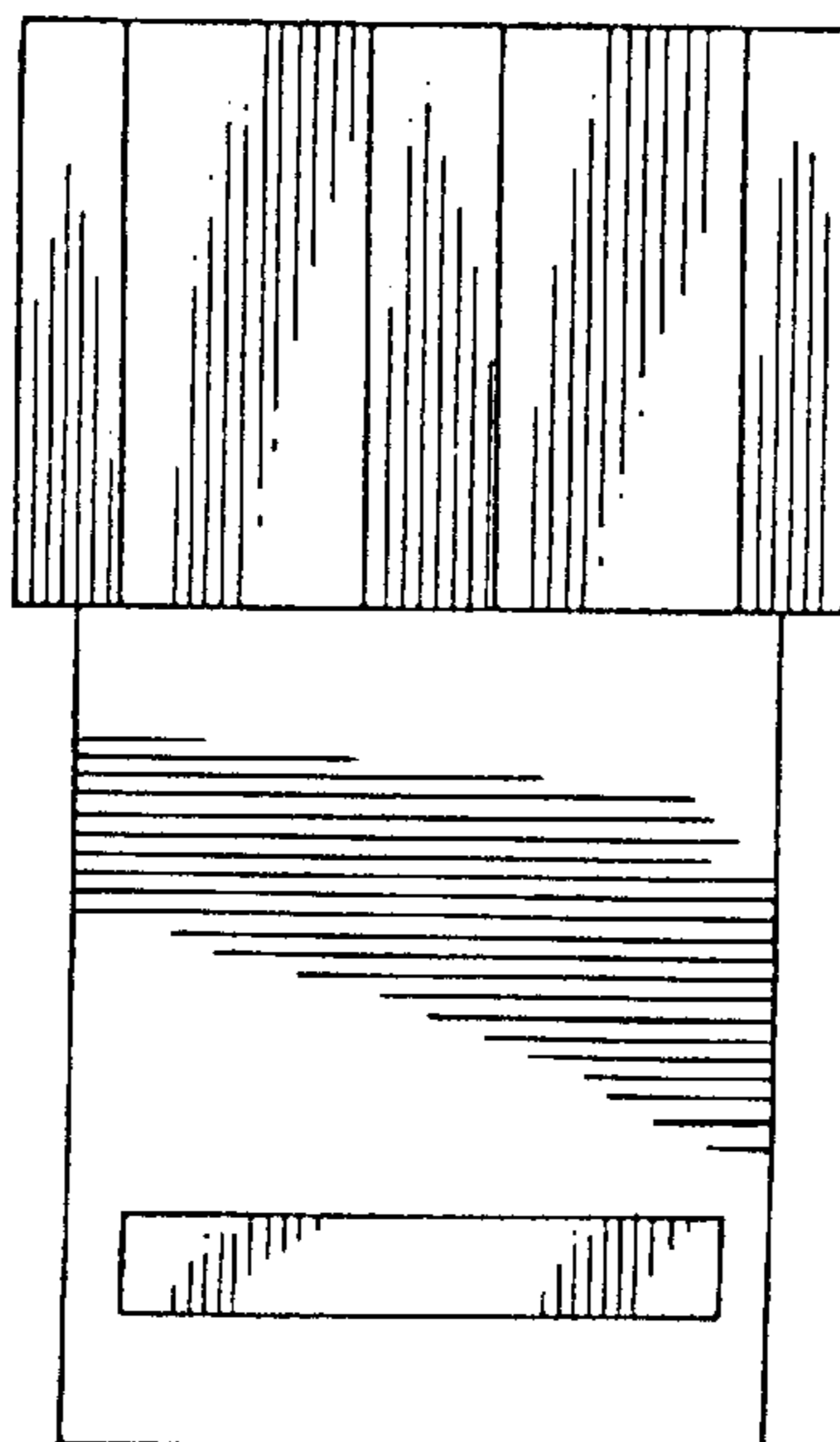


Fig. 4

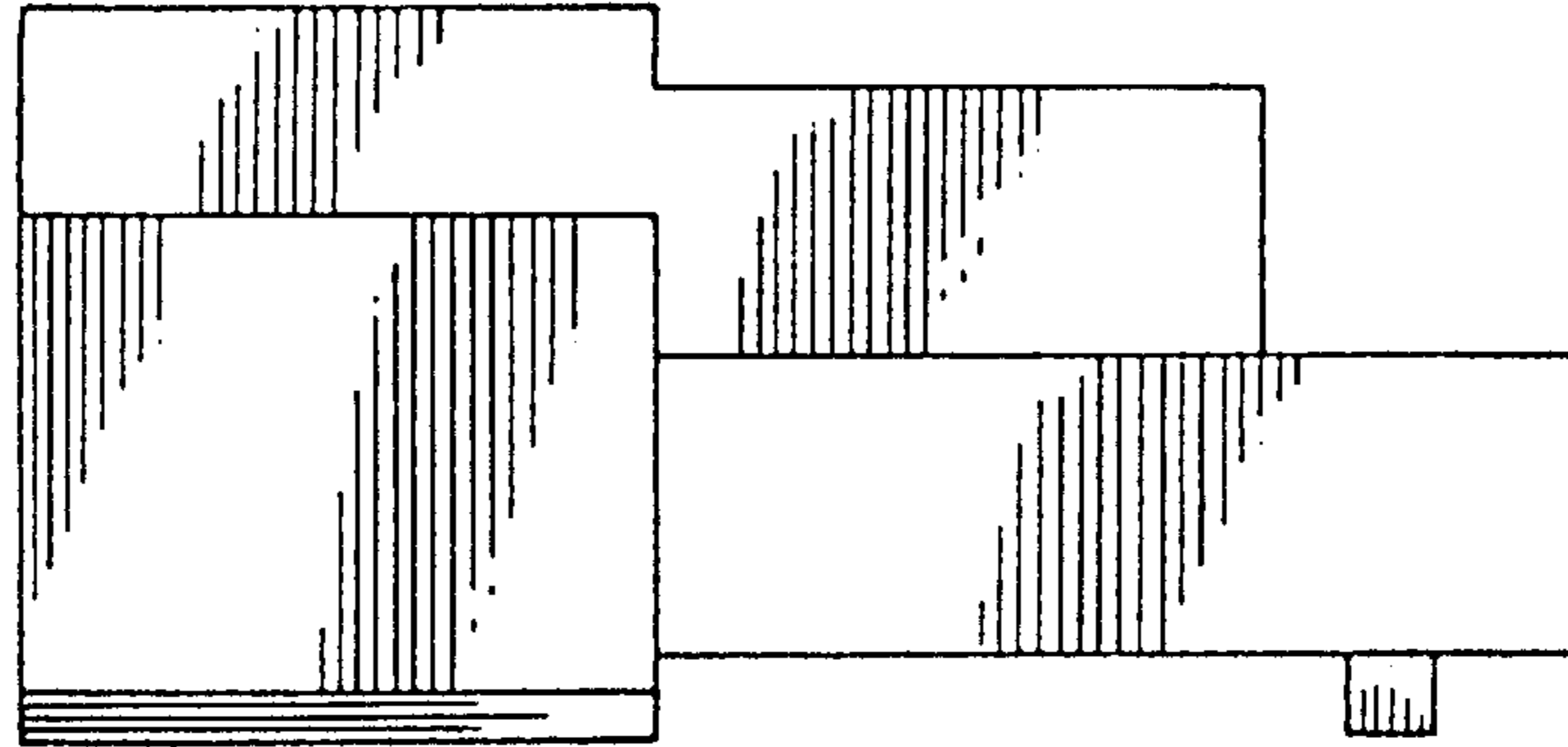


Fig. 5

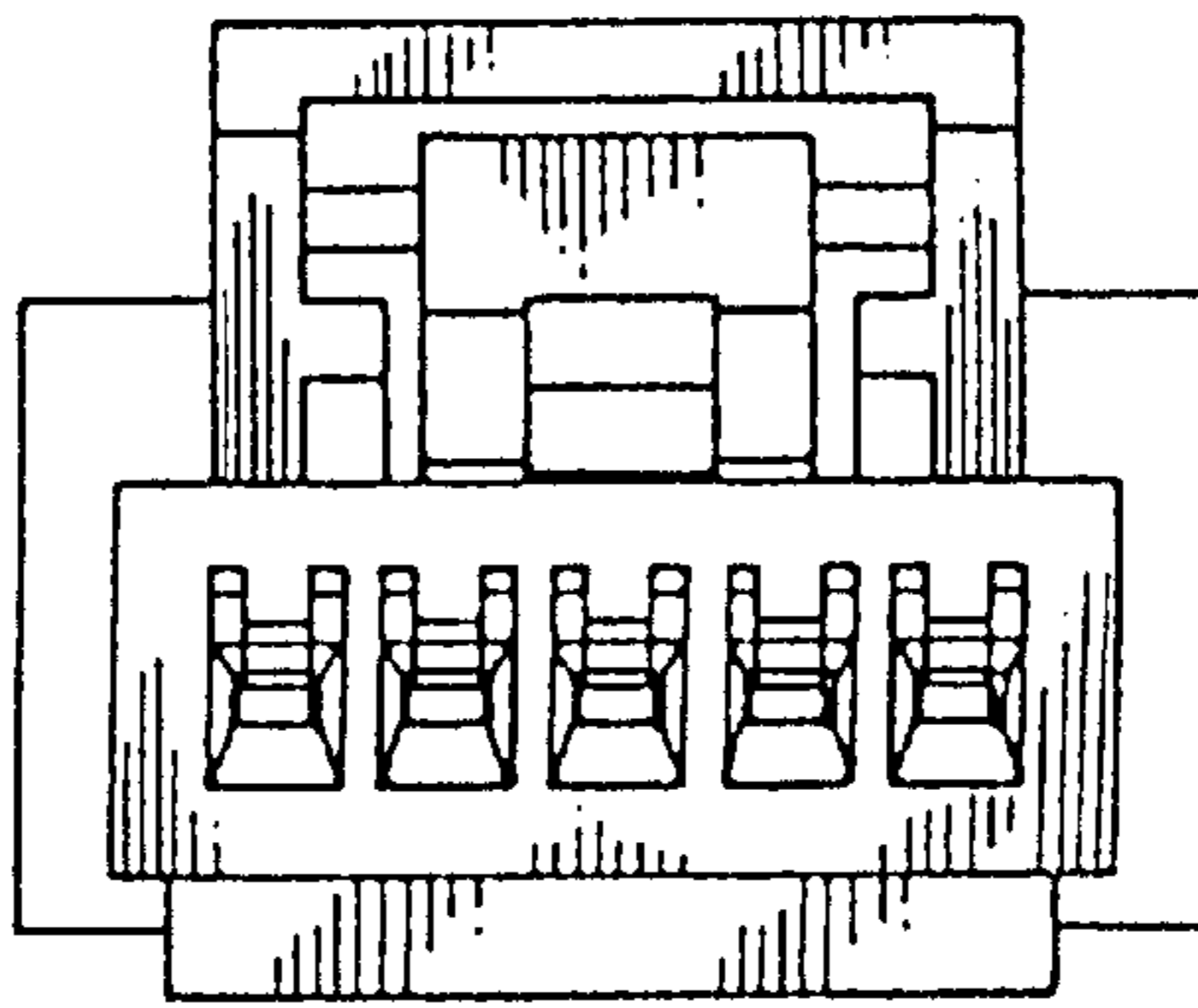


Fig. 6

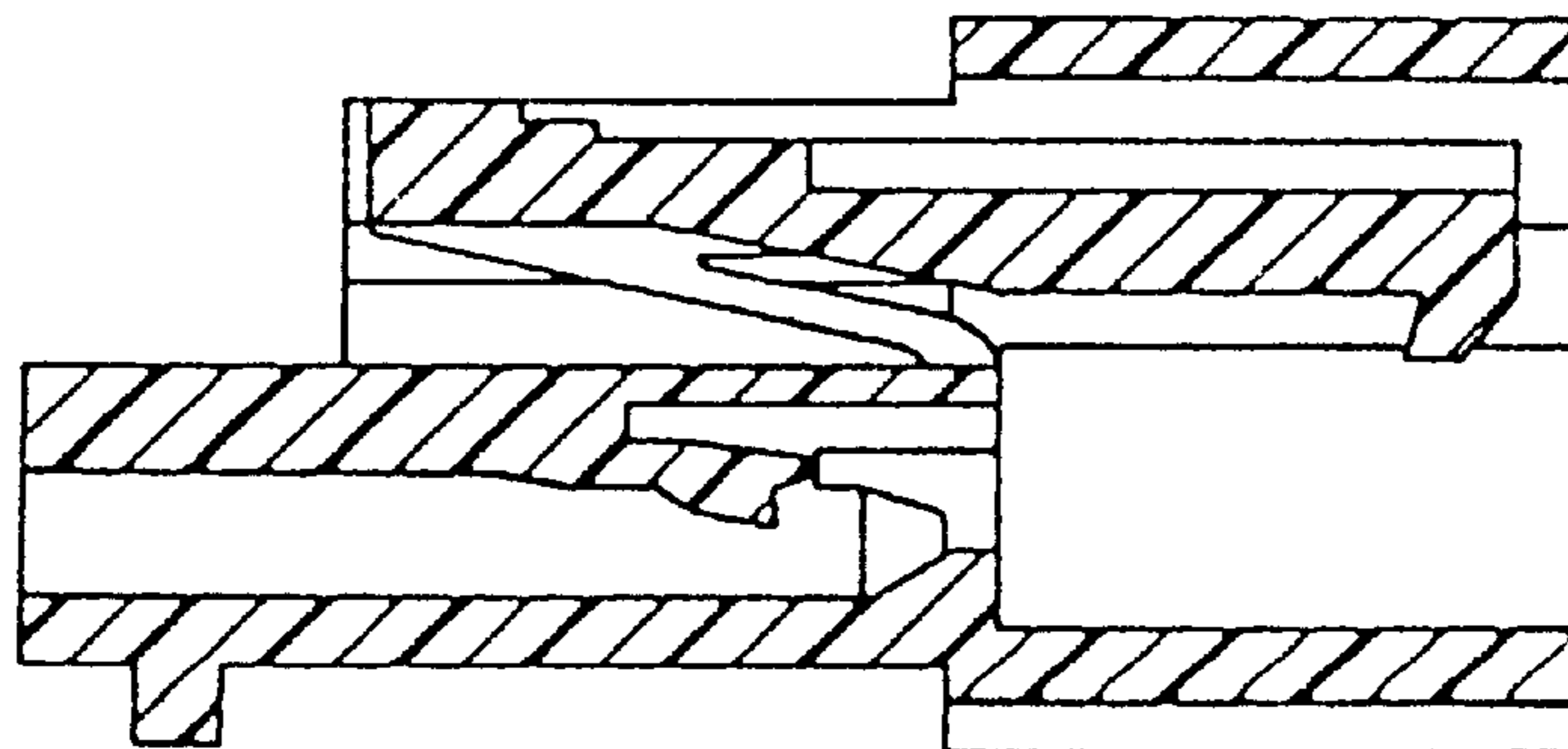


Fig. 7

