



US00D459310S

(12) **United States Design Patent**
Tanaka

(10) **Patent No.:** **US D459,310 S**

(45) **Date of Patent:** **** Jun. 25, 2002**

(54) **ELECTRICAL CONNECTOR HOUSING**

(75) Inventor: **Nobuyoshi Tanaka**, Yokkaichi (JP)

(73) Assignee: **Sumitomo Wiring Systems, Ltd.**,
Yokkaichi (JP)

(**) Term: **14 Years**

(21) Appl. No.: **29/143,290**

(22) Filed: **Jun. 12, 2001**

(30) **Foreign Application Priority Data**

Dec. 15, 2000 (JP) 2000-035916

(51) **LOC (7) Cl.** **13-03**

(52) **U.S. Cl.** **D13/147**

(58) **Field of Search** D13/147; 439/660,
439/677, 682, 681, 680, 350, 352, 353,
354, 357, 752

(56) **References Cited**

U.S. PATENT DOCUMENTS

3,501,736	A	*	3/1970	Norris	439/353
4,623,210	A	*	11/1986	Tsukakoshi	439/358
D335,649	S	*	5/1993	Ogawa	D13/147
5,273,453	A	*	12/1993	Manassero et al.	439/352
5,399,045	A	*	3/1995	Yoneda et al.	439/352 X
5,425,655	A	*	6/1995	Kaney	439/568
D367,466	S		2/1996	Uchiyama		
D407,689	S	*	4/1999	Dague et al.	D13/147
D420,646	S	*	2/2000	Liao	D13/147
D432,501	S	*	10/2000	Ohtani	D13/147
D451,074	S	*	11/2001	Morita	D13/147

* cited by examiner

Primary Examiner—Joel Sincavage

(74) *Attorney, Agent, or Firm*—Greenblum & Bernstein,
P.L.C.

(57) **CLAIM**

I claim the ornamental design for an electrical connector housing, as shown and described.

DESCRIPTION

FIG. 1 is a front elevation view of an electrical connector housing, showing my new design;

FIG. 2 is a rear elevation view of the electrical connector housing design of FIG. 1;

FIG. 3 is a top plan view of the electrical connector housing design of FIG. 1;

FIG. 4 is a bottom plan view of the electrical connector housing design of FIG. 1;

FIG. 5 is a right side view of the electrical connector housing design of FIG. 1;

FIG. 6 is a top plan view of the electrical connector housing as in FIG. 3, but used for showing the section lines for the cross-sectional view shown in FIG. 7;

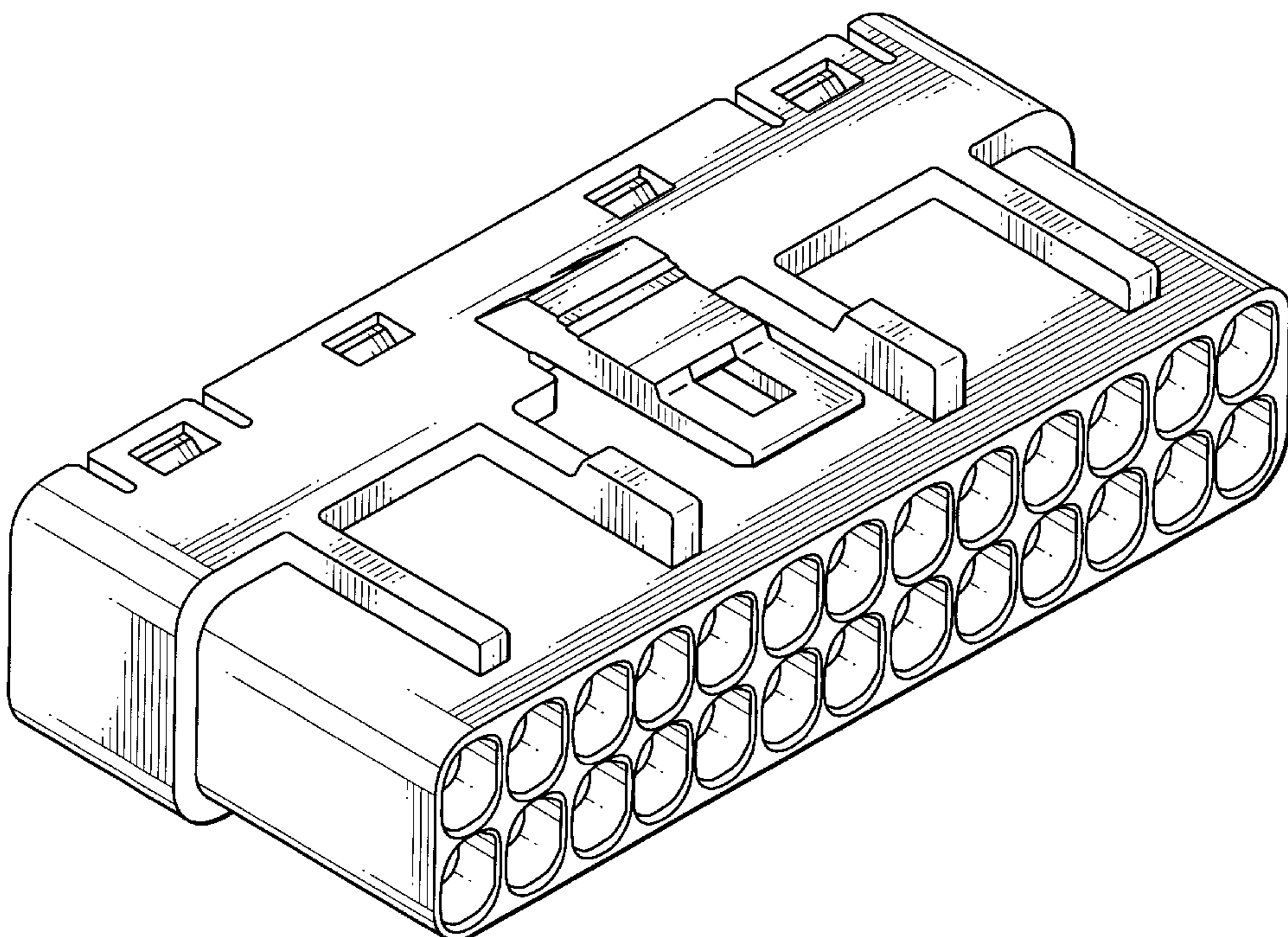
FIG. 7 is a cross-sectional view, taken along the lines VII–VII of FIG. 6, of the electrical connector housing design of FIG. 1;

FIG. 8 is a front perspective view of the electrical connector housing of the present design; and,

FIG. 9 is a rear perspective view of the electrical connector housing of the present design.

The left side view is omitted as being a mirror image of the right side view.

1 Claim, 8 Drawing Sheets



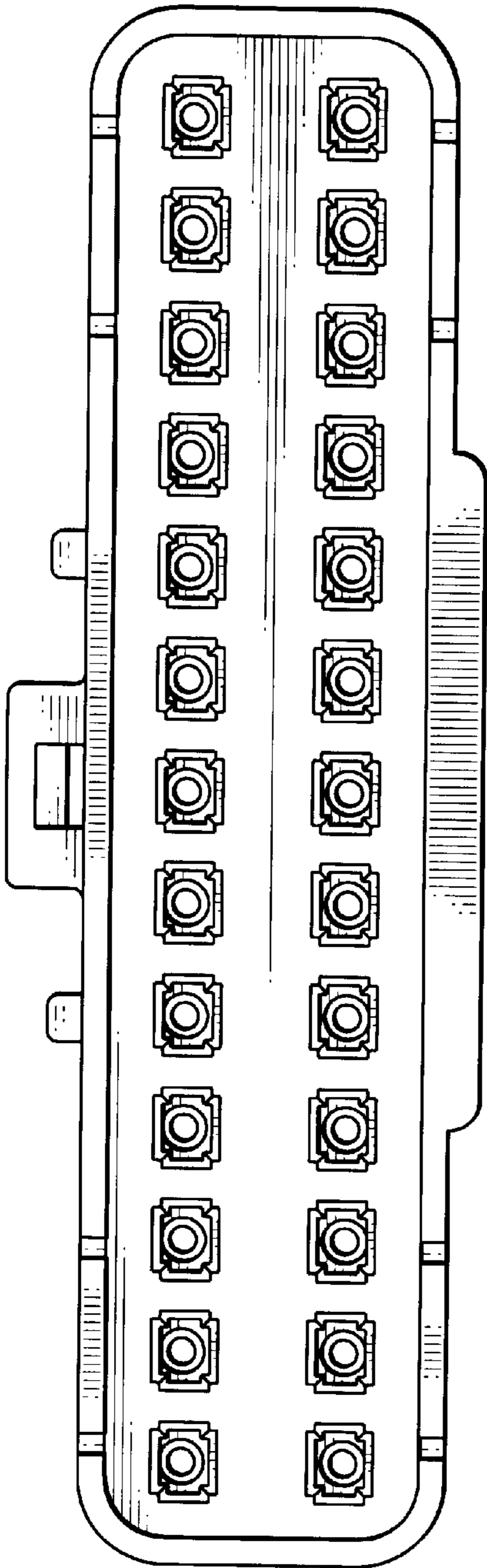


FIG. 1

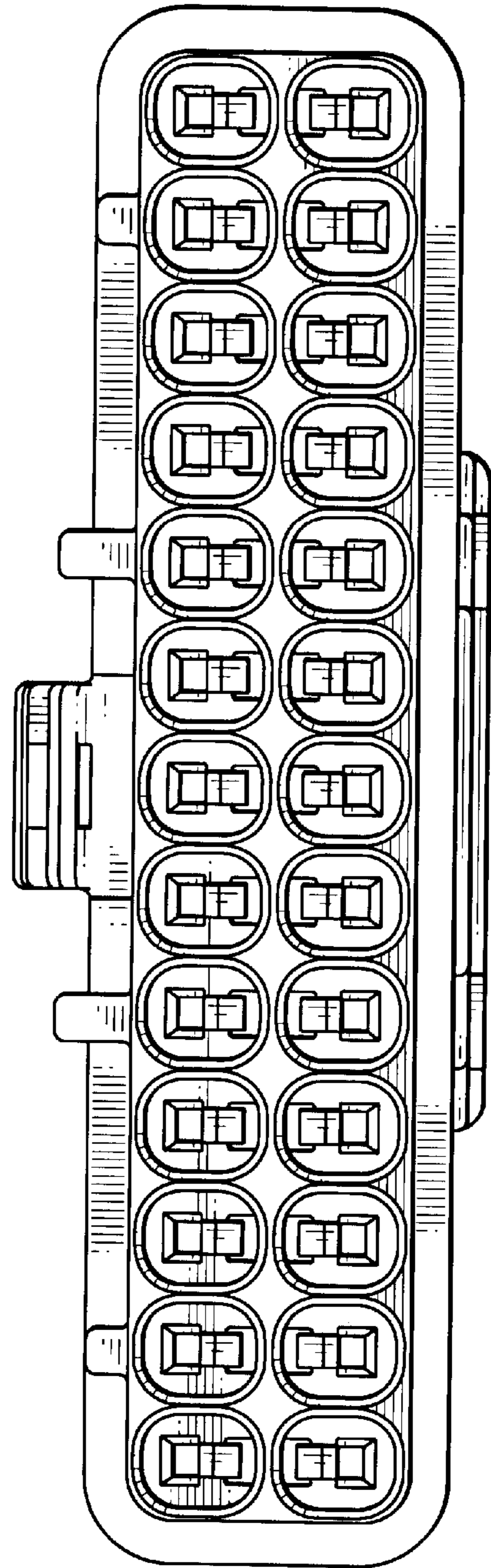


FIG. 2

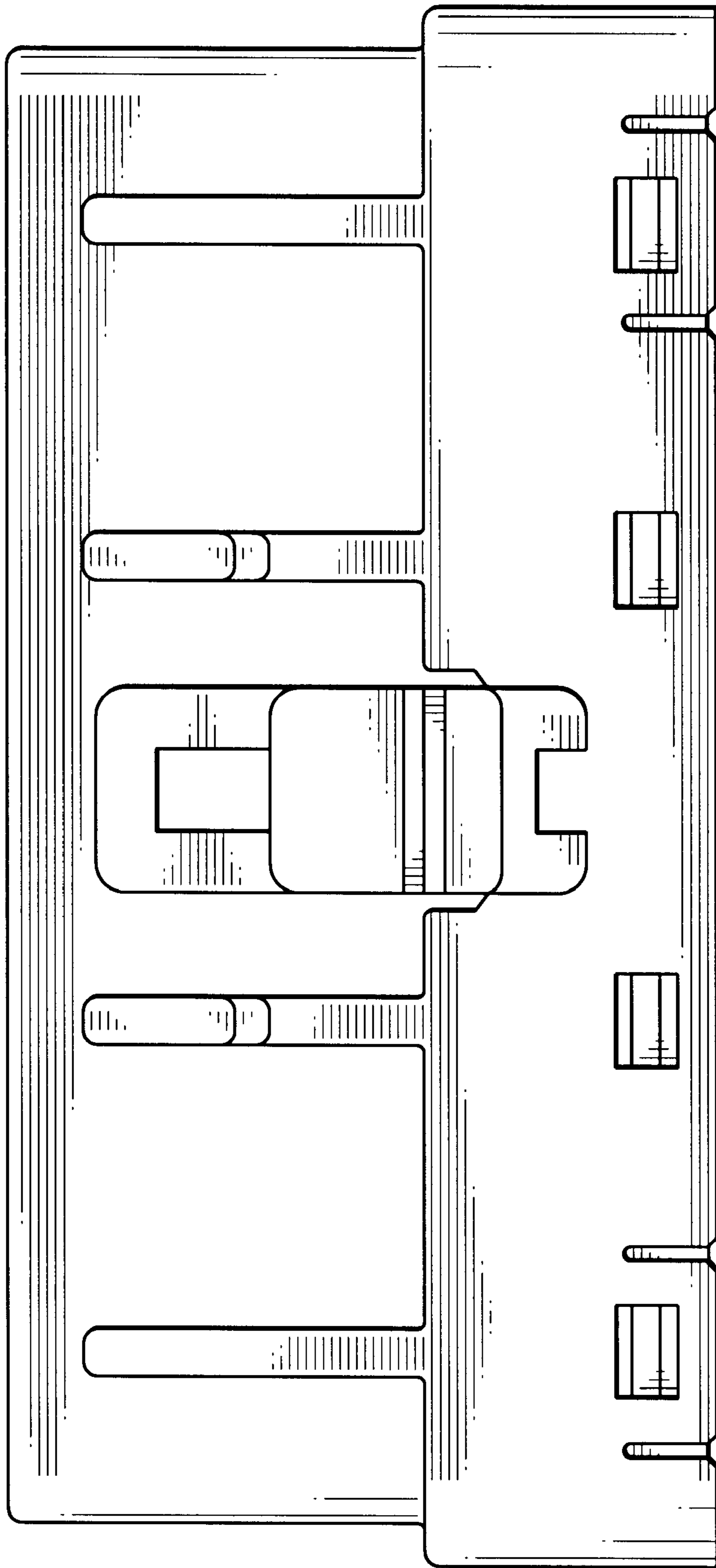


FIG.3

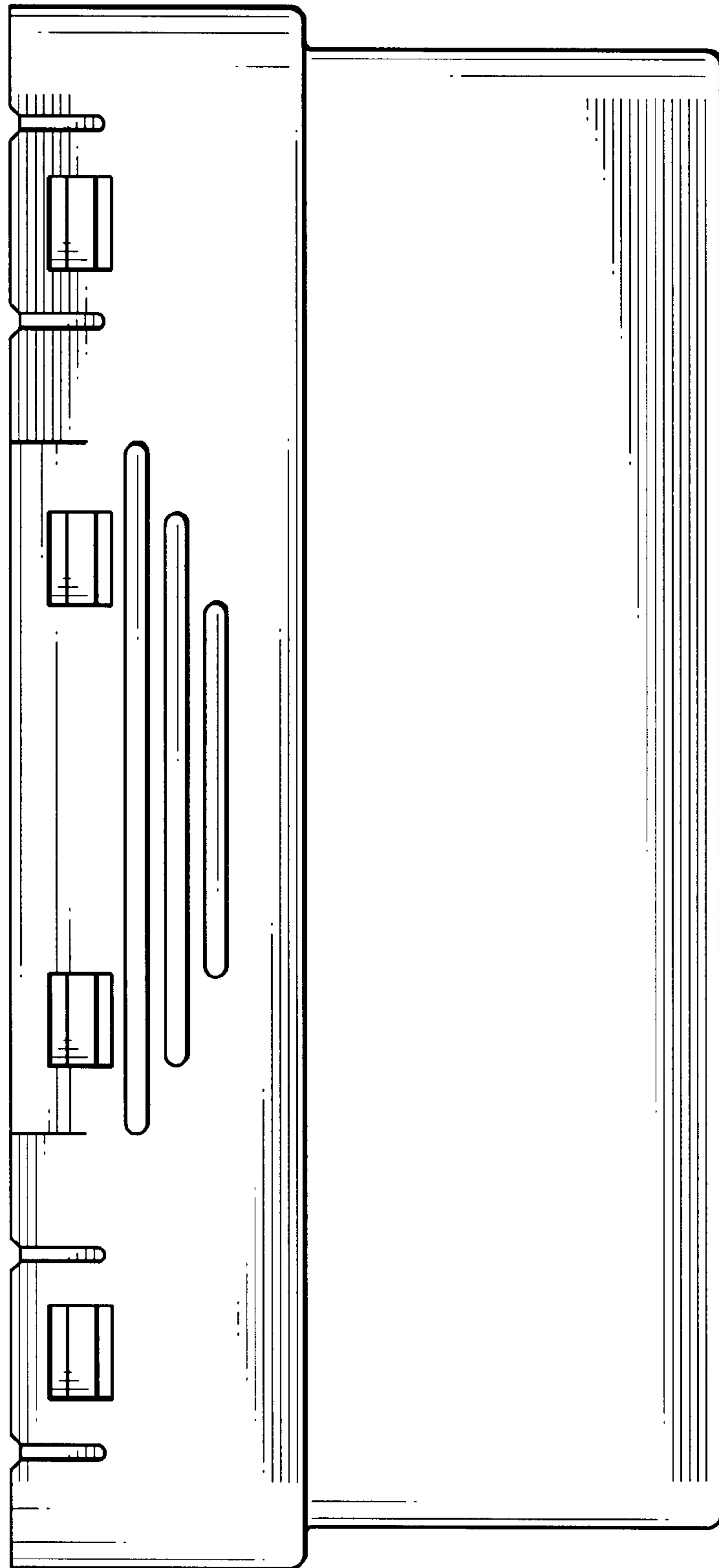


FIG.4

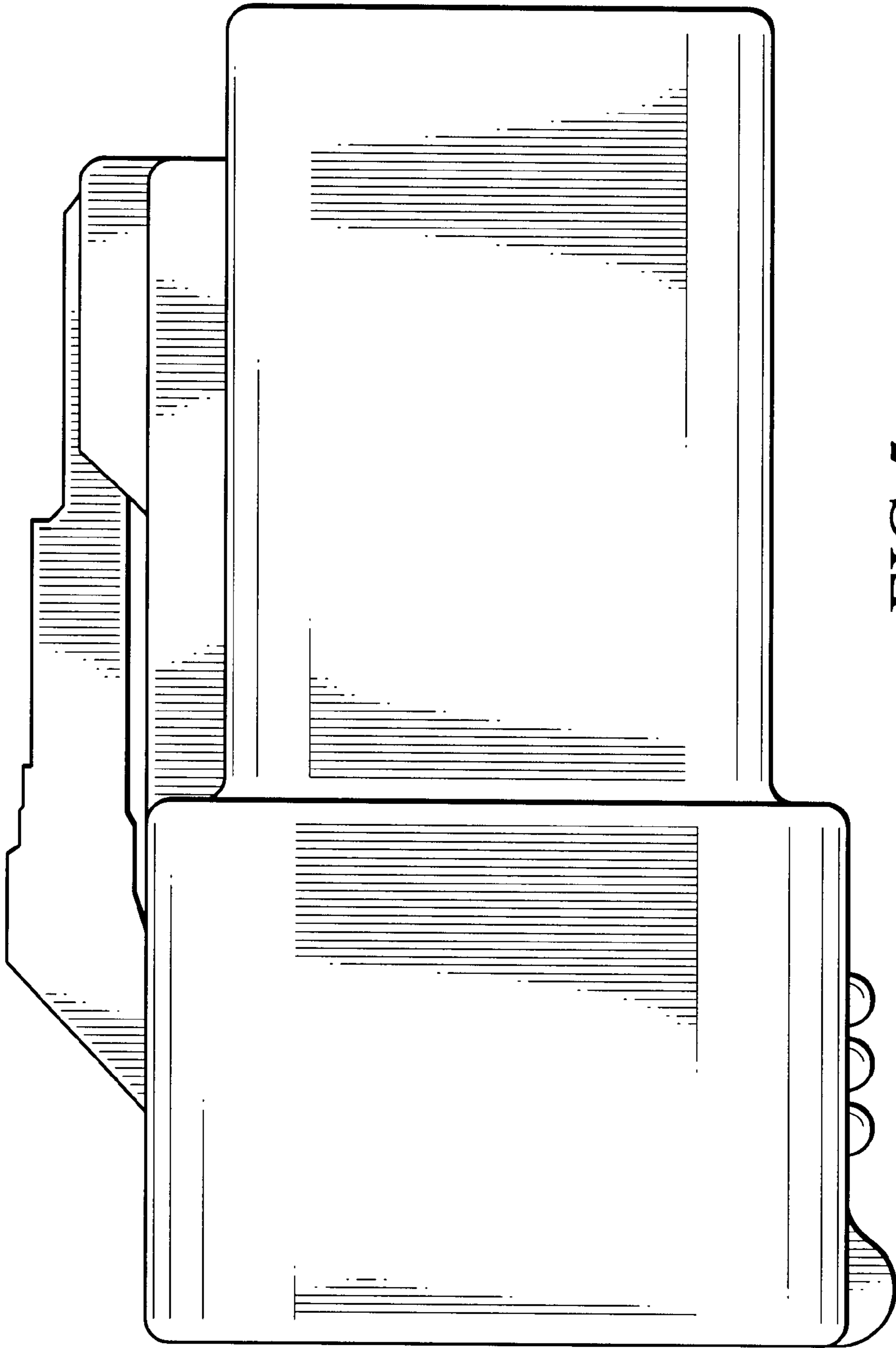
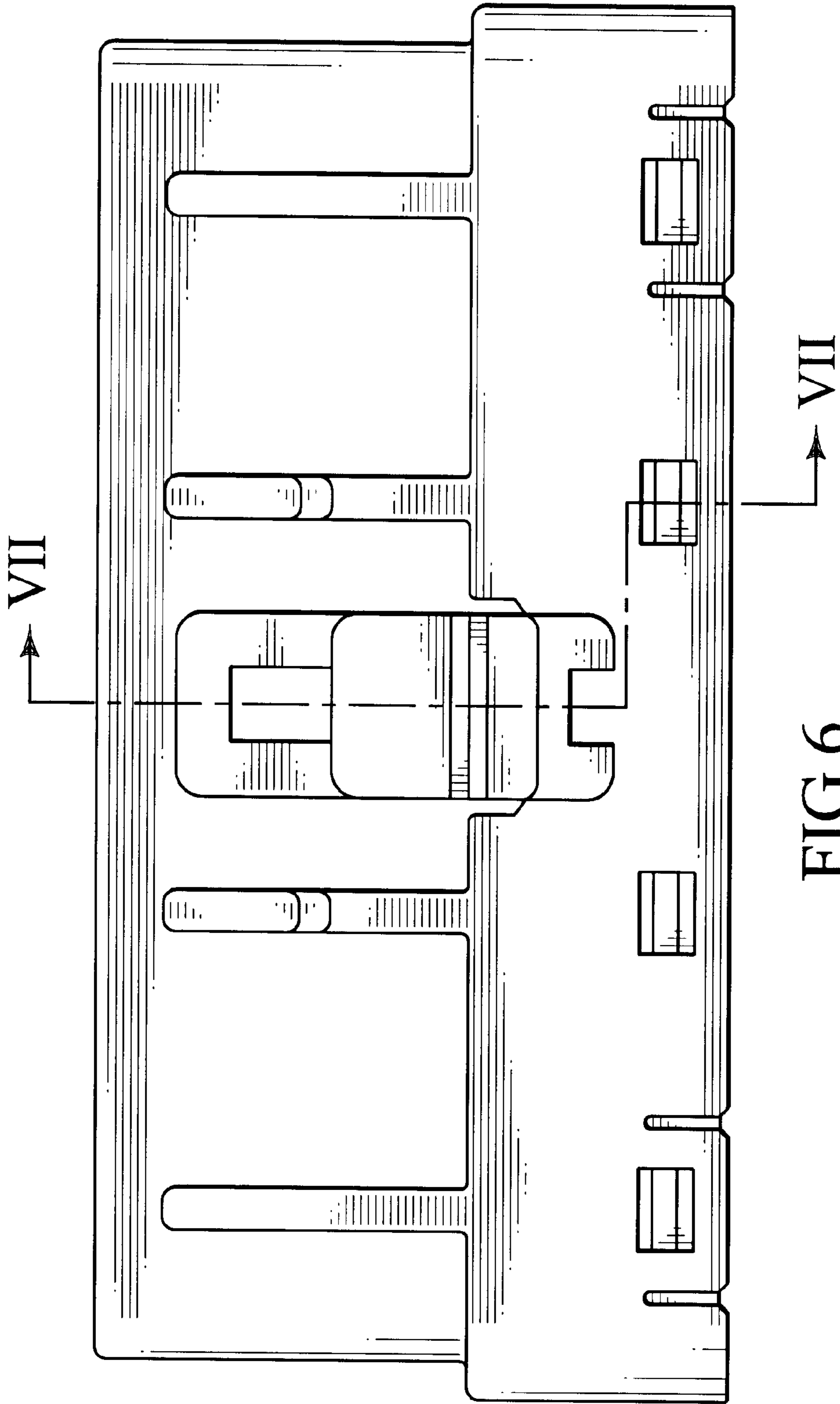


FIG. 5



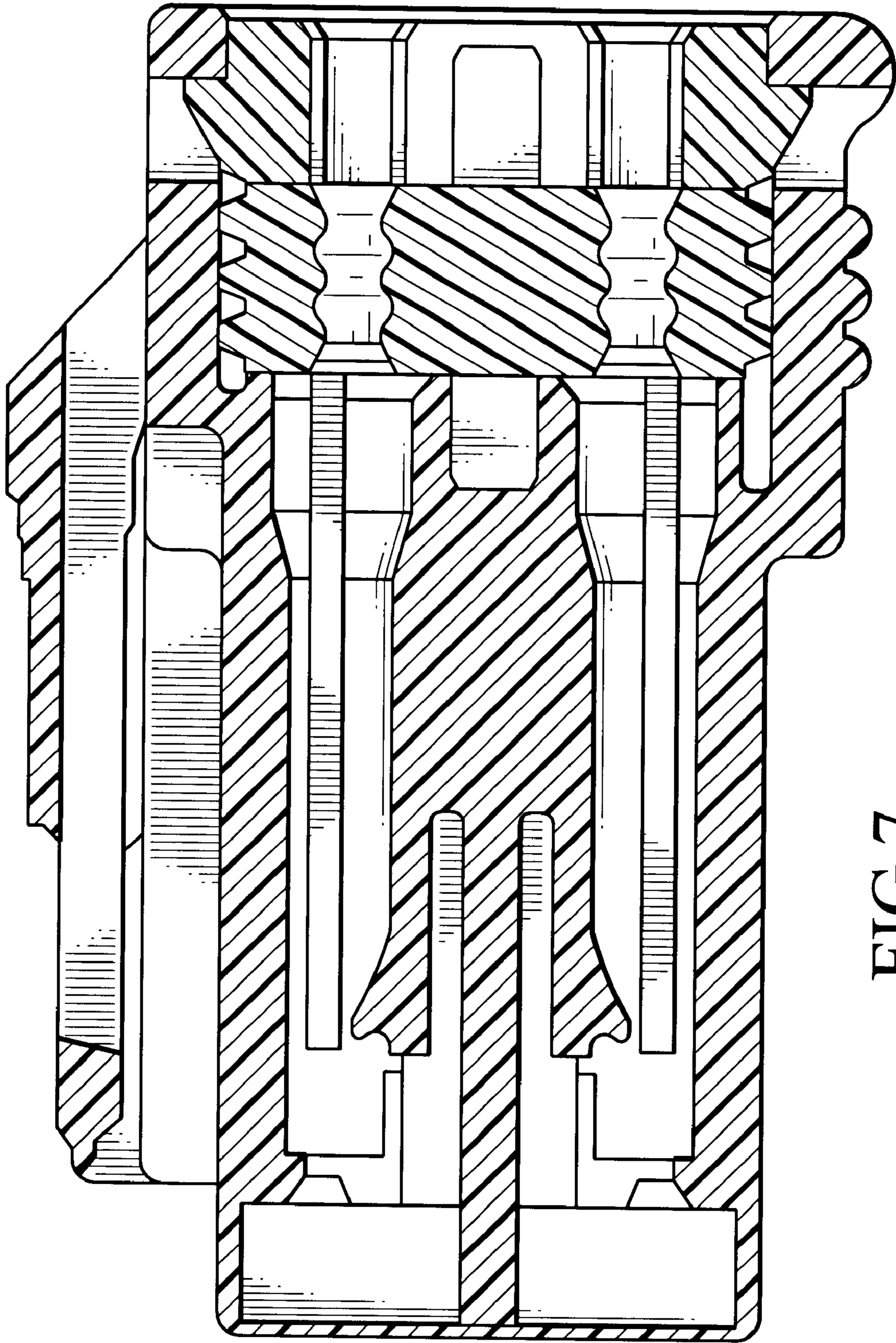


FIG. 7

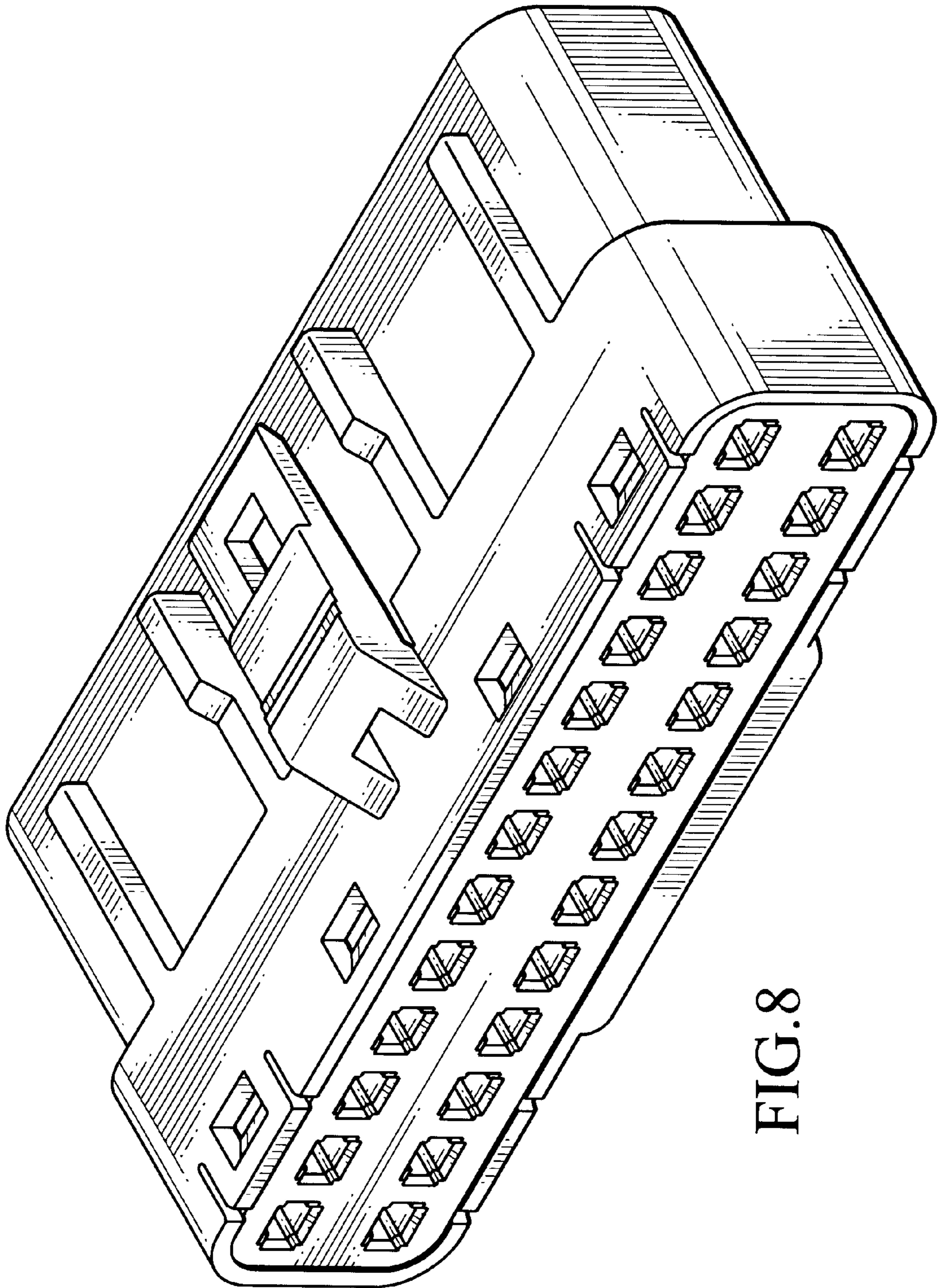


FIG. 8

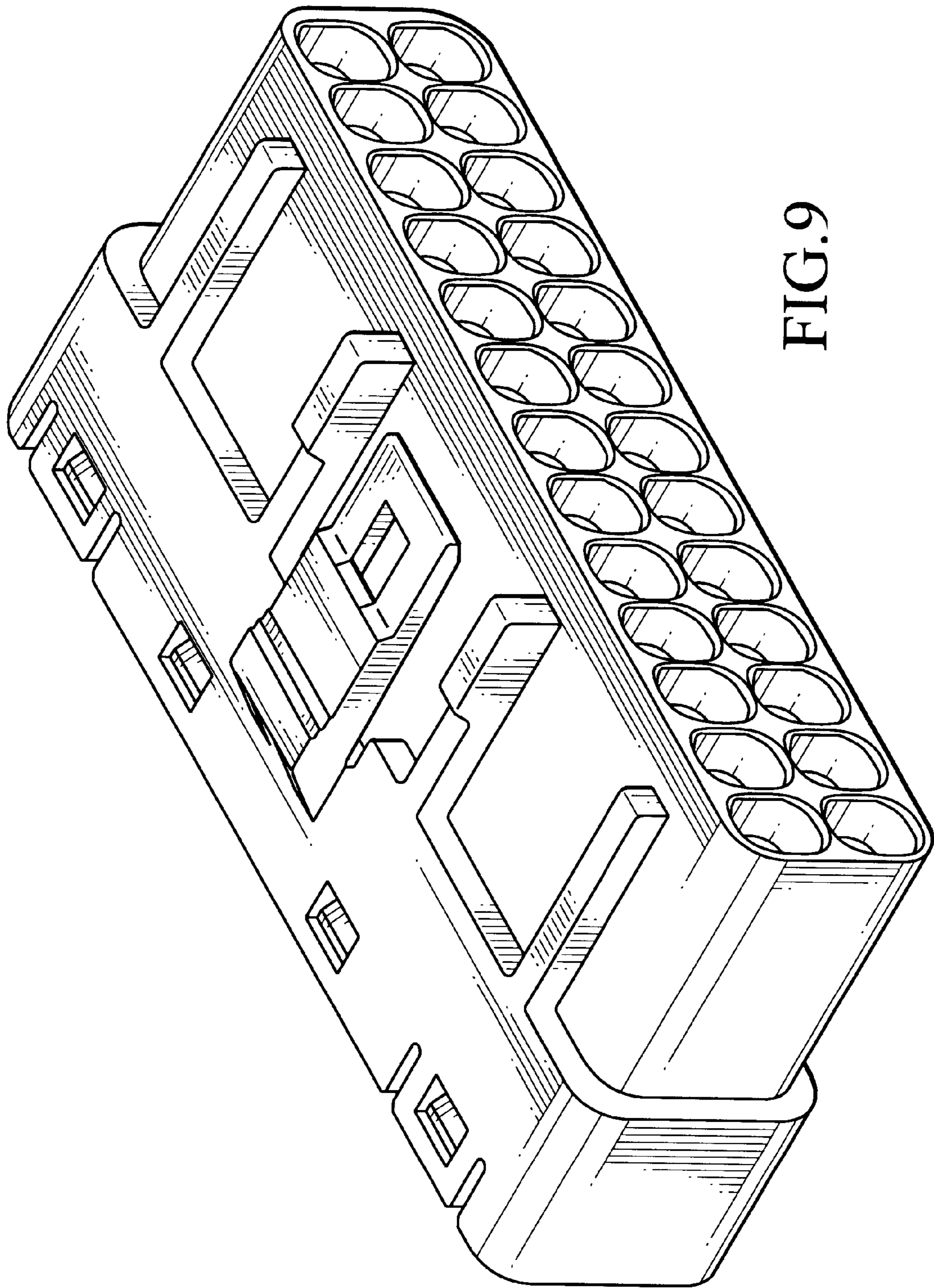


FIG. 9