



US00D459308S

(12) **United States Design Patent**  
**Lee**

(10) **Patent No.:** **US D459,308 S**

(45) **Date of Patent:** **\*\* Jun. 25, 2002**

(54) **COMPUTER CORD CONNECTOR**

(75) Inventor: **Wei-Hsien Lee, Pan Chiao (TW)**

(73) Assignee: **Aten International Co., Ltd. (TW)**

(\* ) Notice: This patent is subject to a terminal disclaimer.

(\*\* ) Term: **14 Years**

(21) Appl. No.: **29/124,174**

(22) Filed: **Jun. 1, 2000**

(51) **LOC (7) Cl.** ..... **13-03**

(52) **U.S. Cl.** ..... **D13/147**

(58) **Field of Search** ..... D13/146, 147;  
439/607-610, 623, 656, 362

(56) **References Cited**

**U.S. PATENT DOCUMENTS**

D297,530 S \* 9/1988 Cooper ..... D13/147

D298,121 S \* 10/1988 Furuhashi ..... D13/146  
D396,689 S \* 8/1998 Karten et al. .... D13/147

\* cited by examiner

*Primary Examiner*—Joel Sincavage

(74) *Attorney, Agent, or Firm*—Baker Botts LLP

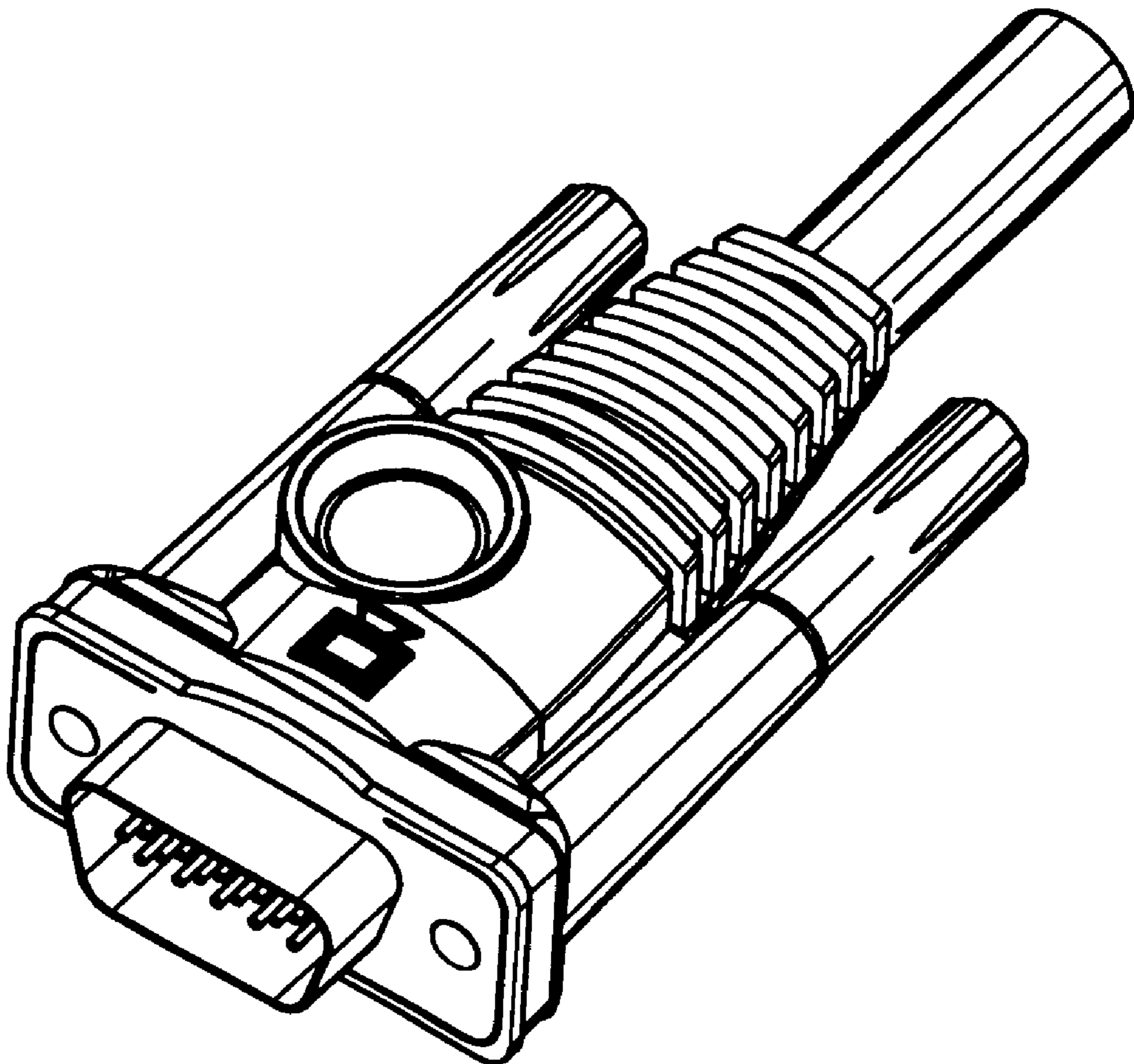
(57) **CLAIM**

The ornamental design for computer cord connector, as shown and described.

**DESCRIPTION**

FIG. 1 is a front elevational view of computer cord connector showing my new design;  
FIG. 2 is a rear elevational view thereof;  
FIG. 3 is a left elevational view thereof;  
FIG. 4 is a right elevational view thereof;  
FIG. 5 is a top plan view thereof;  
FIG. 6 is a bottom plan view thereof; and,  
FIG. 7 is a perspective view thereof.

**1 Claim, 4 Drawing Sheets**



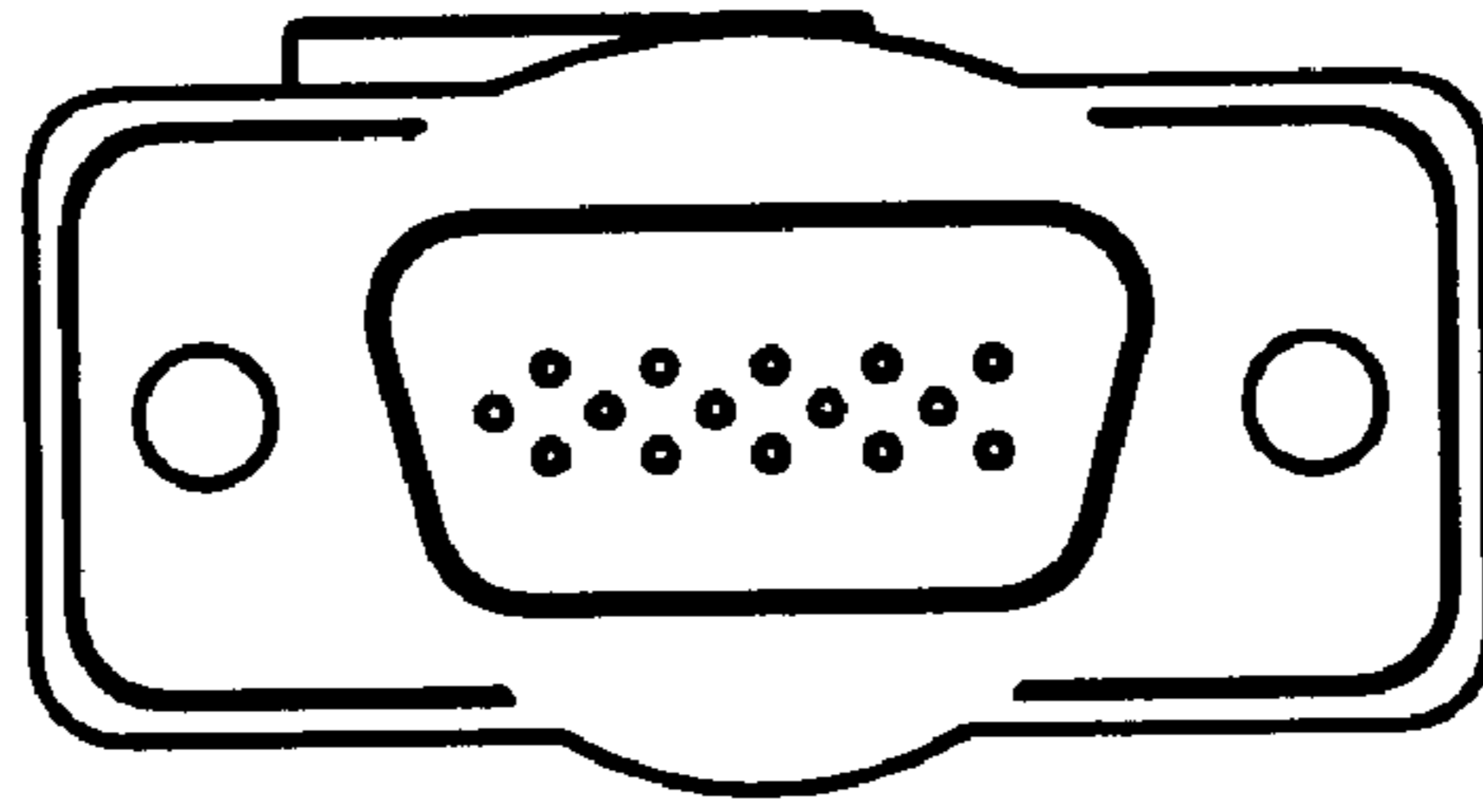


Fig. 1

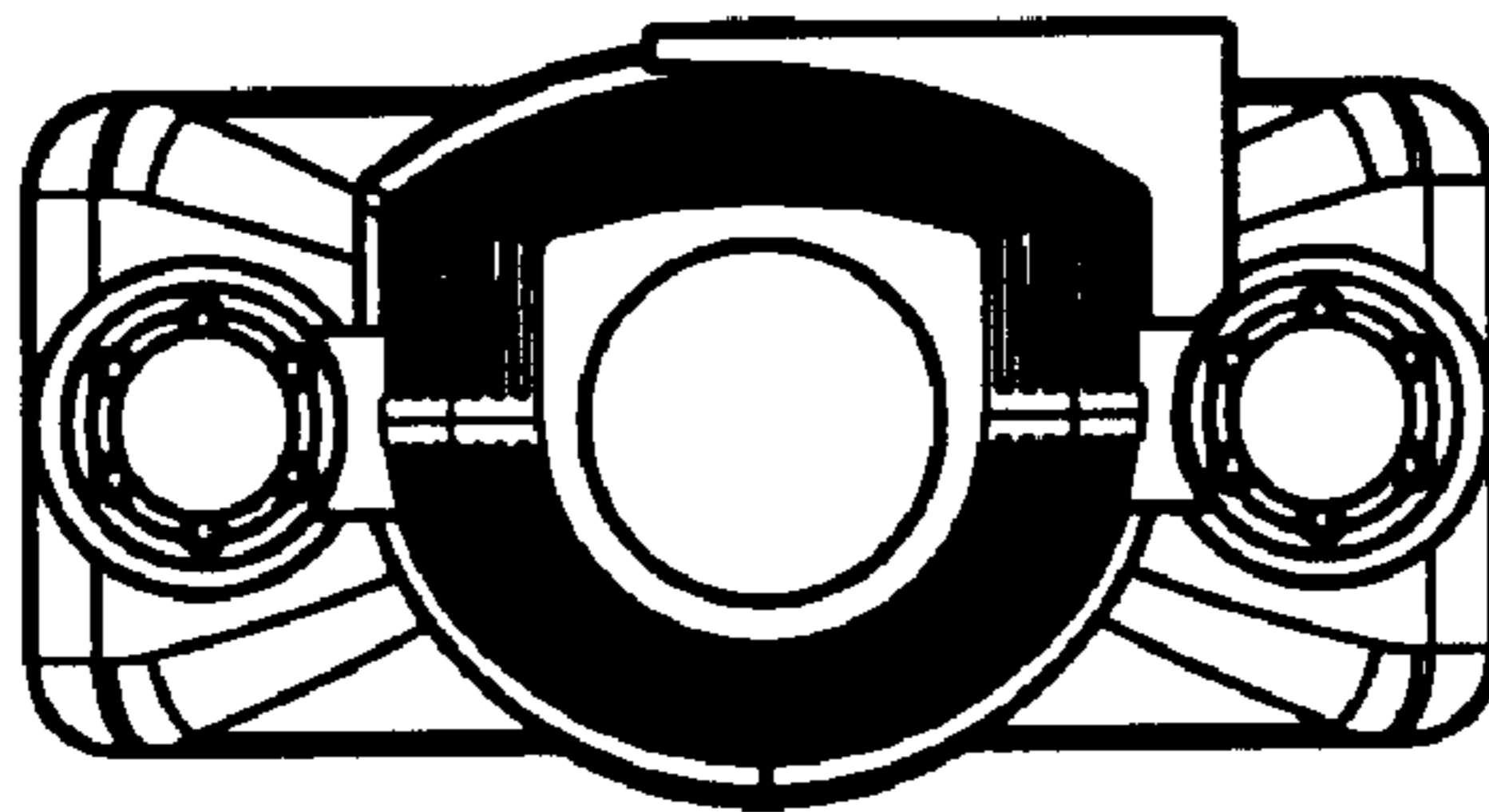


Fig. 2

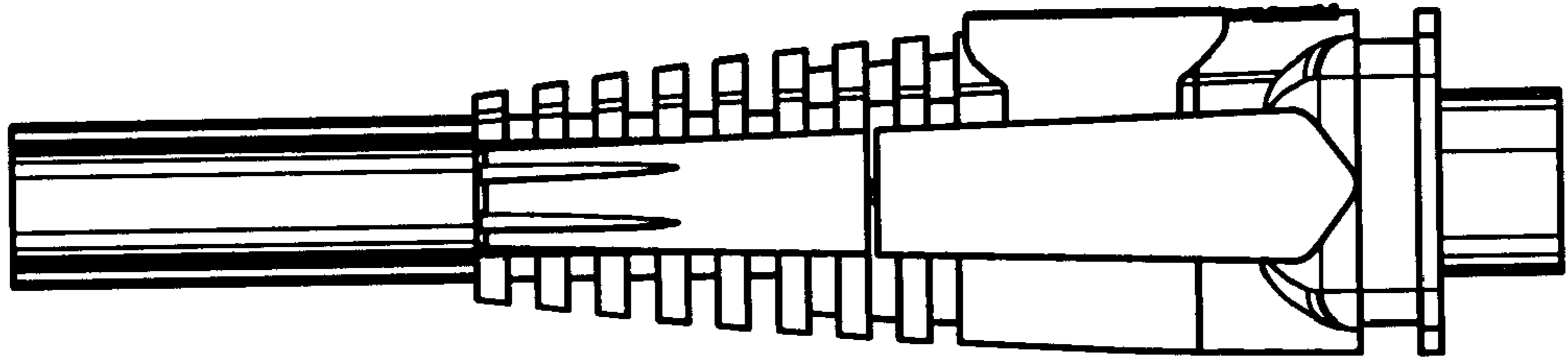


Fig. 3

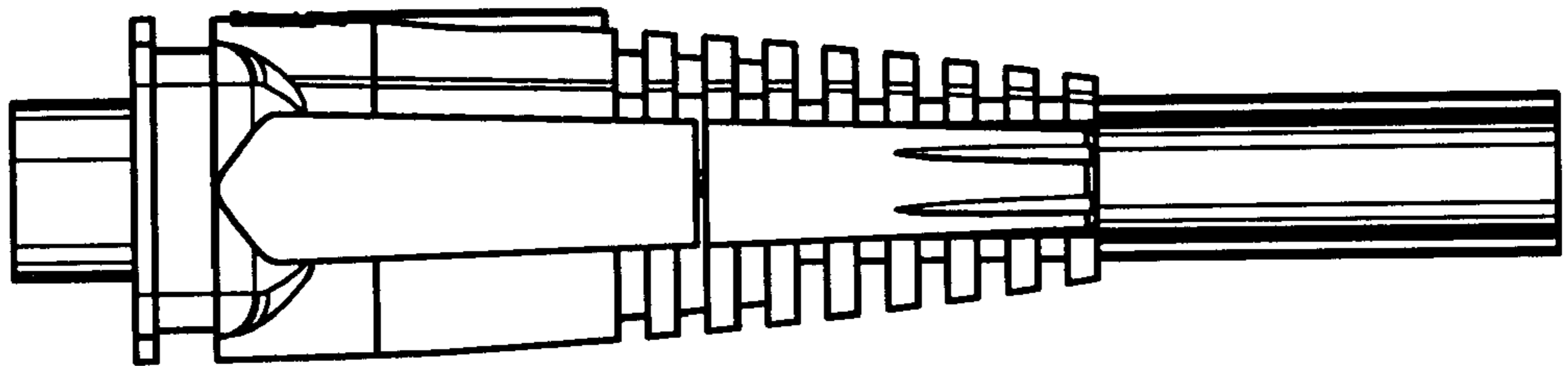


Fig. 4

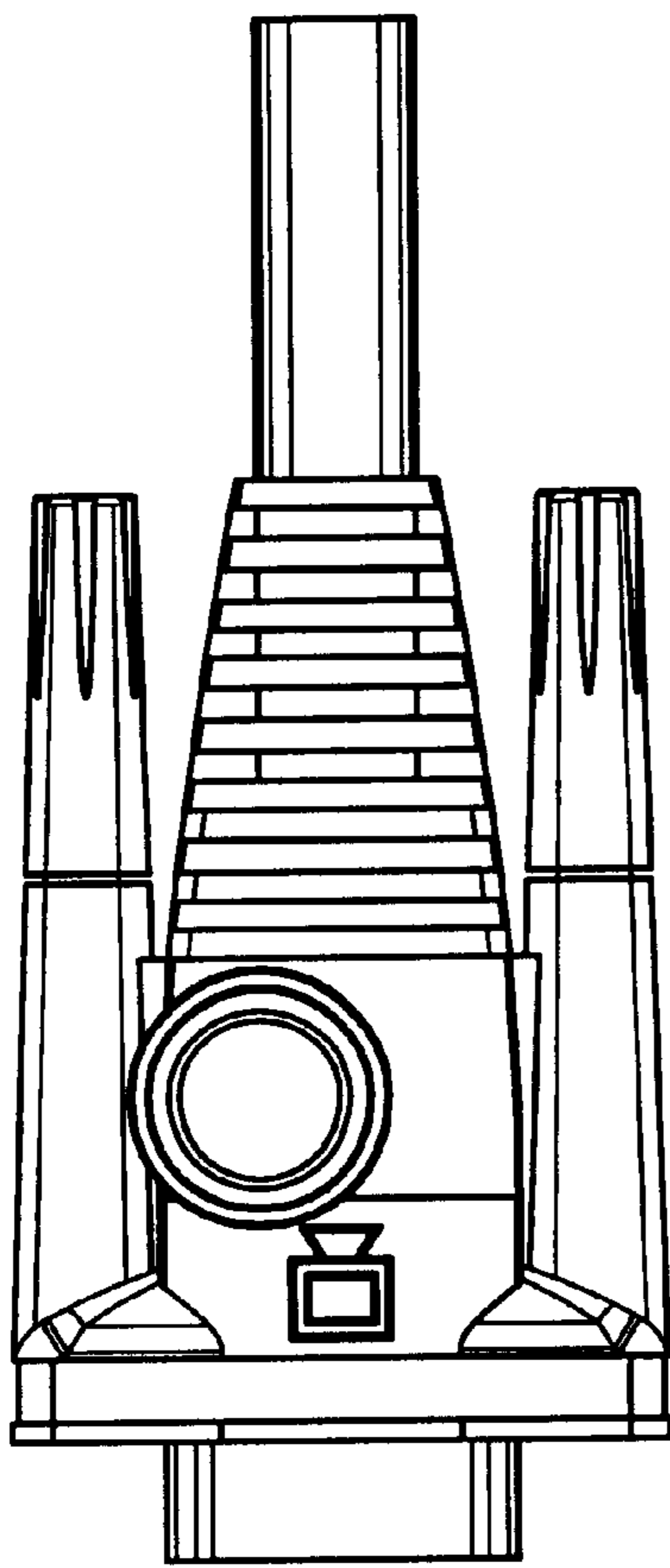


Fig. 5

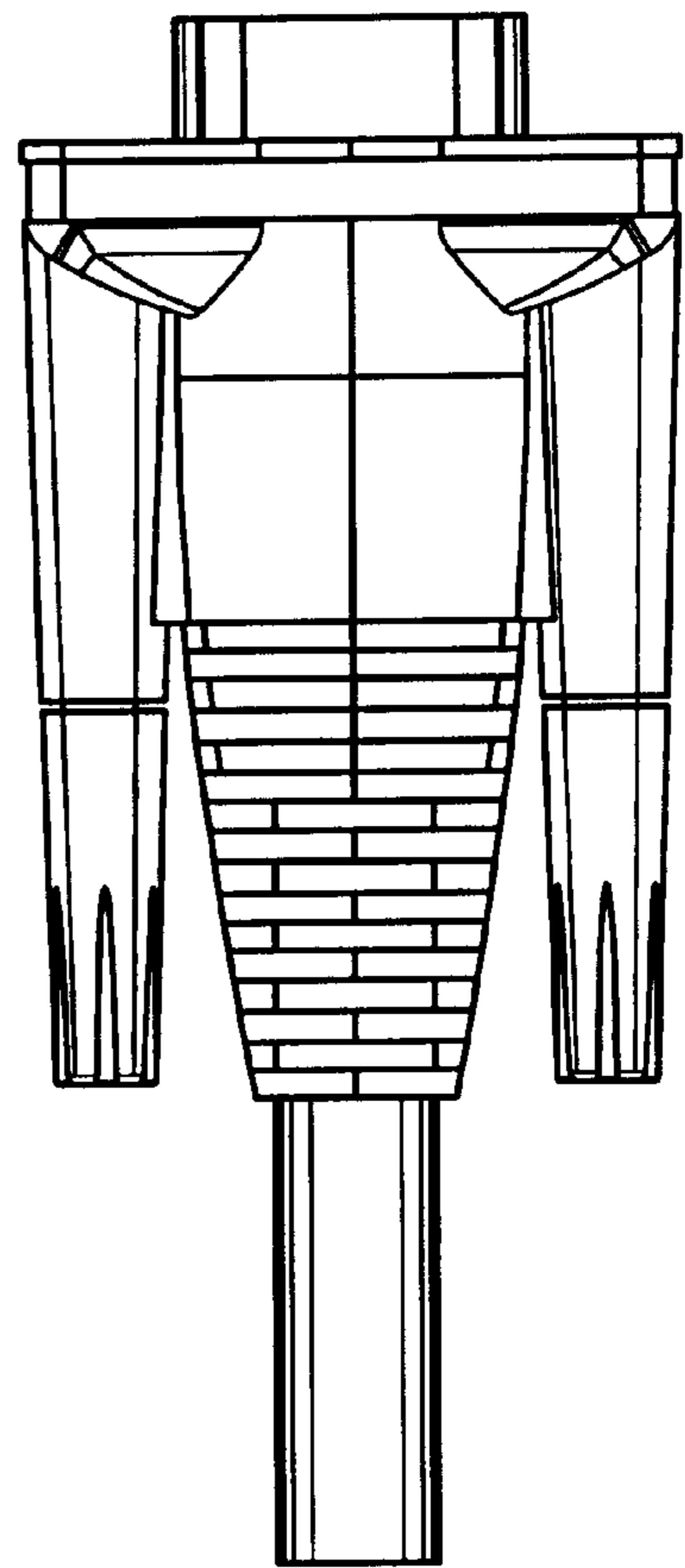


Fig. 6

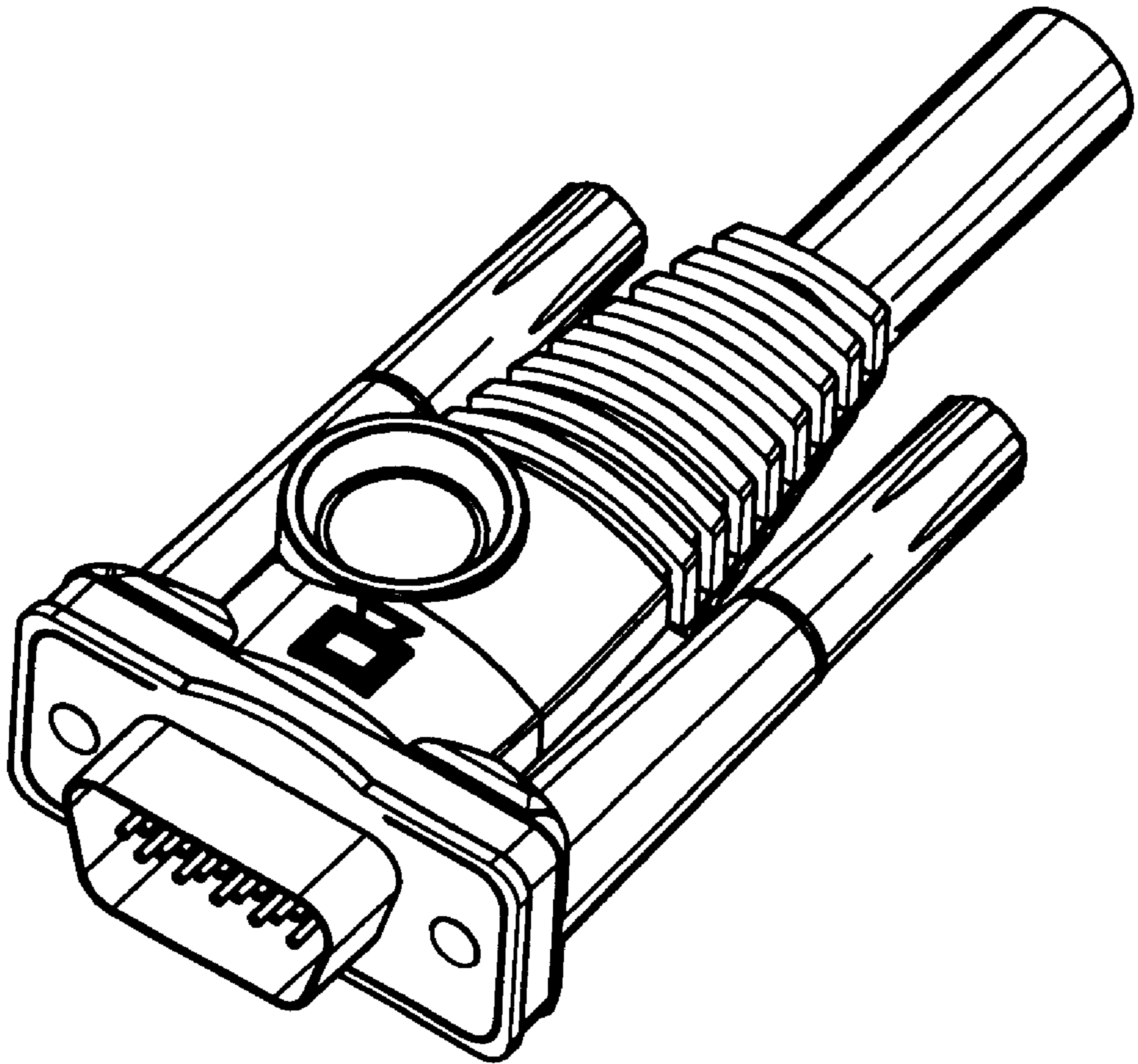


Fig. 7