



US00D459307S

(12) **United States Design Patent**
Nieto

(10) **Patent No.:** **US D459,307 S**

(45) **Date of Patent:** **** Jun. 25, 2002**

(54) **COMBINED OUTLET FOR ACCEPTING MULTIPLE ENLARGED PLUGS AND SURGE PROTECTOR**

(76) **Inventor:** **German Nieto**, 1306 E. Hawthorne Cir., Hollywood, FL (US) 33021

(**) **Term:** **14 Years**

(21) **Appl. No.:** **29/137,639**

(22) **Filed:** **Feb. 27, 2001**

(51) **LOC (7) Cl.** **13-03**

(52) **U.S. Cl.** **D13/139.8**

(58) **Field of Search** D13/137.1-137.4,
D13/139.1, 139.6, 139.7, 139.8; 439/650-654,
954, 107

(56) **References Cited**

U.S. PATENT DOCUMENTS

3,997,225 A	12/1976	Horwinski	339/14 R
D305,641 S	6/1990	DeLuca	D13/30
D318,262 S	7/1991	Neuwirth	D13/137
D350,916 S	9/1994	Rossmann et al.	D13/139.8
D354,731 S	1/1995	Lee	D13/139.8
D361,315 S	8/1995	Wedell et al.	D13/160
D367,642 S	3/1996	Boesel et al.	D13/139.8
D369,784 S	5/1996	Pogue et al.	D13/160
D379,965 S	6/1997	Parshad	D13/139.6
5,700,150 A *	12/1997	Morin	439/652 X
D409,980 S *	5/1999	Bryne	D13/137.1
6,113,434 A	9/2000	Pate	439/652
D432,499 S *	10/2000	Stekelenburg	D13/139.6

* cited by examiner

Primary Examiner—Jennifer Rivard

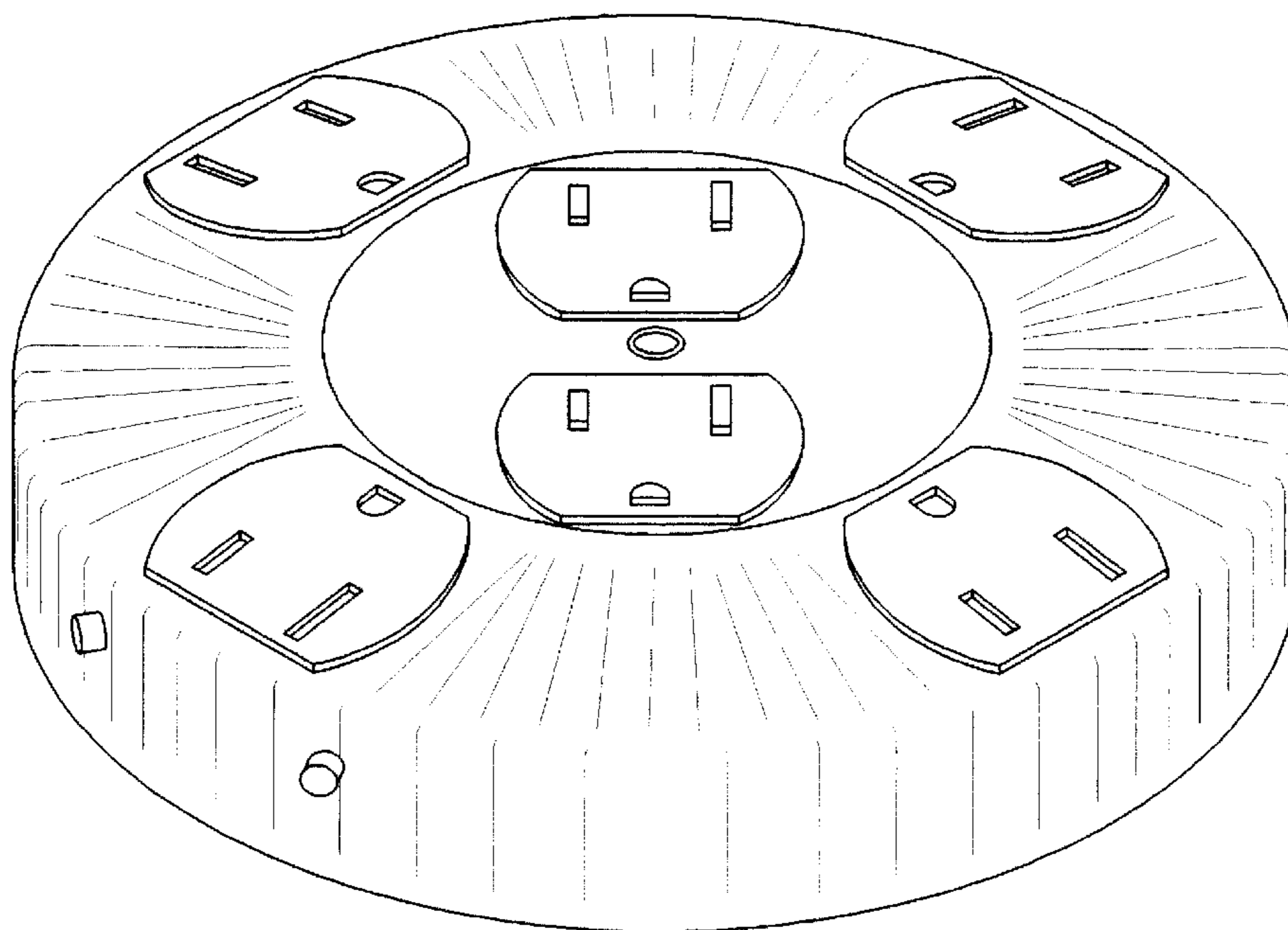
(57) **CLAIM**

The ornamental design for a combined outlet for accepting multiple enlarged plugs and surge protector, as shown and described.

DESCRIPTION

FIG. 1 is a front elevational view of a combined outlet for accepting multiple enlarged plugs and surge protector showing my new design;
 FIG. 2 is a top plan view;
 FIG. 3 is a right hand side elevational view thereof, the opposite side being the mirror image of that shown;
 FIG. 4 is a rear elevational view thereof;
 FIG. 5 is a perspective view thereof;
 FIG. 6 is a front elevational view of second embodiment of a combined outlet for accepting multiple enlarged plugs and surge protector embodying my new design;
 FIG. 7 is a top plan view thereof;
 FIG. 8 is a right hand side elevational view thereof, the opposite side being the mirror image of that shown;
 FIG. 9 is a rear elevational view thereof;
 FIG. 10 is a perspective view of a combined outlet for accepting multiple enlarged plugs and surge protector.
 FIG. 11 is a front elevational view of a third embodiment of a combined outlet for accepting multiple enlarged plugs and surge protector embodying my new design.
 FIG. 12 is a bottom plan view;
 FIG. 13 is a right hand side elevational view thereof;
 FIG. 14 is a rear elevational view thereof; and,
 FIG. 15 is a perspective view thereof.
 The broken line showing of the electrical cord is included for the purpose of illustrating environmental structure only and forms no part of the claimed design.

1 Claim, 15 Drawing Sheets



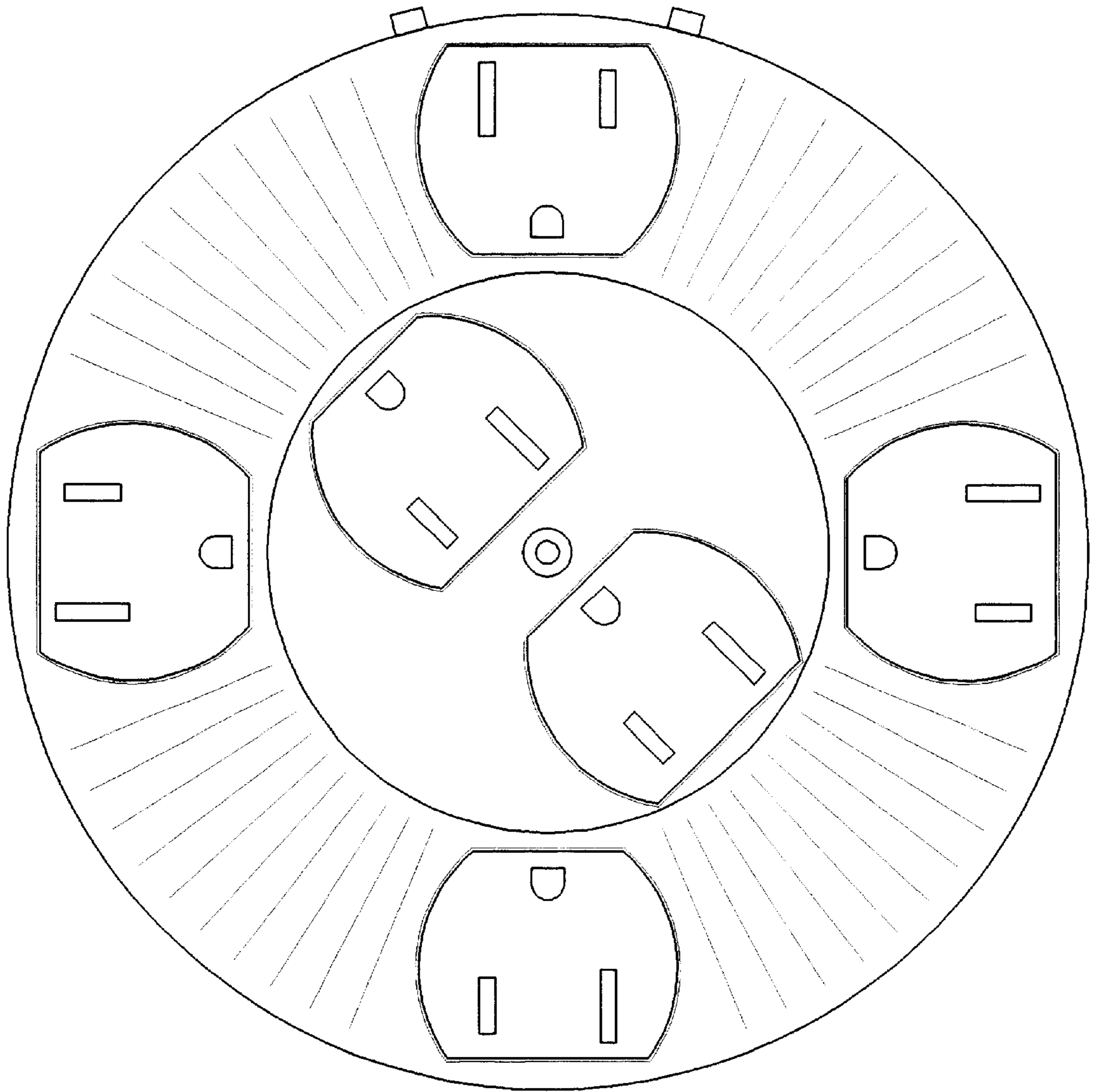


FIG 1

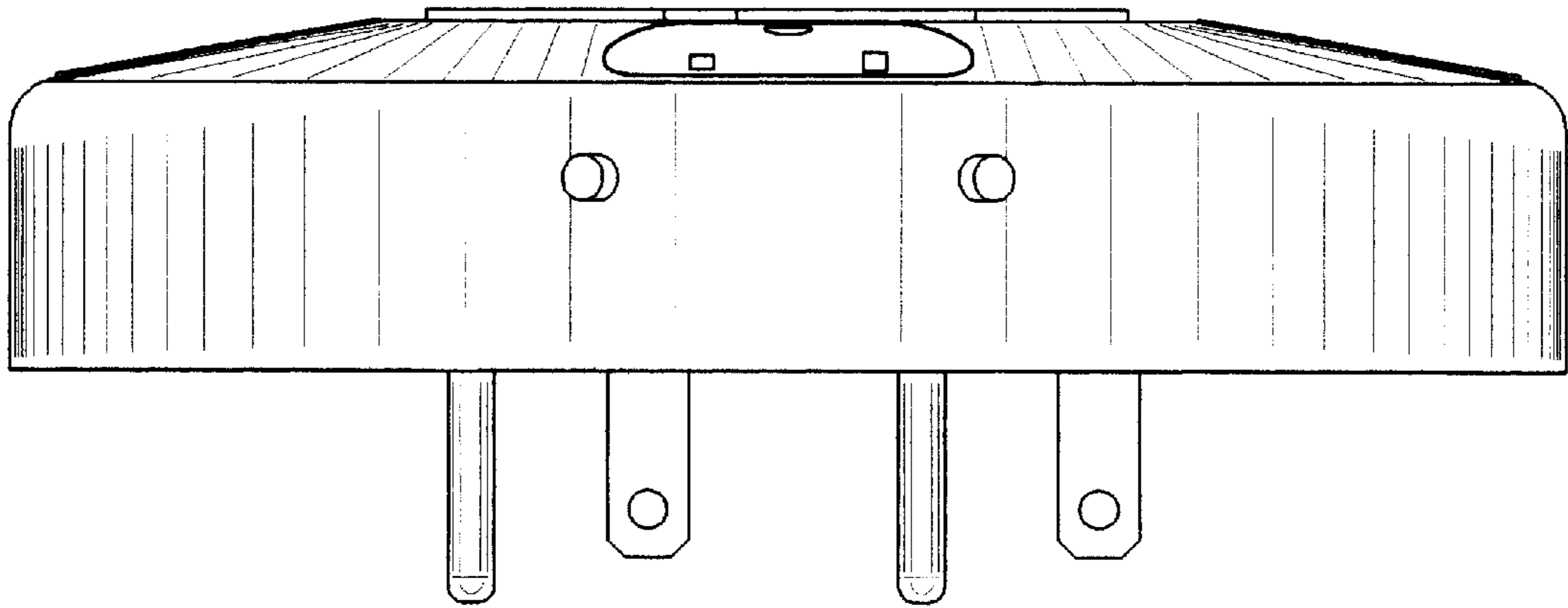


FIG 2

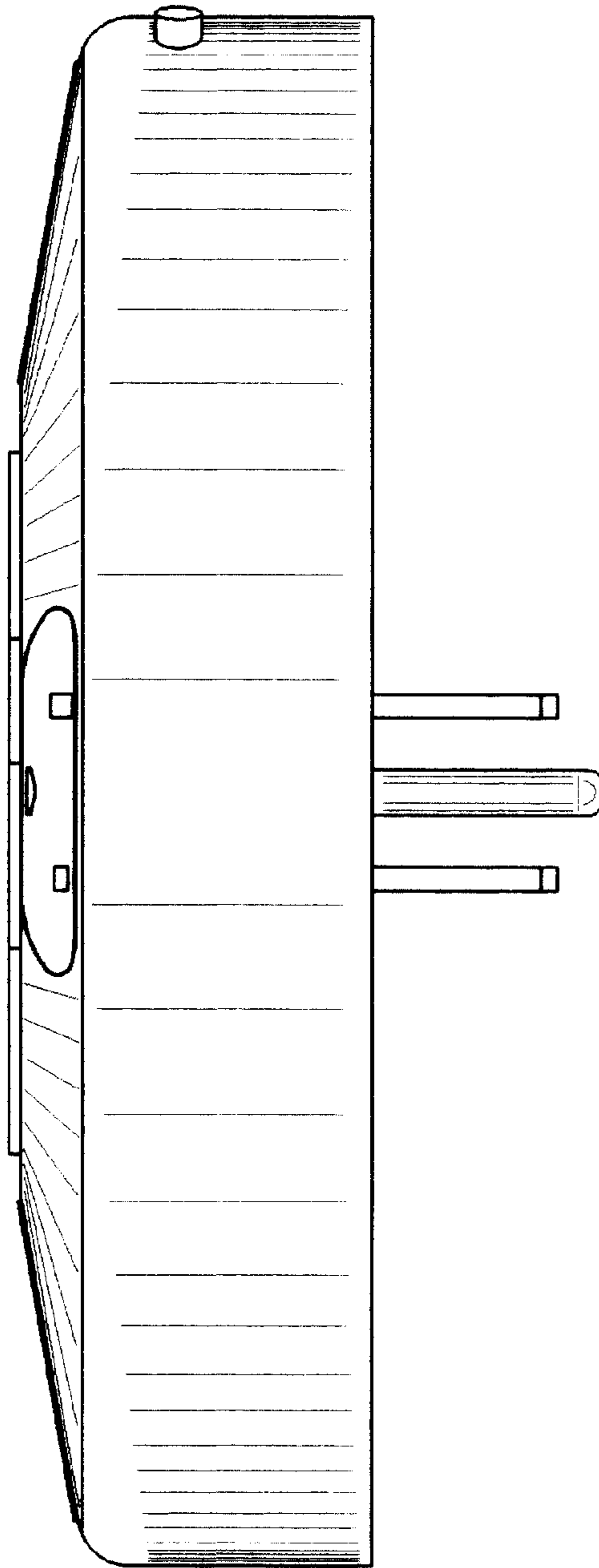


FIG 3

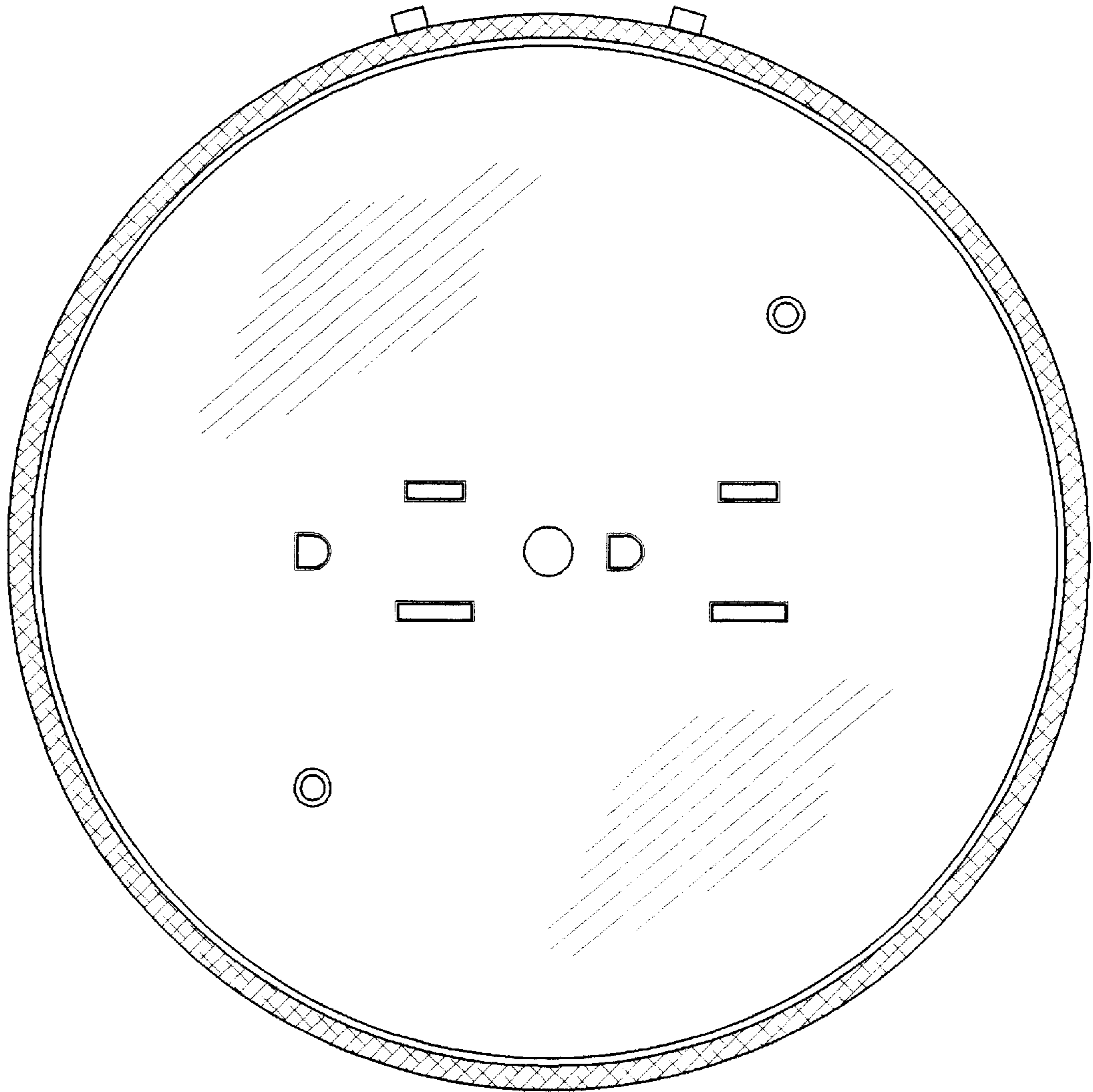


FIG 4

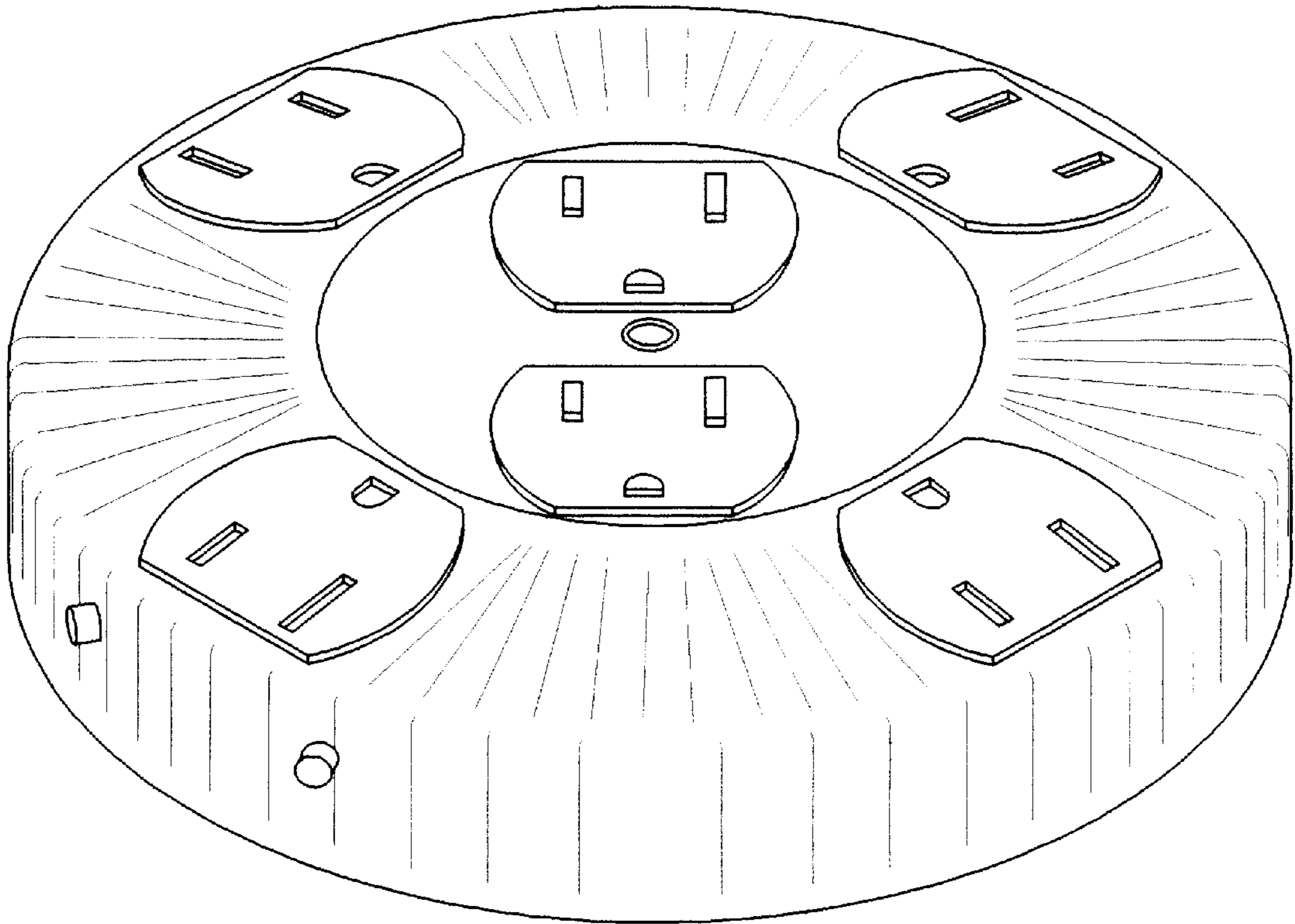


FIG 5

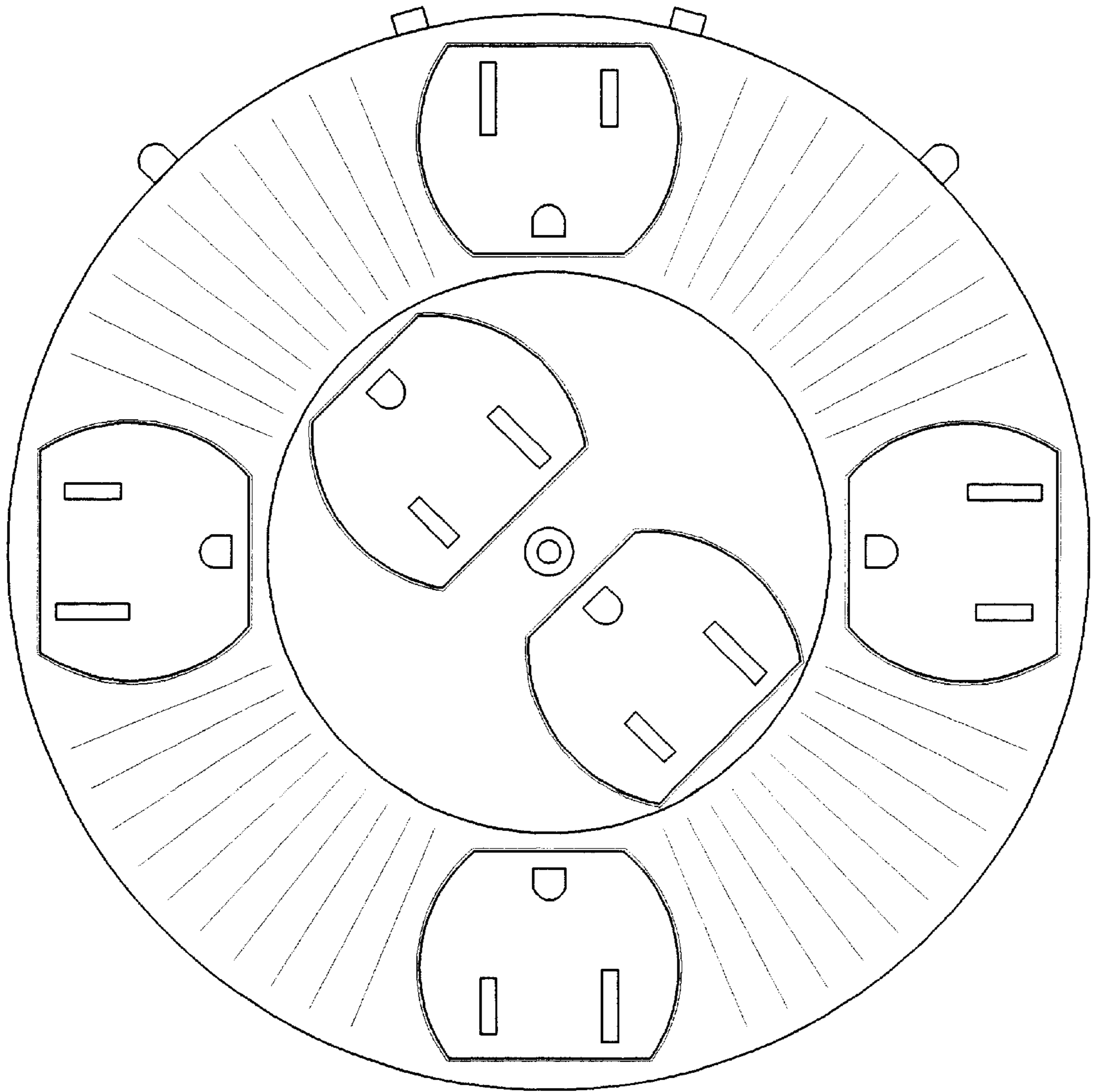


FIG 6

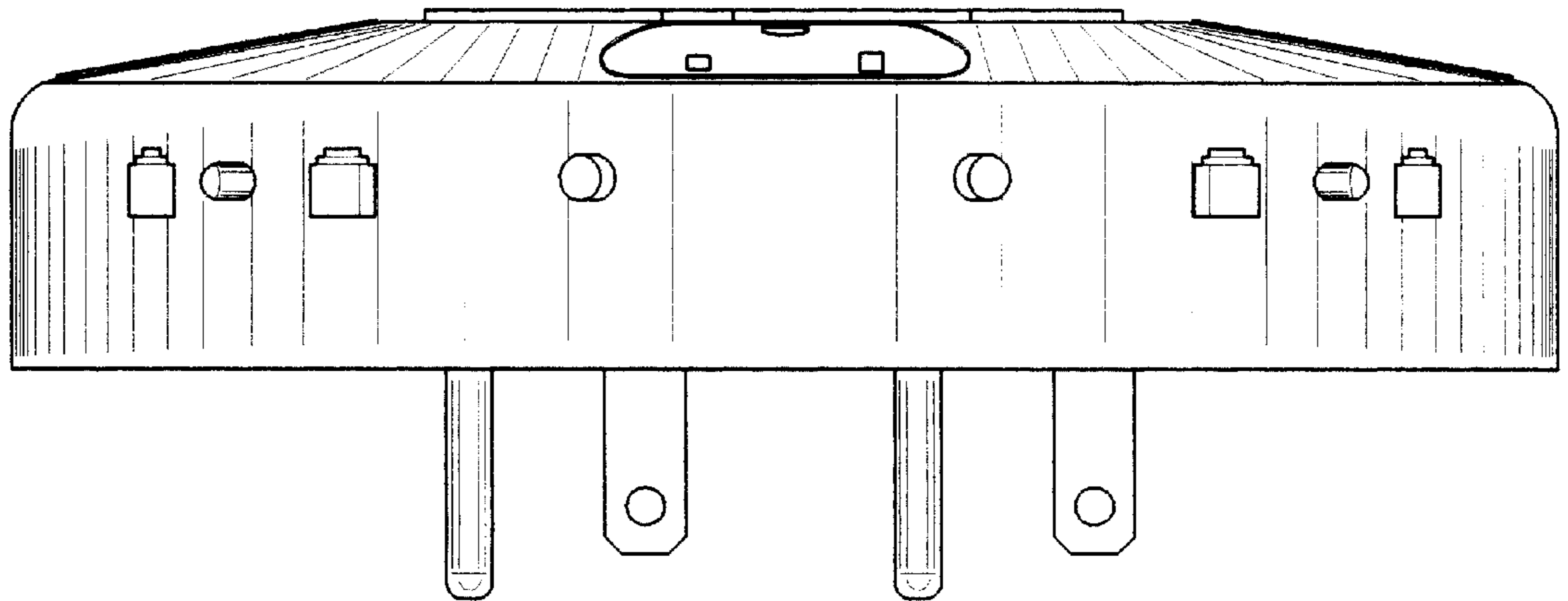


FIG 7

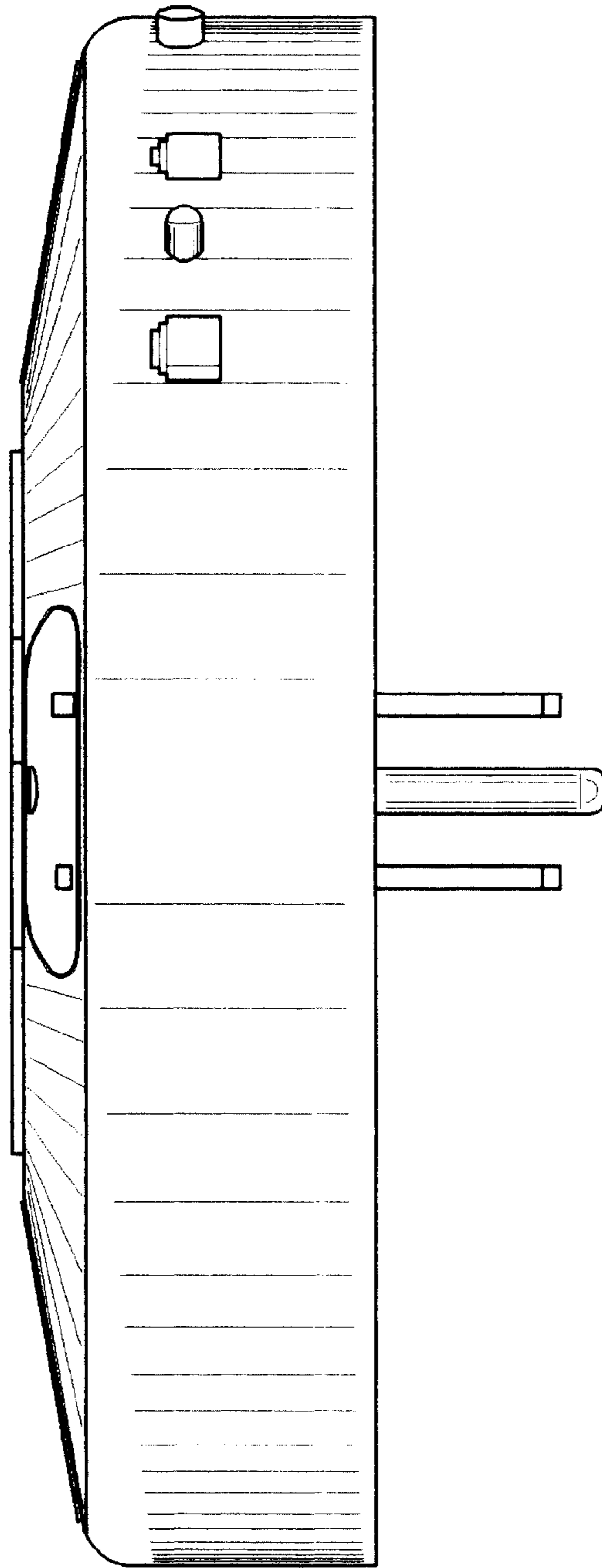


FIG 8

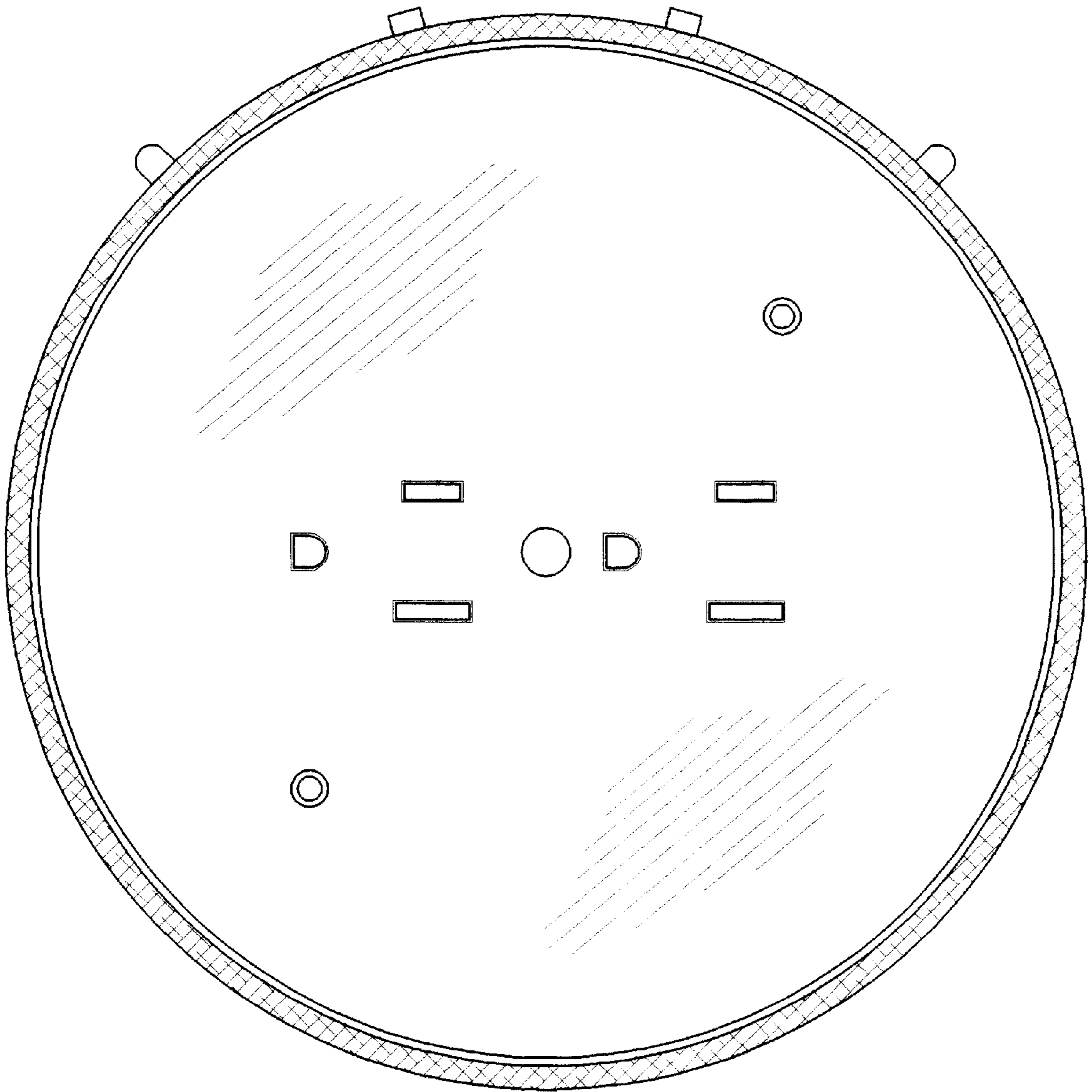


FIG 9

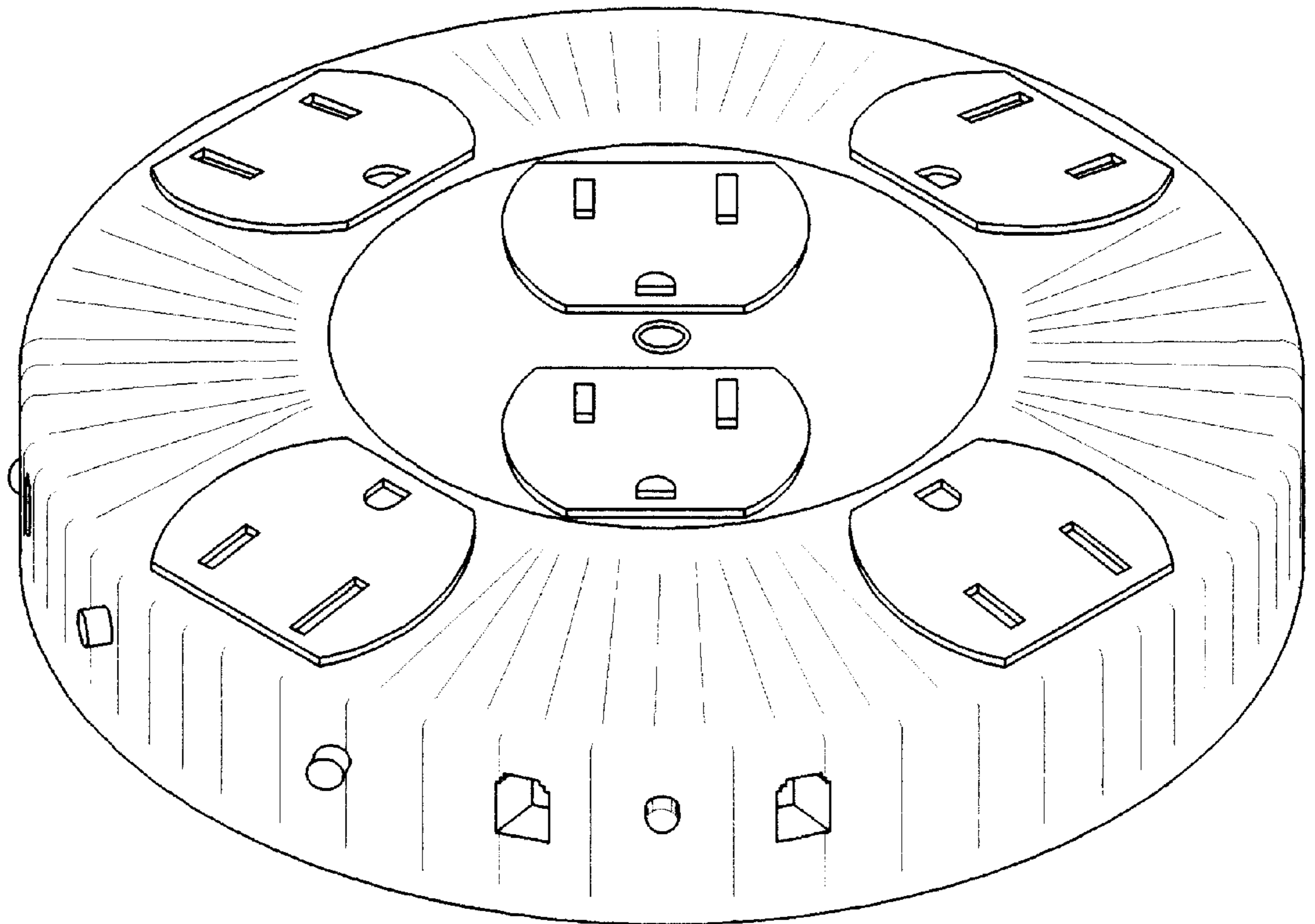


FIG 10

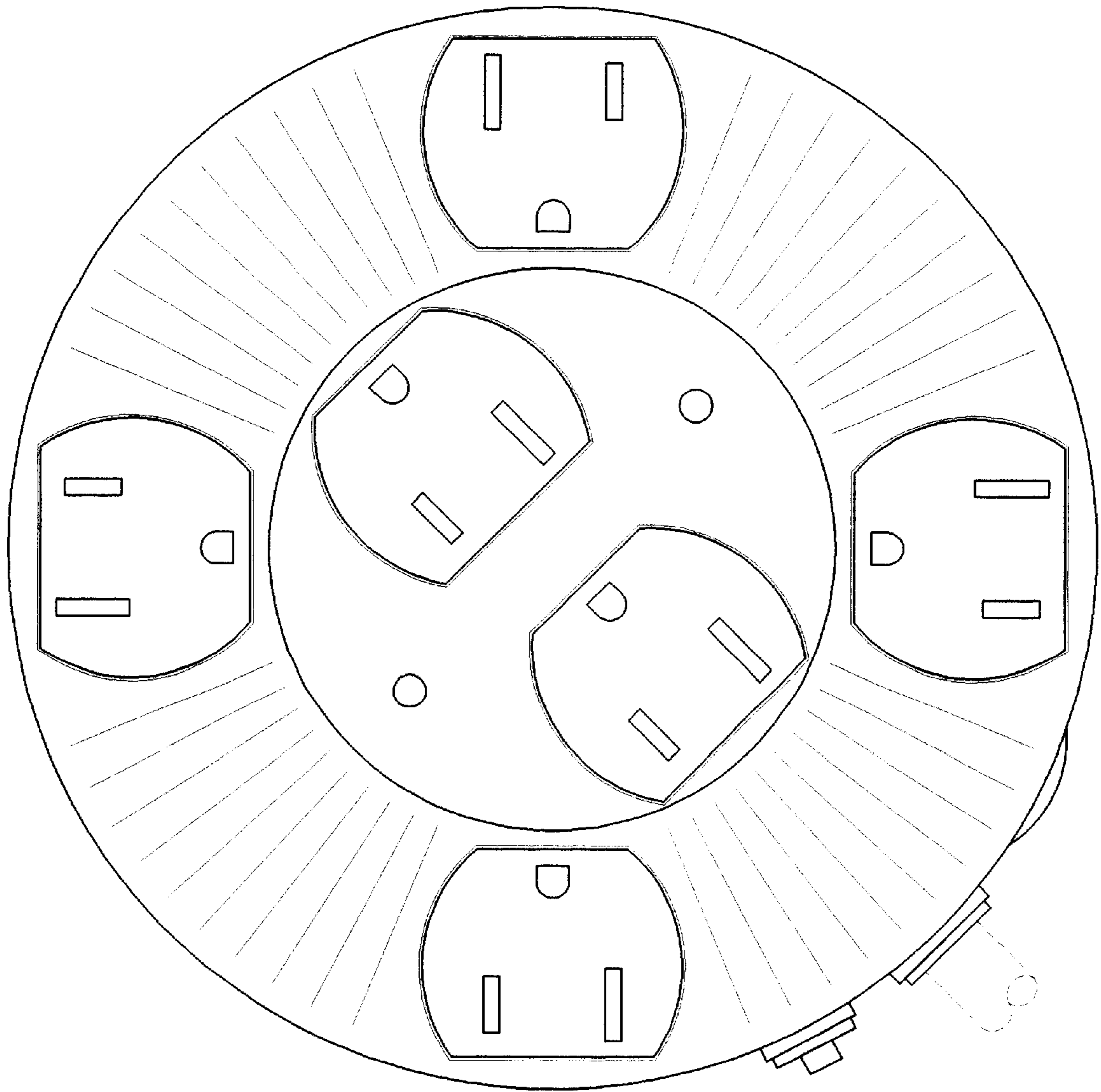


FIG 11

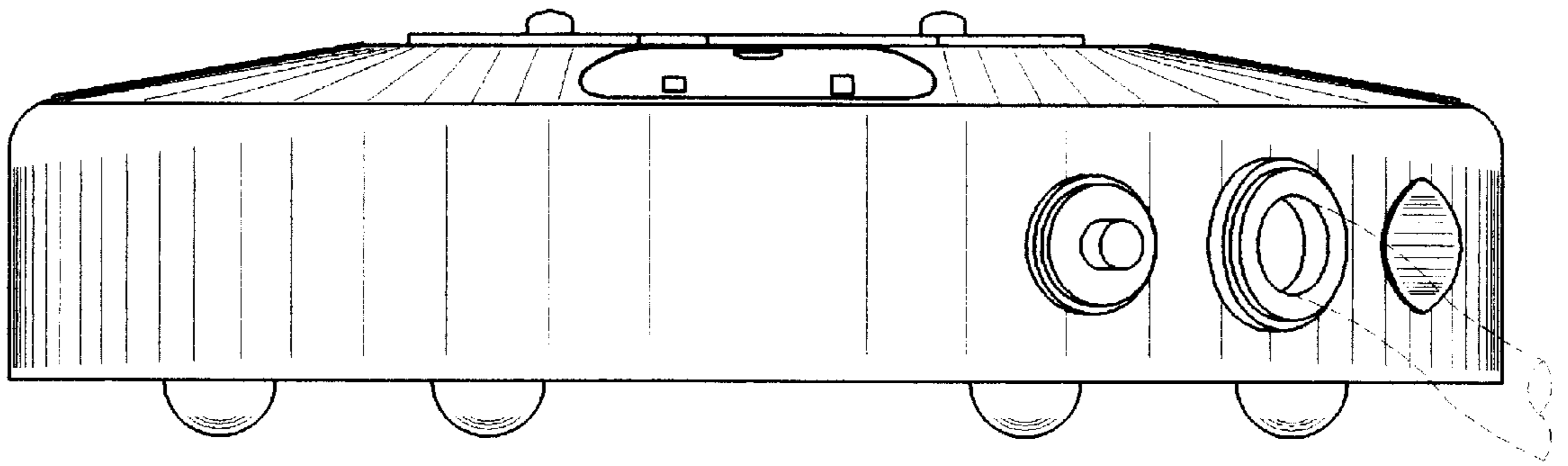


FIG 12

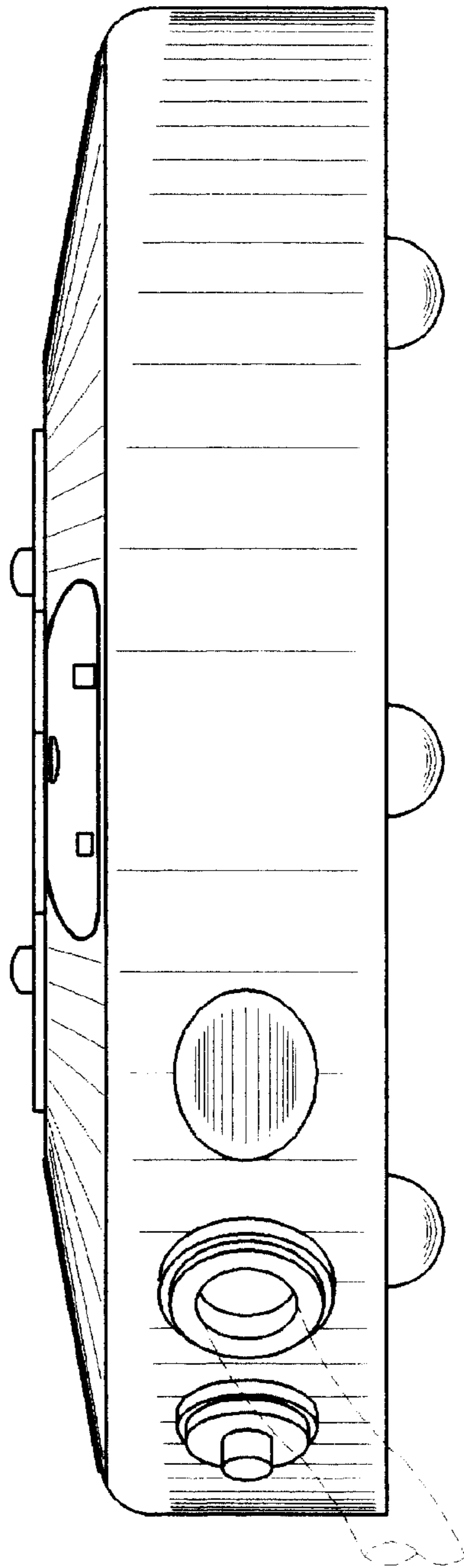


FIG 13

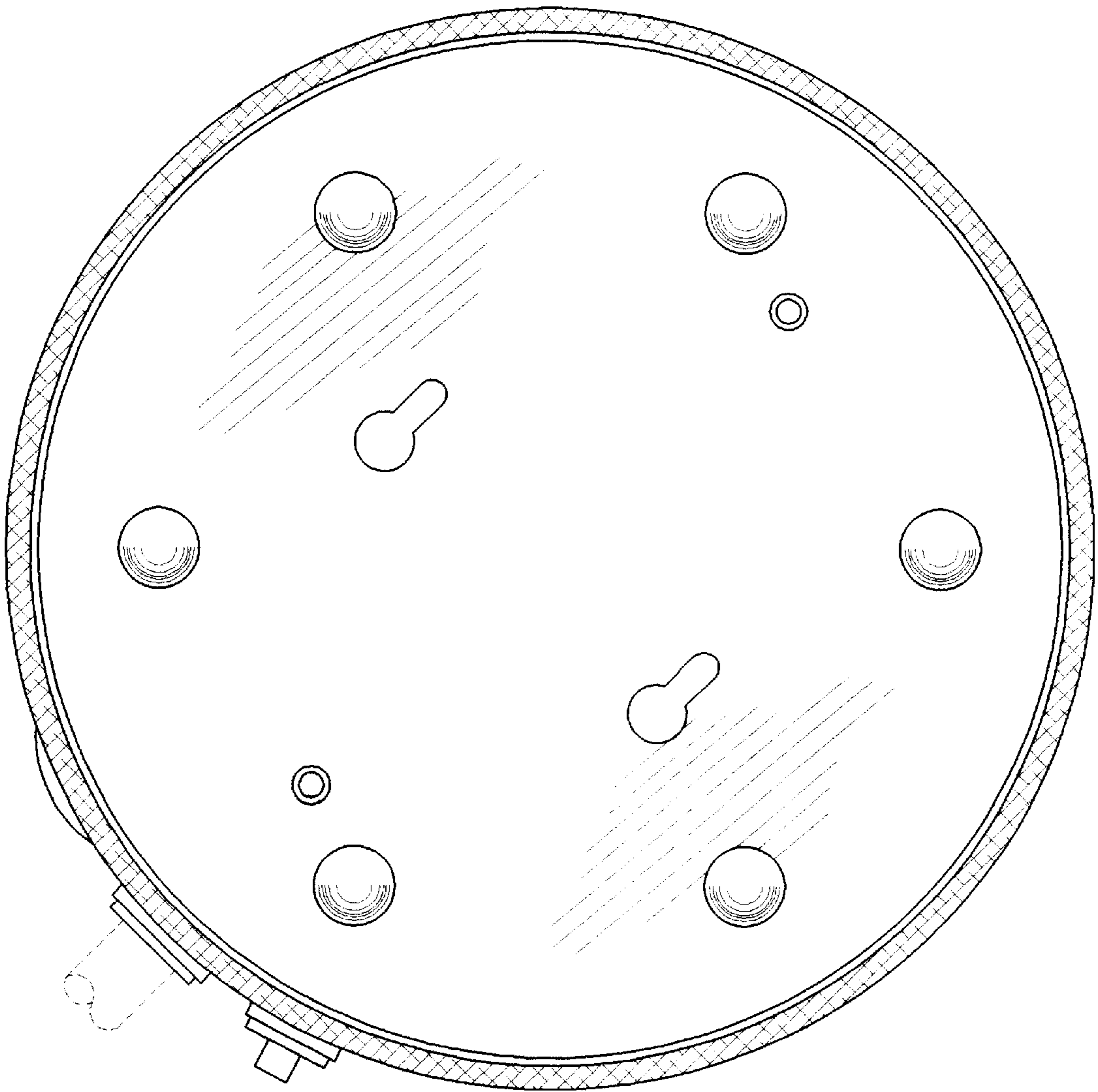


FIG 14

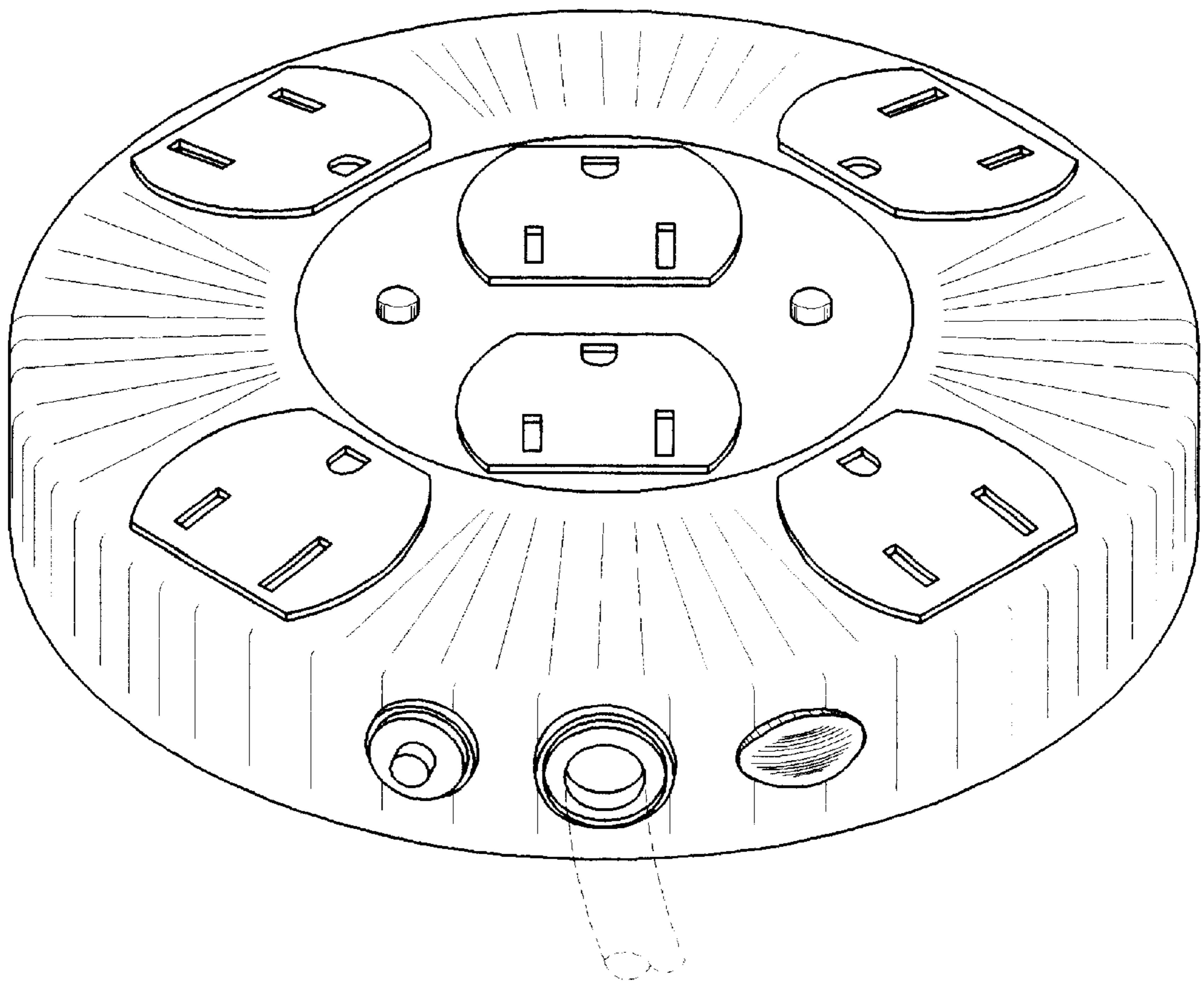


FIG 15