



US00D459306S

(12) **United States Design Patent**
Malin

(10) **Patent No.:** **US D459,306 S**

(45) **Date of Patent:** **** Jun. 25, 2002**

(54) **SINGLE PORT GROUND BLOCK**

(75) Inventor: **Glen K. Malin**, New York, NY (US)

(73) Assignee: **Allied Bolt, Inc.**, Hollis, NY (US)

(**) Term: **14 Years**

(21) Appl. No.: **29/148,206**

(22) Filed: **Sep. 17, 2001**

(51) **LOC (7) Cl.** **13-03**

(52) **U.S. Cl.** **D13/133**

(58) **Field of Search** **D13/133; D8/354;**
439/92, 95-99, 101, 108; 248/65; 379/413.03

(56) **References Cited**

U.S. PATENT DOCUMENTS

4,486,059	A	*	12/1984	Deyoung	439/92
D296,547	S		7/1988	Sachs		
D297,410	S	*	8/1988	Sachs	D8/354 X
5,370,345	A	*	12/1994	Condon	248/65
5,496,185	A	*	3/1996	Beak	439/95
5,606,606	A	*	2/1997	Schneider et al.	..	379/413.03 X
D395,997	S	*	7/1998	Coll et al.	D13/133
6,252,166	B1	*	6/2001	Leschinger	439/92 X
6,283,771	B1	*	9/2001	Mitchell et al.	439/95
6,322,376	B1	*	11/2001	Jetton	439/92 X

OTHER PUBLICATIONS

Thomas & Betts Catalog, pp. 69-73, Published Feb. 2000.

* cited by examiner

Primary Examiner—Joel Sincavage

(74) *Attorney, Agent, or Firm*—Wolf, Greenfield & Sacks, PC

(57) **CLAIM**

The ornamental design for a single port ground block, as shown and described.

DESCRIPTION

FIG. 1 is a top front side perspective view of a single port ground block showing associated components in phantom showing my new design.

FIG. 2 is a front elevational view thereof;

FIG. 3 is a left side elevational view, the right side being a mirror image thereof;

FIG. 4 is a rear elevation view thereof;

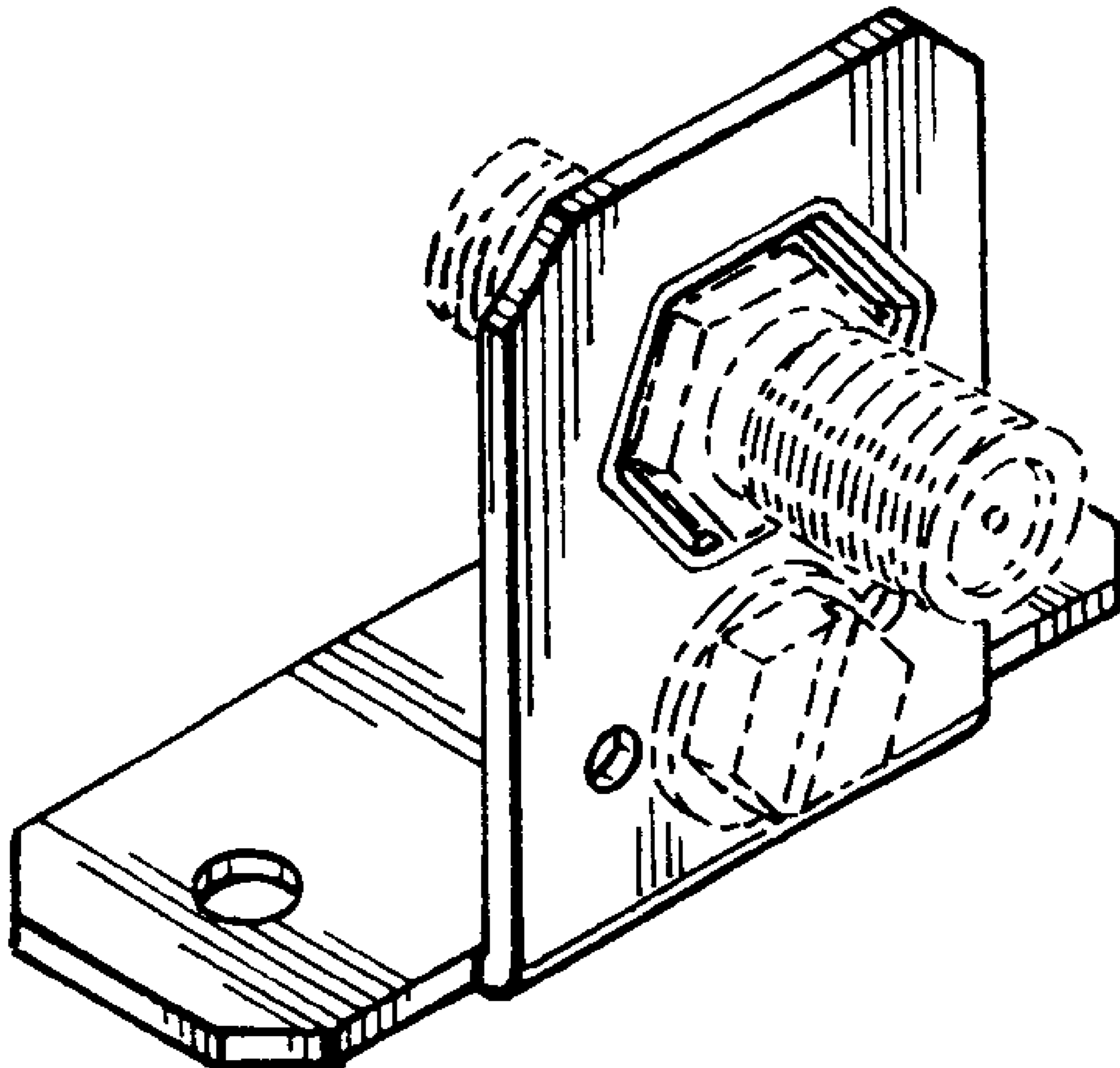
FIG. 5 is a top plan view thereof;

FIG. 6 is a bottom plan view thereof; and,

FIG. 7 is a top front, left side perspective view of the single port ground block shown in FIG. 1.

The broken lines illustrating a screw and nut in position is for illustrative purposes only and forms no part of the claimed design.

1 Claim, 1 Drawing Sheet



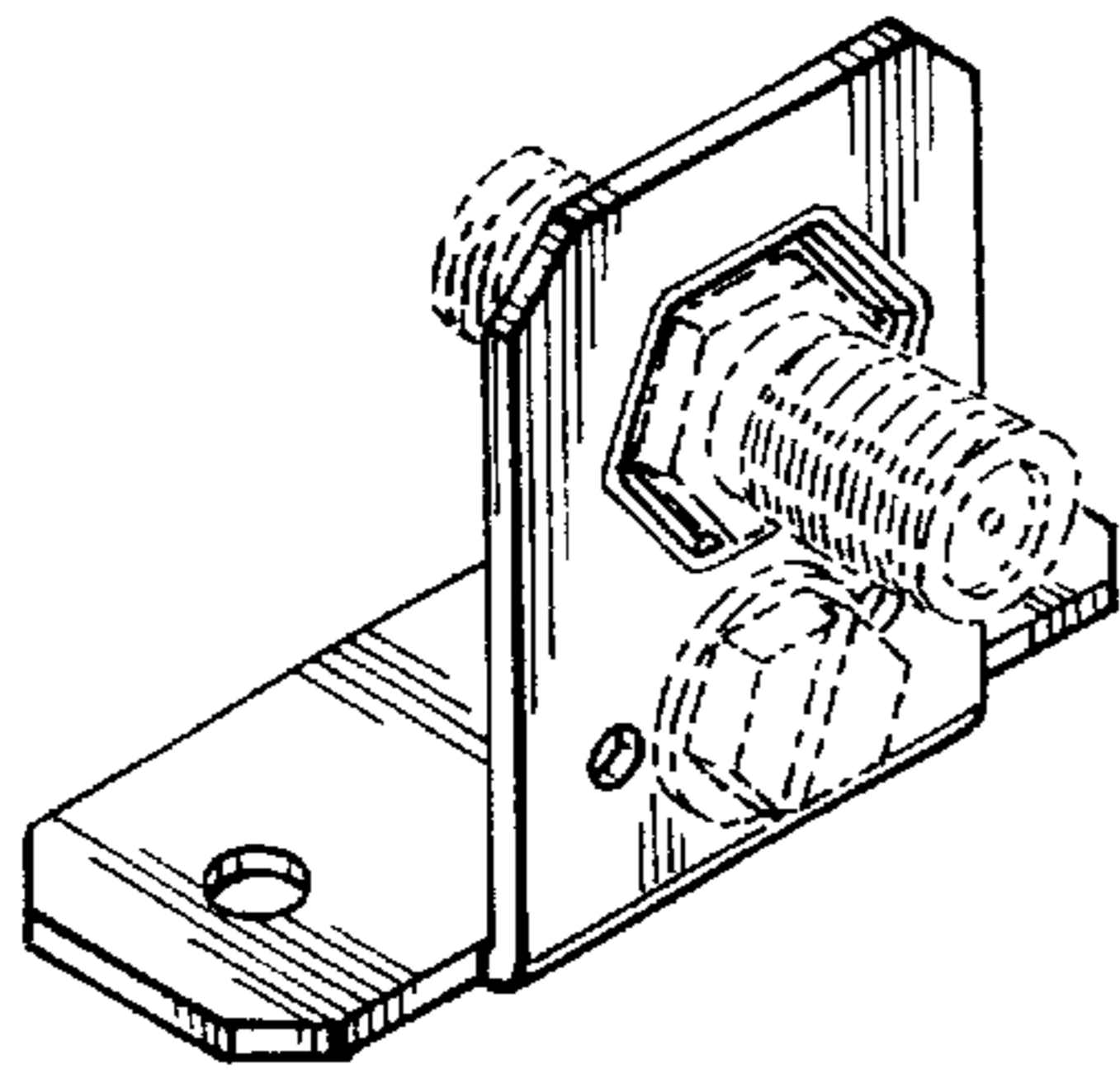


Fig. 1

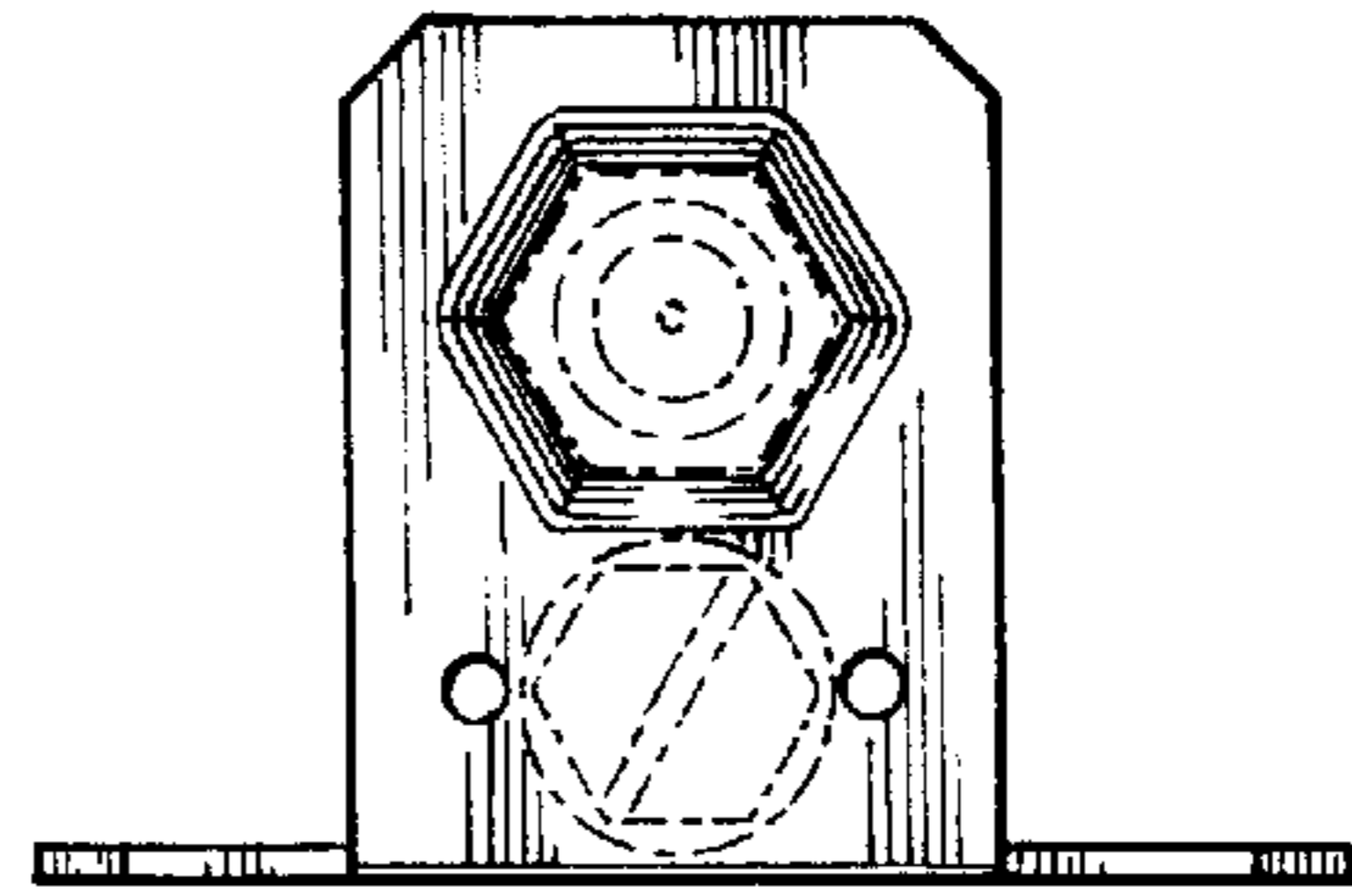


Fig. 2

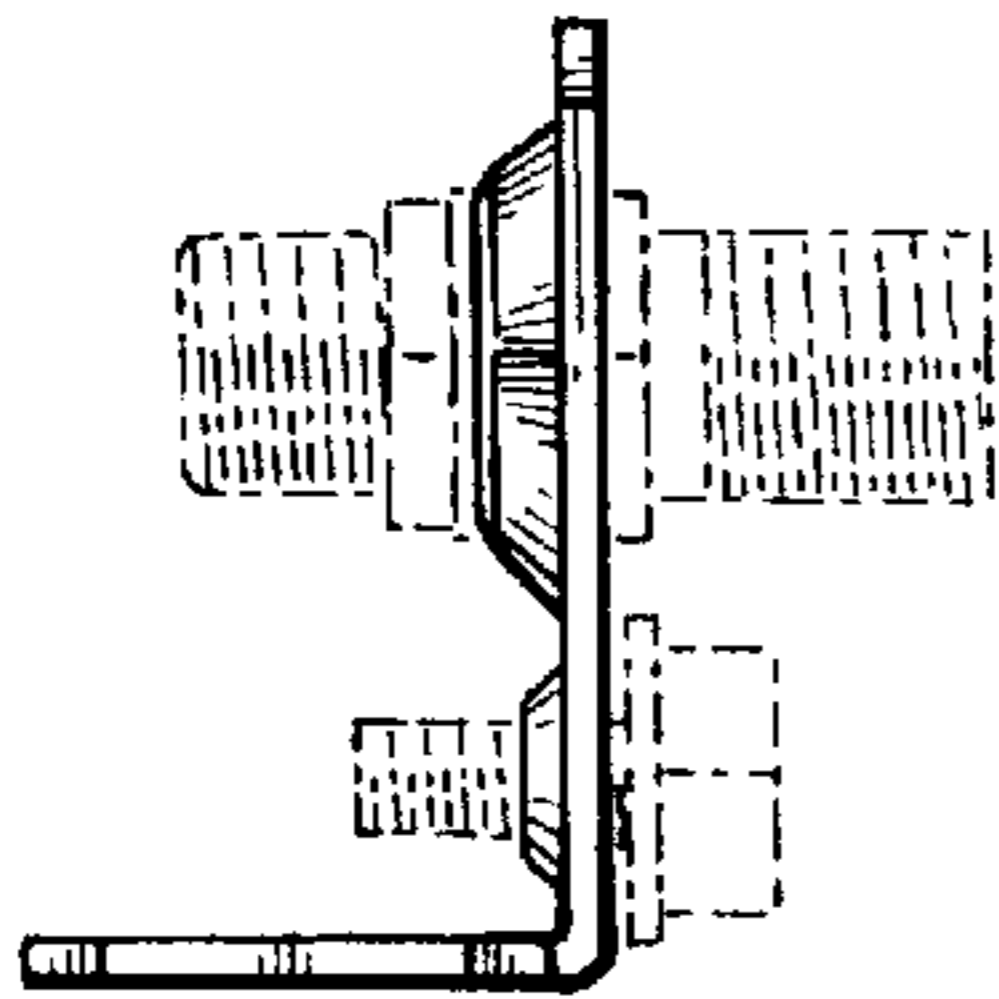


Fig. 3

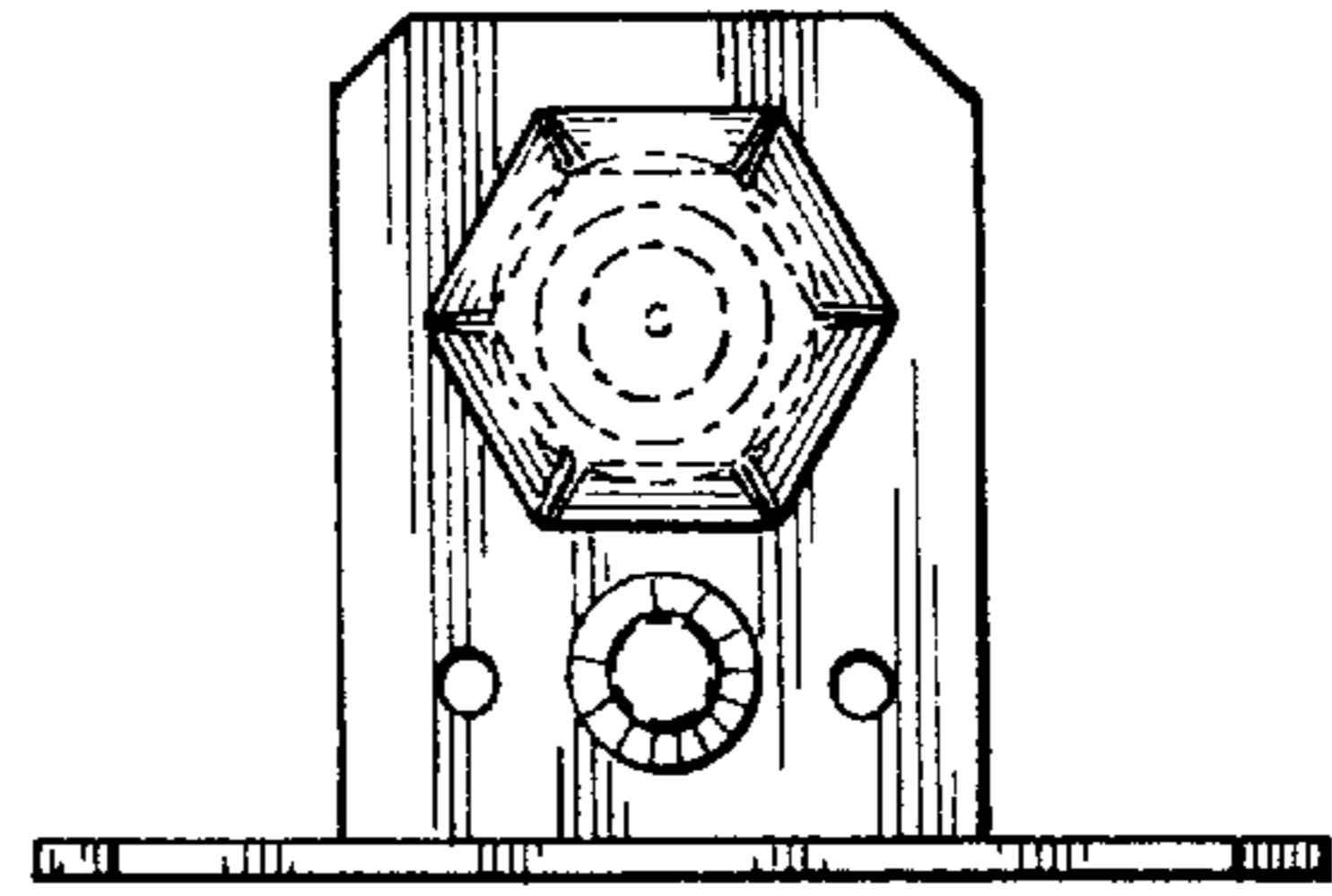


Fig. 4

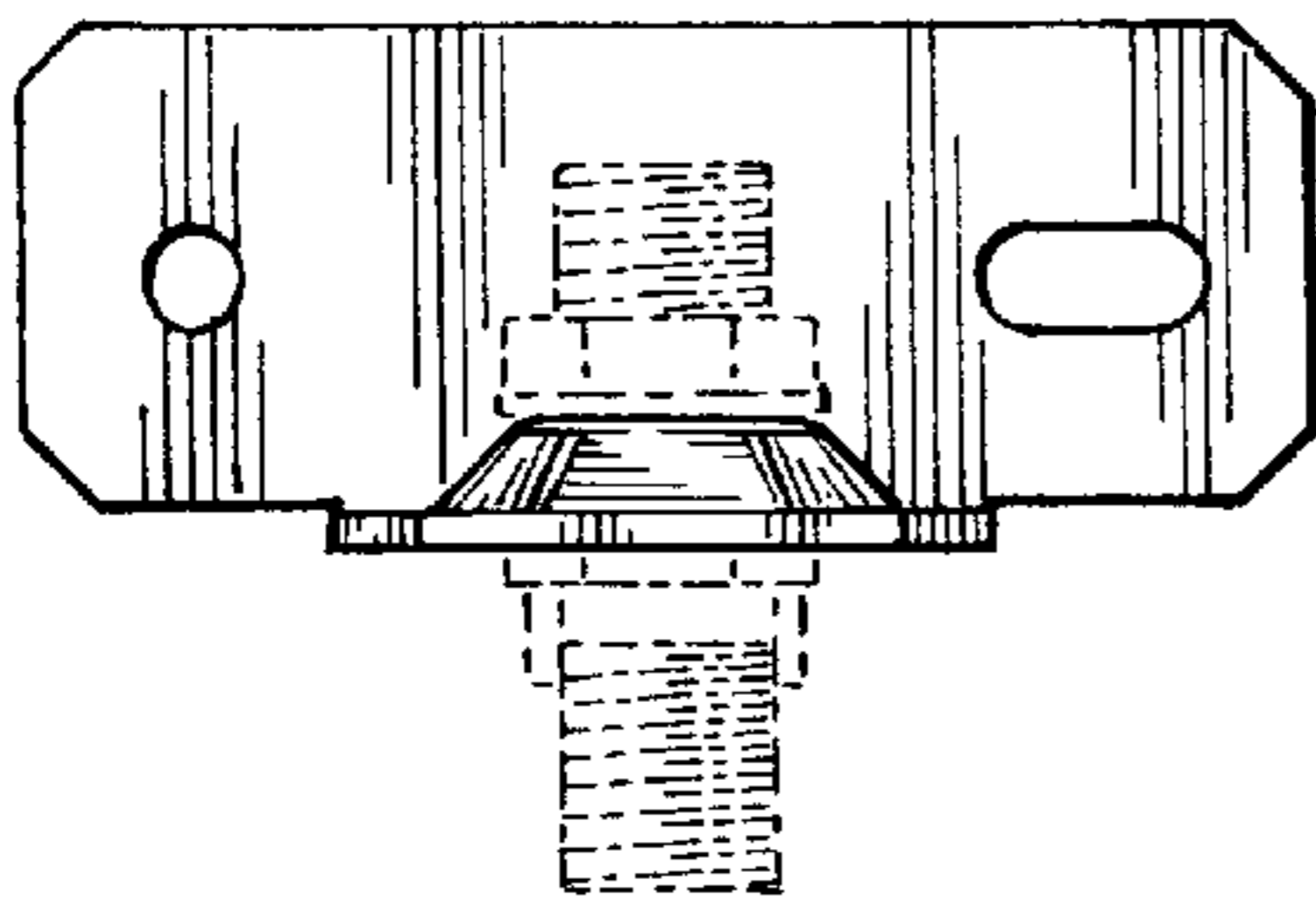


Fig. 5

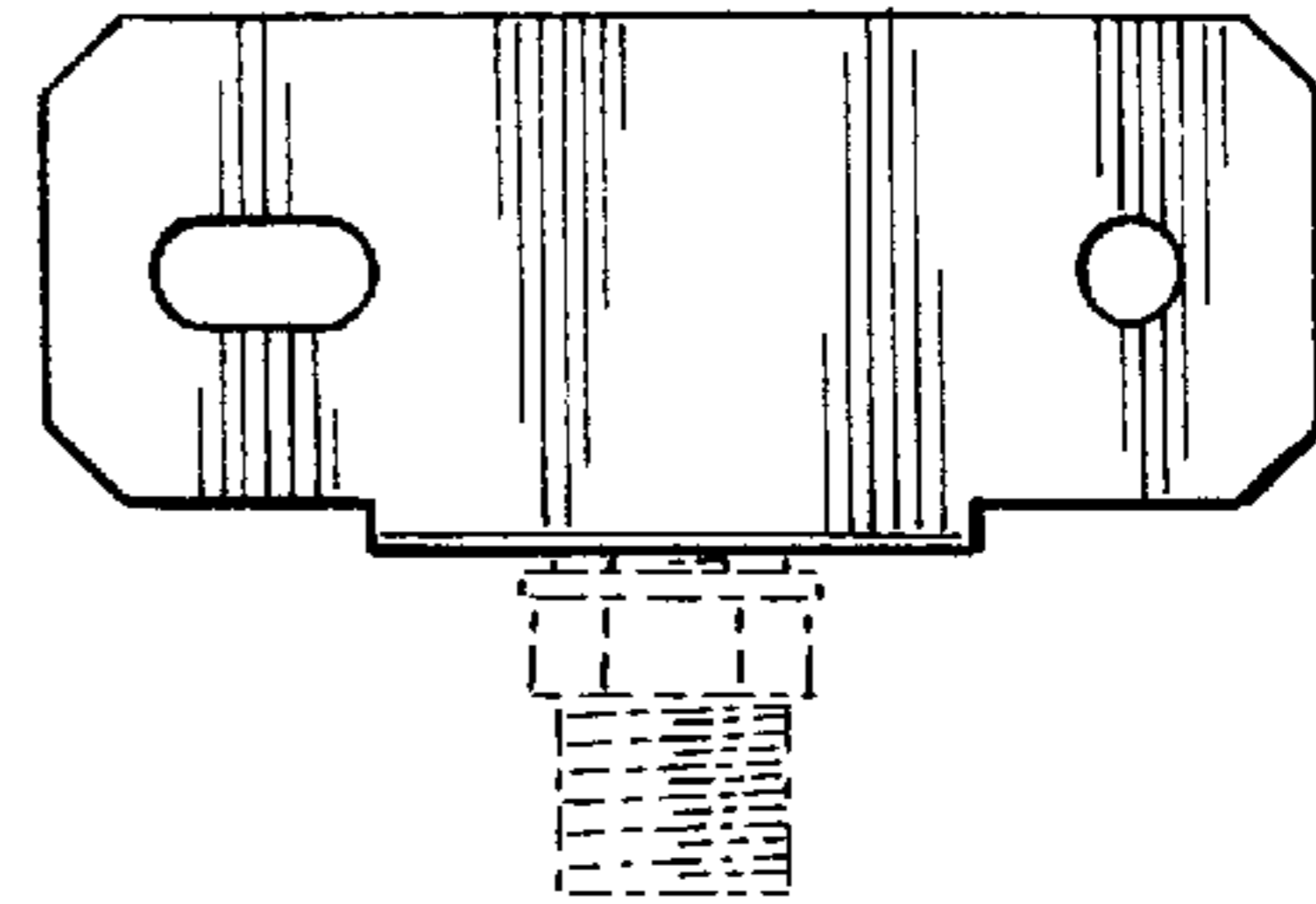


Fig. 6

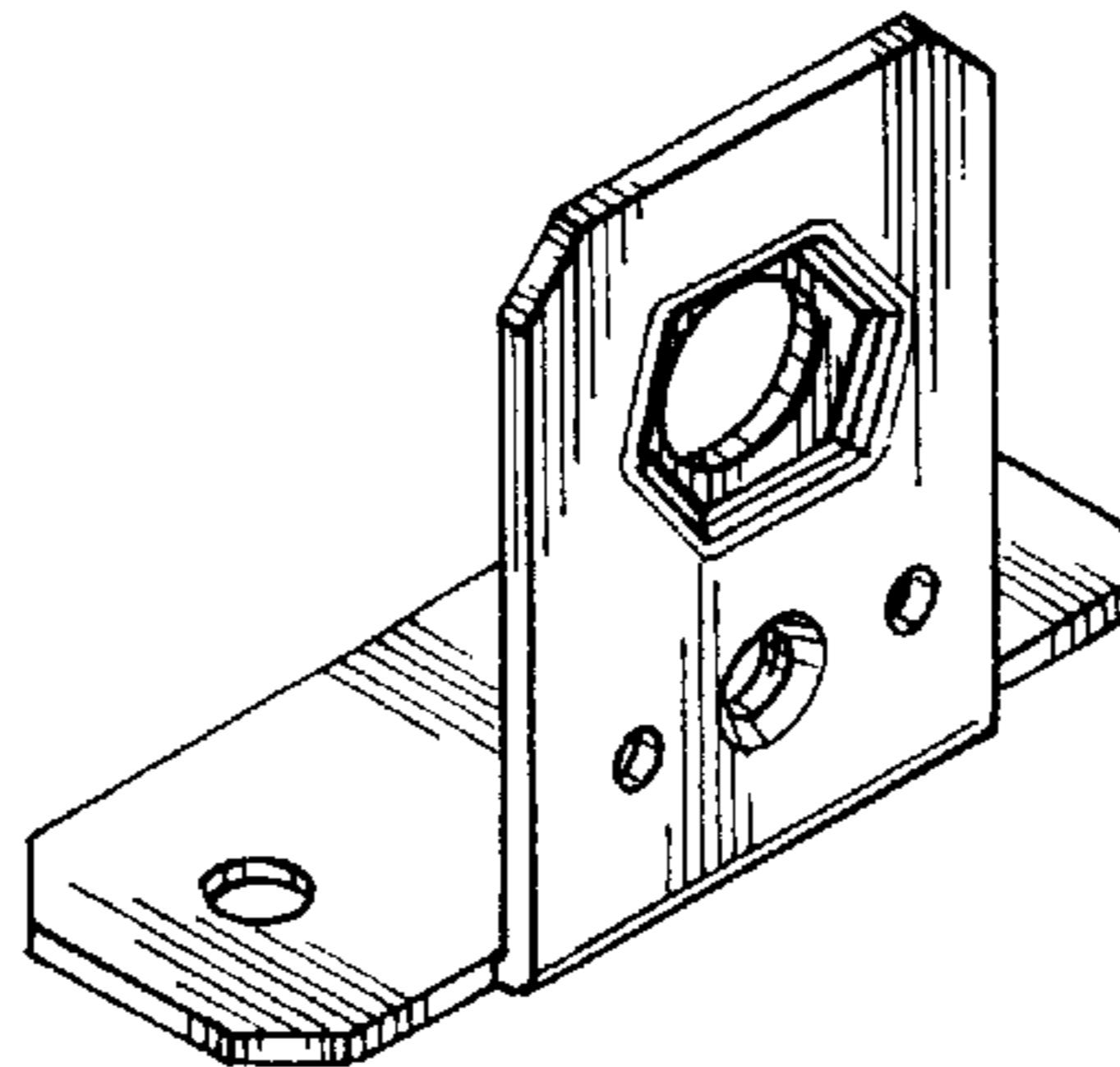


Fig. 7