



US00D459304S

(12) **United States Design Patent**
Malin

(10) **Patent No.:** **US D459,304 S**

(45) **Date of Patent:** **** Jun. 25, 2002**

(54) **GROUND BLOCK**

(75) Inventor: **Glen K. Malin**, New York, NY (US)

(73) Assignee: **Allied Bolt, Inc.**, Hollis, NY (US)

(**) Term: **14 Years**

(21) Appl. No.: **29/148,169**

(22) Filed: **Sep. 17, 2001**

(51) **LOC (7) Cl.** **13-03**

(52) **U.S. Cl.** **D13/133**

(58) **Field of Search** **D13/133; D8/354;**
439/92, 95-99, 101, 108; 248/65; 379/413.08

(56) **References Cited**

U.S. PATENT DOCUMENTS

D296,547 S	7/1988	Sachs	
D297,410 S	* 8/1988	Sachs D8/356
D364,332 S	* 11/1995	Sachs D13/133 X
D369,780 S	* 5/1996	Sachs D13/133
5,606,606 A	* 2/1997	Schneider et al. 379/413.03
D395,997 S	* 7/1998	Coll et al. D8/354
6,252,166 B1	* 6/2001	Leschinger 439/92 X
6,283,771 B1	* 9/2001	Mitchell et al. 439/95
6,322,376 B1	* 11/2001	Jetton 439/92 X

OTHER PUBLICATIONS

Thomas & Betts Catalog, pp. 69-73, published Feb. 2000.

* cited by examiner

Primary Examiner—Joel Sincavage

(74) *Attorney, Agent, or Firm*—Wolf, Greenfield & Sacks, PC

(57) **CLAIM**

The ornamental design for a ground block, as shown and described.

DESCRIPTION

FIG. 1 is a top front left side perspective view of a ground block showing associated components in phantom showing my new design;

FIG. 2 is a front elevational view thereof;

FIG. 3 is a left side elevational view;

FIG. 4 is a right side elevational view;

FIG. 5 is a rear elevation view thereof;

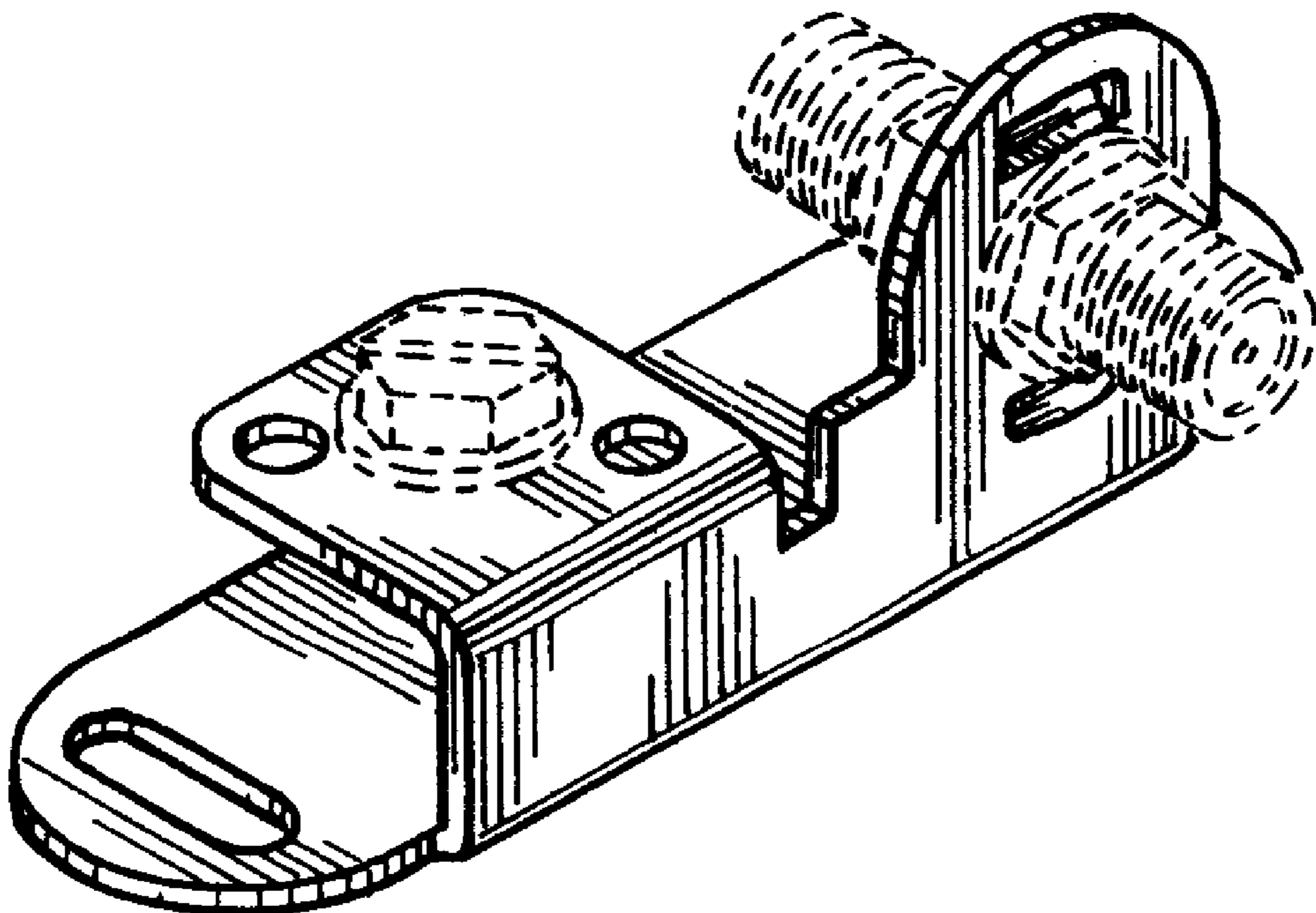
FIG. 6 is a top plan view thereof;

FIG. 7 is a bottom plan view thereof; and,

FIG. 8 is a top front, left side perspective view of the ground block shown in FIG. 1.

The broken lines illustrating a screw and nut in position is for illustrative purposes only and forms no part of the claimed design.

1 Claim, 1 Drawing Sheet



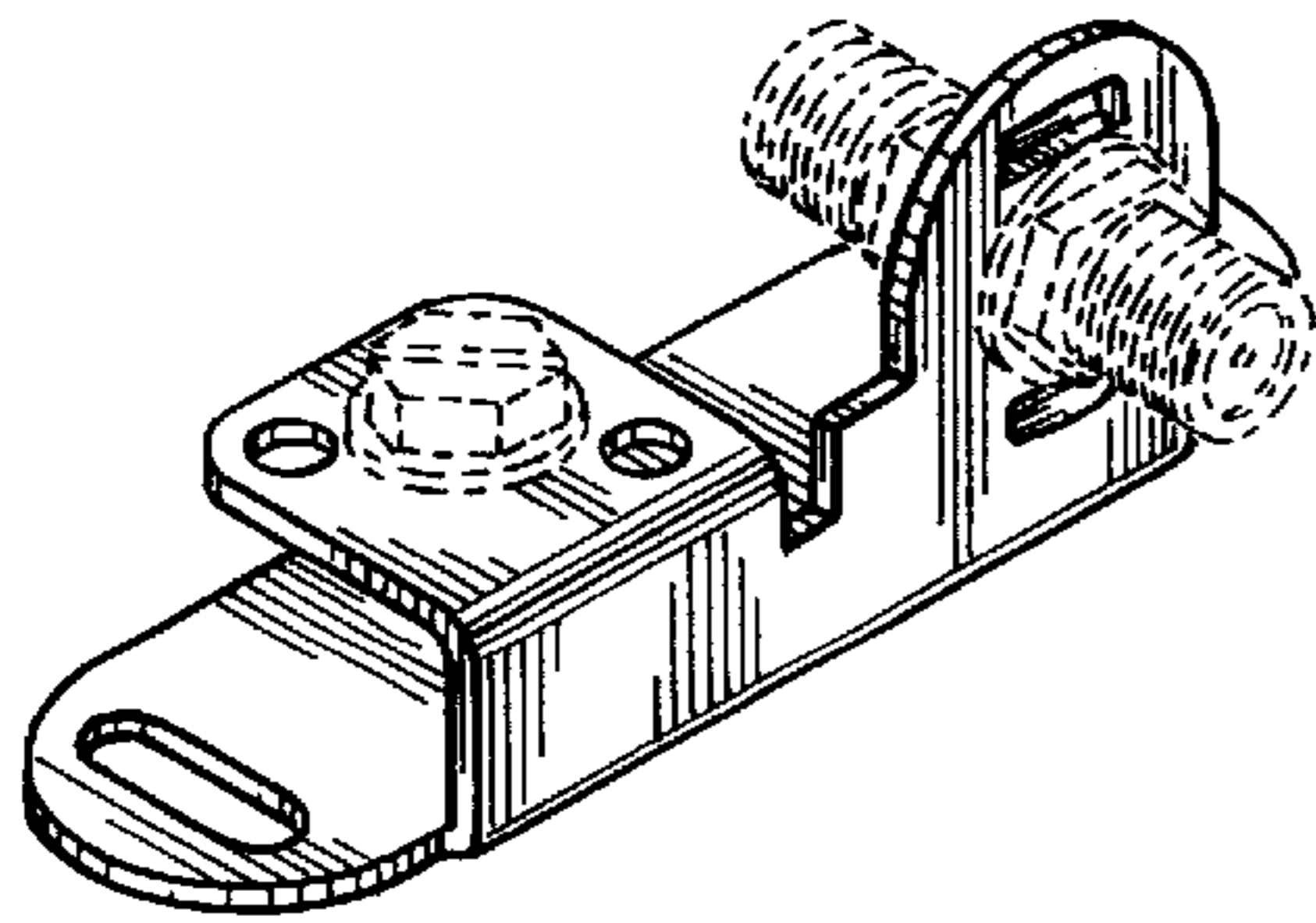


Fig. 1

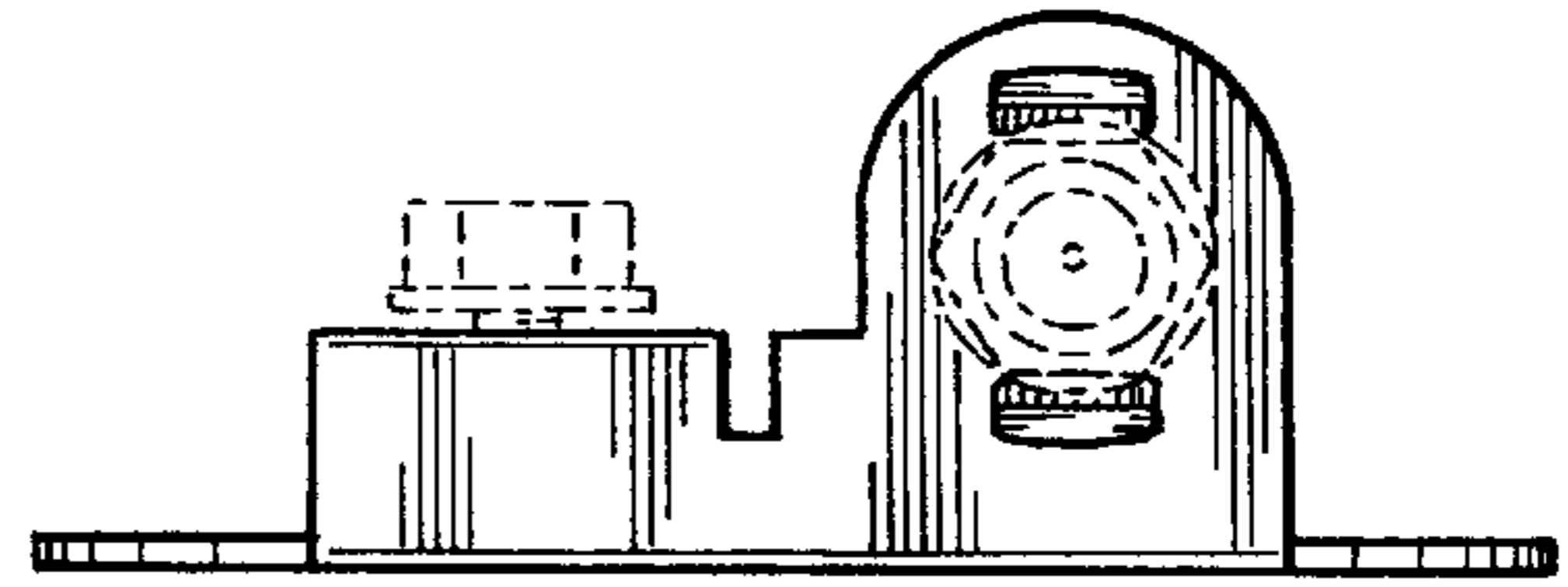


Fig. 2

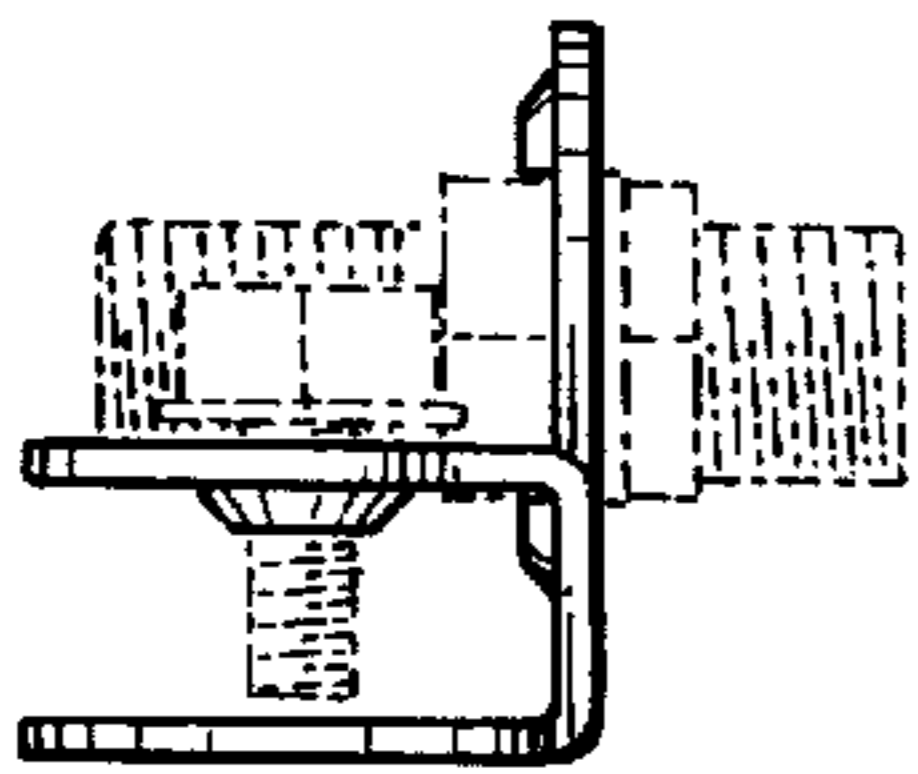


Fig. 3

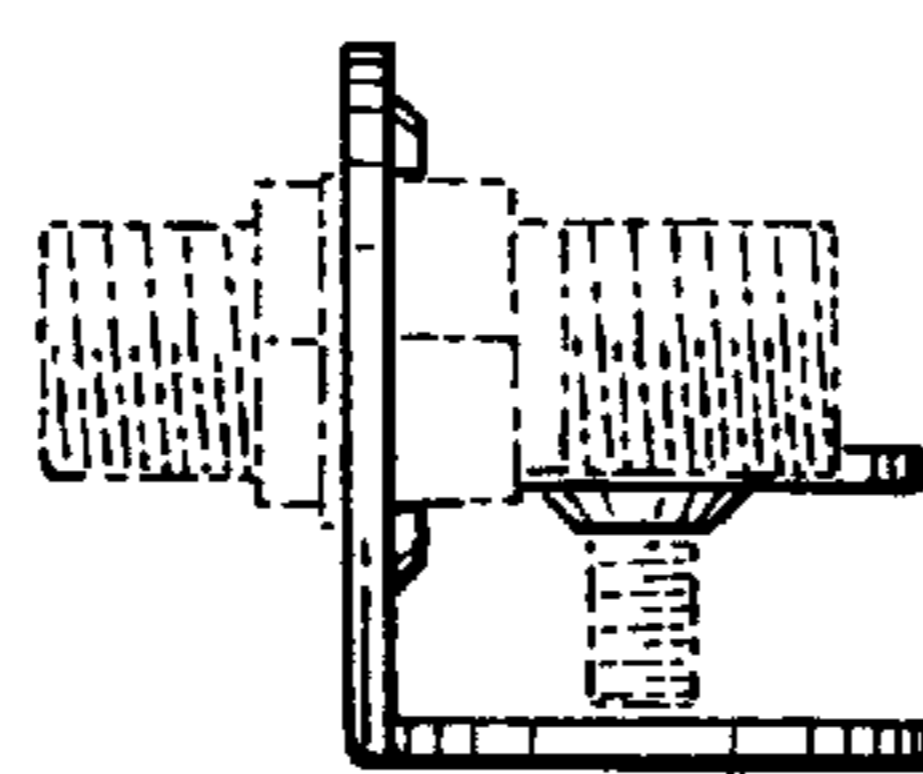


Fig. 4

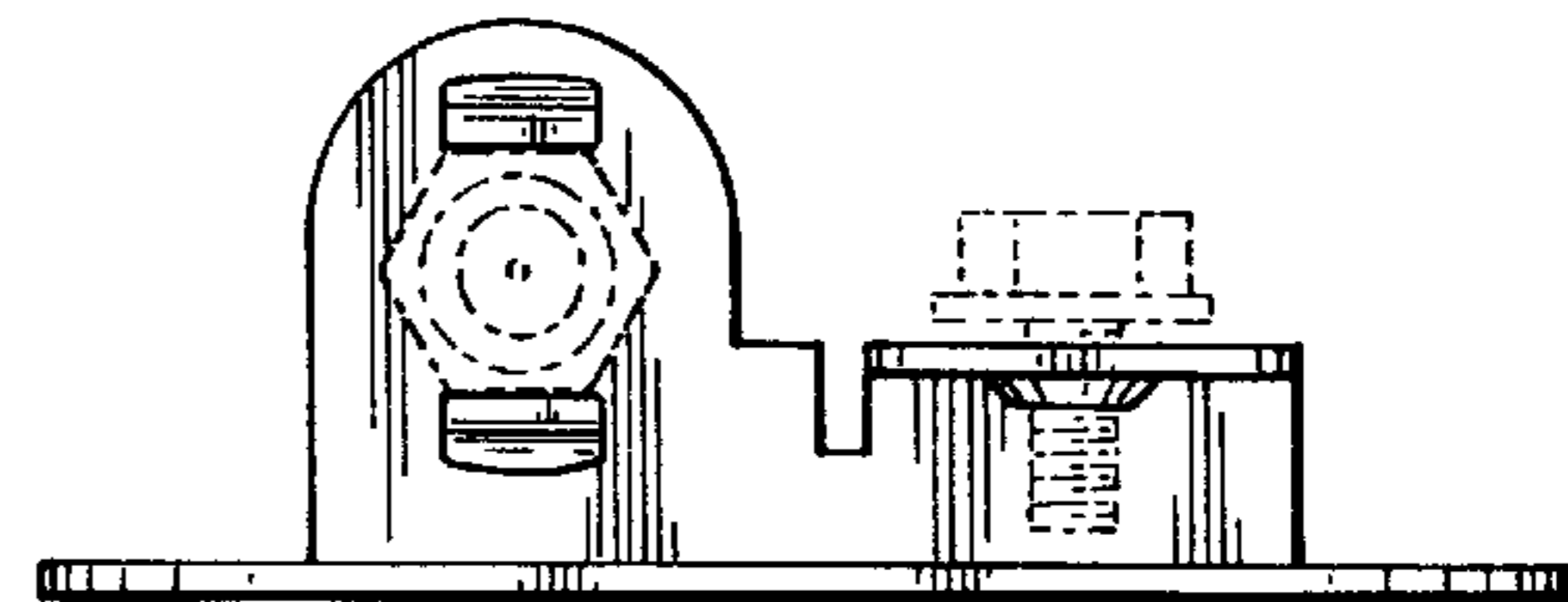


Fig. 5

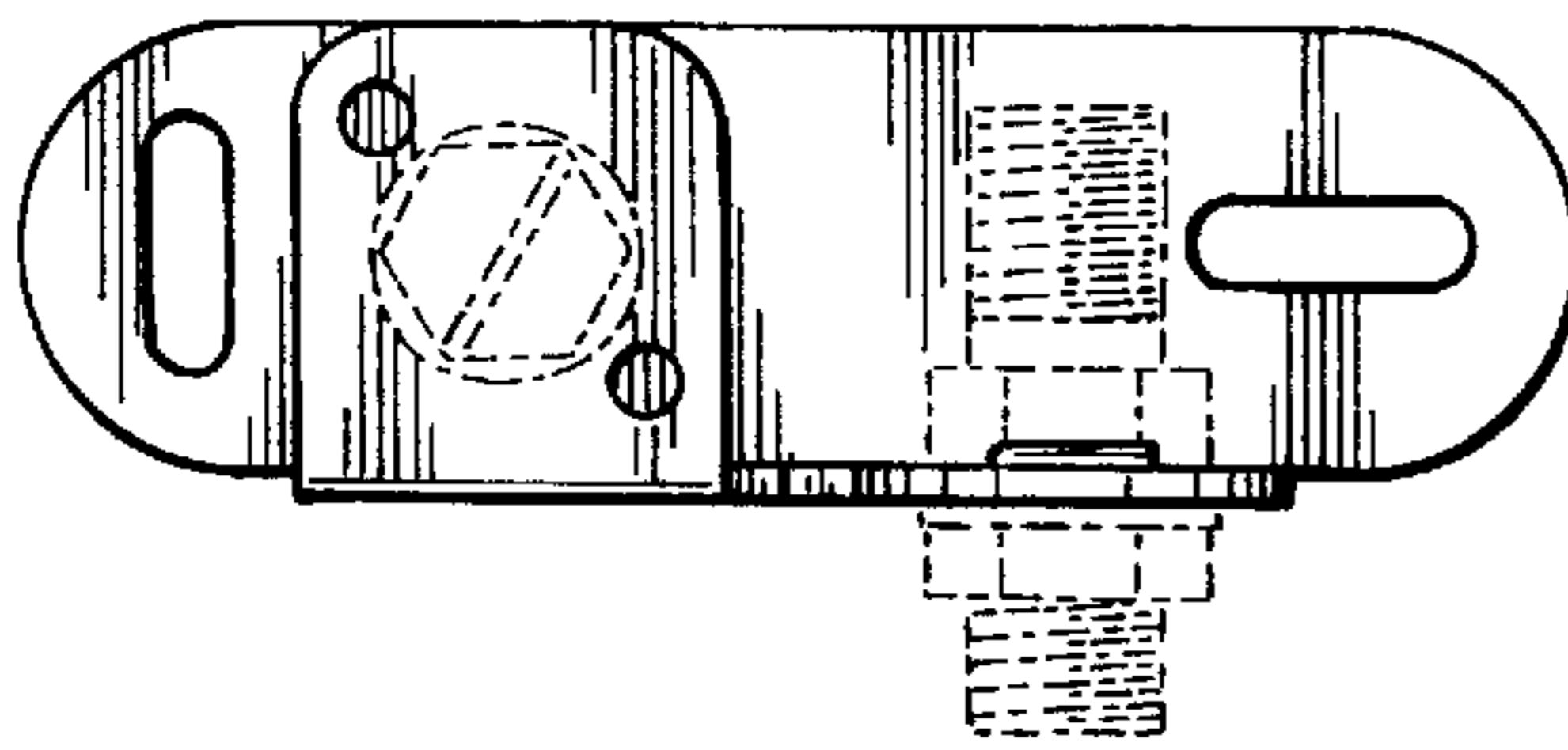


Fig. 6

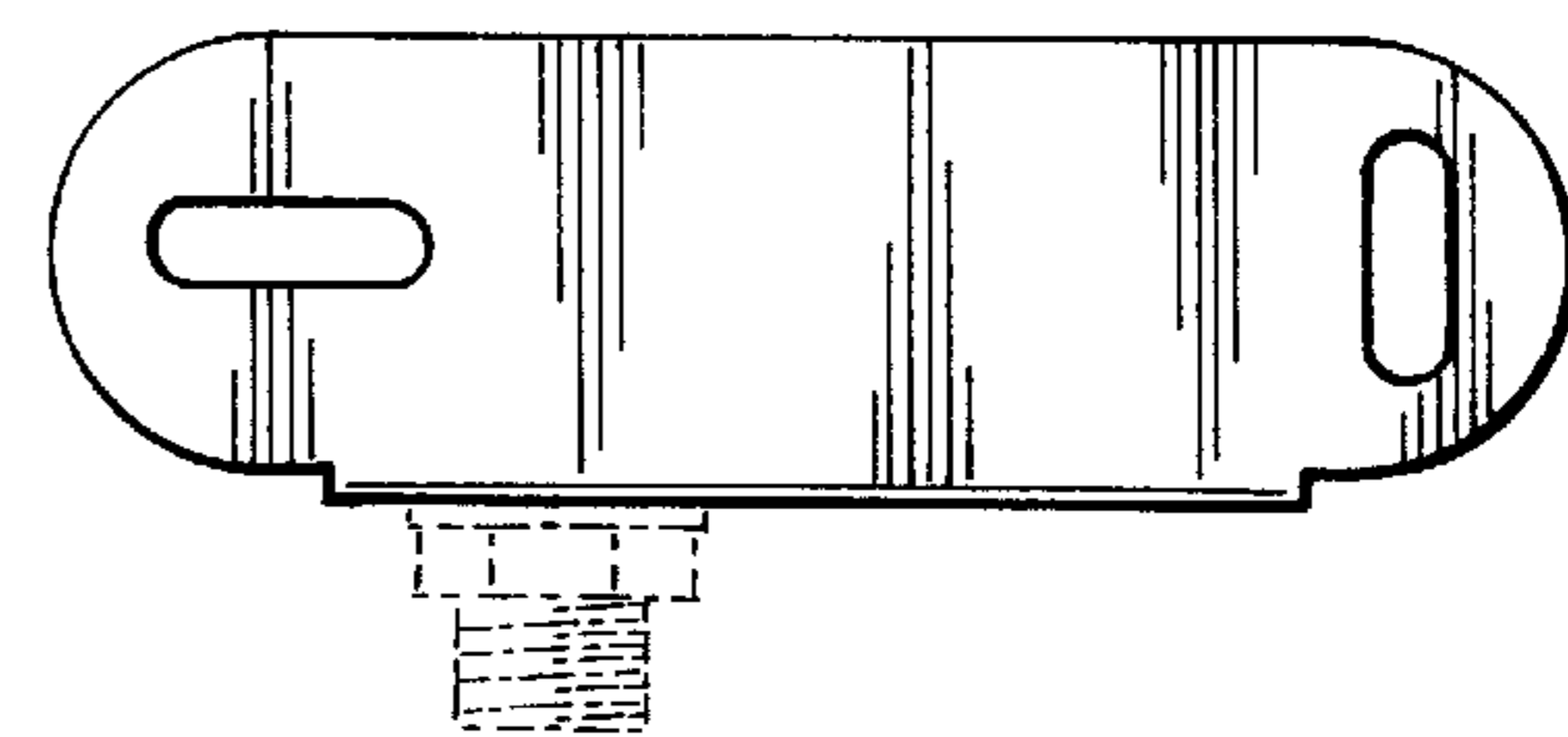


Fig. 7

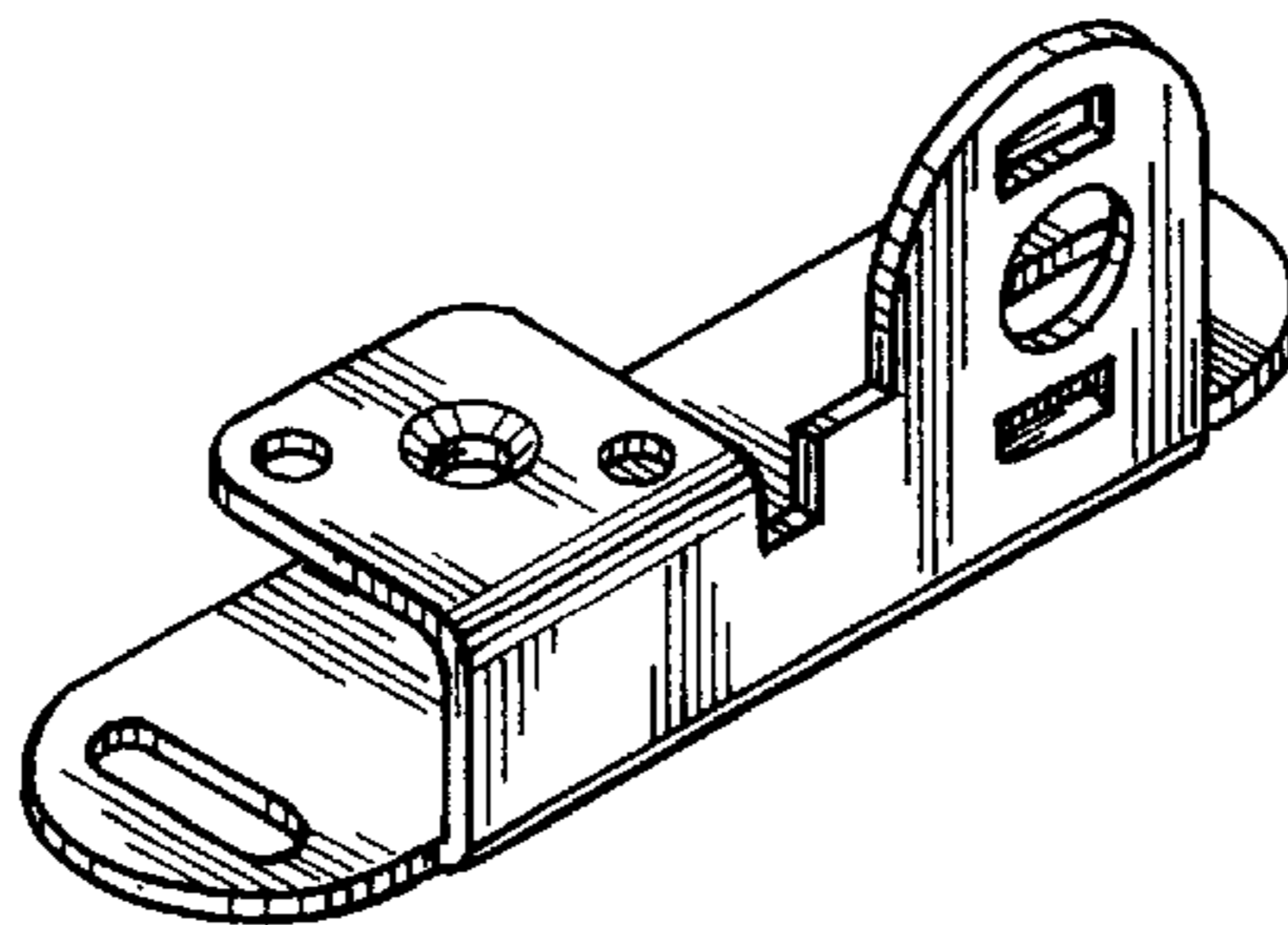


Fig. 8