



US00D459303S

(12) **United States Design Patent**
Florescu

(10) **Patent No.:** **US D459,303 S**

(45) **Date of Patent:** **** Jun. 25, 2002**

(54) **AUDIO CONNECTOR FOR A PC CARD**
(75) Inventor: **Danut Florescu**, Burnaby (CA)
(73) Assignee: **Sierra Wireless, Inc.**, Richmond (CA)
(**) Term: **14 Years**

Primary Examiner—Joel Sincavage
(74) *Attorney, Agent, or Firm*—Burns, Doane, Swecker & Mathis LLP

(21) Appl. No.: **29/148,033**
(22) Filed: **Sep. 14, 2001**

(57) **CLAIM**
The ornamental design for an audio connector for a PC card, as shown and described.

(51) **LOC (7) Cl.** **13-03**
(52) **U.S. Cl.** **D13/133**
(58) **Field of Search** D13/133; 439/188,
439/668, 669

DESCRIPTION

FIG. 1 is a top perspective view of an audio connector for a PC card according to the present invention;
FIG. 2 is a bottom perspective view of an audio connector for a PC card according to the present invention;
FIG. 3 is a top view thereof;
FIG. 4 is a bottom view thereof;
FIG. 5 is a front view thereof;
FIG. 6 is a back view thereof;
FIG. 7 is a left side view thereof; and,
FIG. 8 is a right side view thereof.

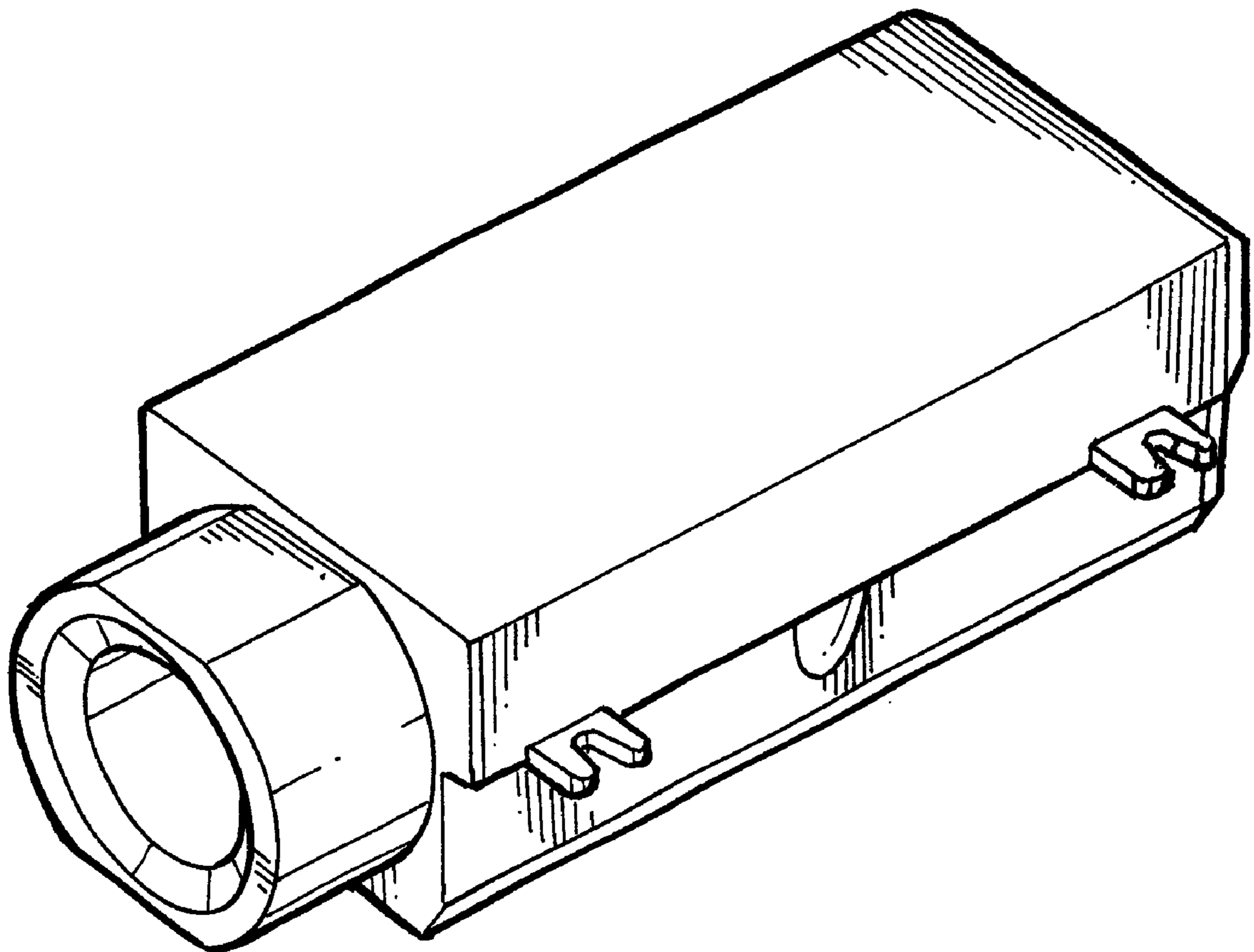
(56) **References Cited**

U.S. PATENT DOCUMENTS

6,077,126	A	*	6/2000	Peng	439/668
6,220,898	B1	*	4/2001	Wu	439/668
6,231,396	B1	*	5/2001	Huang	439/668
6,312,274	B1	*	11/2001	Lin	439/188
6,319,030	B1	*	11/2001	Wu	439/188
D451,472	S	*	12/2001	Suzuki	D13/133

* cited by examiner

1 Claim, 3 Drawing Sheets



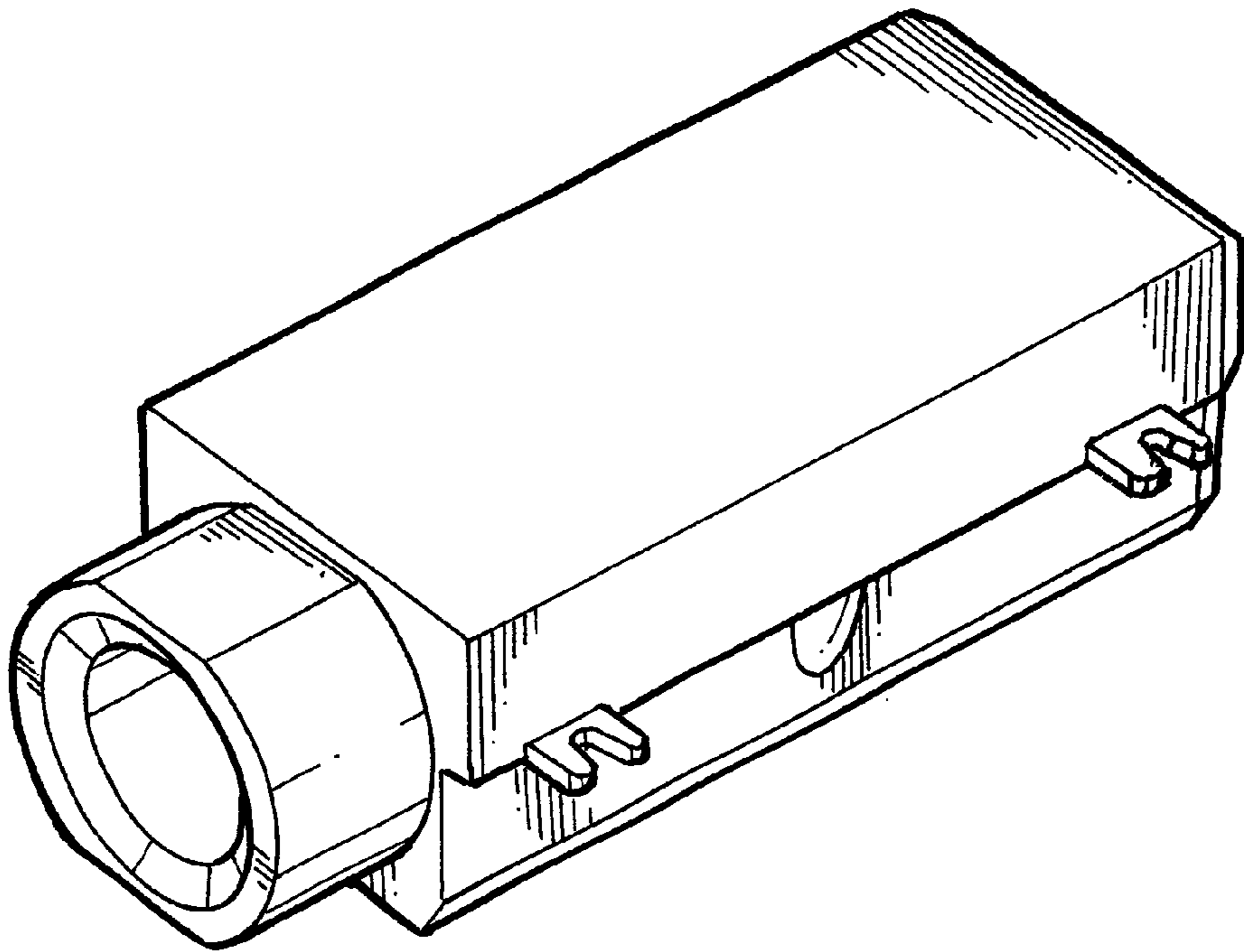


FIG. 1

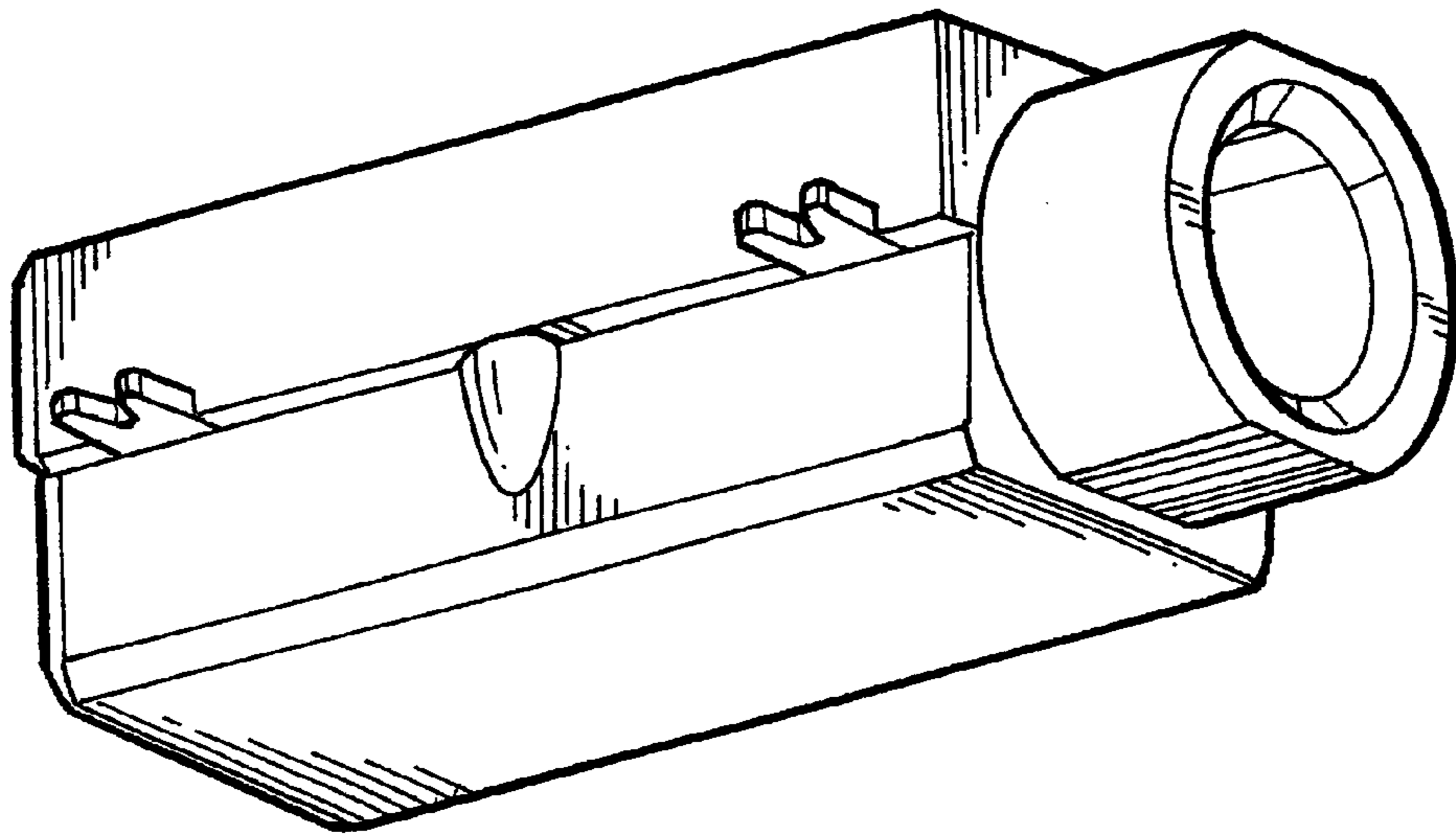


FIG. 2

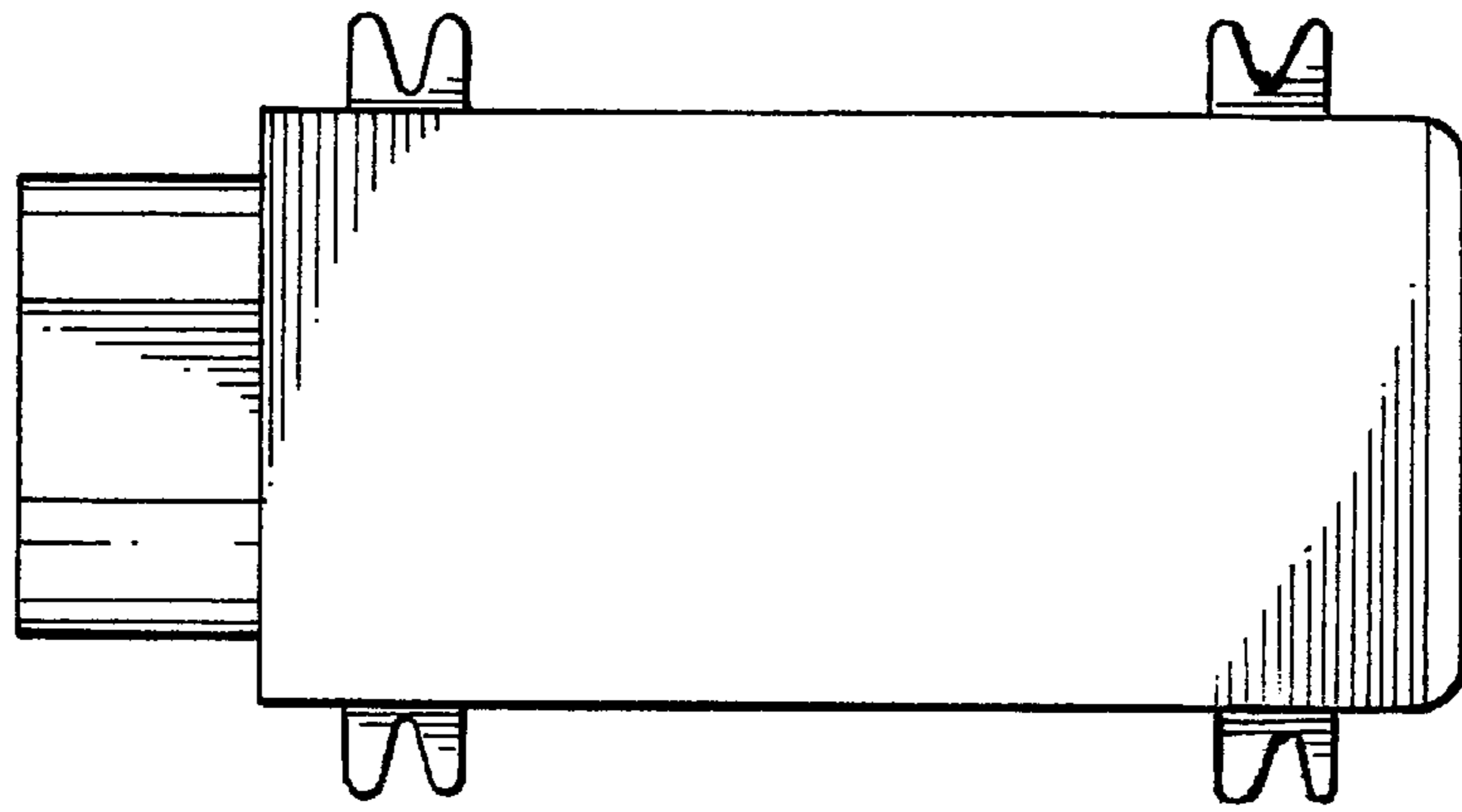


FIG. 3

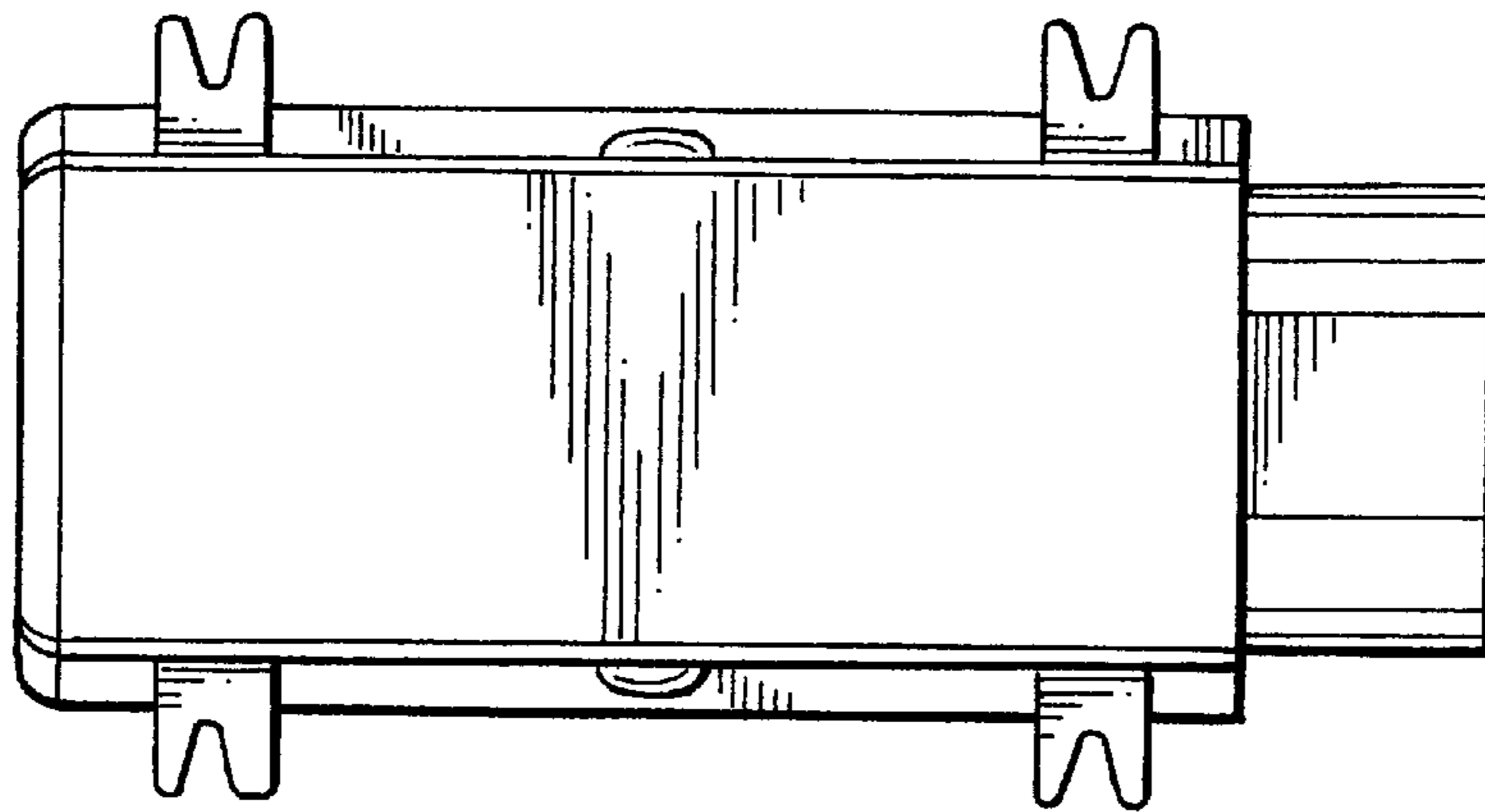


FIG. 4

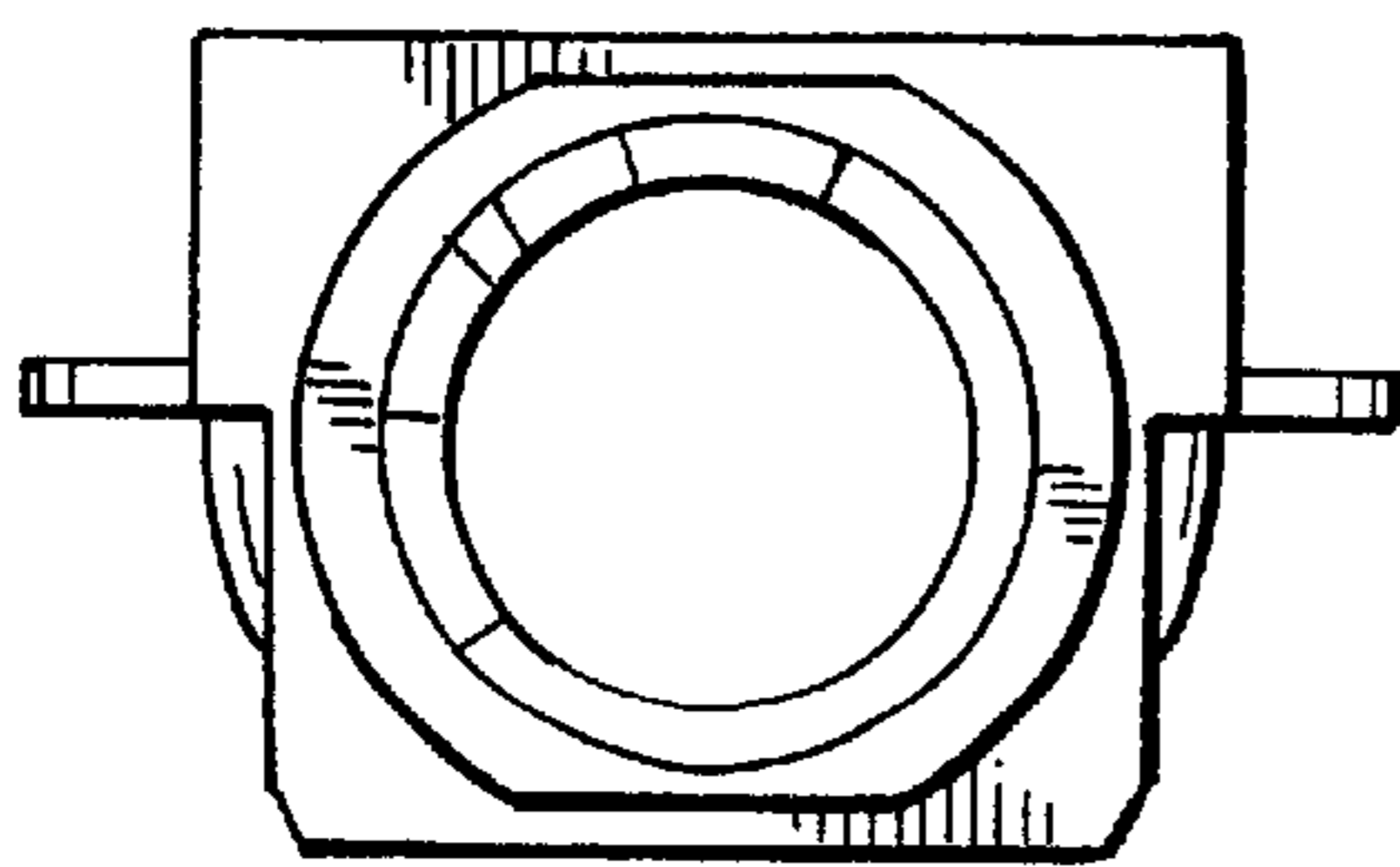


FIG. 5

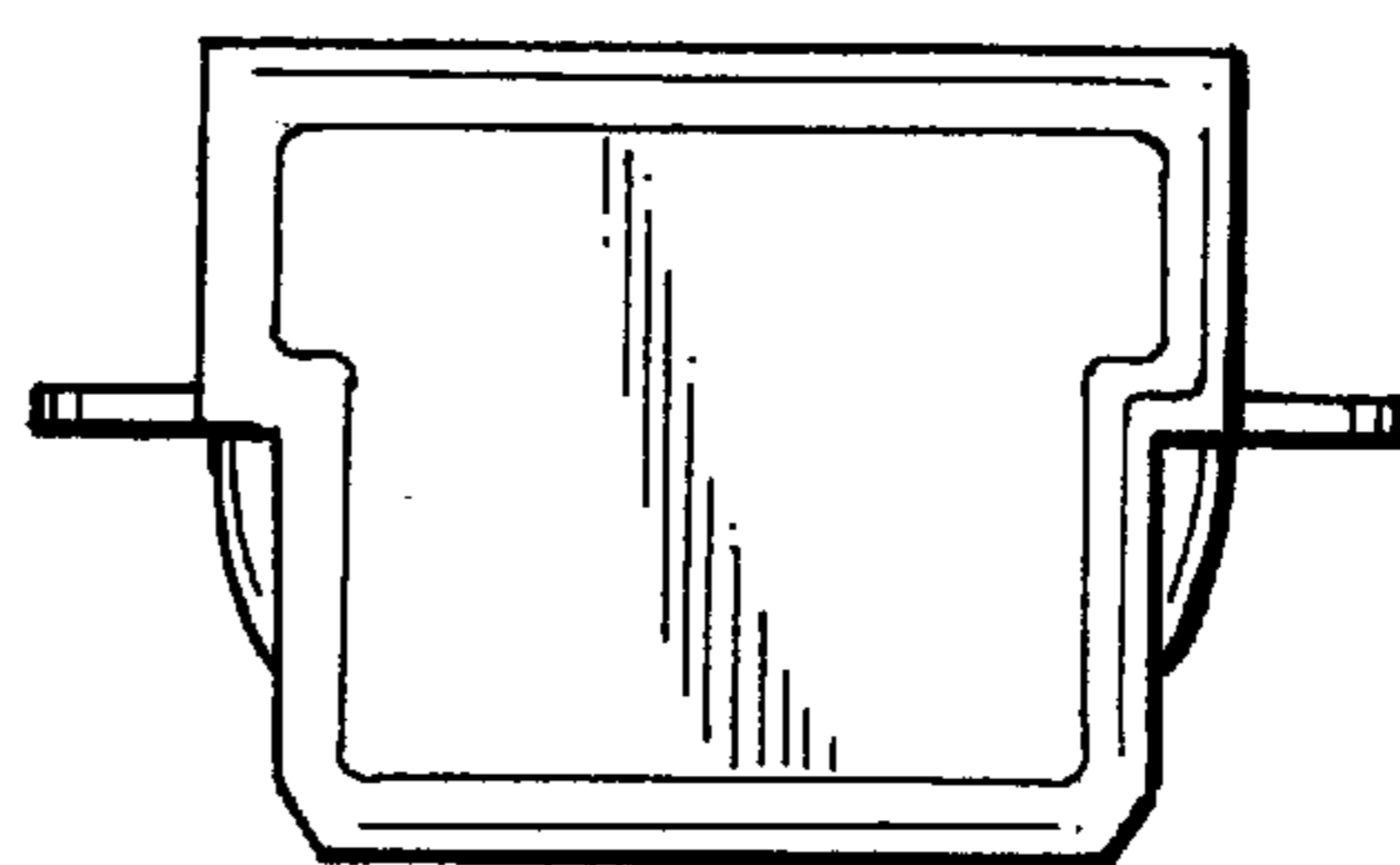


FIG. 6

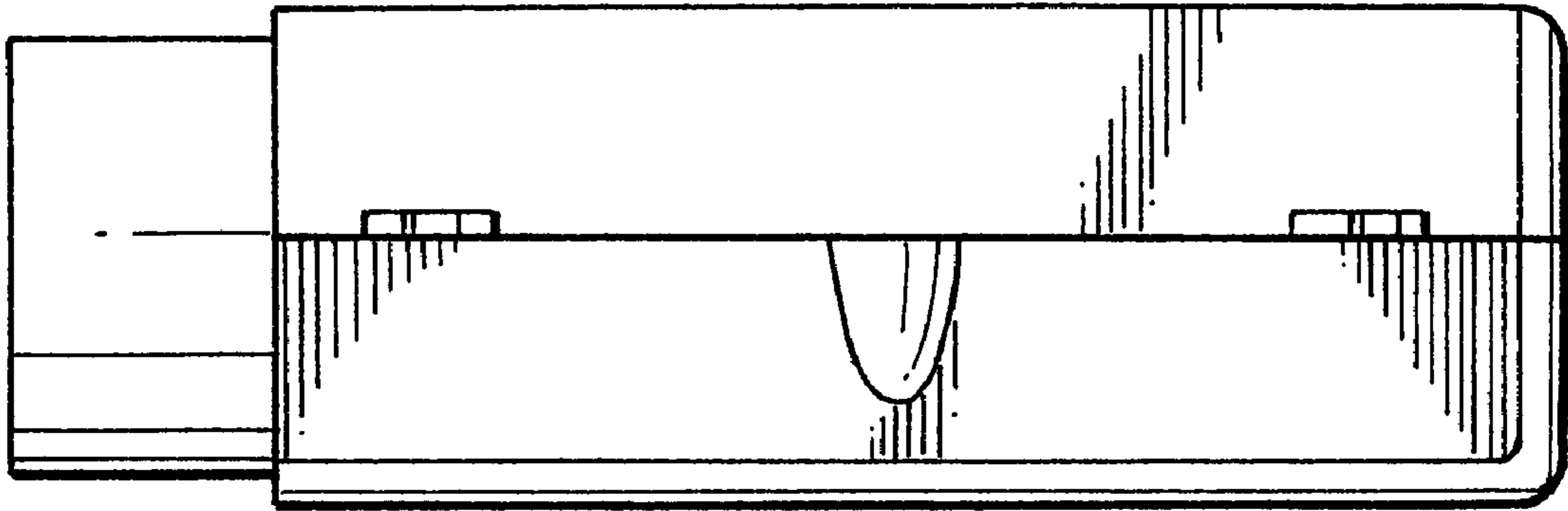


FIG. 7

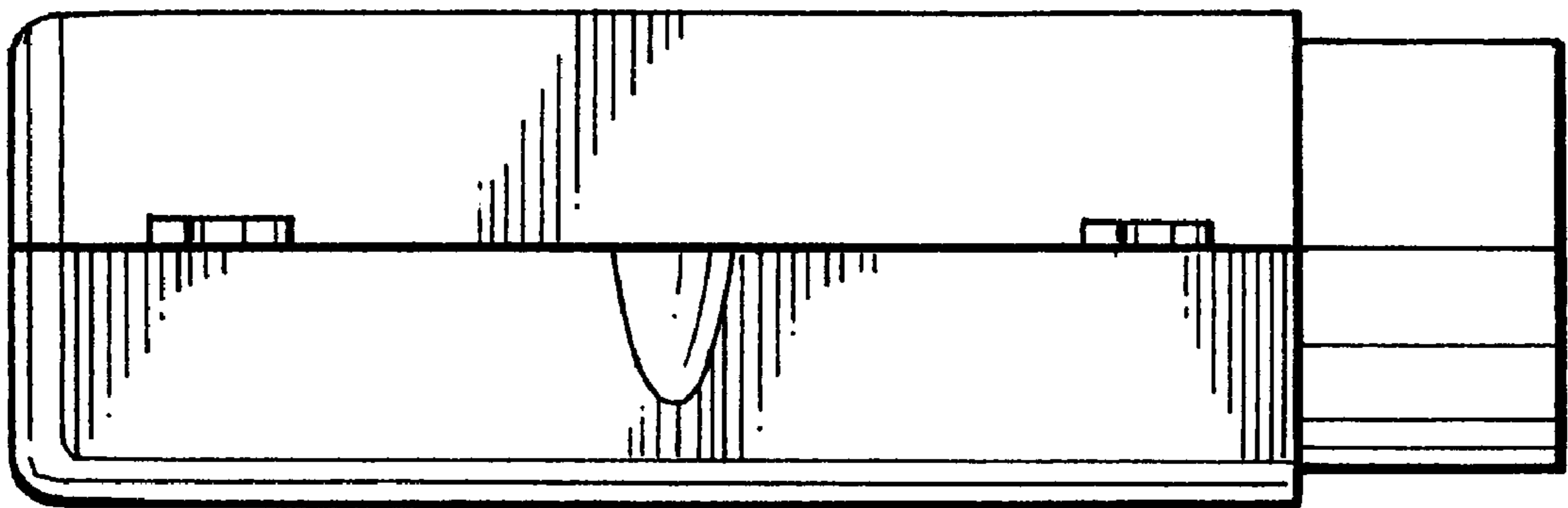


FIG. 8