



US00D459302S

(12) **United States Design Patent**
Malin

(10) **Patent No.:** **US D459,302 S**

(45) **Date of Patent:** **** Jun. 25, 2002**

(54) **GROUNDING CONNECTOR**

(75) Inventor: **Glen K. Malin**, New York, NY (US)

(73) Assignee: **Allied Bolt, Inc.**, Hollis, NY (US)

(**) Term: **14 Years**

(21) Appl. No.: **29/144,885**

(22) Filed: **Jul. 12, 2001**

(51) **LOC (7) Cl.** **13-03**

(52) **U.S. Cl.** **D13/133**

(58) **Field of Search** D13/133; D8/354;
439/92, 95-99, 101, 108, 877, 883; 248/61,
65

(56) **References Cited**

U.S. PATENT DOCUMENTS

1,348,534	A	*	8/1920	Beine	248/61
D251,192	S	*	2/1979	Luca	D13/133
4,325,598	A	*	4/1982	Leonardo	439/98
4,334,726	A	*	6/1982	Kund	439/99
4,973,259	A	*	11/1990	Sachs	439/98
4,993,959	A	*	2/1991	Randolph	439/92
5,681,191	A	*	10/1997	Robicheau et al.	439/877

D409,143 S * 5/1999 Yoshiura D13/133
6,322,376 B1 * 11/2001 Jetton 439/92 X

* cited by examiner

Primary Examiner—Joel Sincavage

(74) *Attorney, Agent, or Firm*—Wolf, Greenfield & Sacks, P.C.

(57) **CLAIM**

The ornamental design for a grounding connector, as shown and described.

DESCRIPTION

FIG. 1 is a perspective view of a grounding connector showing my new invention with a cable and screw not forming a part of the invention shown in dotted outline for orientation purposes;

FIG. 2 is a front elevational view thereof;

FIG. 3 is a left-side elevational view thereof;

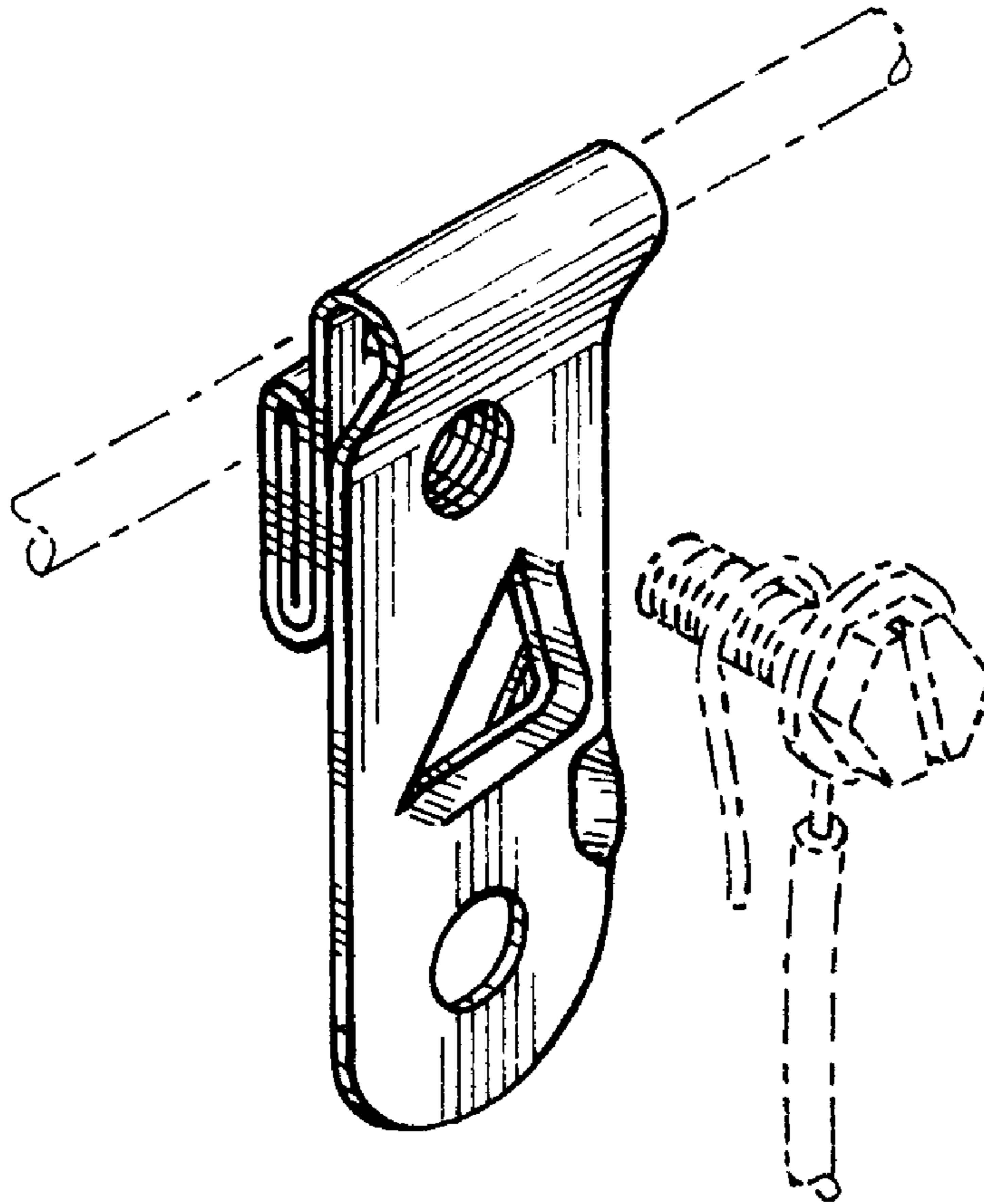
FIG. 4 is a rear-elevational view thereof;

FIG. 5 is a right-side elevational view thereof;

FIG. 6 is a top-plan view thereof; and,

FIG. 7 is a bottom-plan view thereof.

1 Claim, 1 Drawing Sheet



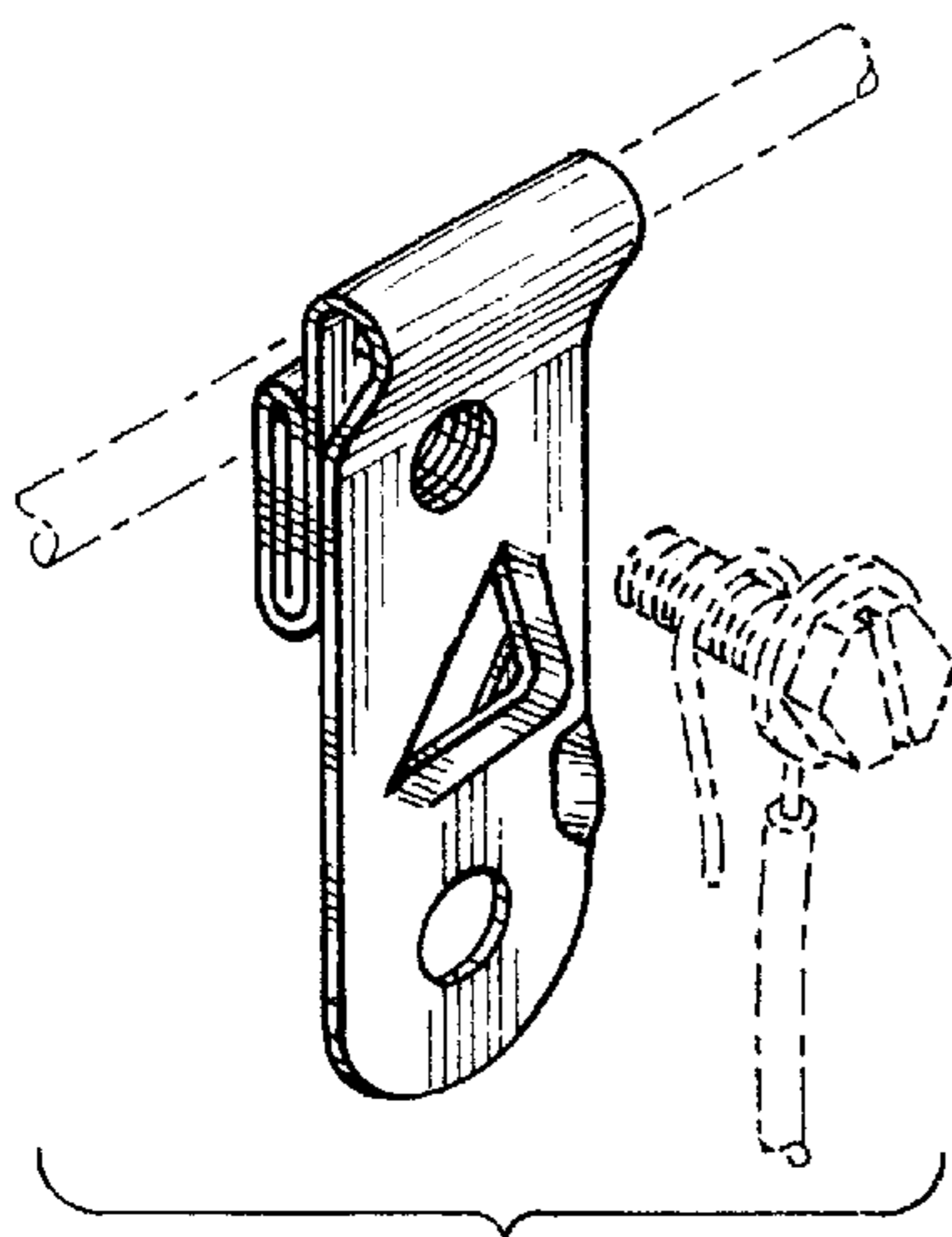


Fig. 1

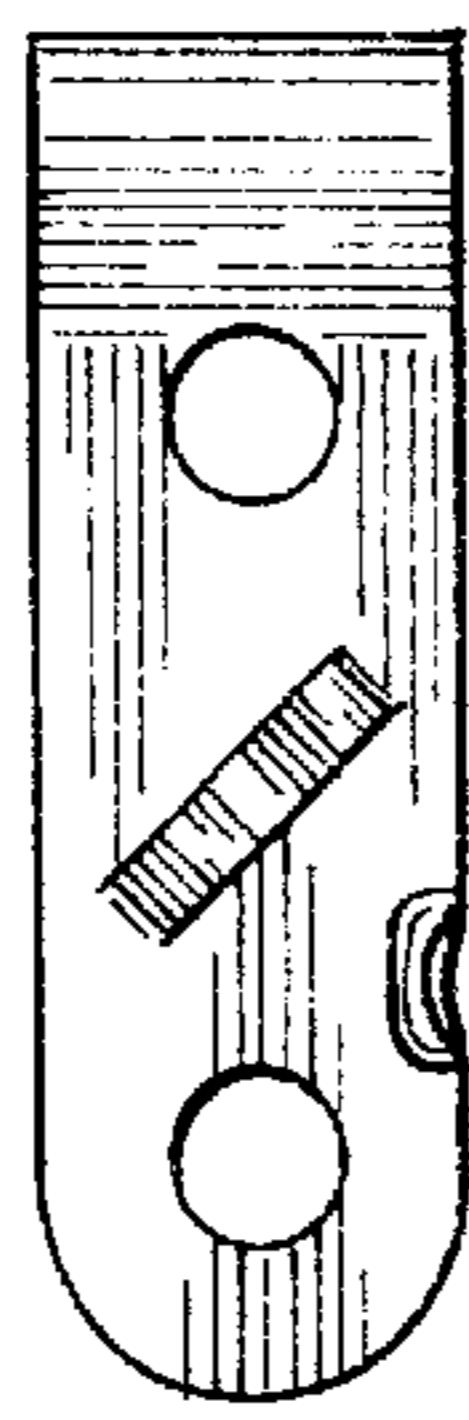


Fig. 2



Fig. 3

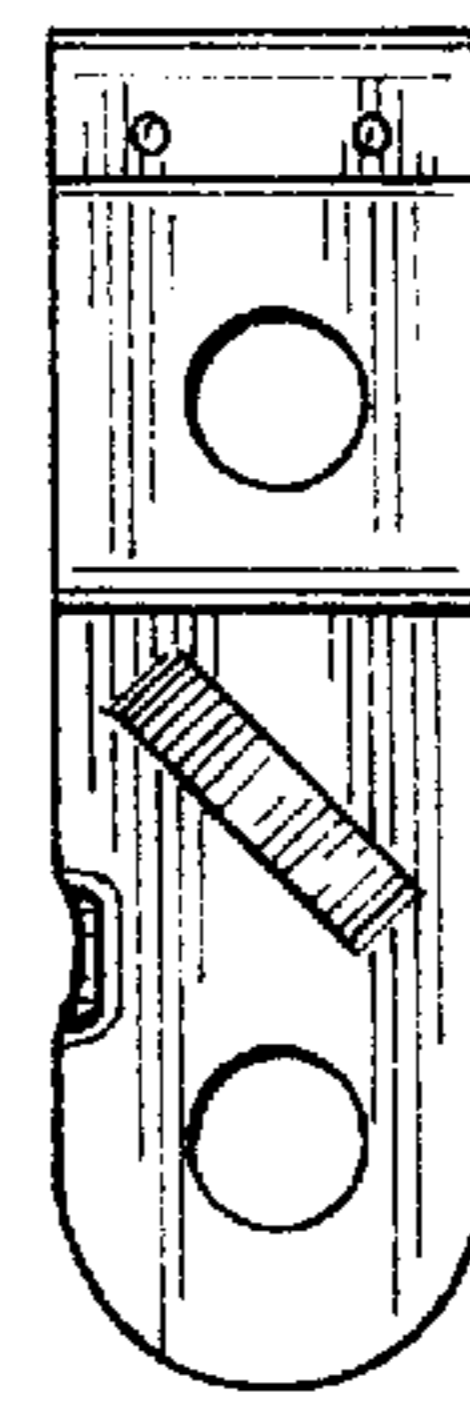


Fig. 4



Fig. 5

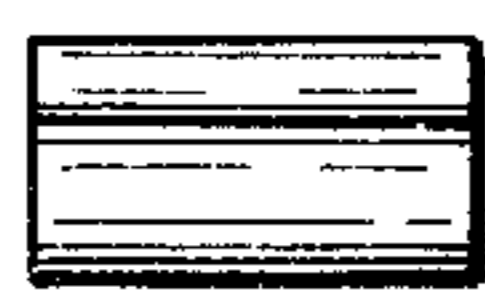


Fig. 6



Fig. 7