



US00D459300S

(12) **United States Design Patent**
Kawanobe et al.

(10) **Patent No.:** **US D459,300 S**
(45) **Date of Patent:** **** Jun. 25, 2002**

(54) **POWER SOURCE CONNECTION ADAPTER**

(75) Inventors: **Naoya Kawanobe; Tsushima Takada;**
Kazuo Yoneyama, all of Kyoto (JP)

(73) Assignee: **Nintendo Co., Ltd. (JP)**

(**) Term: **14 Years**

(21) Appl. No.: **29/151,005**

(22) Filed: **Dec. 4, 2001**

Related U.S. Application Data

(62) Division of application No. 29/144,430, filed on Jul. 3, 2001.

(30) **Foreign Application Priority Data**

Jan. 12, 2001 (JP) 2001-000279
Jan. 12, 2001 (JP) 2001-000278

(51) **LOC (7) Cl.** **13-02**

(52) **U.S. Cl.** **D13/118; D13/110**

(58) **Field of Search** **D13/103, 110,**
D13/118; D21/333; 439/501; 307/150

(56) **References Cited**

U.S. PATENT DOCUMENTS

D361,978 S * 9/1995 Shirai et al. D13/103

D375,932 S * 11/1996 Nagele et al. D13/103
D408,008 S * 4/1999 Richards et al. D13/103
D424,512 S * 5/2000 Ho D13/103
D439,879 S * 4/2001 Rotundo D13/103
D446,497 S * 8/2001 Yu D13/103

* cited by examiner

Primary Examiner—Joel Sincavage

(74) *Attorney, Agent, or Firm*—Nixon & Vanderhye P.C.

(57) **CLAIM**

The ornamental design for a power source connection adapter, as shown and described.

DESCRIPTION

FIG. 1 is a front, right and top perspective view of a power source connection adapter showing our new design;

FIG. 2 is a front elevational view thereof;

FIG. 3 is a rear elevational view thereof;

FIG. 4 is a top plan view thereof;

FIG. 5 is a bottom plan view thereof;

FIG. 6 is a left side view thereof; and,

FIG. 7 is a right side view thereof.

1 Claim, 4 Drawing Sheets

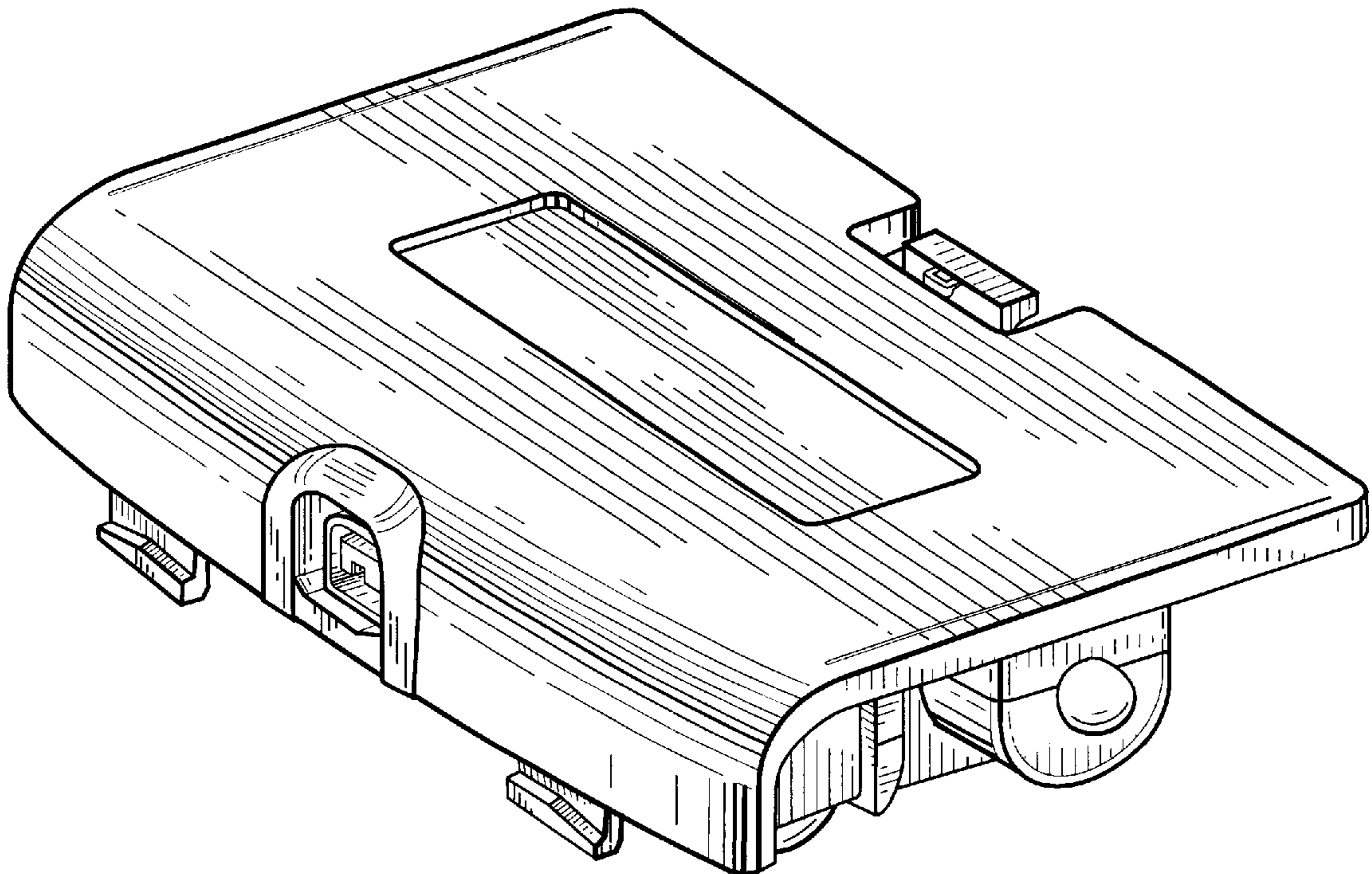


FIG. 1

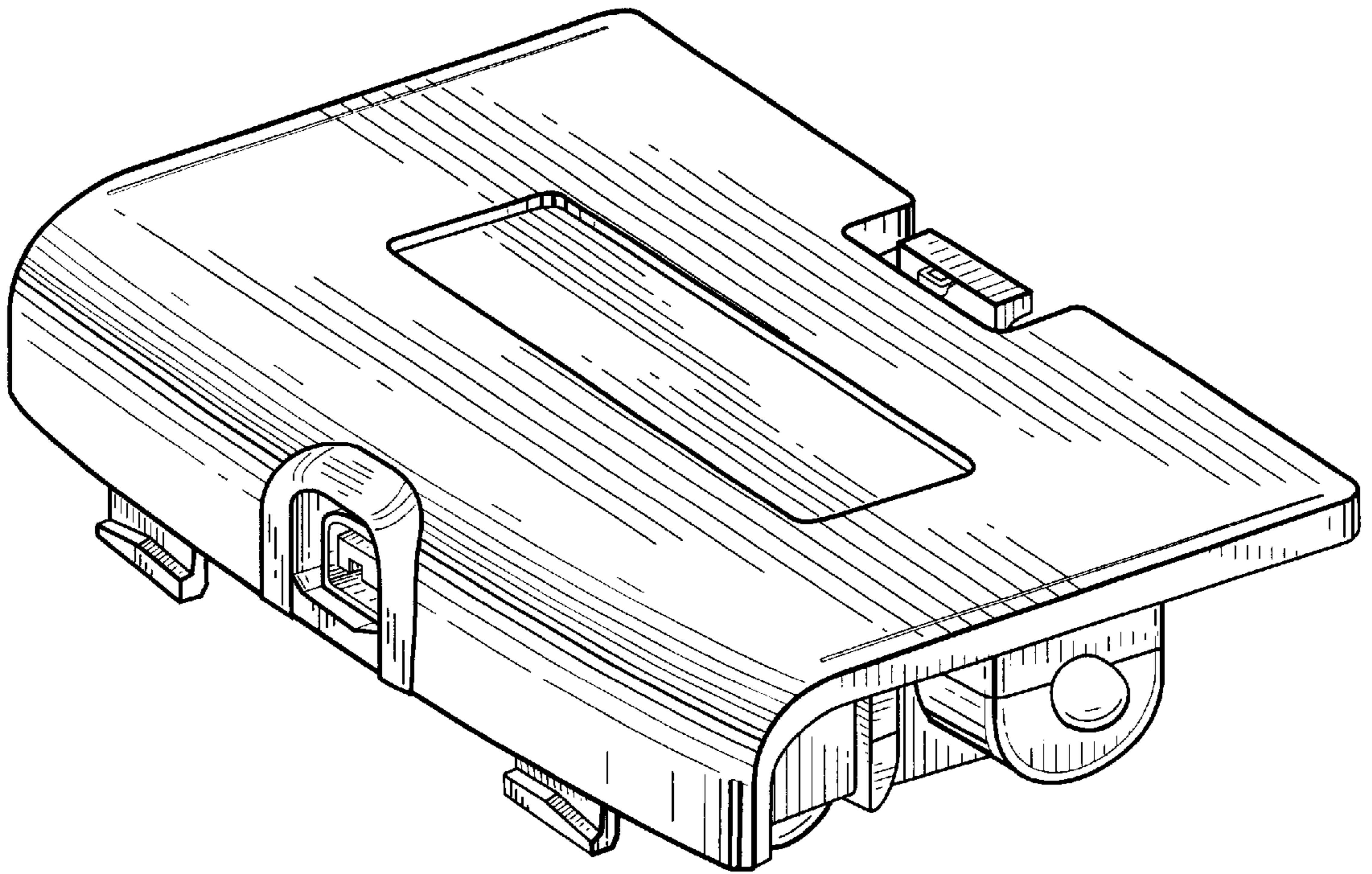


FIG. 2

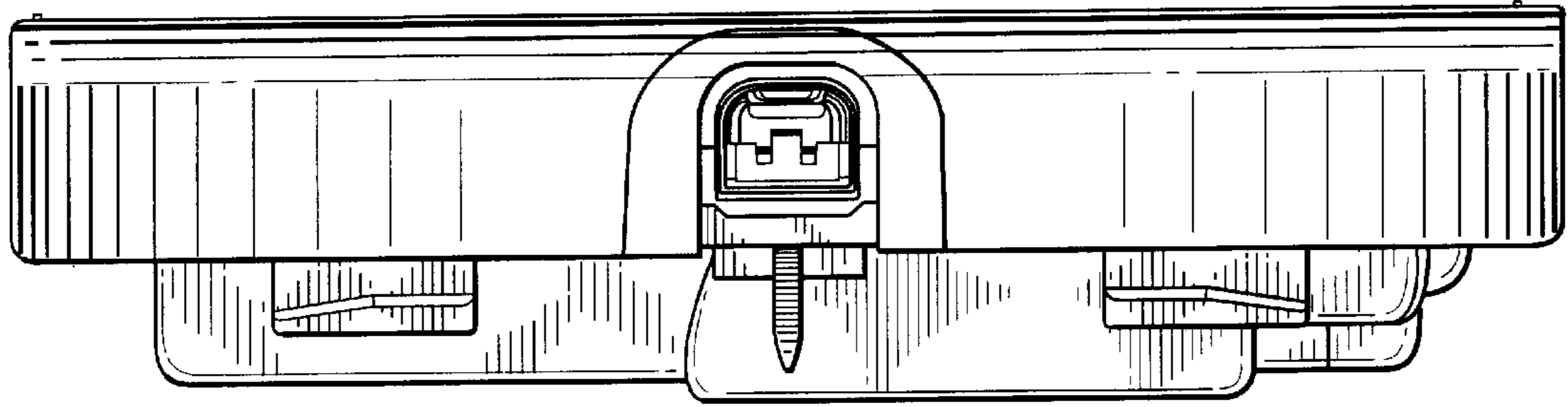


FIG. 3

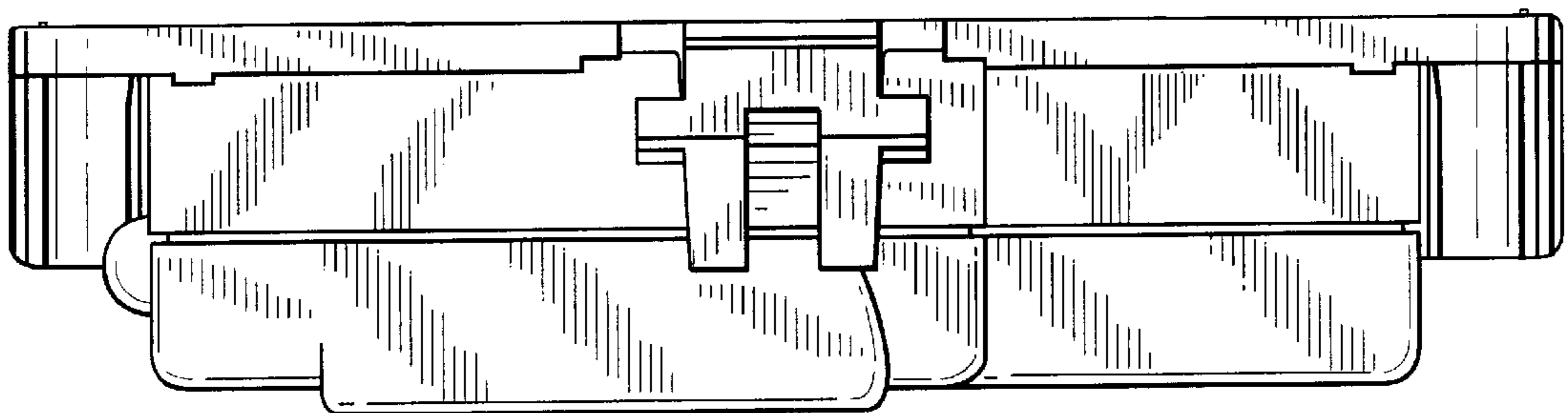


FIG. 4

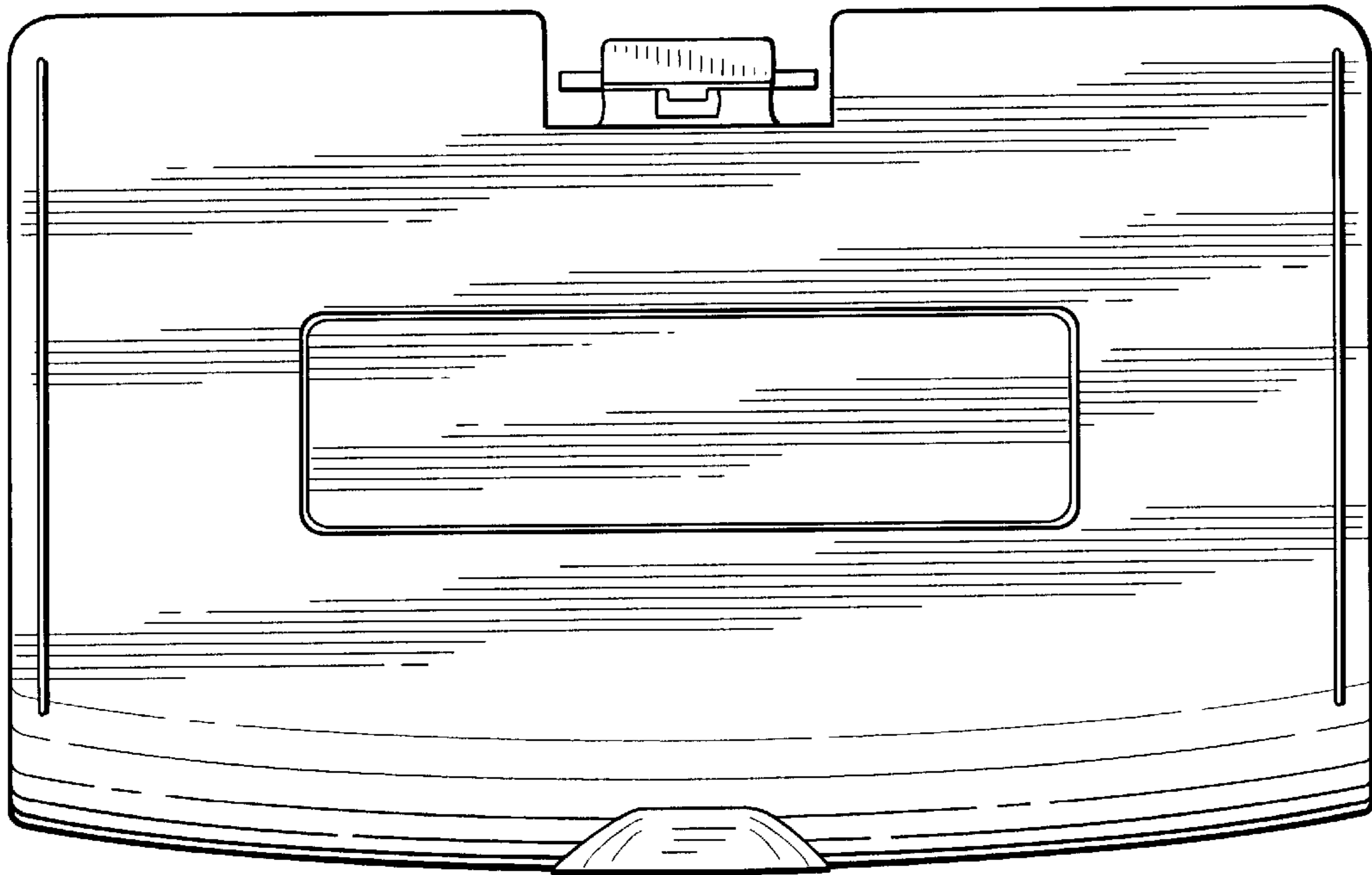
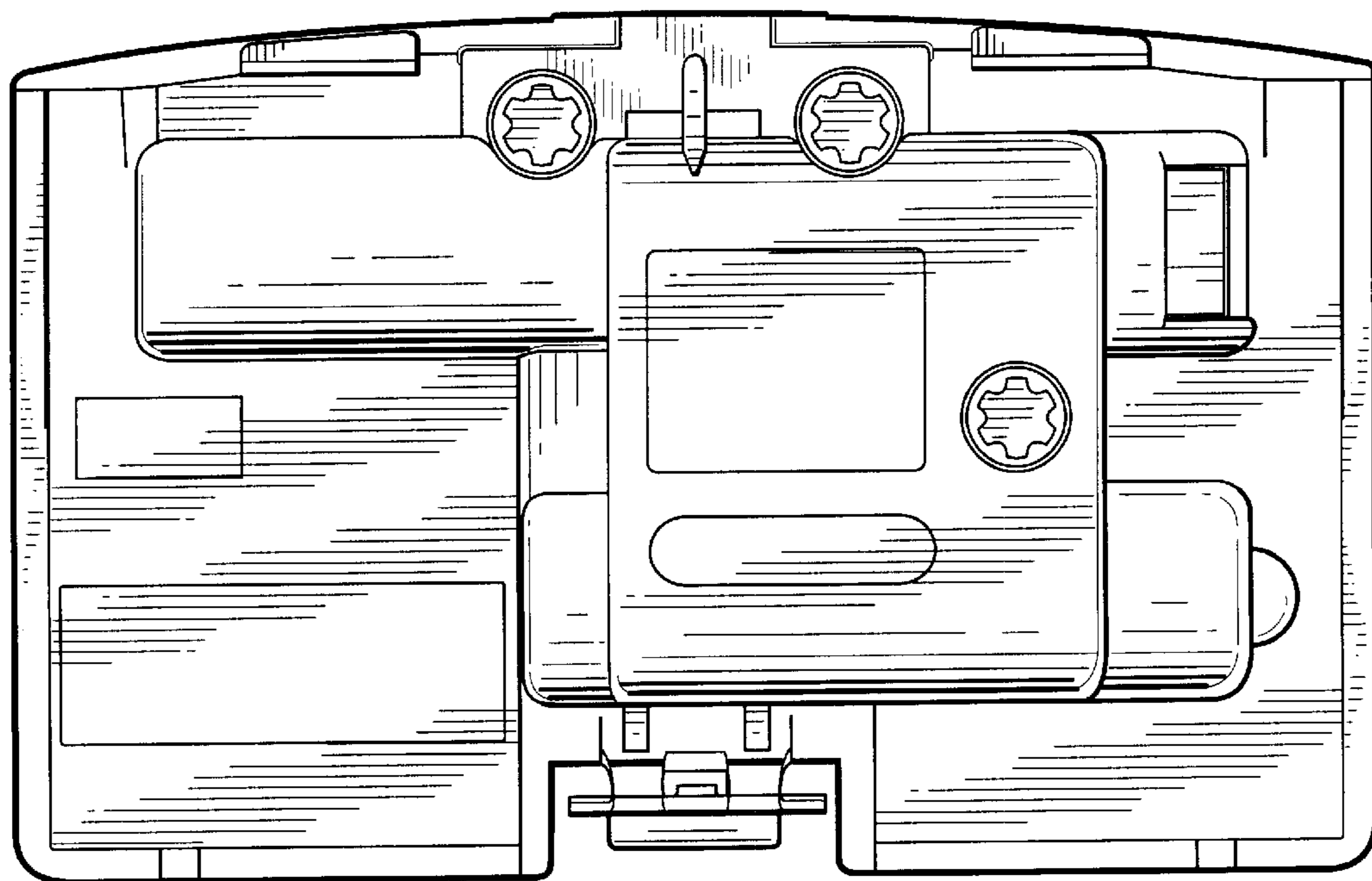


FIG. 5



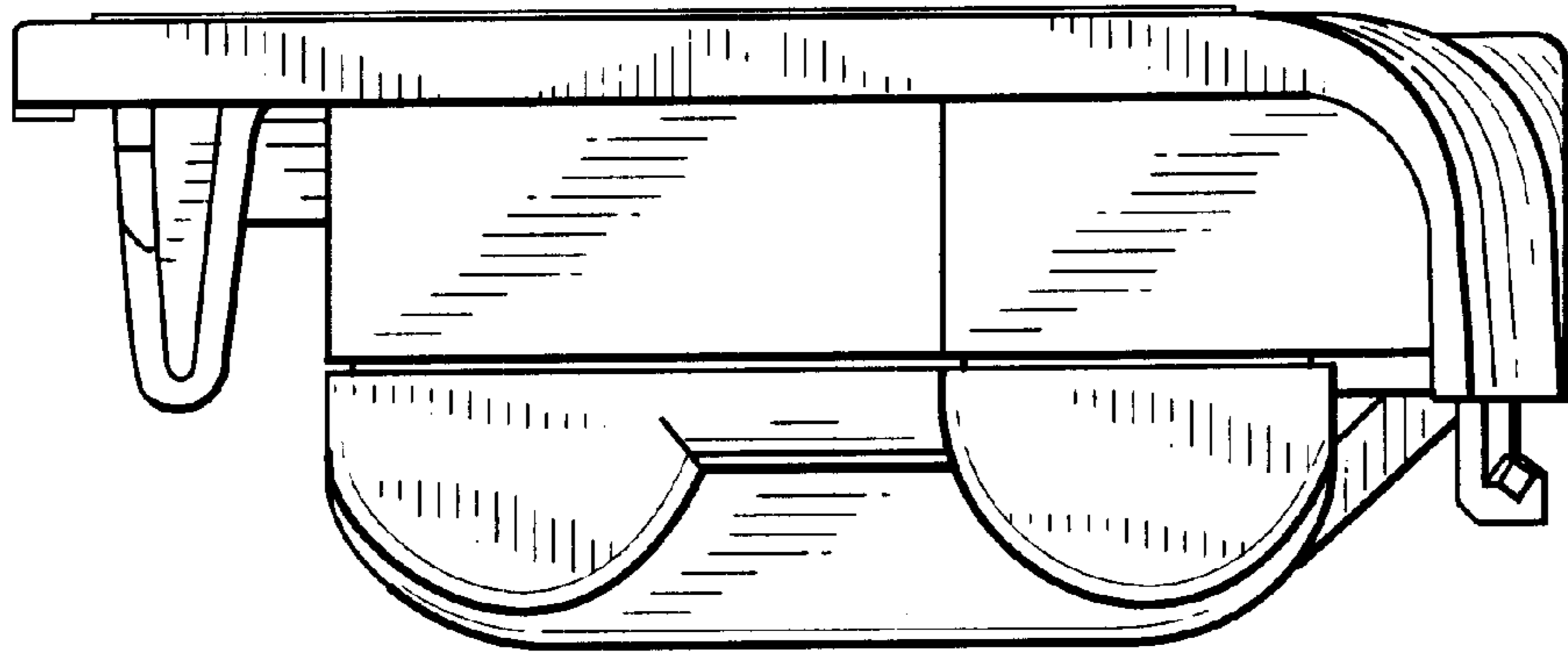


FIG. 6

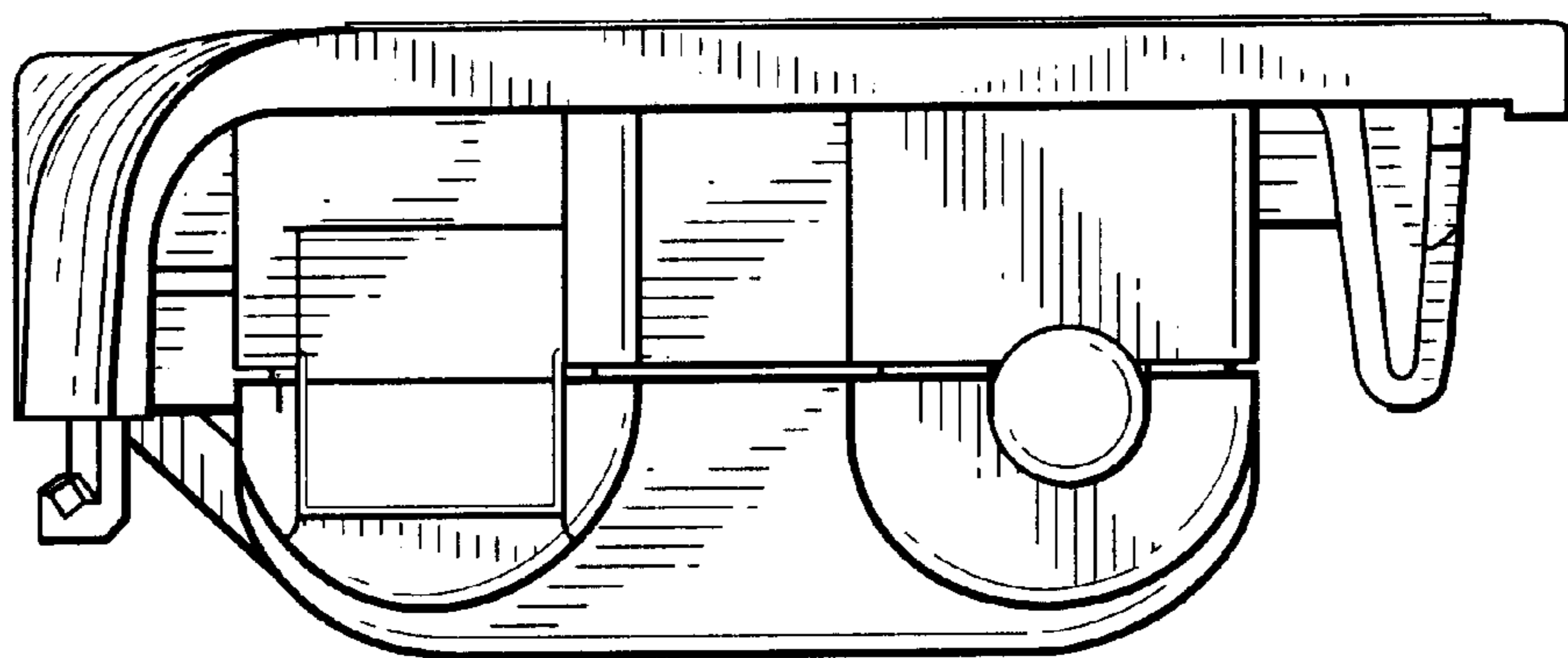


FIG. 7