



US00D459299S

(12) **United States Design Patent**
Hughes et al.

(10) **Patent No.:** **US D459,299 S**

(45) **Date of Patent:** **** *Jun. 25, 2002**

(54) **TELEPHONE CHARGING UNIT MODULE**

(75) Inventors: **Steve Hughes**, Horsham; **Stascha Offenback**, London, both of (GB); **Rie Isono**, Yokohama (JP)

(73) Assignee: **Swatch AG (Swatch SA) (Swatch Ltd.)**, Bienne (CH)

(*) Notice: This patent is subject to a terminal disclaimer.

(**) Term: **14 Years**

(21) Appl. No.: **29/108,360**

(22) Filed: **Jul. 26, 1999**

Related U.S. Application Data

(62) Division of application No. 29/086,643, filed on Apr. 16, 1998, now Pat. No. Des. 416,016.

(30) **Foreign Application Priority Data**

Nov. 25, 1997 (XH) DM/042 101

(51) **LOC (7) Cl.** **13-02**

(52) **U.S. Cl.** **D13/108; D14/253**

(58) **Field of Search** D14/137, 138, D14/148, 147, 149-151, 140-142, 240, 241, 251, 253; 379/433-436, 419, 420, 428, 440, 454, 455, 446, 447; D13/107, 108; 320/110, 113, 114, 115

(56) **References Cited**

U.S. PATENT DOCUMENTS

D275,482 S * 9/1984 Coons et al. D14/253
D277,662 S * 2/1985 Huntington et al. D13/107

D345,728 S	*	4/1994	Tyneski et al.	D13/108
D354,287 S	*	1/1995	Tokiyama	D14/253
D358,821 S	*	5/1995	Hellier et al.	D14/253
D361,979 S	*	9/1995	Shirakawa et al.	D13/108
D368,892 S	*	4/1996	Tanaka	D13/108
D369,344 S	*	4/1996	Lindeman et al.	D13/108
D380,729 S	*	7/1997	Richards et al.	D13/108
D385,252 S	*	10/1997	Snyder et al.	D13/108
D394,423 S	*	5/1998	Nagele et al.	D13/107
D399,244 S	*	10/1998	Coveley	D14/251 X
D402,259 S	*	12/1998	Mason	D13/108
D406,099 S	*	2/1999	Ng et al.	D13/107
D409,563 S	*	5/1999	Haase et al.	D13/107
5,903,133 A	*	5/1999	Amero, Jr. et al.	320/115 X
D411,824 S	*	7/1999	Wilson, Sr. et al.	D13/108
D413,097 S	*	8/1999	Chang	D13/107
D417,430 S	*	12/1999	Ko	D13/107
D419,956 S	*	2/2000	Lucaci et al.	D13/108

* cited by examiner

Primary Examiner—Jeffrey Asch

(74) *Attorney, Agent, or Firm*—Collen Law Associates, P.C.

(57) **CLAIM**

The ornamental design for a telephone charging unit module, as shown and described.

DESCRIPTION

FIG. 1 is a top view of the telephone charging unit module of our new and ornamental design;
FIG. 2 is a bottom view thereof;
FIG. 3 is a front view thereof;
FIG. 4 is a rear view thereof;
FIG. 5 is a left side view thereof;
FIG. 6 is a right side view thereof; and,
FIG. 7 is a top, right, front perspective view thereof.

1 Claim, 4 Drawing Sheets

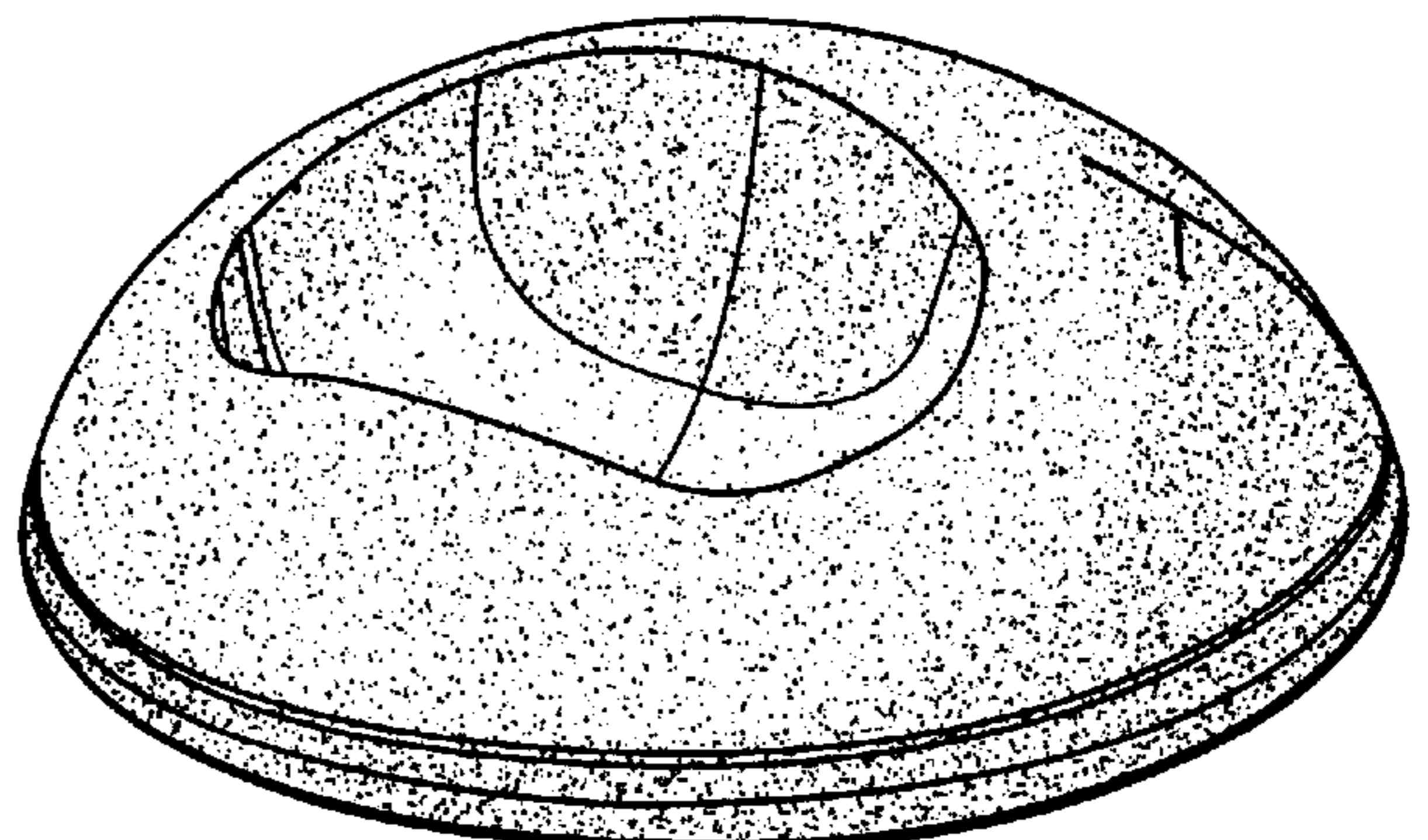
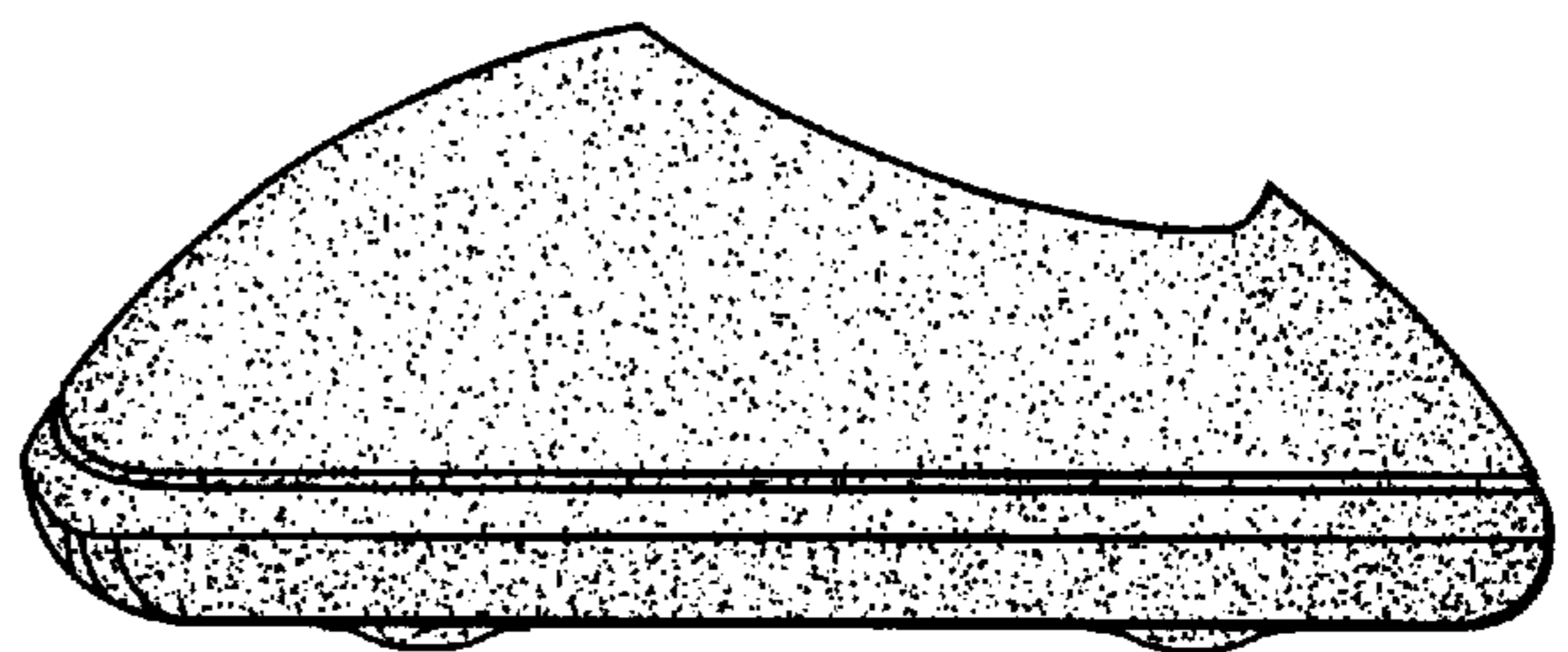
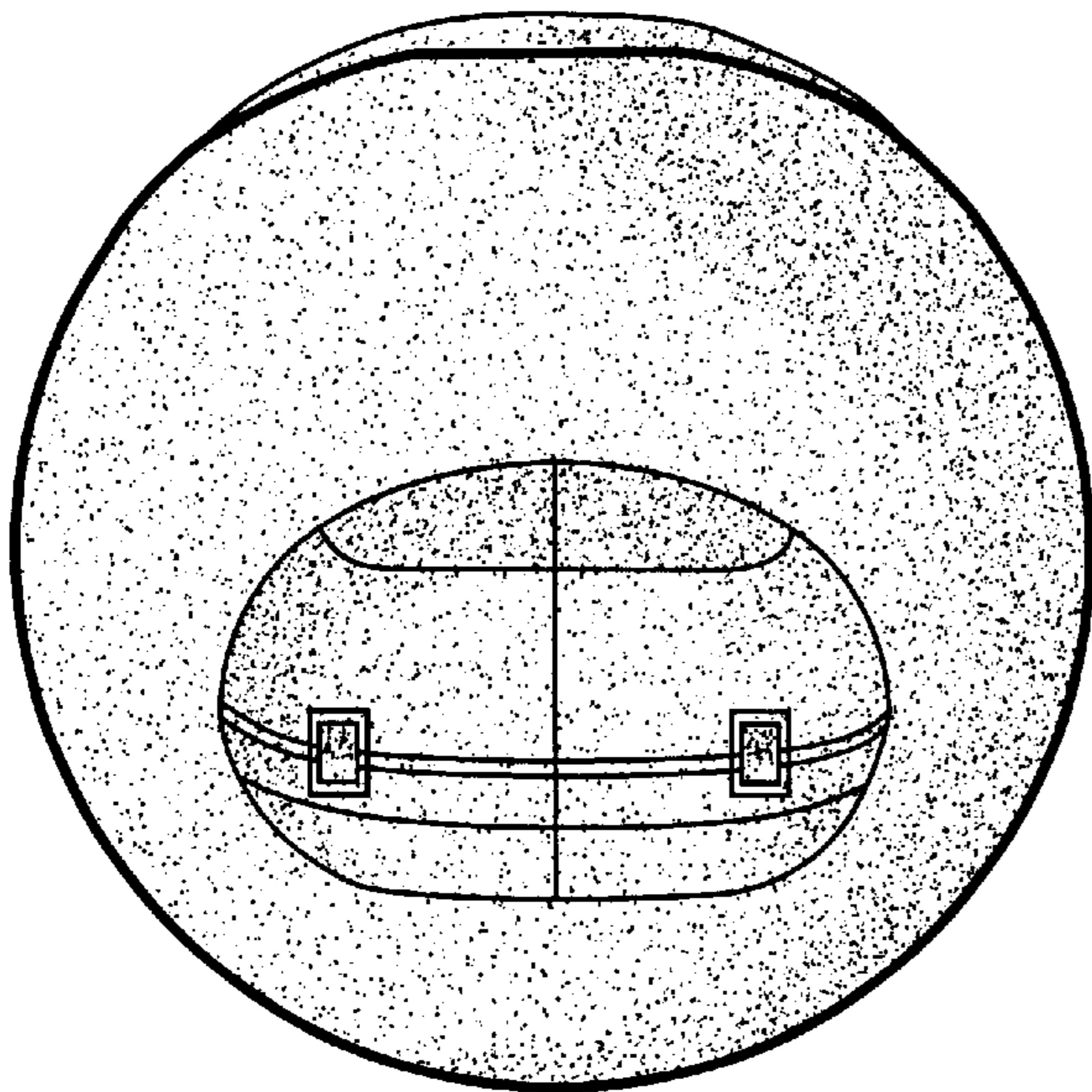


Fig. 1

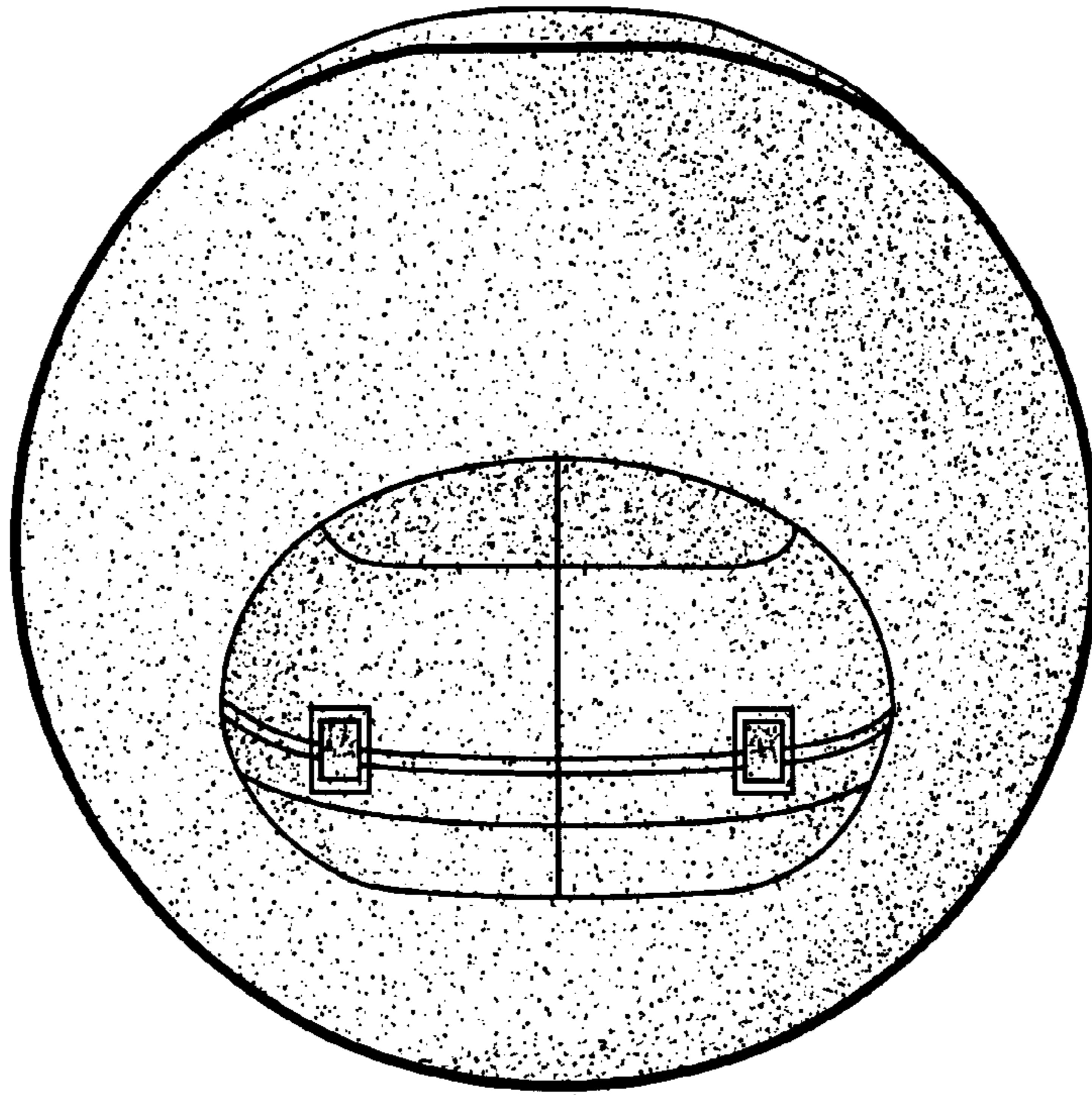


Fig. 2

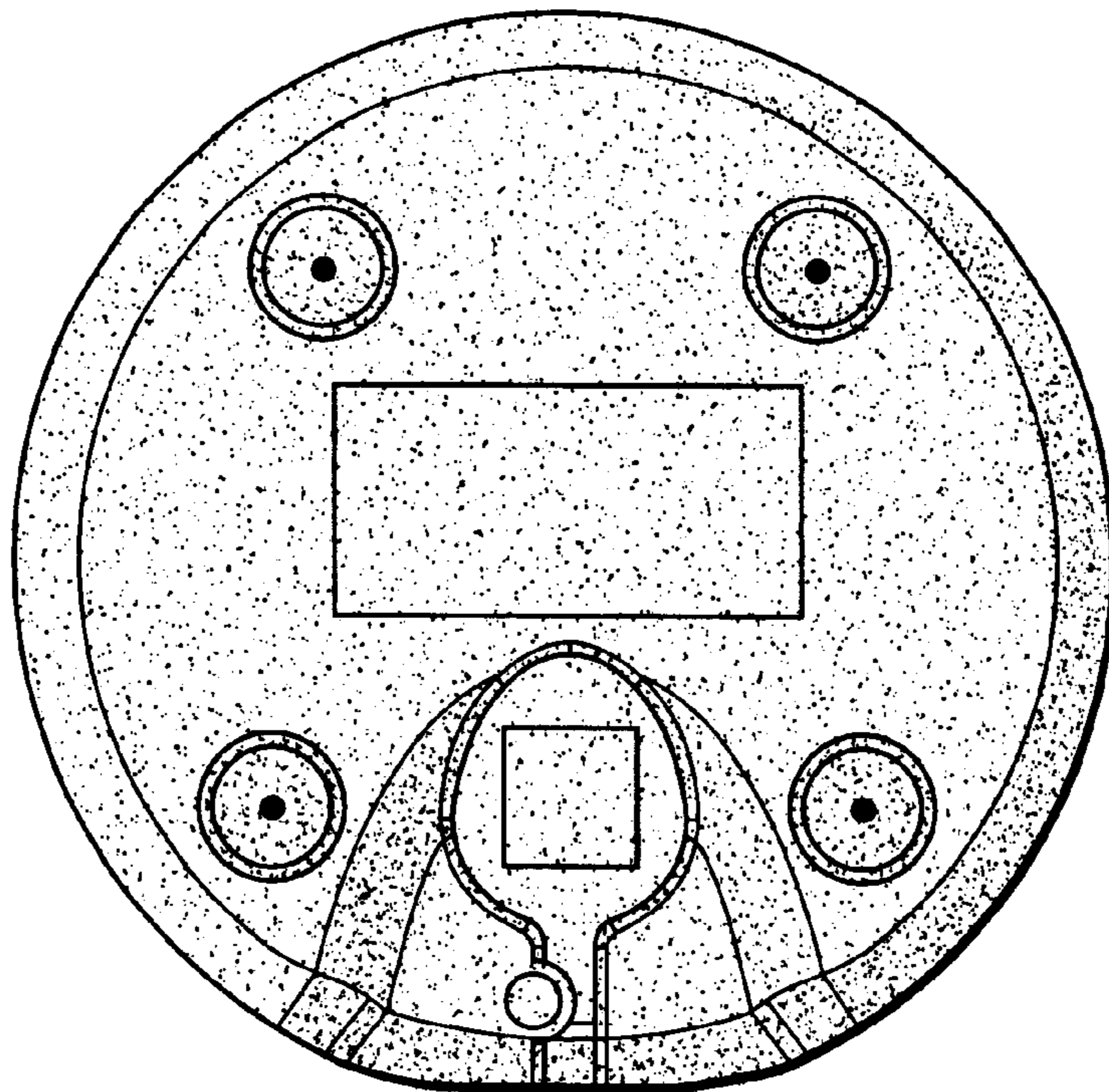


Fig. 3

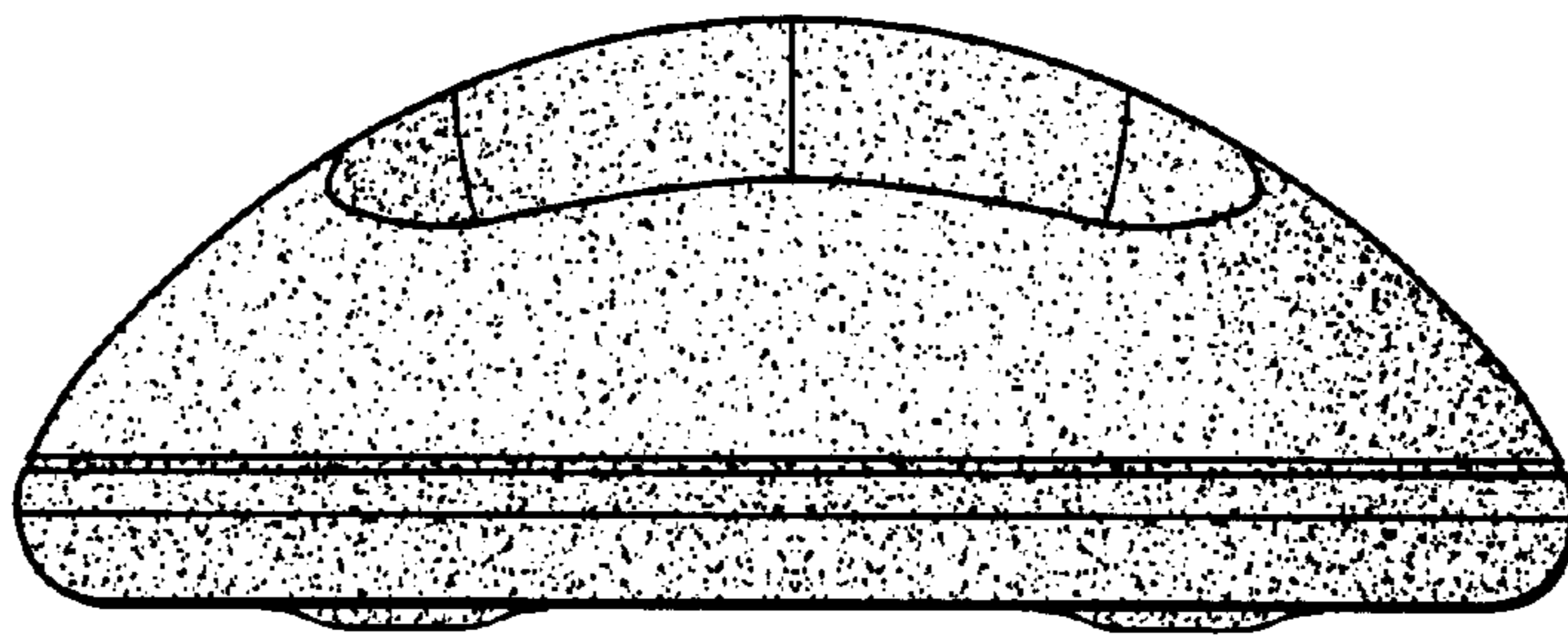


Fig. 4

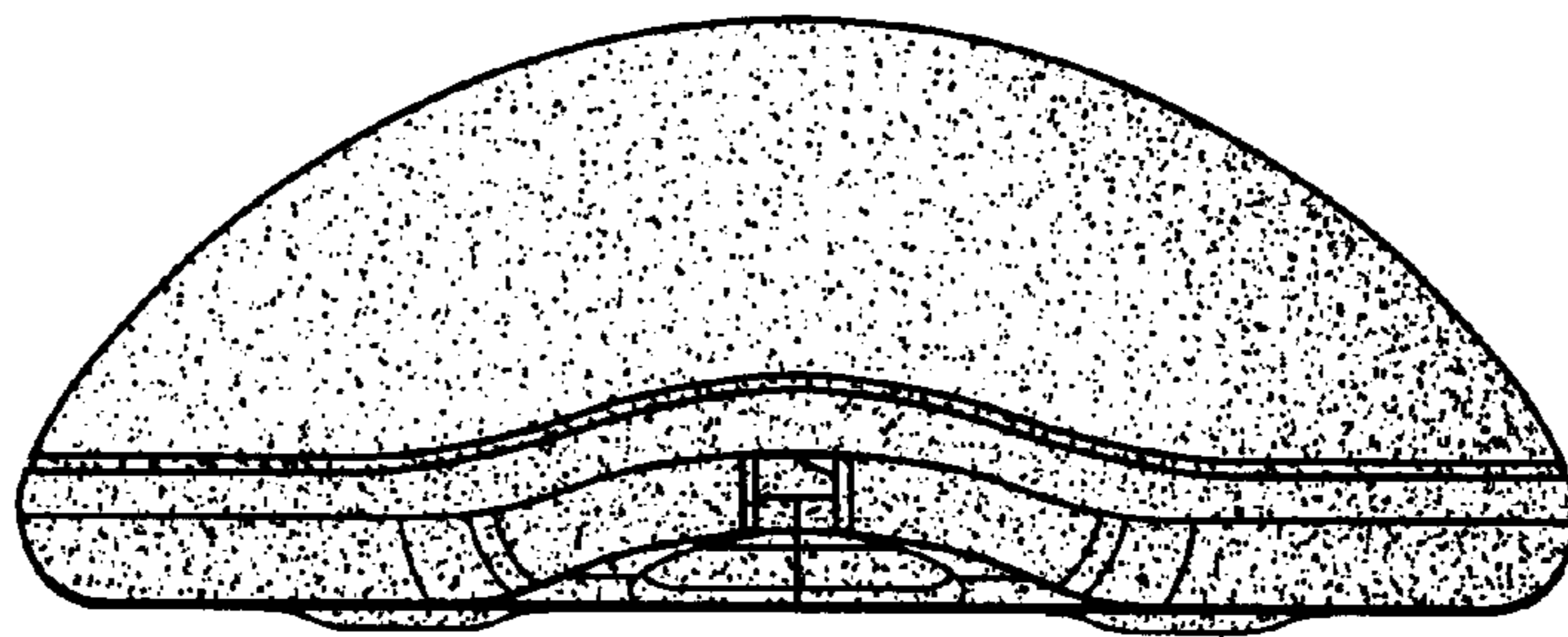


Fig. 5

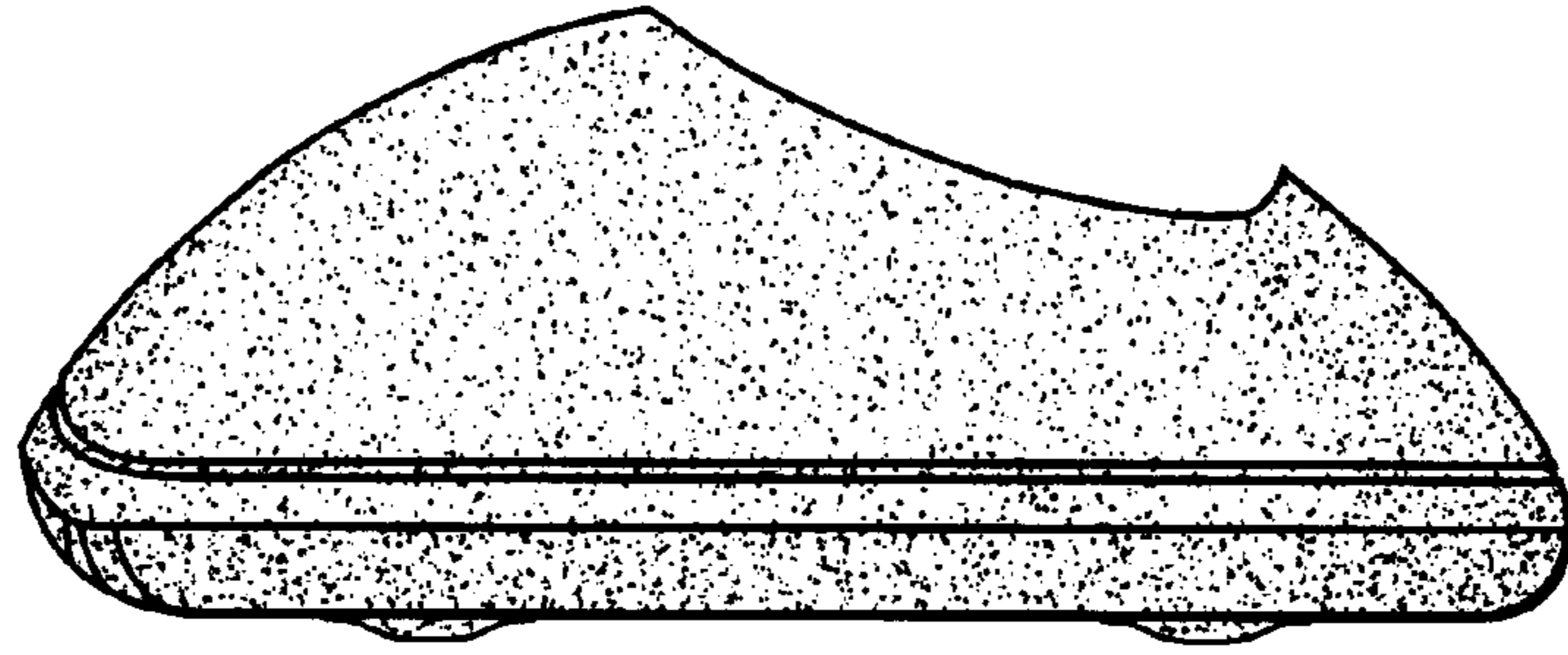


Fig. 6

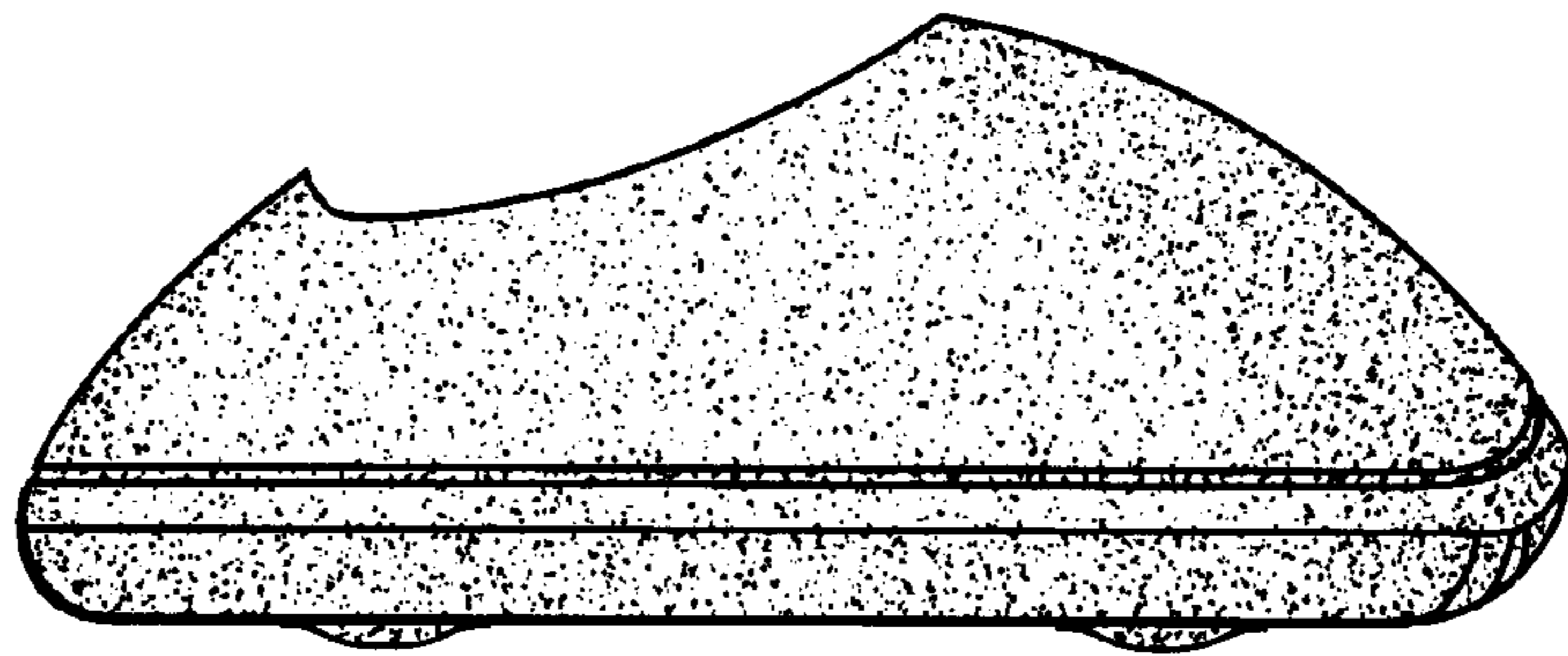


Fig. 7

