



US00D459298S

(12) **United States Design Patent**  
**Locke et al.**

(10) **Patent No.:** **US D459,298 S**  
(45) **Date of Patent:** **\*\* Jun. 25, 2002**

(54) **DEFIBRILLATOR CHARGING PACK**

6,137,261 A 10/2000 Kurle et al.  
D443,584 S \* 6/2001 Breyton ..... D13/103

(75) Inventors: **Kelly Locke**, Woodinville; **Shawn R. Bertagnole**, Lk Stevens; **Richard J. Cardin**, Duvall, all of WA (US)

**FOREIGN PATENT DOCUMENTS**

GB 2044238 \* 6/1995

(73) Assignee: **Medtronic Physio-Control Manufacturing Corp.**, Redmond, WA (US)

\* cited by examiner

(\*\*) Term: **14 Years**

*Primary Examiner*—Joel Sincavage  
(74) *Attorney, Agent, or Firm*—Christensen O'Connor Johnson & Kindness PLLC

(21) Appl. No.: **29/144,299**

(57) **CLAIM**

(22) Filed: **Jun. 29, 2001**

The ornamental design for a defibrillator charging pack, as shown and described.

(51) **LOC (7) Cl.** ..... **13-02**

**DESCRIPTION**

(52) **U.S. Cl.** ..... **D13/103**

(58) **Field of Search** ..... D13/103; 429/96-100, 429/159, 163, 176; 361/683; 607/5

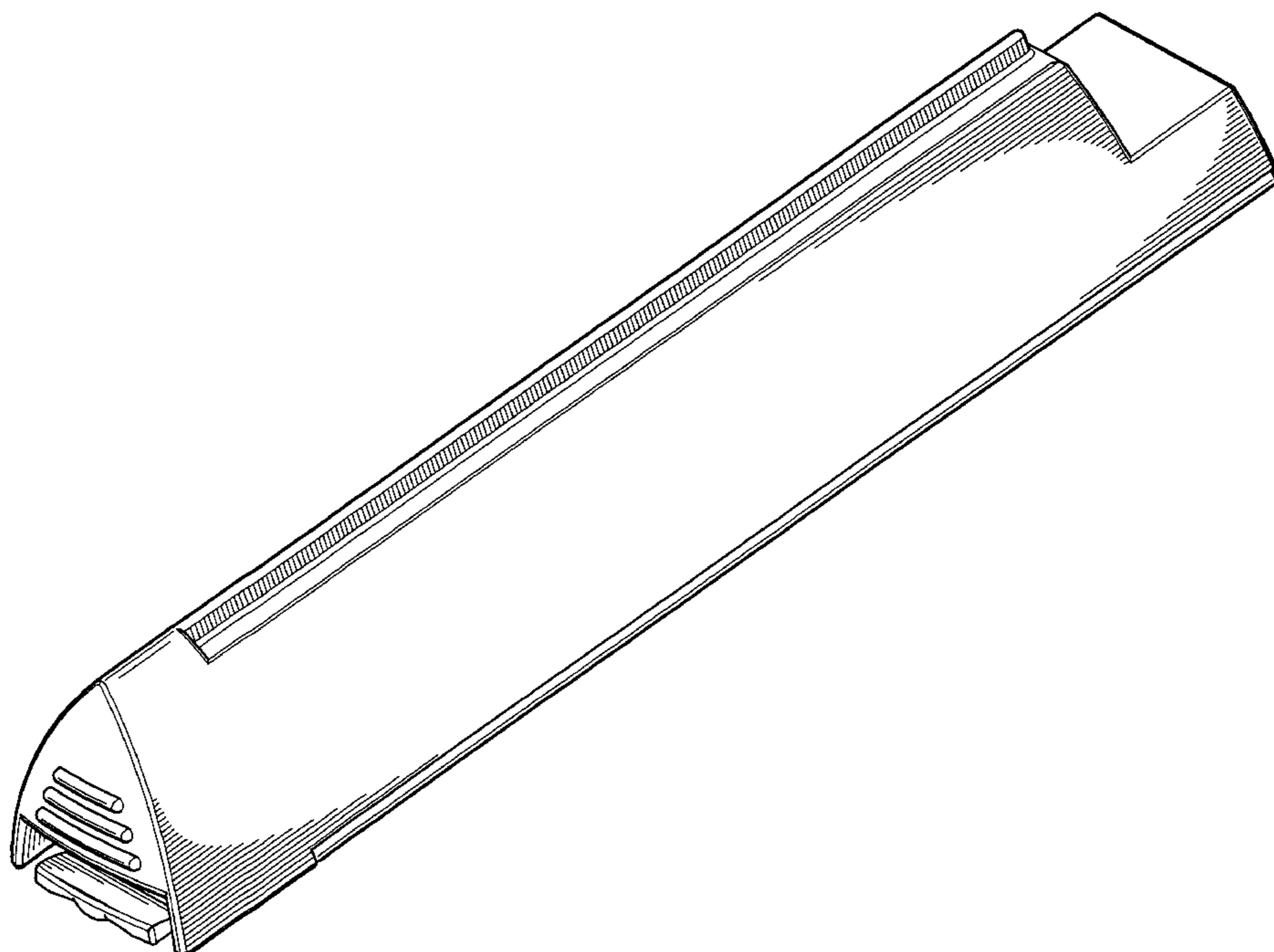
FIG. 1 is a top perspective view of the defibrillator charging pack having our new design;  
FIG. 2 is a bottom perspective view of the defibrillator charging pack of FIG. 1;  
FIG. 3 is a side elevational view of the defibrillator charging pack of FIG. 1, wherein the side elevation view of the defibrillator charging pack taken from the opposite side of FIG. 3 is substantially identical;  
FIG. 4 is a rear elevational view of the defibrillator charging pack of FIG. 1;  
FIG. 5 is a front elevational view of the defibrillator charging pack of FIG. 1;  
FIG. 6 is a top view of the defibrillator charging pack of FIG. 1; and,  
FIG. 7 is a bottom view of the defibrillator charging pack of FIG. 1.

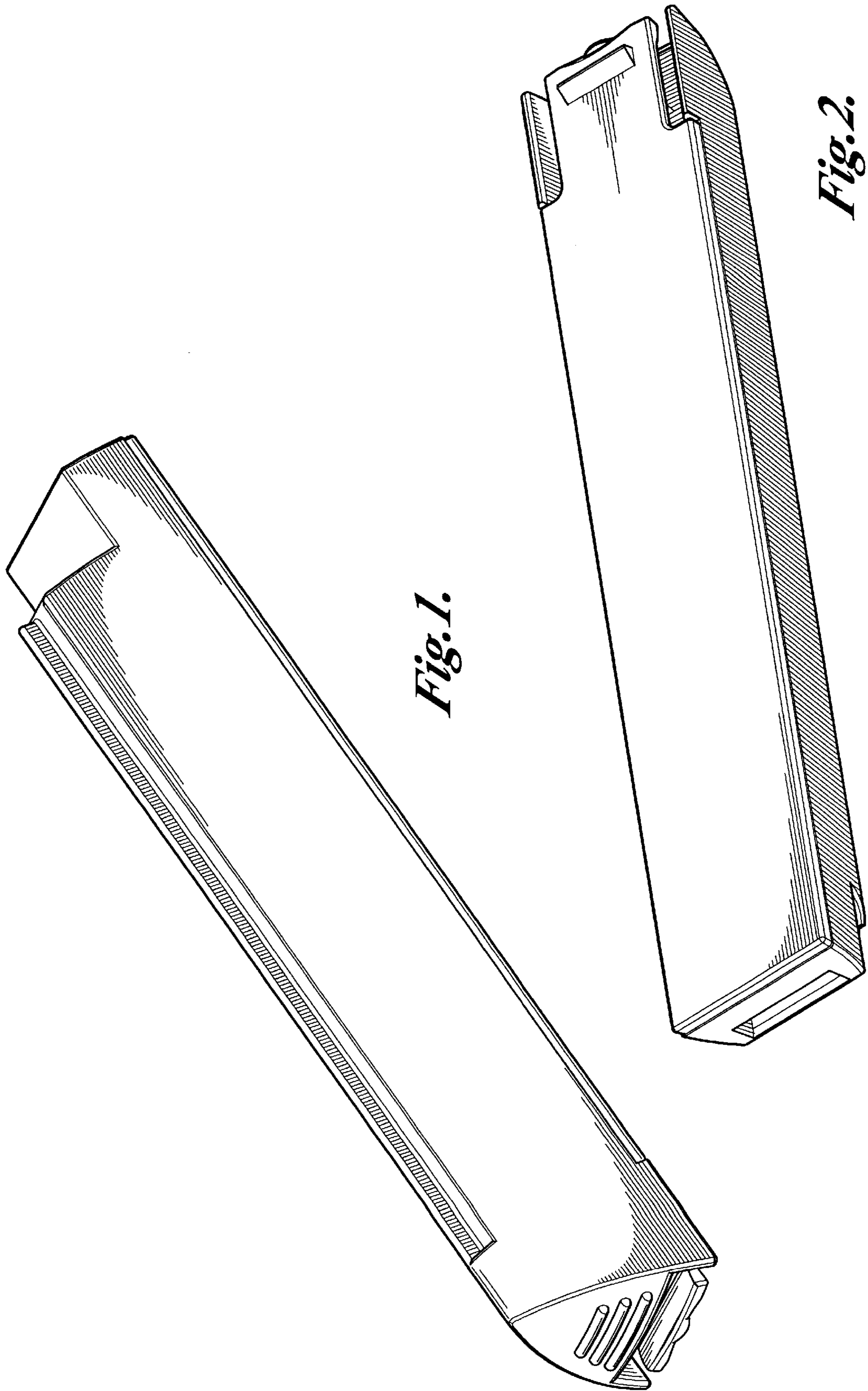
(56) **References Cited**

**U.S. PATENT DOCUMENTS**

4,590,943 A	5/1986	Paull et al.	
D295,739 S	* 5/1988	Lanci et al.	D13/103
5,224,870 A	7/1993	Weaver et al.	
D349,483 S	8/1994	Weaver et al.	
D349,681 S	* 8/1994	Siddoway et al.	D13/103
5,350,317 A	9/1994	Weaver et al.	
5,466,244 A	* 11/1995	Morgan	607/5
5,741,305 A	4/1998	Vincent et al.	
5,868,790 A	* 2/1999	Vincent et al.	607/5
5,868,794 A	* 2/1999	Barkley et al.	607/5
6,038,473 A	* 3/2000	Olson et al.	607/5
6,072,299 A	6/2000	Kurle et al.	
6,127,063 A	10/2000	Kowalsky et al.	

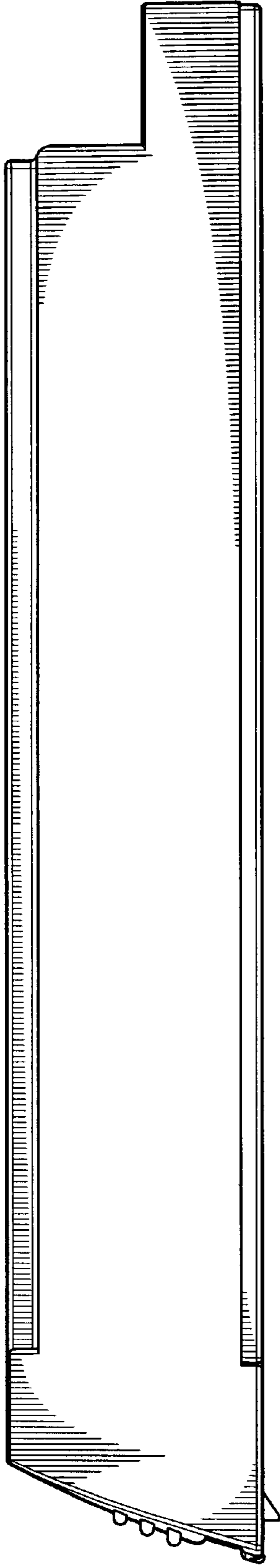
**1 Claim, 3 Drawing Sheets**



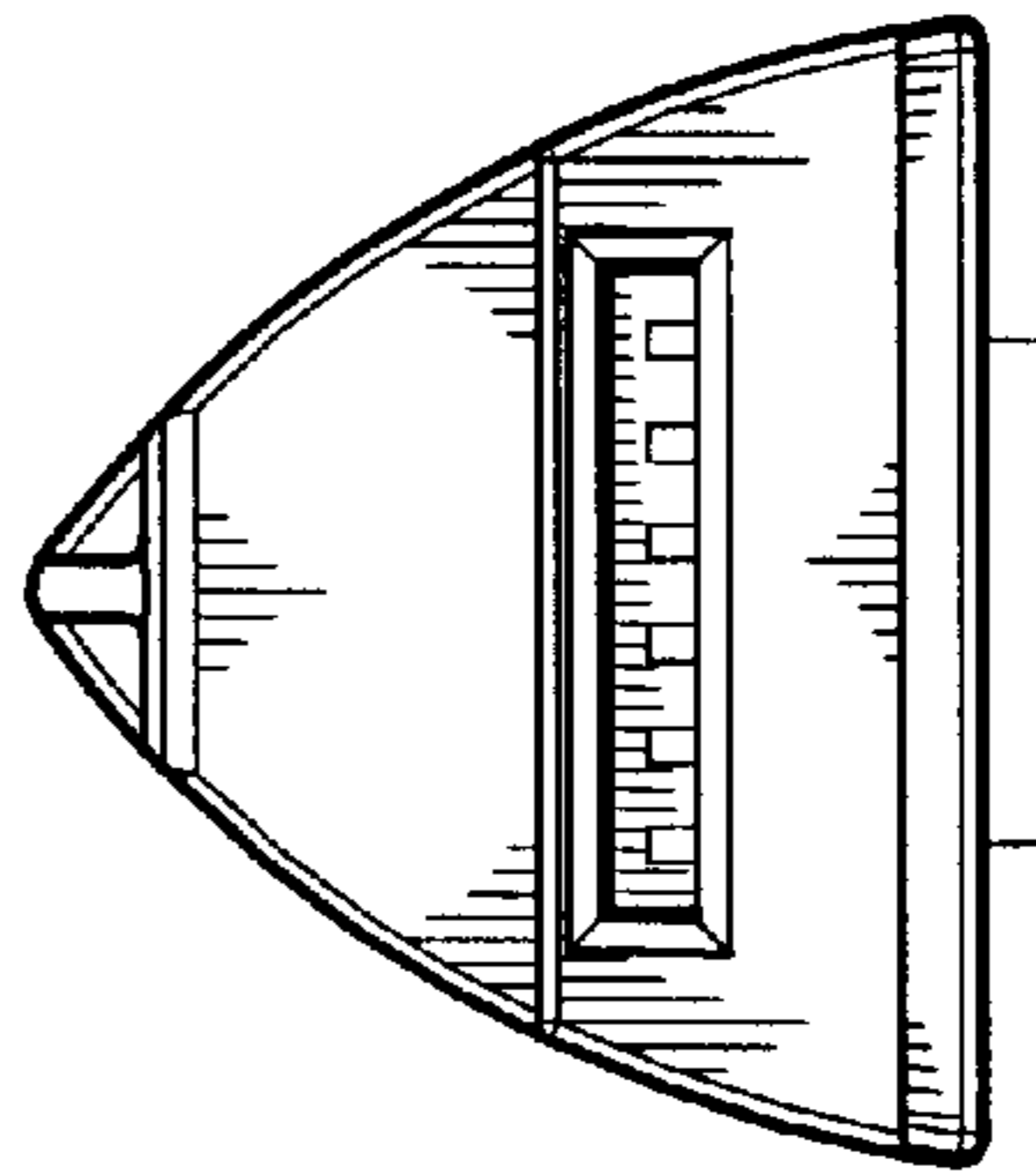


*Fig. 1.*

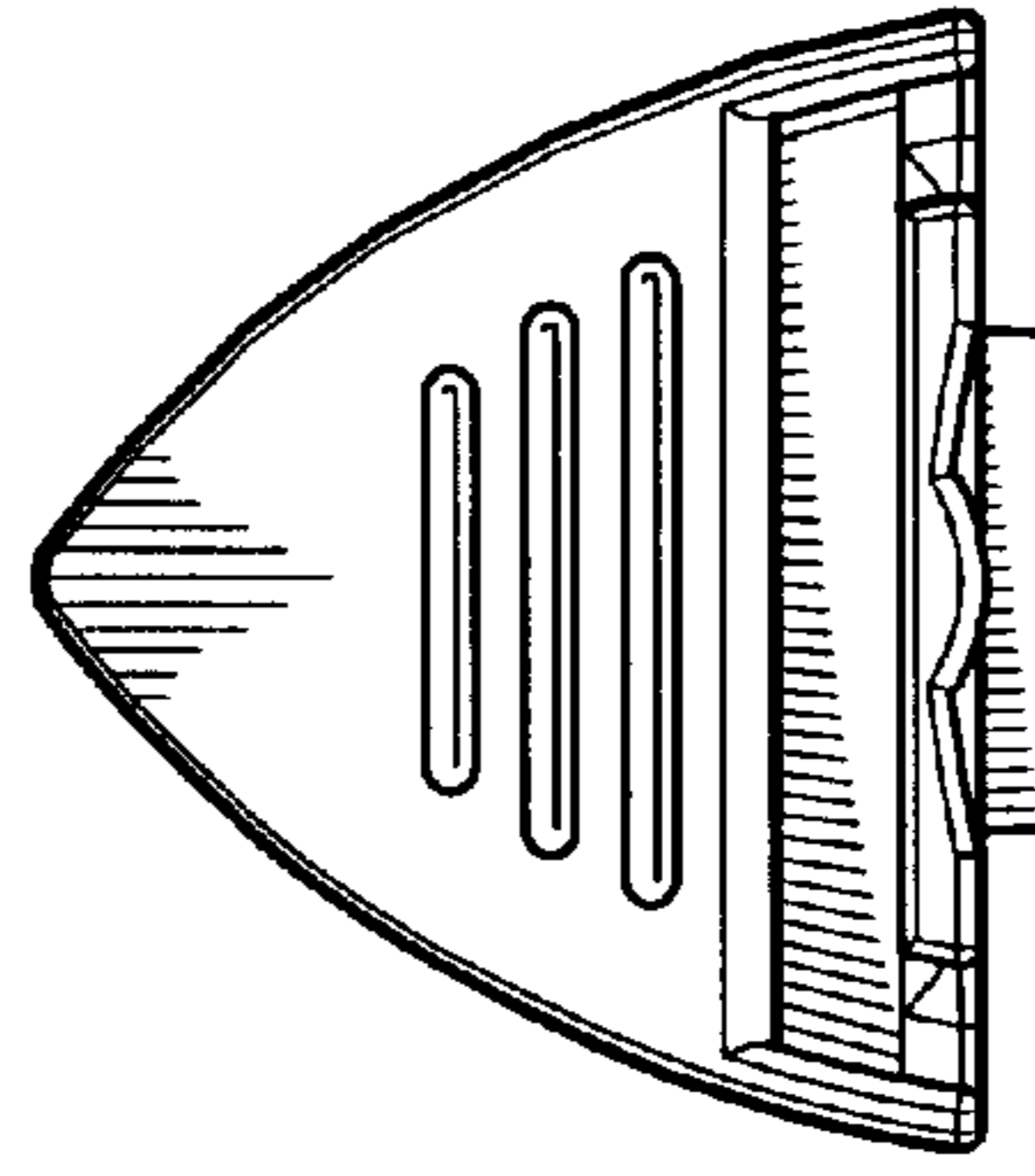
*Fig. 2.*



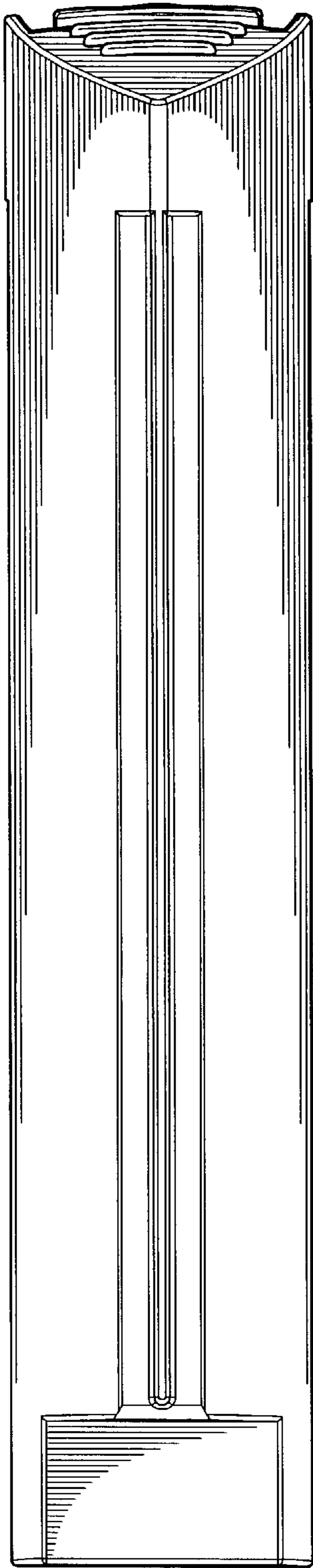
*Fig. 3.*



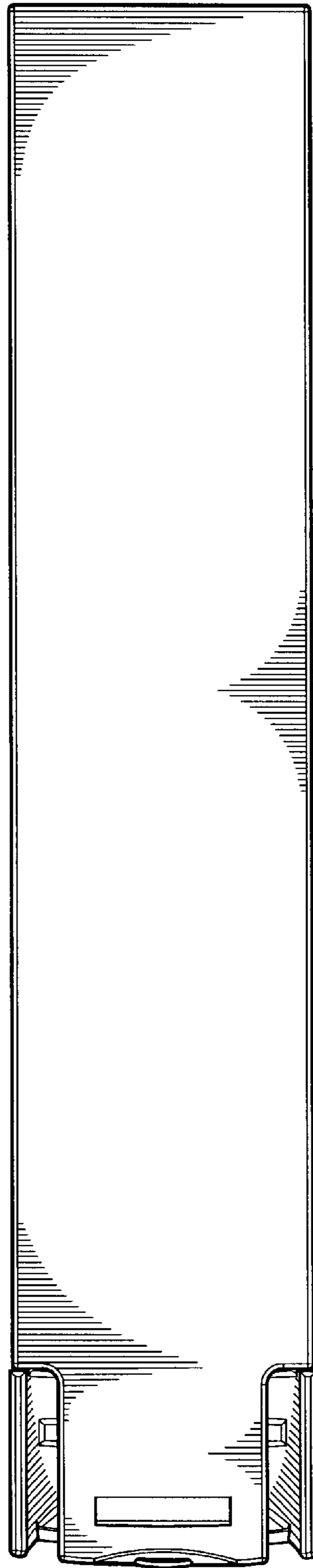
*Fig. 4.*



*Fig. 5.*



*Fig. 6.*



*Fig. 7.*