



US00D459295S

(12) **United States Design Patent**
Rodicq et al.

(10) **Patent No.:** **US D459,295 S**

(45) **Date of Patent:** **** Jun. 25, 2002**

(54) **TIRE TREAD**

(75) Inventors: **Christophe Rodicq**, Lommerange (FR);
Michel Etienne Joseph Marquet,
Bastogne (BE); **Olivier de Barsy**,
Kleinbettingen (LU)

(73) Assignee: **The Goodyear Tire & Rubber
Company**, Akron, OH (US)

(**) Term: **14 Years**

(21) Appl. No.: **29/153,492**

(22) Filed: **Oct. 22, 2001**

(51) **LOC (7) Cl.** **12-15**

(52) **U.S. Cl.** **D12/590**

(58) **Field of Search** D12/505, 519,
D12/520, 521, 522, 523, 551, 552, 553,
554, 555, 586, 587, 588, 589, 590, 591;
152/209.1, 209.8, 209.9, 209.13, 209.18,
209.25, 209.28, 455

(56) **References Cited**

U.S. PATENT DOCUMENTS

5,178,699 A	1/1993	Kakumu et al.	152/209 R
D333,287 S	2/1993	Slingluff et al.	D12/146
D340,684 S	* 10/1993	Houghton	D12/589
5,385,189 A	1/1995	Aoki et al.	152/209 R
5,593,521 A	1/1997	Iseki	152/209 R
5,658,409 A	8/1997	Kakumu	156/110.1
D385,235 S	10/1997	Young	D12/141
5,679,186 A	10/1997	Tagashira et al.	152/209 R
5,814,169 A	9/1998	Yamaguchi et al.	152/209 R

6,102,093 A	8/2000	Nakagawa	152/209.2
D432,956 S	* 10/2000	Ricquet	D12/588
6,286,573 B1	* 9/2001	Hine	152/209.5

OTHER PUBLICATIONS

Bridgestone Turanza ER30 Tire, 2000 Tread Design Guide,
Jan. 2000, p. 17. 2/5.*

Dunlop SP Sport 8000 Tire, 2000 Tread Design Guide, Jan.
2000, p. 26. 3/2.*

Michelin XZE1 Tire, 2000 Tread Design Guide, Jan. 2000,
p. 142. 2/2.*

* cited by examiner

Primary Examiner—Robert M. Spear

(74) *Attorney, Agent, or Firm*—David L. King

(57) **CLAIM**

The ornamental Design for a tire tread, as shown and
described.

DESCRIPTION

FIG. 1 is a perspective view of a tire tread showing our new
design, it being understood that the pattern repeats uni-
formly throughout the circumference of the tread;

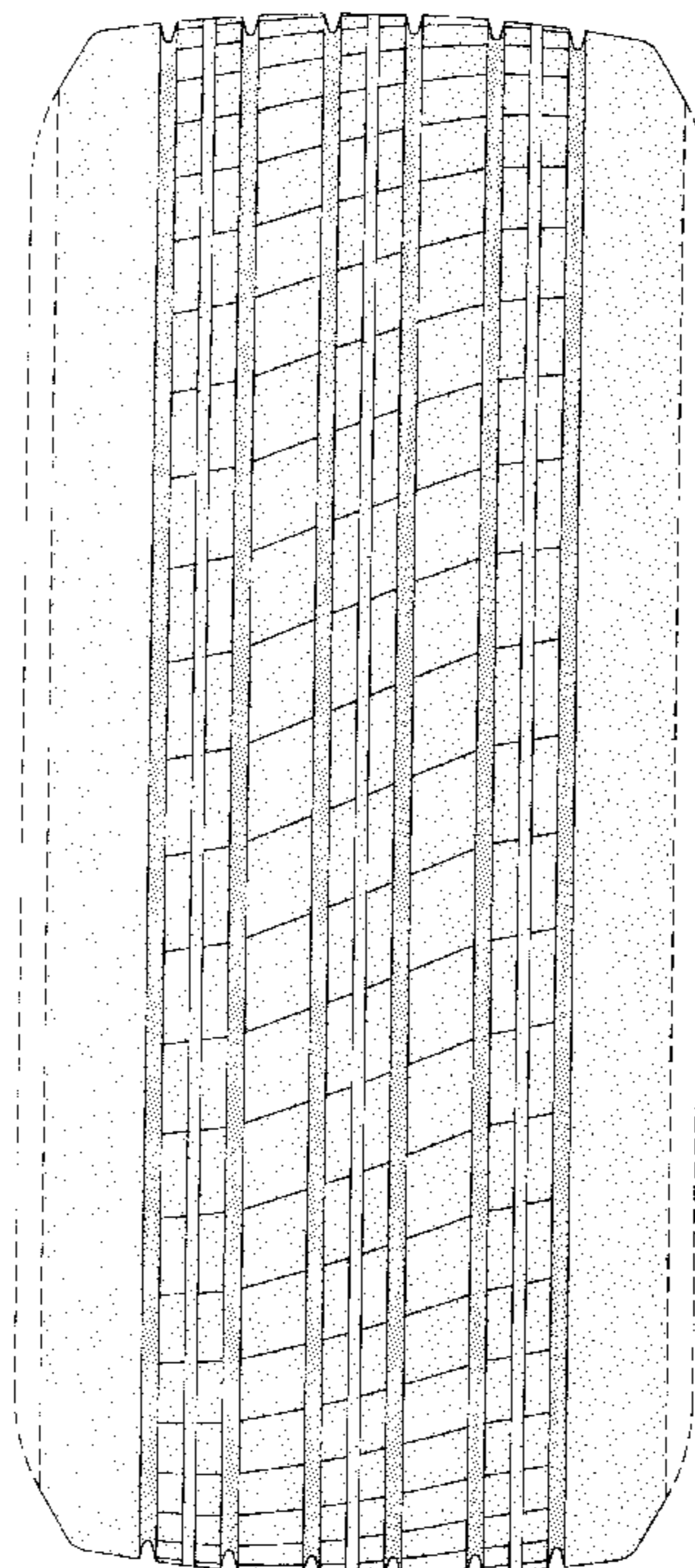
FIG. 2 is a front elevational view thereof;

FIG. 3 is a side elevational view thereof, the opposite side
elevational view being identical thereto; and,

FIG. 4 is an enlarged fragmentary perspective view.

In the drawings, the broken lines defining the sidewall and
inner bead of the tire and the peripheral boundary between
the tire tread and the sidewall are for illustrative purposes
only and form no part of the claimed design.

1 Claim, 4 Drawing Sheets



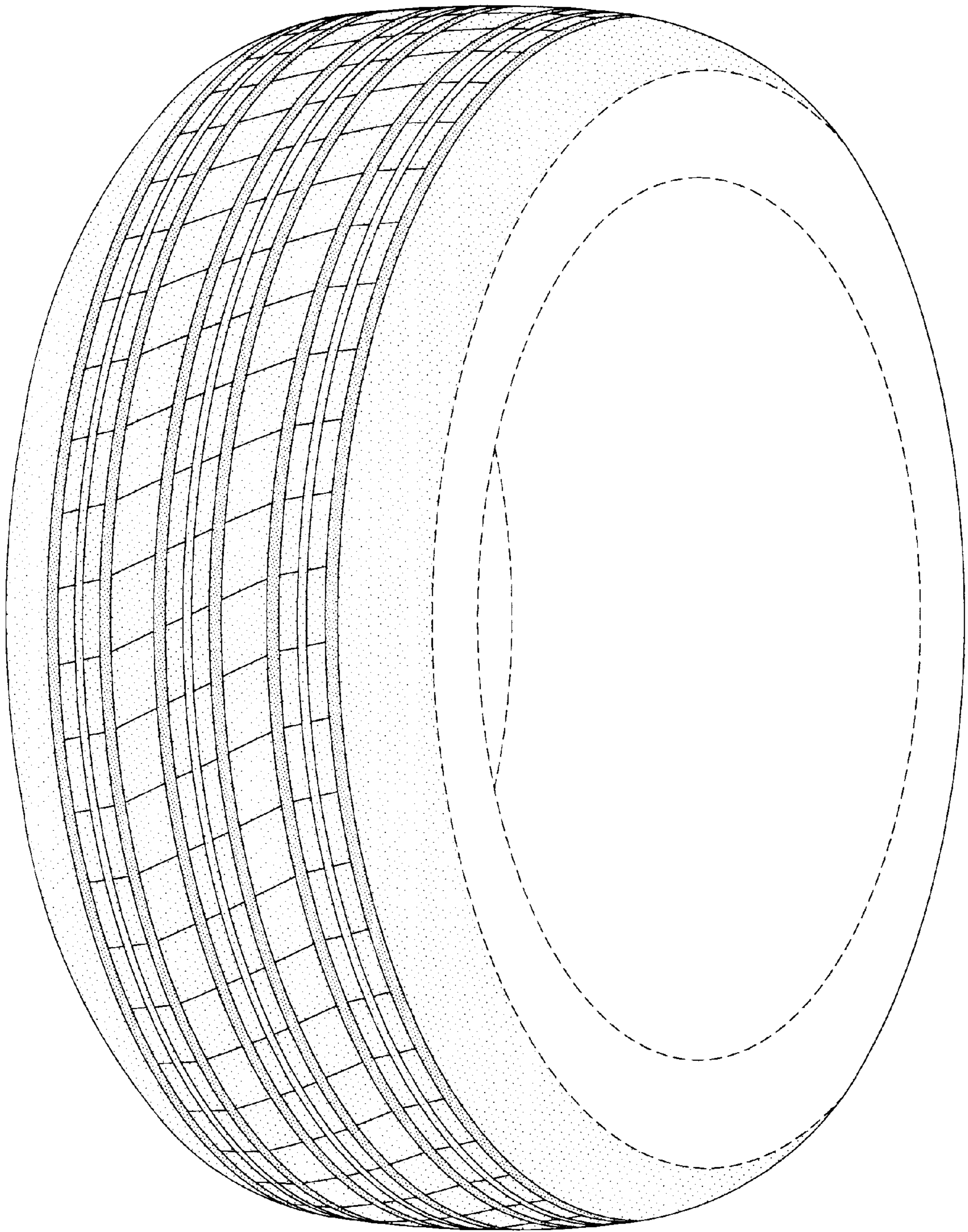


FIG-1

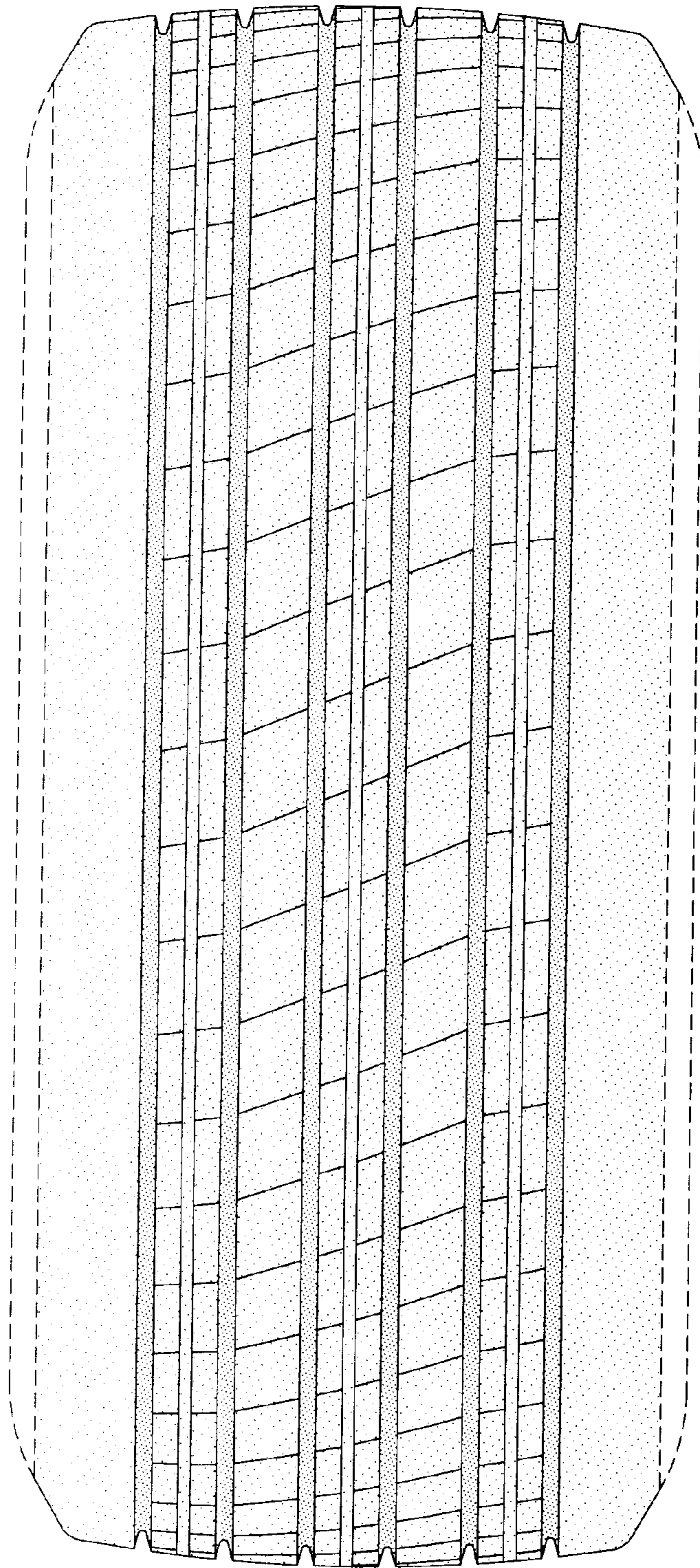


FIG-2

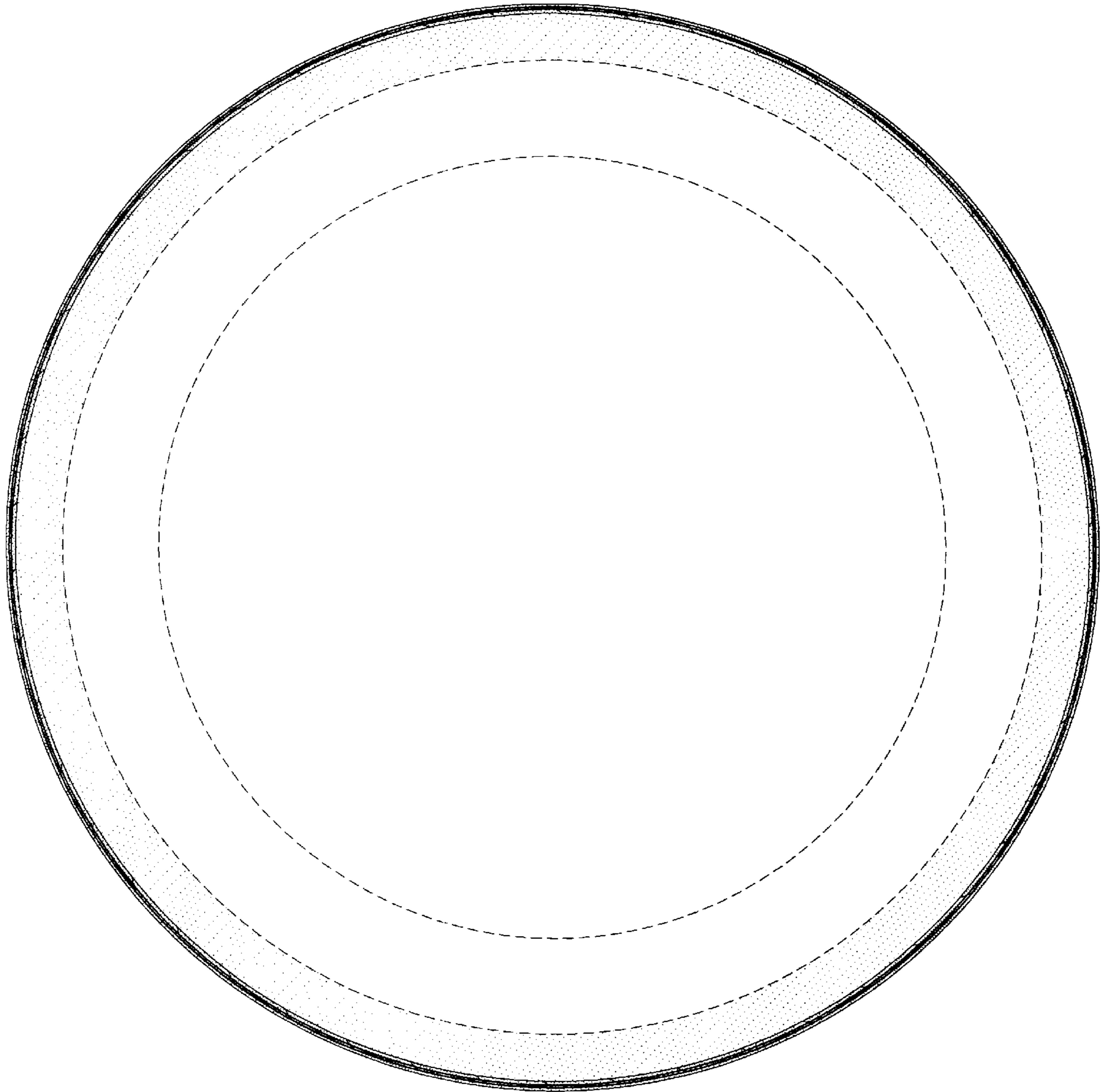


FIG-3

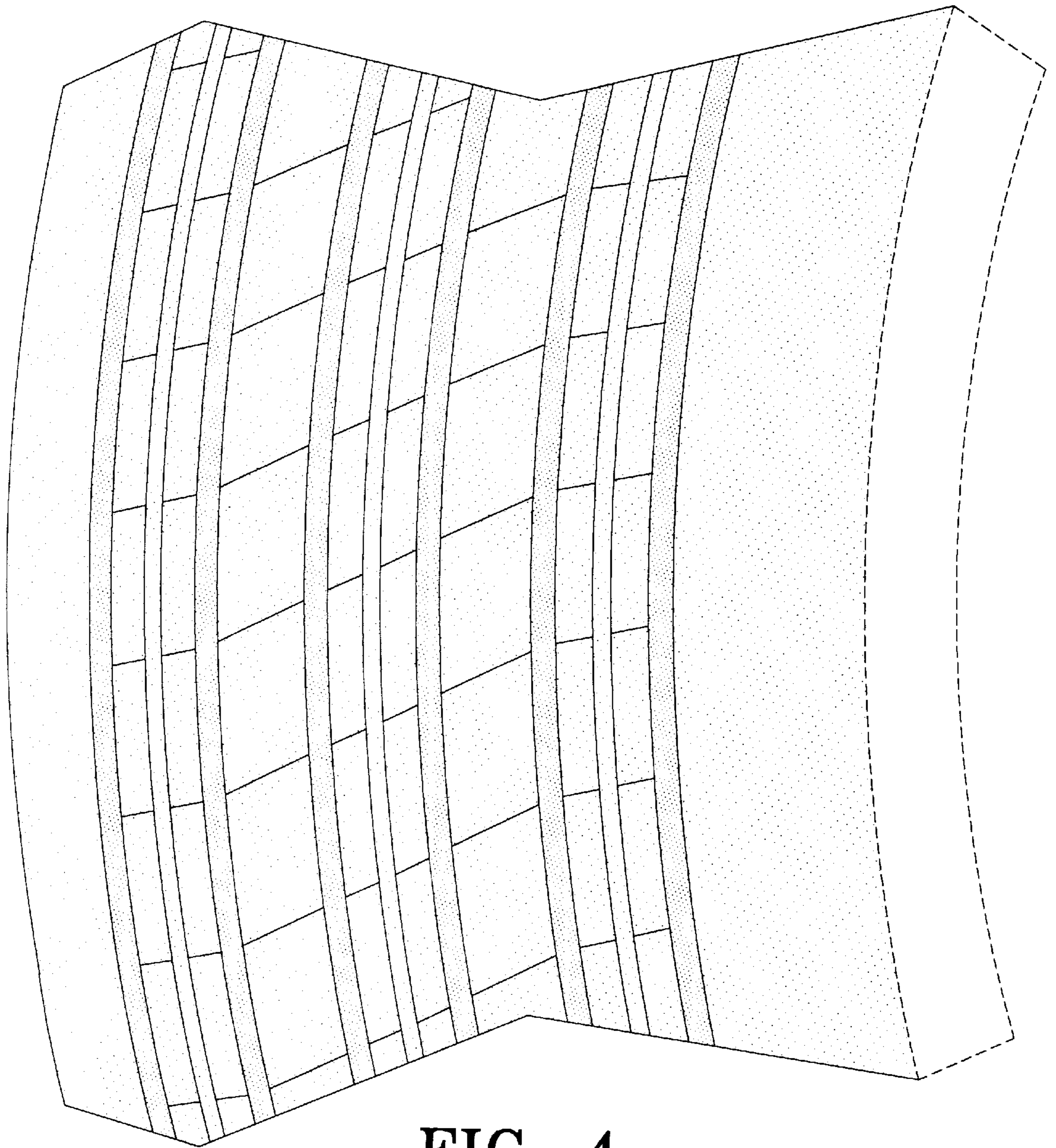


FIG-4