



US00D459286S

(12) **United States Design Patent**  
**Miralles et al.**

(10) **Patent No.:** **US D459,286 S**  
(45) **Date of Patent:** **\*\* Jun. 25, 2002**

(54) **DUCTED FAN AIRCRAFT**

(75) Inventors: **Carlos T. Miralles**, Tujunga; **David W. Ganzer**, Simi Valley, both of CA (US)

(73) Assignee: **AeroVironment, Inc.**, Monrovia, CA (US)

(\*\*) Term: **14 Years**

(21) Appl. No.: **29/146,170**

(22) Filed: **Aug. 6, 2001**

(51) **LOC (7) Cl.** ..... **12-07**

(52) **U.S. Cl.** ..... **D12/319**

(58) **Field of Search** ..... D12/319, 326,  
D12/333, 339, 344, 343; 244/15, 53 B,  
55, 91, 199

(56) **References Cited**

**U.S. PATENT DOCUMENTS**

D319,805 S \* 9/1991 Wiegert ..... D12/319

5,295,643 A 3/1994 Ebbert et al.  
5,303,879 A \* 4/1994 Bucher ..... D12/319  
5,395,073 A \* 3/1995 Rutan et al. .... D12/319

\* cited by examiner

*Primary Examiner*—Marcus A. Jackson

(74) *Attorney, Agent, or Firm*—William W. Haefliger

(57) **CLAIM**

The ornamental design for a ducted fan aircraft, as shown and described.

**DESCRIPTION**

FIG. 1 is front elevation view of the ducted fan aircraft; FIG. 2 is a right side elevation view of the FIG. 1 aircraft; FIG. 3 is a rear elevation view of the FIG. 1 aircraft; FIG. 4 is a left side view of the FIG. 1 aircraft; FIG. 5 is a top plan view of the FIG. 1 aircraft; and, FIG. 6 is a bottom plan view of the FIG. 1 aircraft.

**1 Claim, 3 Drawing Sheets**

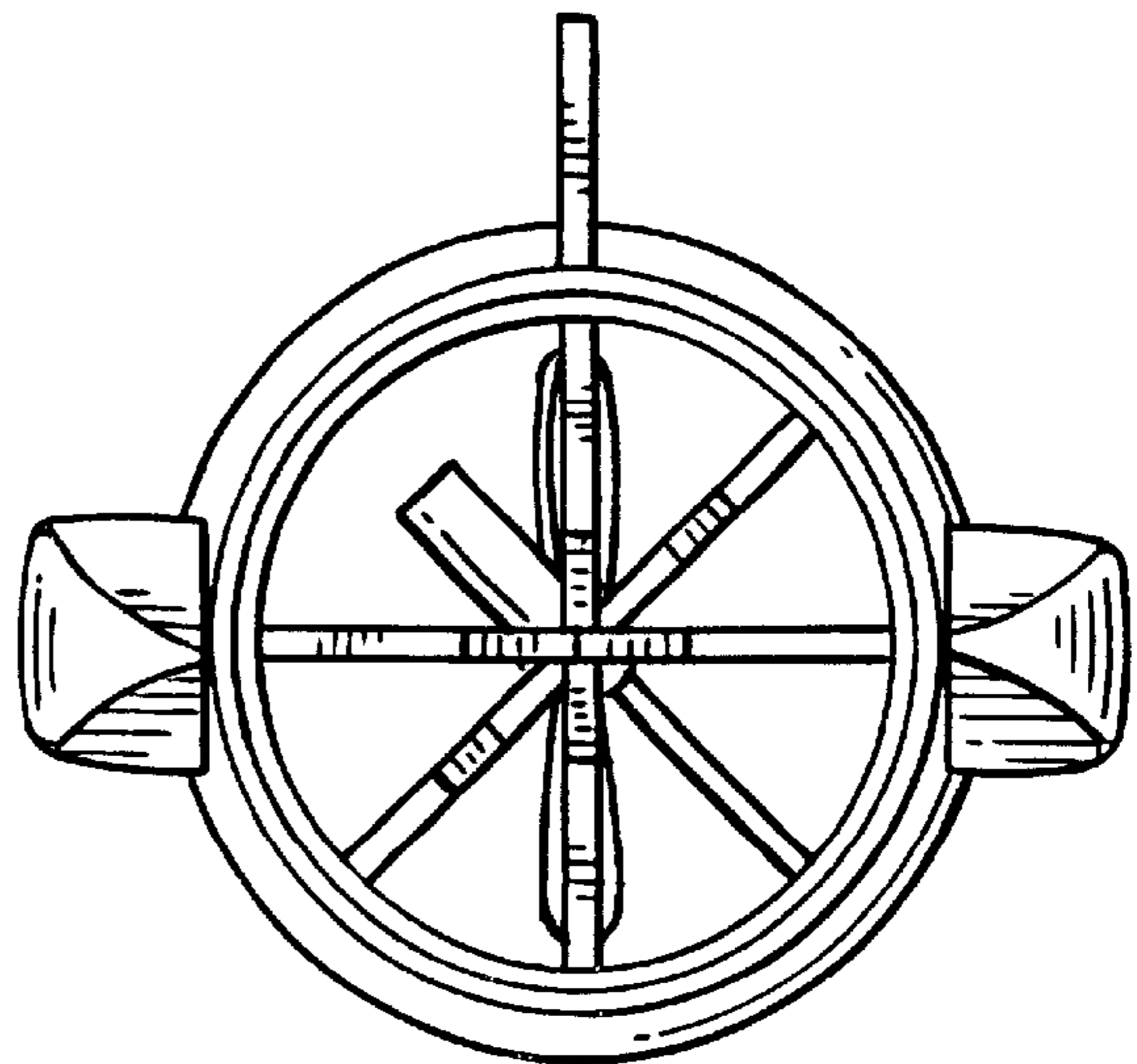
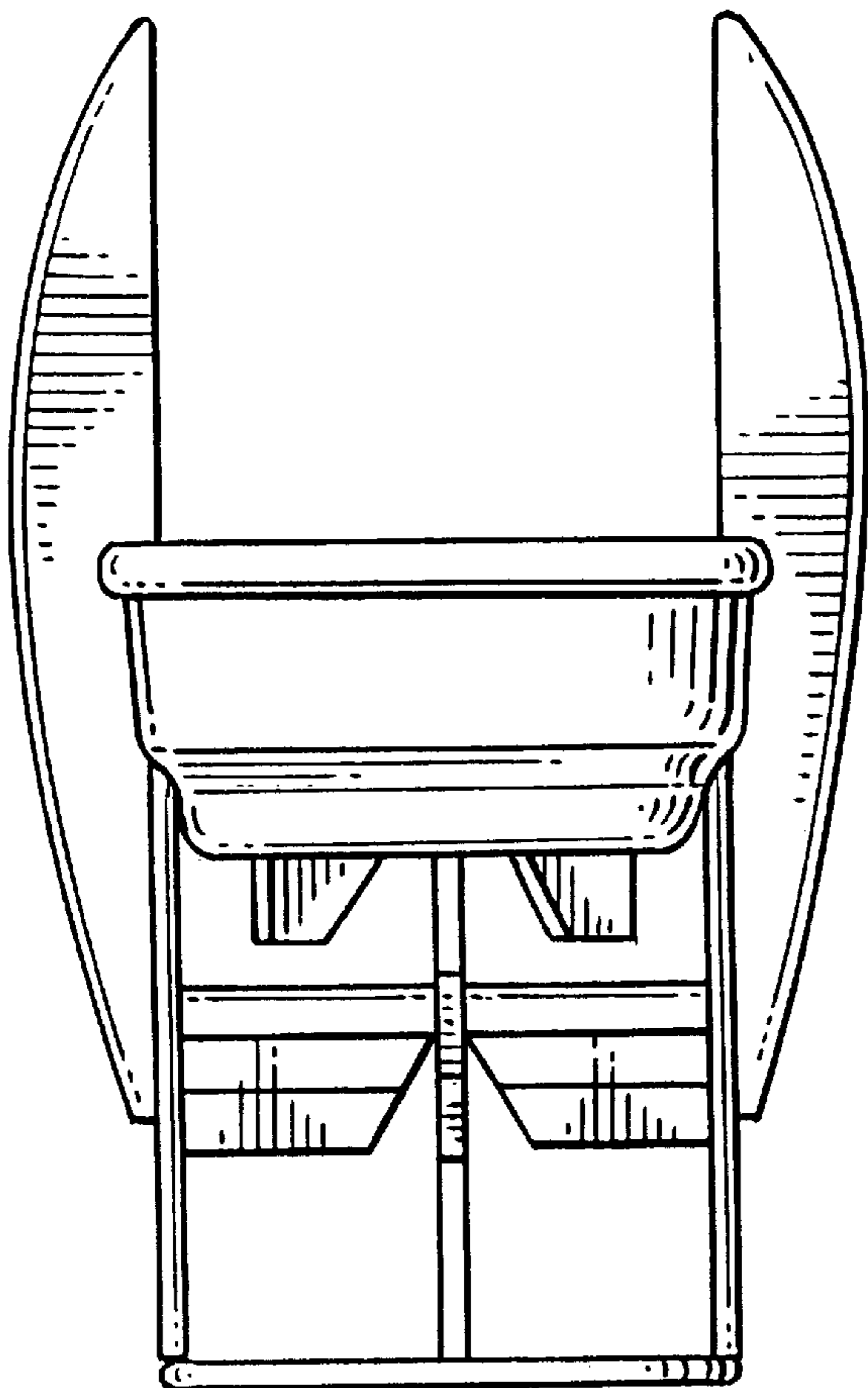


FIG. 2.

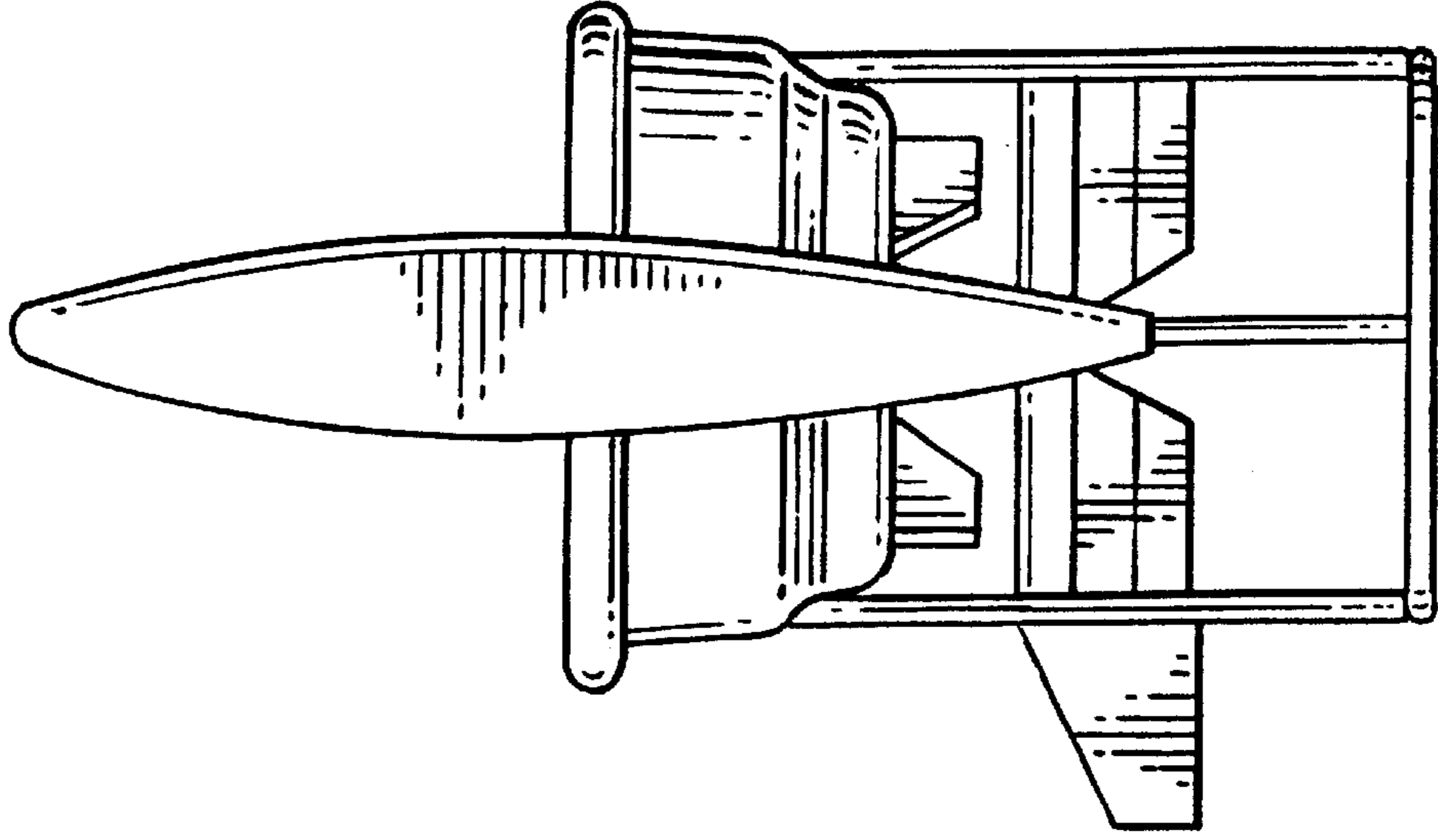


FIG. 1.

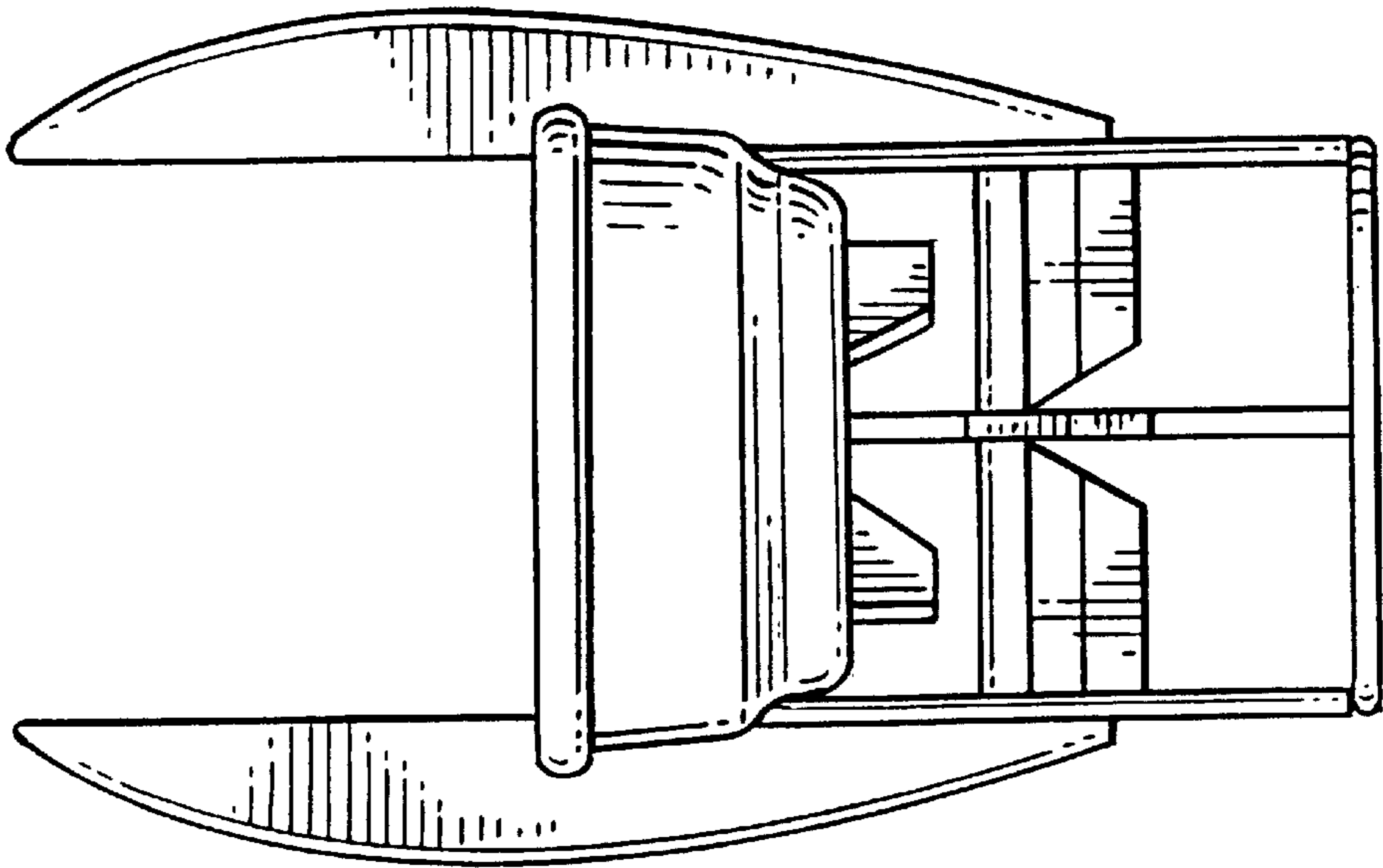


FIG. 9.

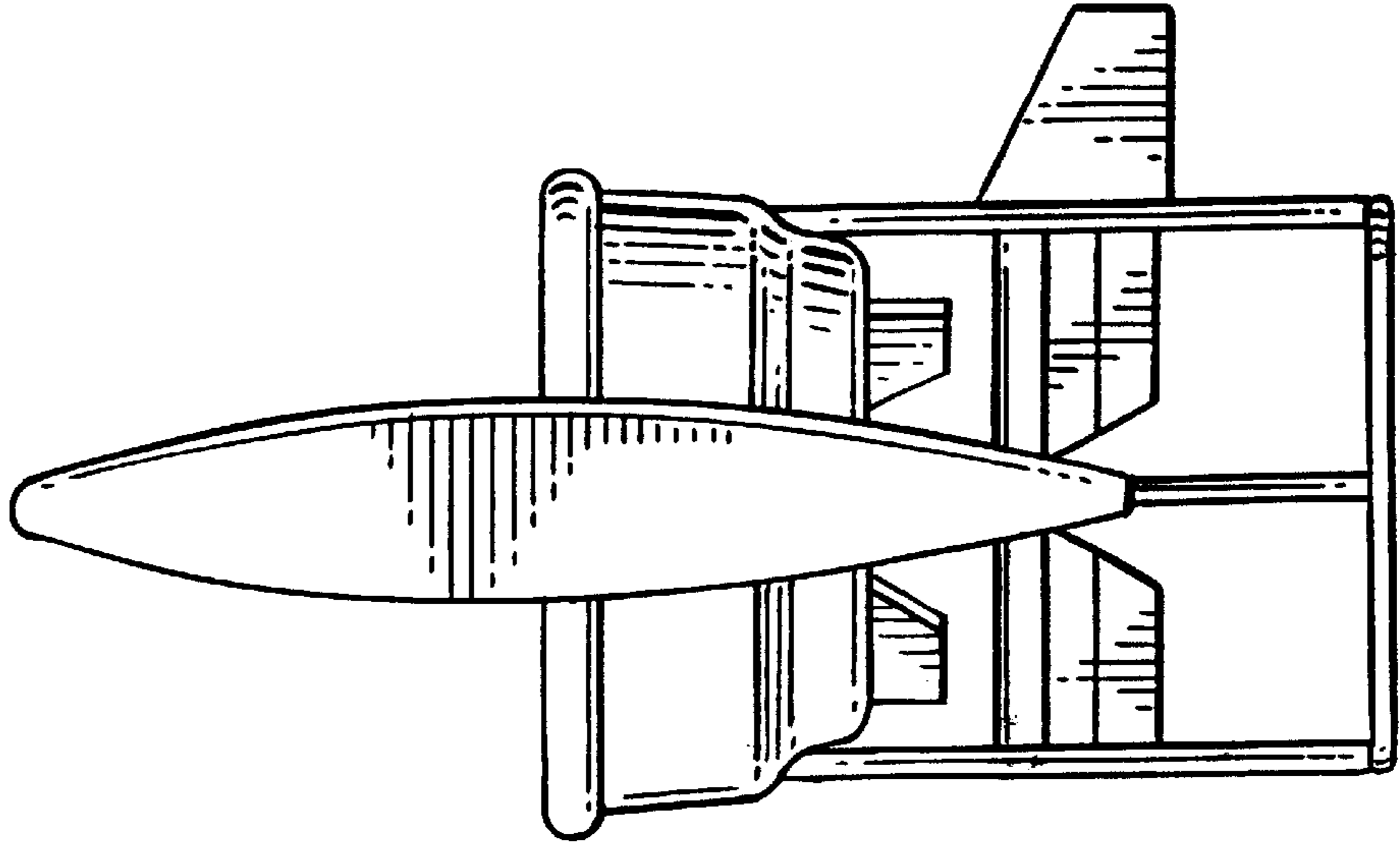
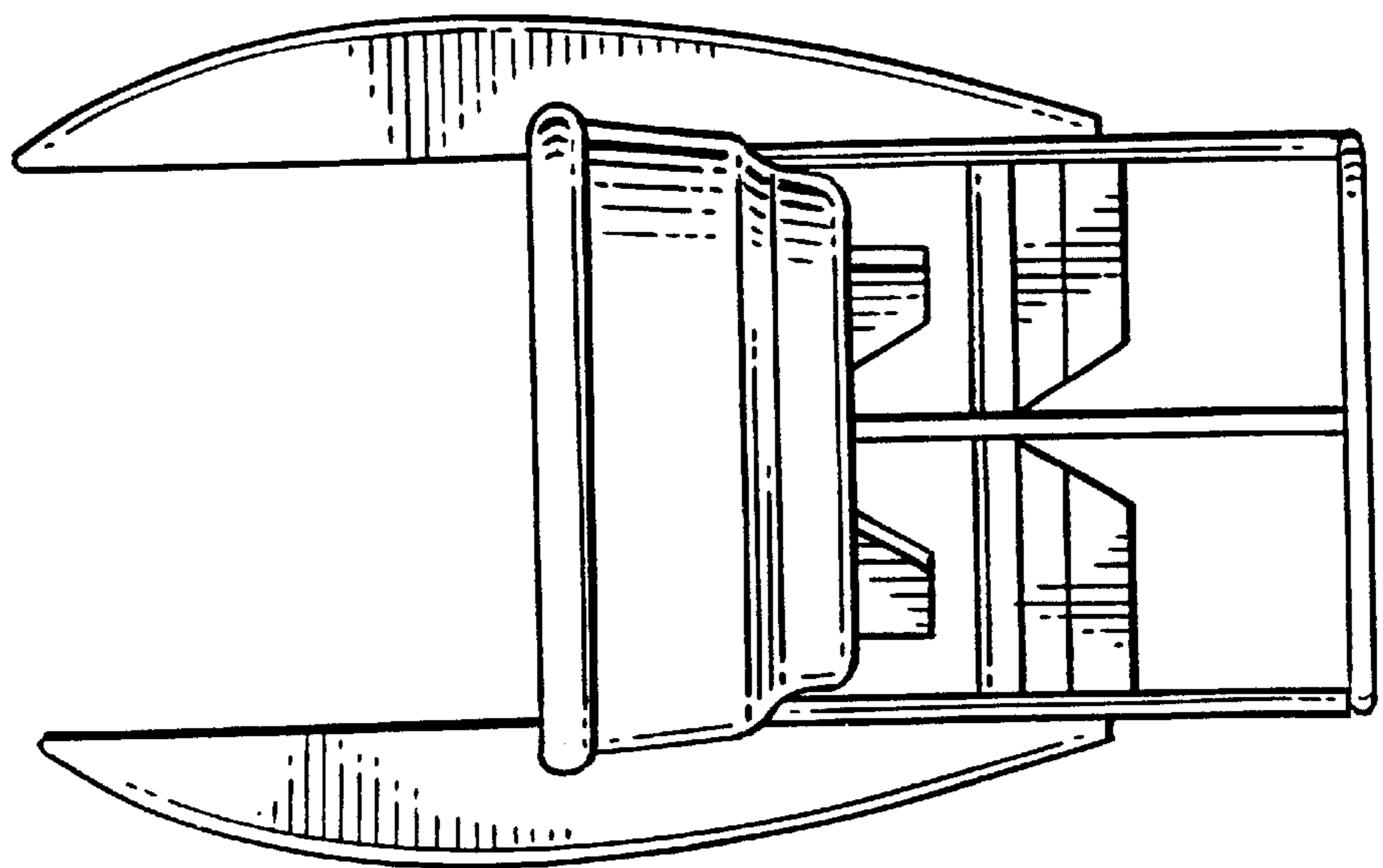
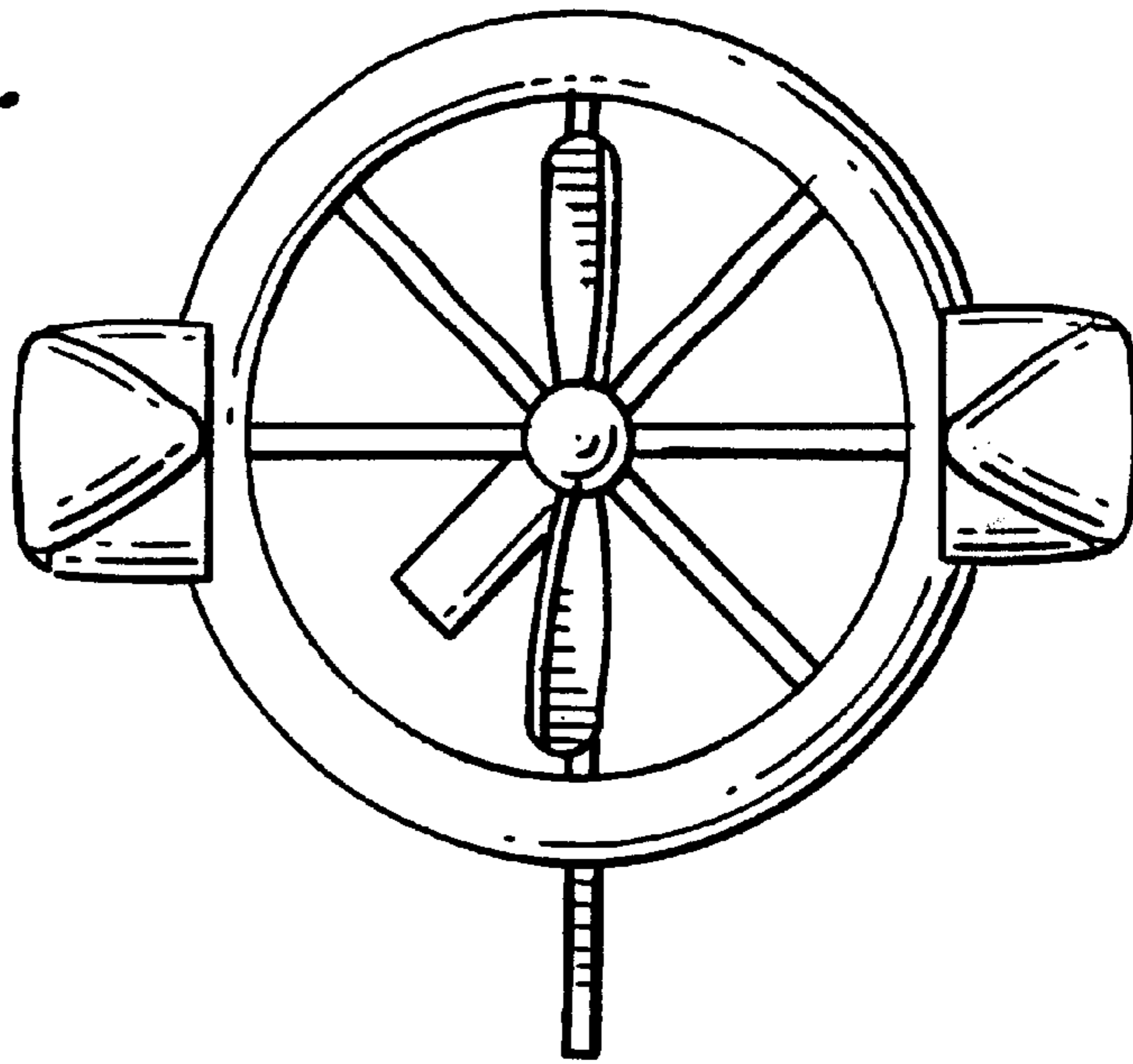


FIG. 3.



*FIG. 5.*



*FIG. 6.*

