



US00D459285S

(12) **United States Design Patent**
Rietsch

(10) **Patent No.:** **US D459,285 S**

(45) **Date of Patent:** **** Jun. 25, 2002**

(54) **PROPELLER**

D431,627 S * 10/2000 Etschel et al. D23/200

(75) Inventor: **Peter Rietsch**, Regnitzlosau (DE)

* cited by examiner

(73) Assignee: **EMU Unterwasserpumpen GmbH**,
Hof (DE)

Primary Examiner—Lisa Lichtenstein

(74) *Attorney, Agent, or Firm*—Schweitzer Cornman Gross
& Bondell LLP

(**) Term: **14 Years**

(57) **CLAIM**

(21) Appl. No.: **29/144,618**

The ornamental design for a propeller, as shown.

(22) Filed: **Jul. 6, 2001**

DESCRIPTION

(30) **Foreign Application Priority Data**

Jan. 20, 2001 (DE) 4 01 00 499

(51) **LOC (7) Cl.** **12-16**

(52) **U.S. Cl.** **D12/214**

(58) **Field of Search** D12/214, 317;
D23/379; 416/228, 223 R, 204 R, 235;
415/203; 440/73, 89; 114/274

FIG. 1 is a perspective view of a new propeller in accordance with the present invention;

FIG. 2 is a top plan elevational view of the propeller of FIG. 1;

FIG. 3 is a right side elevational view of the propeller of FIG. 1;

FIG. 4 is a left side elevational view of the propeller of FIG. 1;

FIG. 5 is a front view of the propeller of FIG. 1 from the flow direction; and,

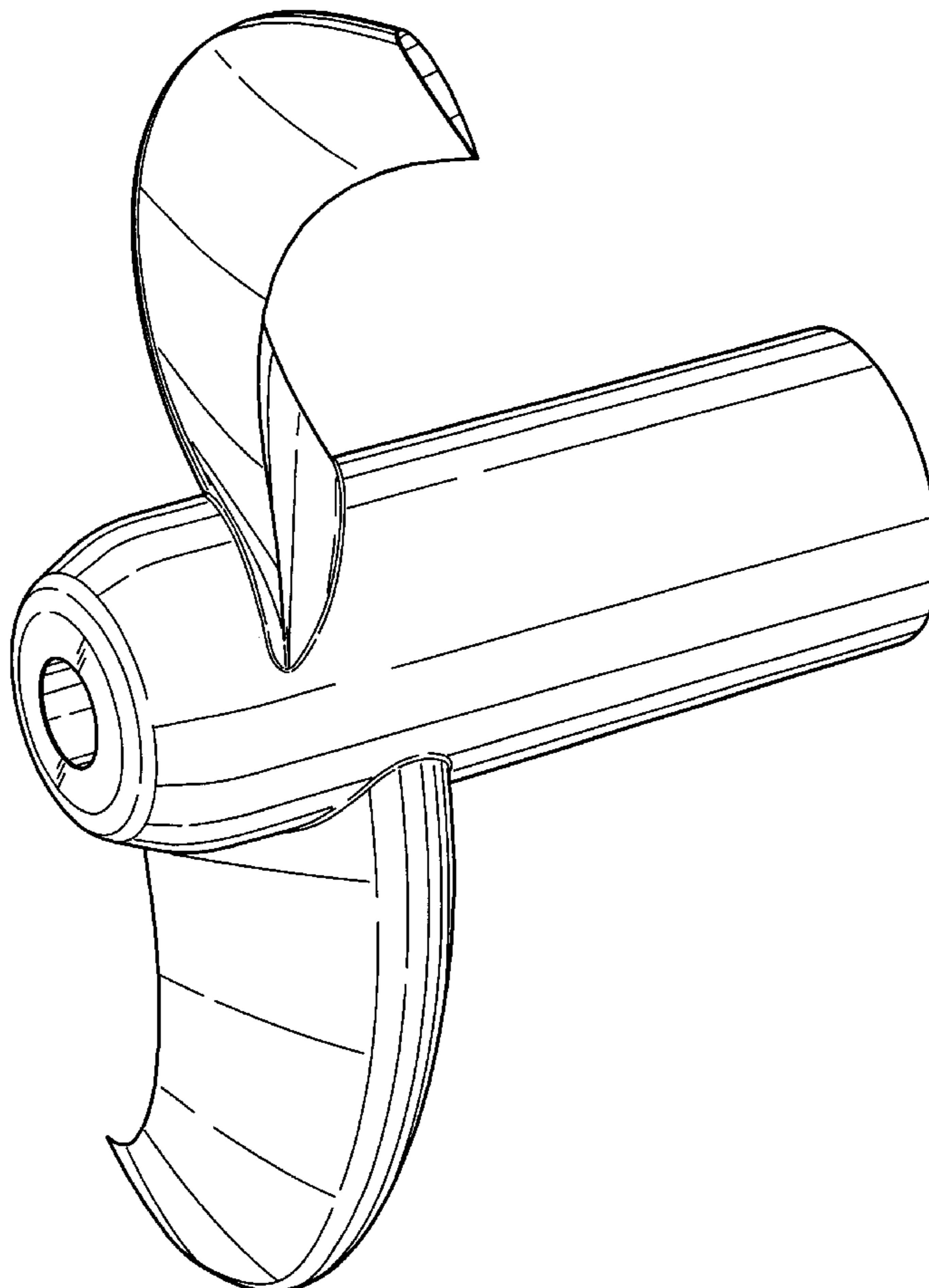
FIG. 6 is a rear view of the propeller of FIG. 1 from the motor side.

(56) **References Cited**

U.S. PATENT DOCUMENTS

1,123,202 A * 12/1914 Amnelius 416/235
1,955,929 A * 4/1934 Mueller 416/235

1 Claim, 5 Drawing Sheets



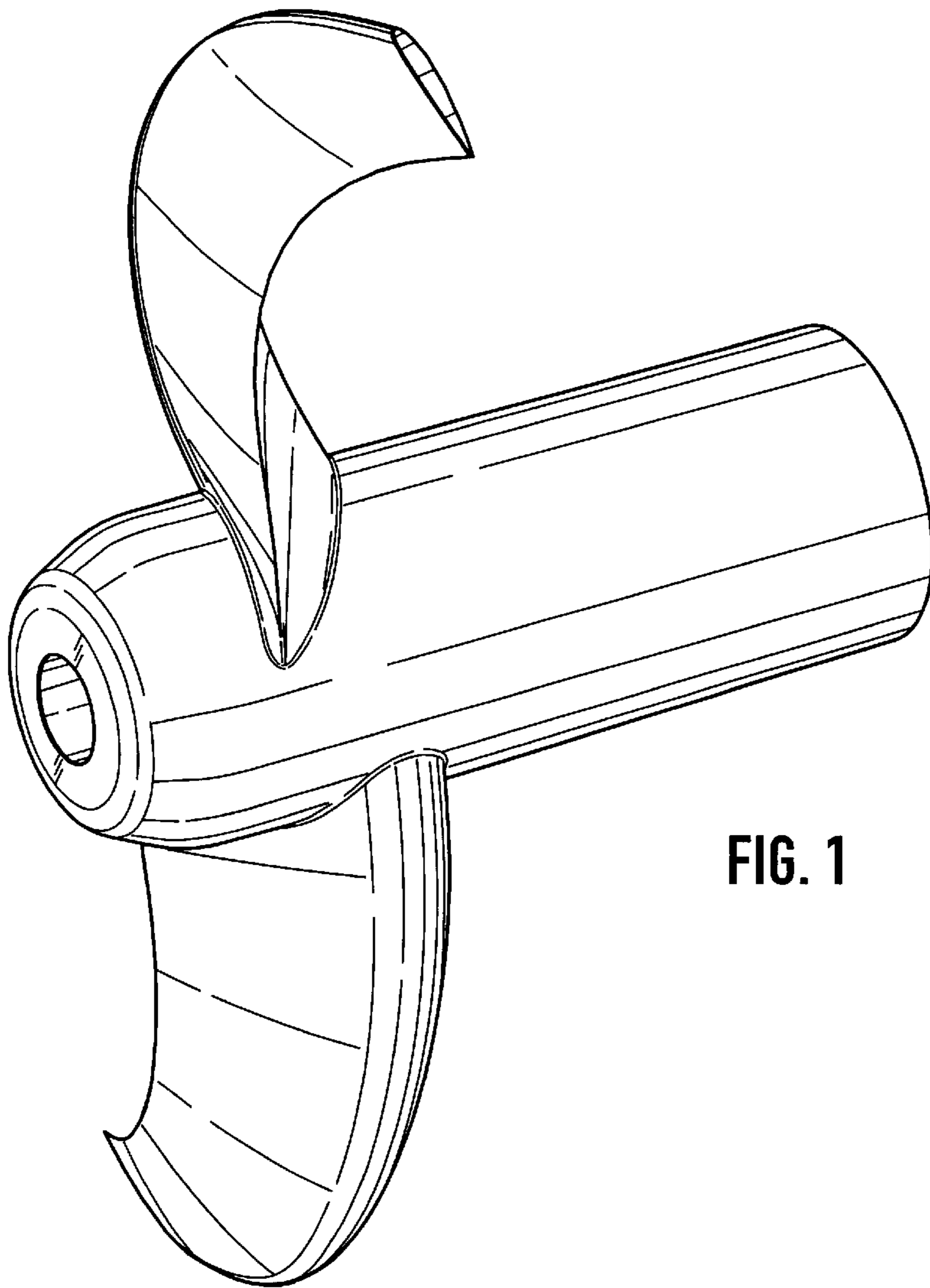


FIG. 1

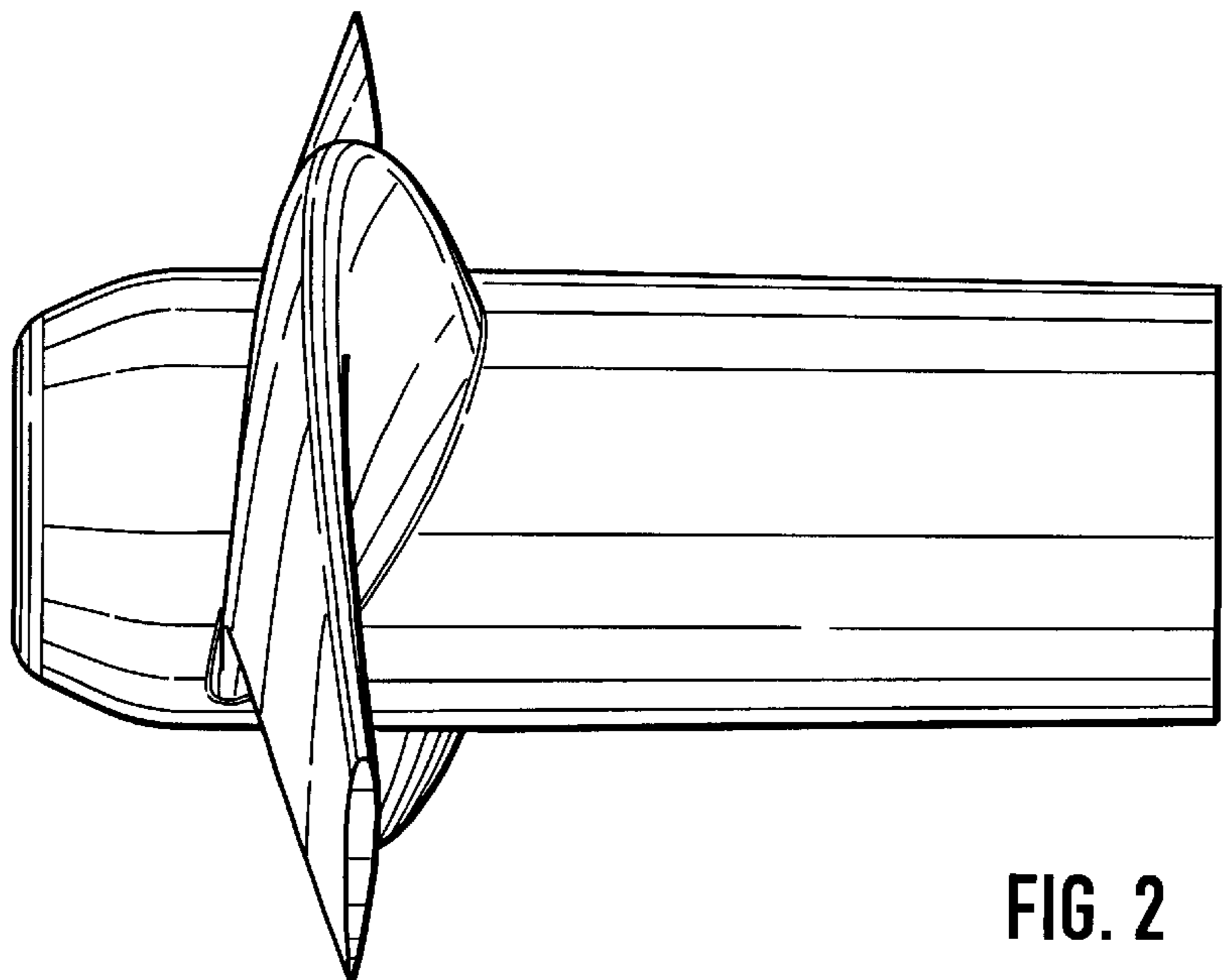


FIG. 2

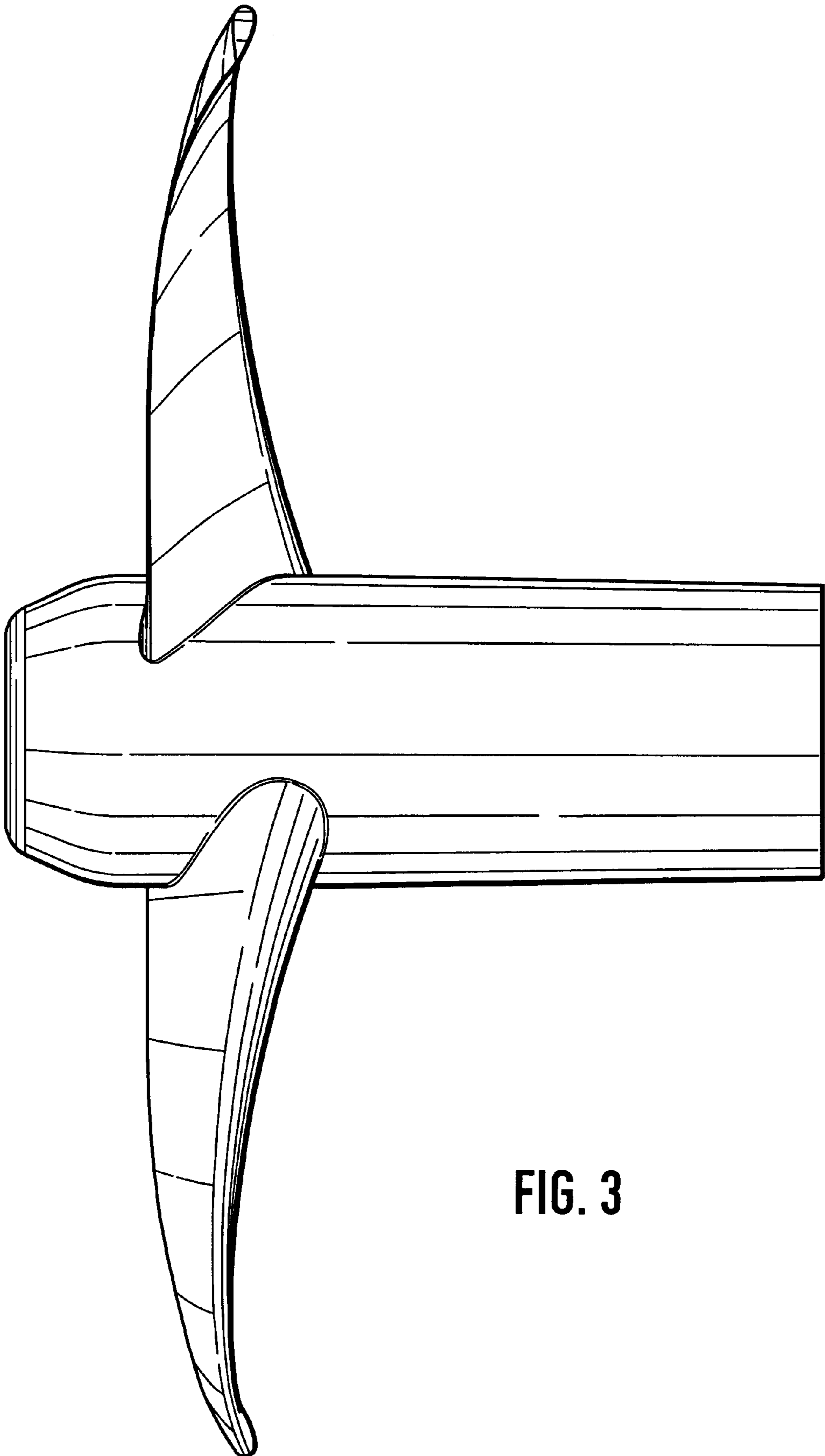


FIG. 3

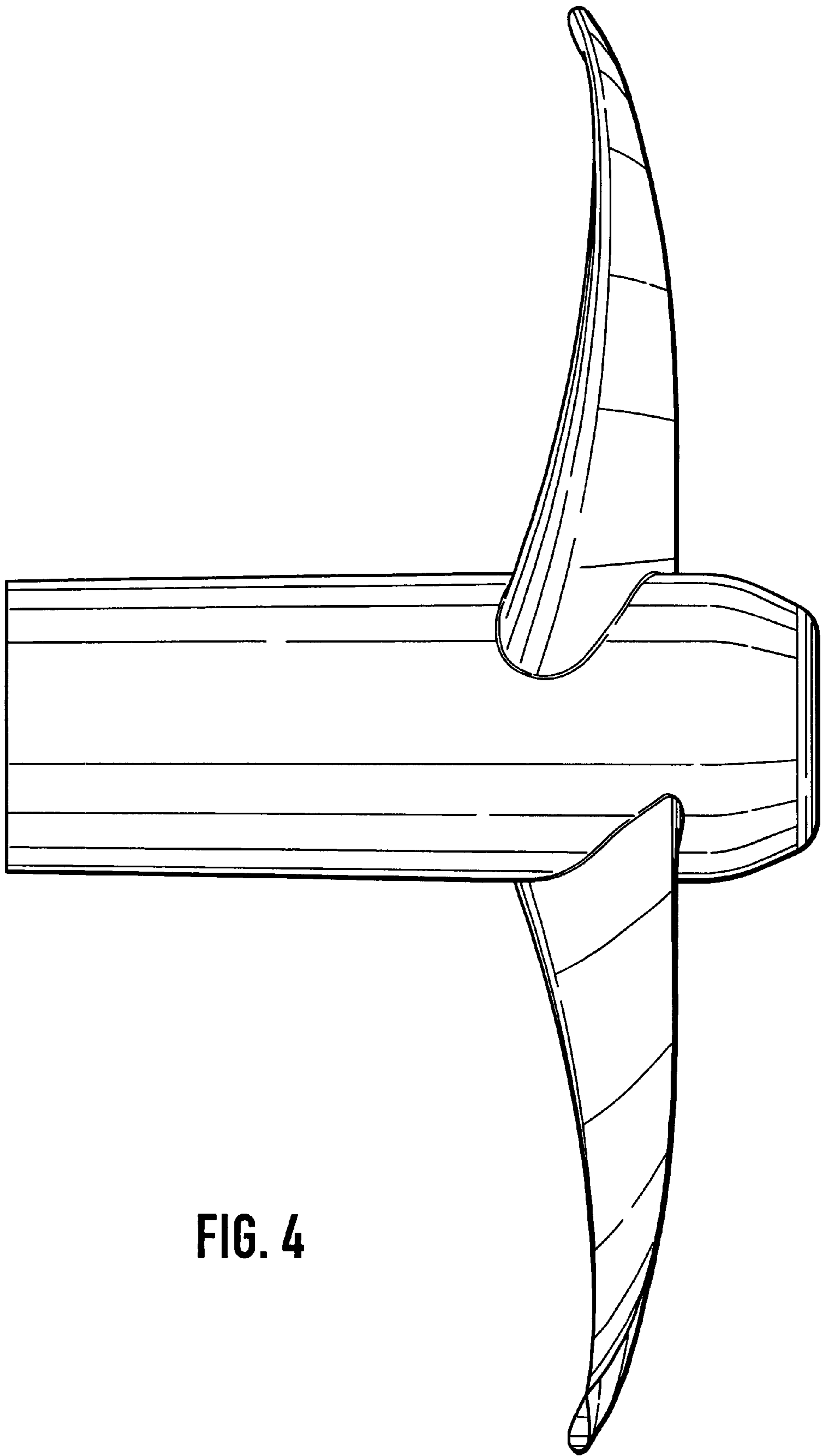


FIG. 4

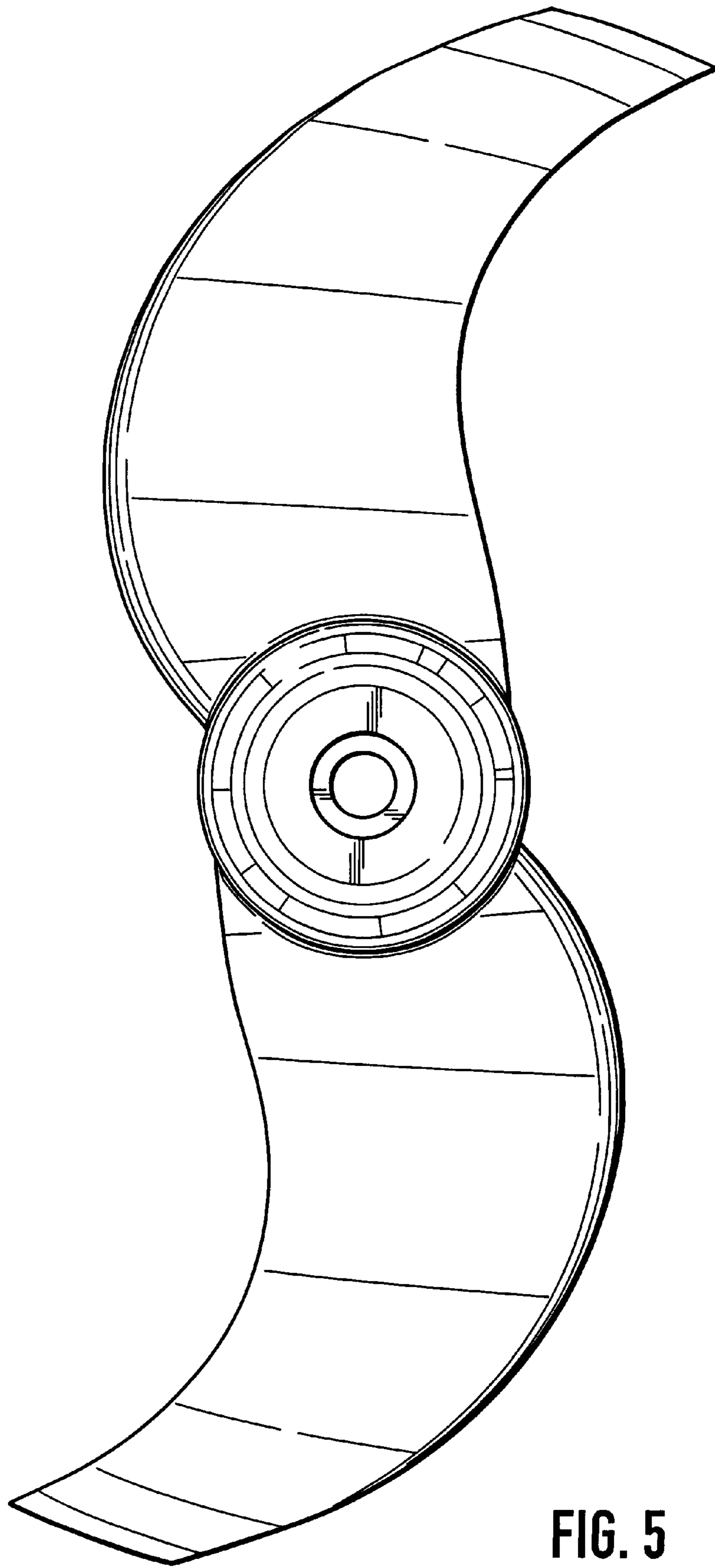


FIG. 5

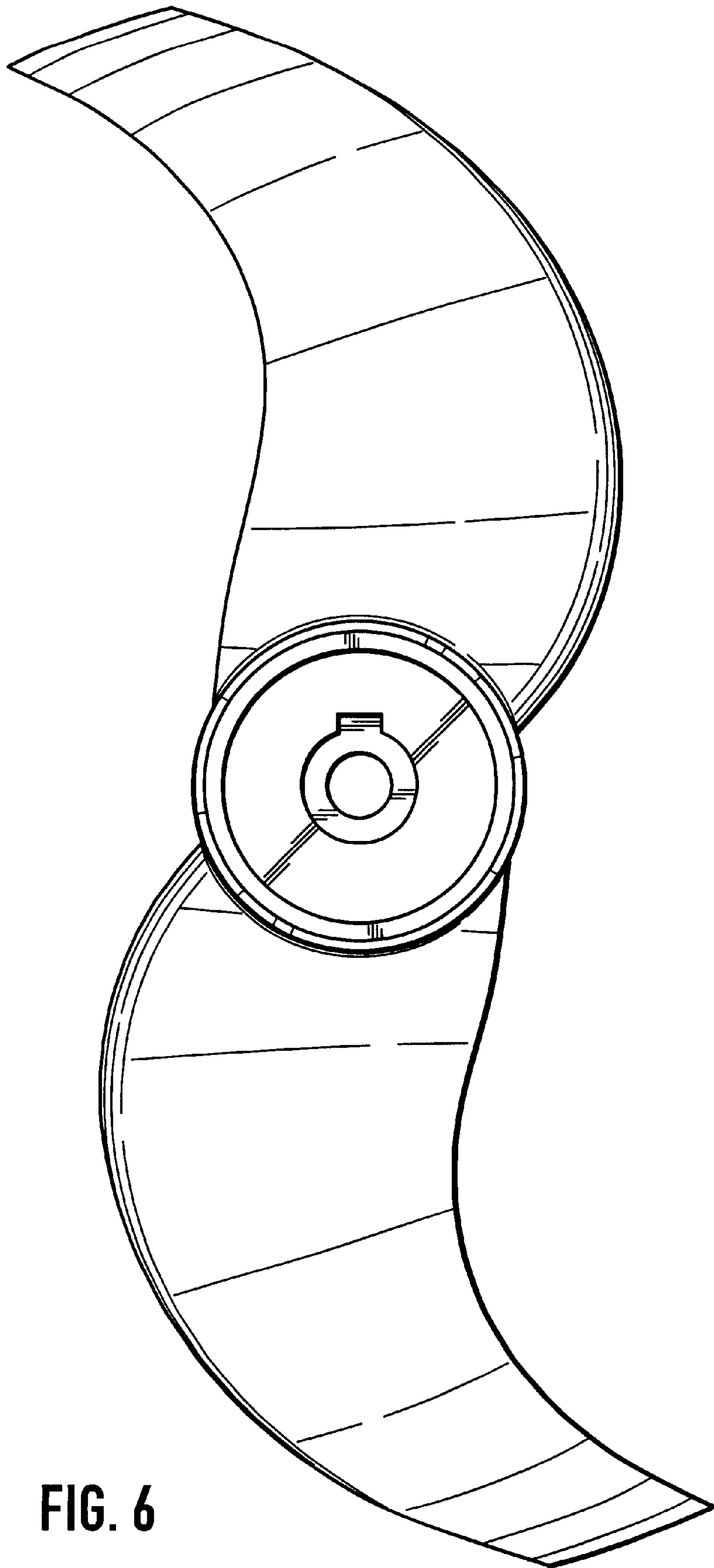


FIG. 6