



US00D459281S

(12) **United States Design Patent**
Sinkwitz

(10) **Patent No.:** **US D459,281 S**

(45) **Date of Patent:** **** Jun. 25, 2002**

(54) **SURFACE CONFIGURATION OF A HOOD FOR A VEHICLE**

Primary Examiner—Melody N. Brown
(74) *Attorney, Agent, or Firm*—Crowell & Moring LLP

(75) **Inventor:** **Hartmut Sinkwitz, Stuttgart (DE)**

(57) **CLAIM**

(73) **Assignee:** **DaimlerChrysler AG, Stuttgart (DE)**

The ornamental design for a surface configuration of a hood for a vehicle, as shown and described.

(**) **Term:** **14 Years**

DESCRIPTION

(21) **Appl. No.:** **29/129,133**

This application is related to co-pending application Ser. No. 29/129,138, of the inventor, filed on even date herewith and entitled "surface configuration of a Vehicle and Toy."

(22) **Filed:** **Sep. 8, 2000**

(51) **LOC (7) Cl.** **12-16**

(52) **U.S. Cl.** **D12/173**

(58) **Field of Search** D12/173, 90-92;
180/69.1, 69.2, 69.21; 296/185

FIG. 1 is a top view of a surface configuration of a hood for a vehicle according to my novel design;

FIG. 2 is a front view of the surface configuration of a hood for a vehicle according to my novel design; and,

FIG. 3 is a perspective view from the right of the surface configuration of a hood for a vehicle according to my novel design, the perspective view from the left being mirror symmetrical.

(56) **References Cited**

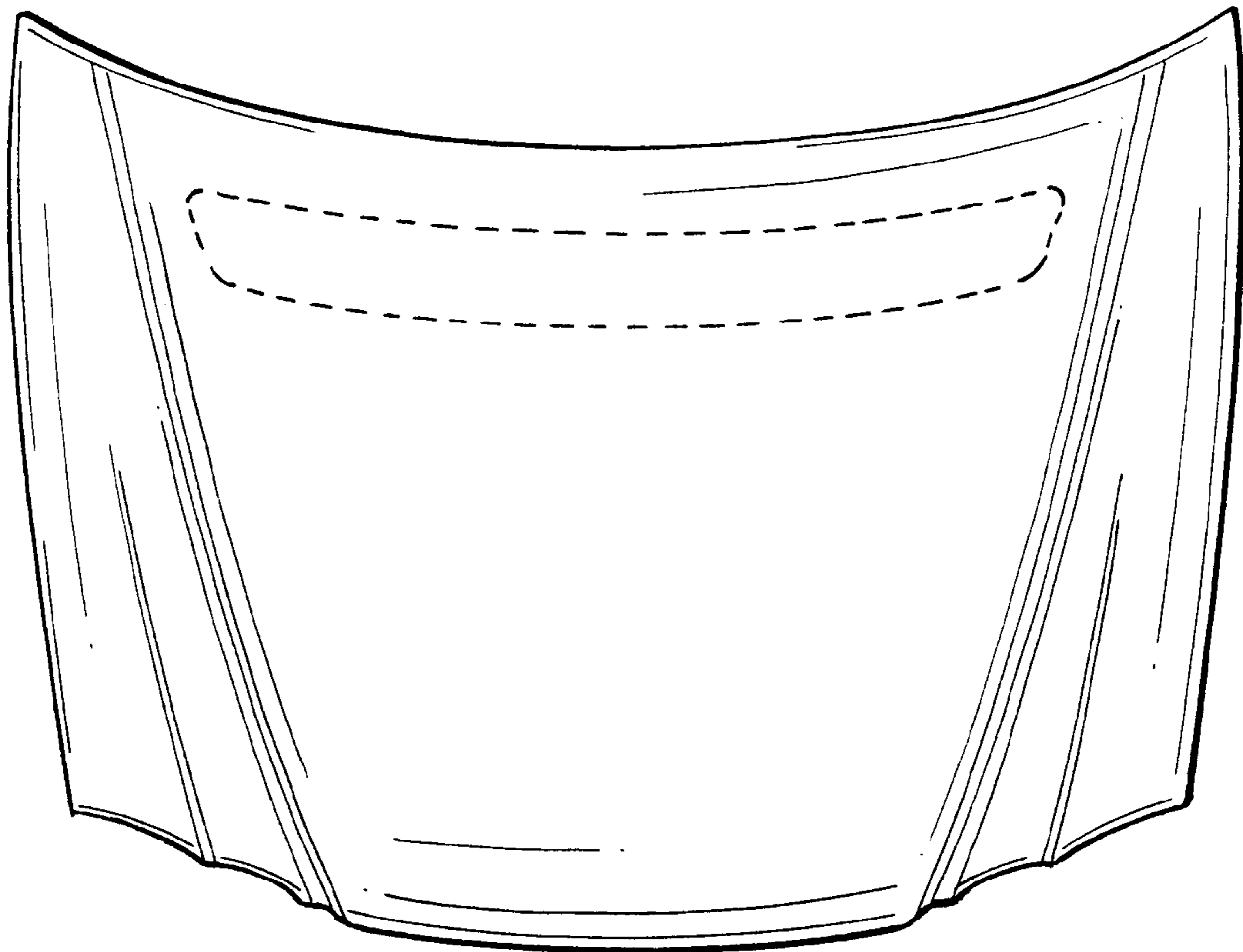
U.S. PATENT DOCUMENTS

D419,933 S	*	2/2000	Sacco et al.	D12/173
D422,252 S	*	4/2000	Sacco et al.	D12/173
D428,369 S	*	7/2000	Sacco et al.	D12/173
D444,747 S	*	7/2001	Pfeiffer	D12/173

The broken lines included depict environment and are not part of the claimed design.

* cited by examiner

1 Claim, 1 Drawing Sheet



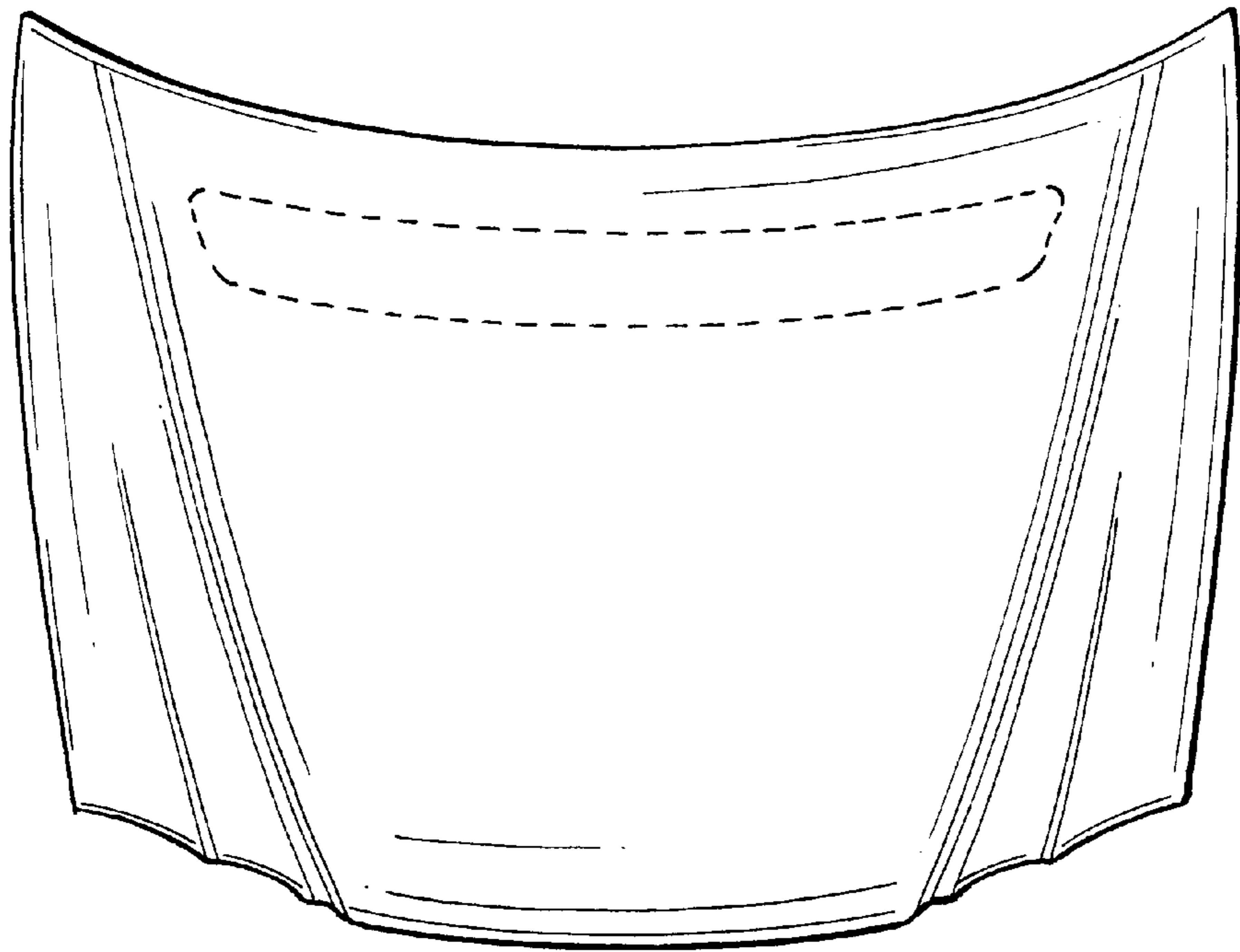


FIG. 1

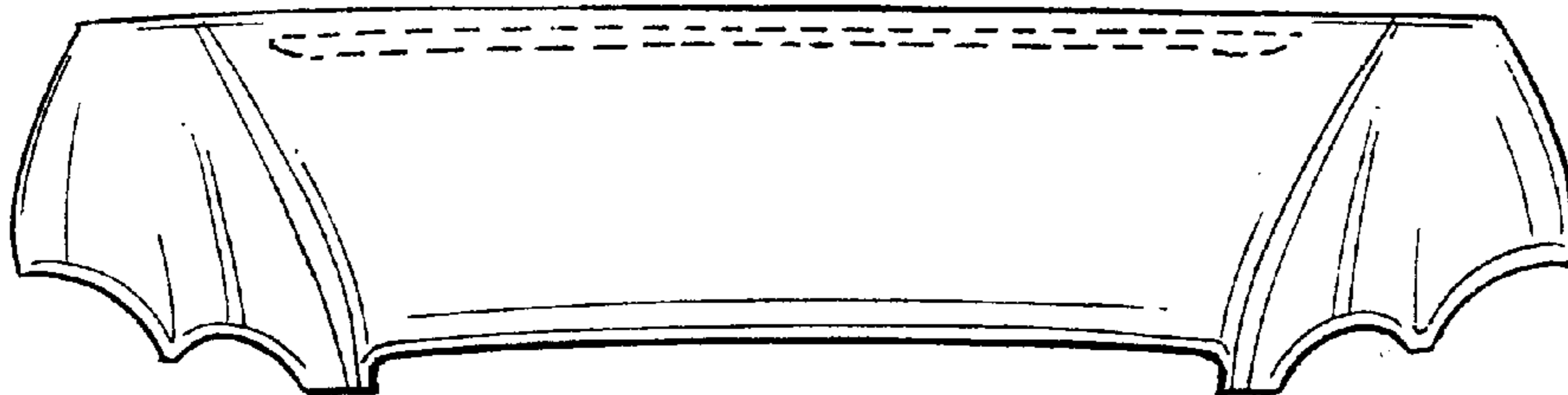


FIG. 2

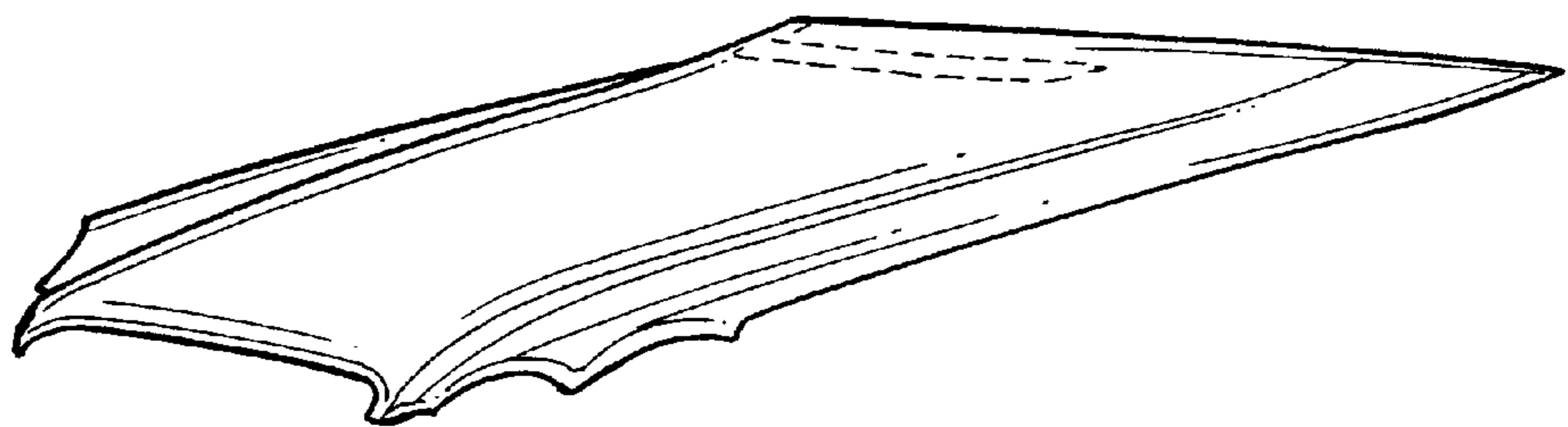


FIG. 3