



US00D459277S

(12) **United States Design Patent**
Huang

(10) **Patent No.:** **US D459,277 S**

(45) **Date of Patent:** **** Jun. 25, 2002**

(54) **RECREATIONAL CAR**

4,890,853 A * 1/1990 Olson 280/87.021
D341,109 S * 11/1993 Chuang D12/130

(76) Inventor: **Chih-Li Huang**, 58, Ma Yuan West St.,
Taichung (TW)

* cited by examiner

(**) Term: **14 Years**

Primary Examiner—Kay H. Chin

(21) Appl. No.: **29/131,714**

(57) **CLAIM**

(22) Filed: **Oct. 23, 2000**

The ornamental design for a recreational car, as shown and described.

(51) **LOC (7) Cl.** **12-12**

DESCRIPTION

(52) **U.S. Cl.** **D12/130**

(58) **Field of Search** D12/128-133;
D21/533, 534, 535; D6/333, 364; 297/5,
6

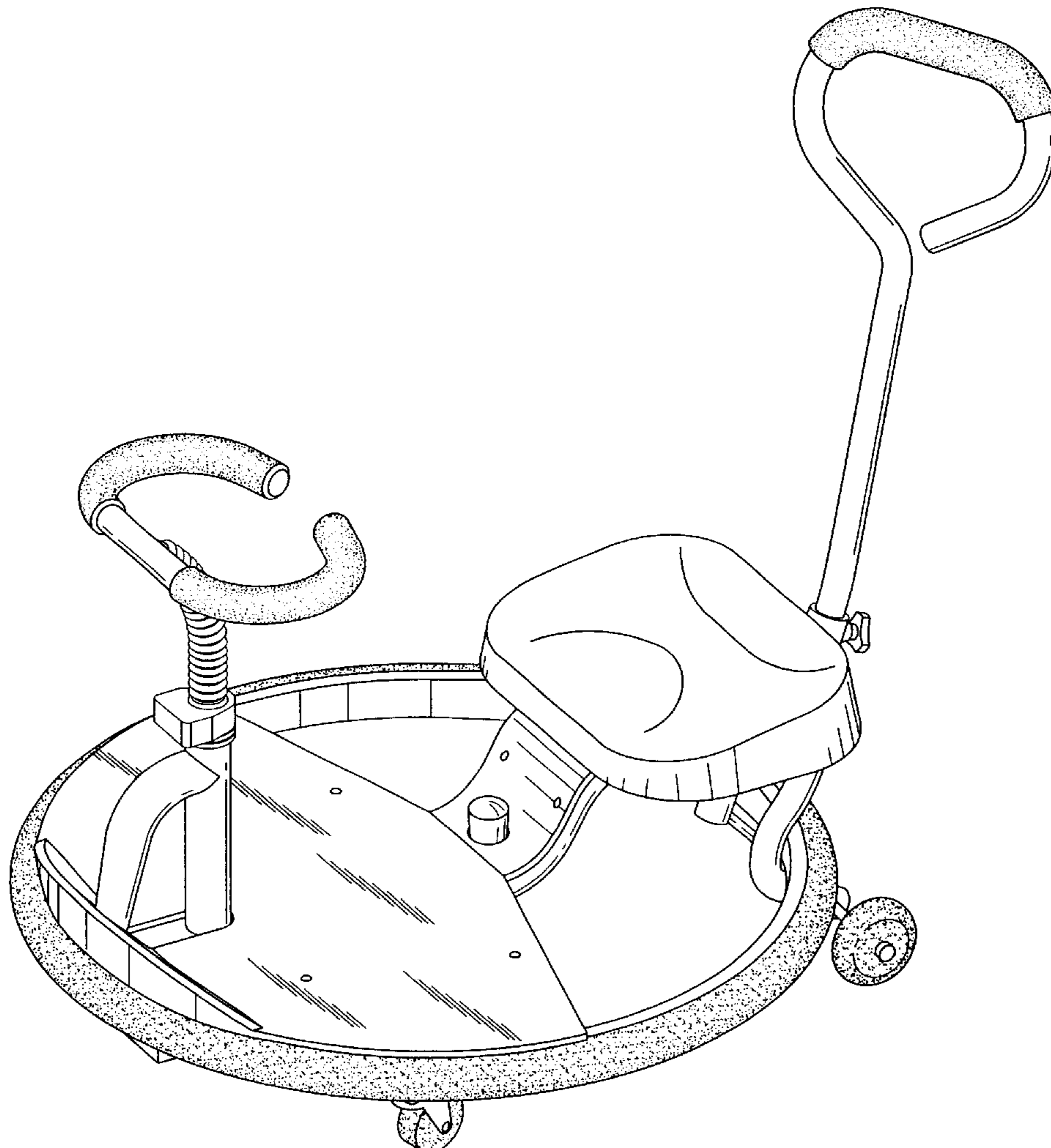
FIG. 1 is a perspective view of a recreational car showing my new design;
FIG. 2 is a front elevational view thereof;
FIG. 3 is a rear elevational view thereof;
FIG. 4 is a left side elevational view thereof.
FIG. 5 is a right side elevational view thereof;
FIG. 6 is a top plan view thereof; and,
FIG. 7 is a bottom plan view thereof.

(56) **References Cited**

U.S. PATENT DOCUMENTS

D112,384 S * 4/1938 Snell D12/130
D119,641 S * 3/1940 Sacheroff D12/130
D138,006 S * 2/1944 Wittenberg D12/130

1 Claim, 7 Drawing Sheets



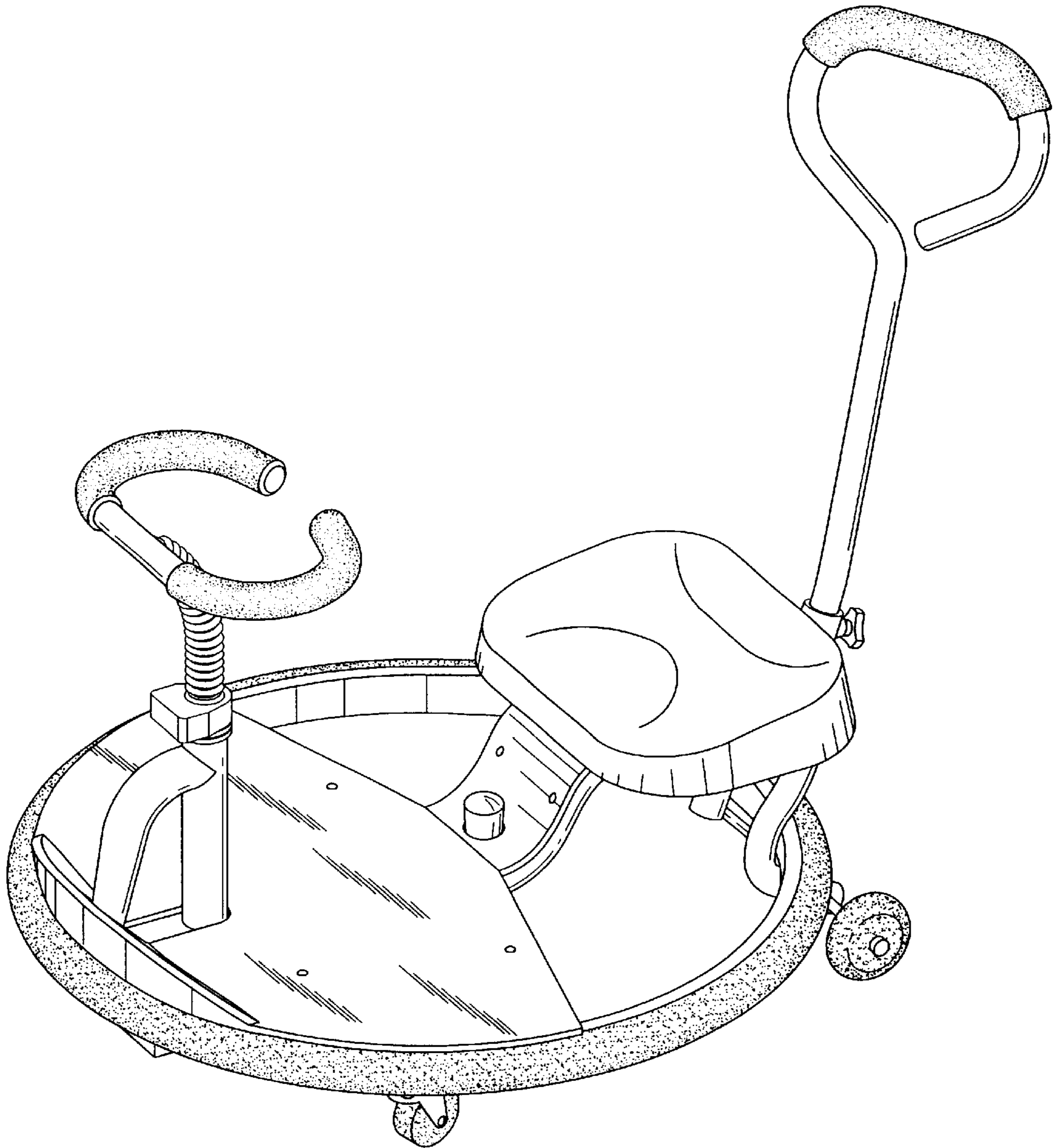


FIG.1

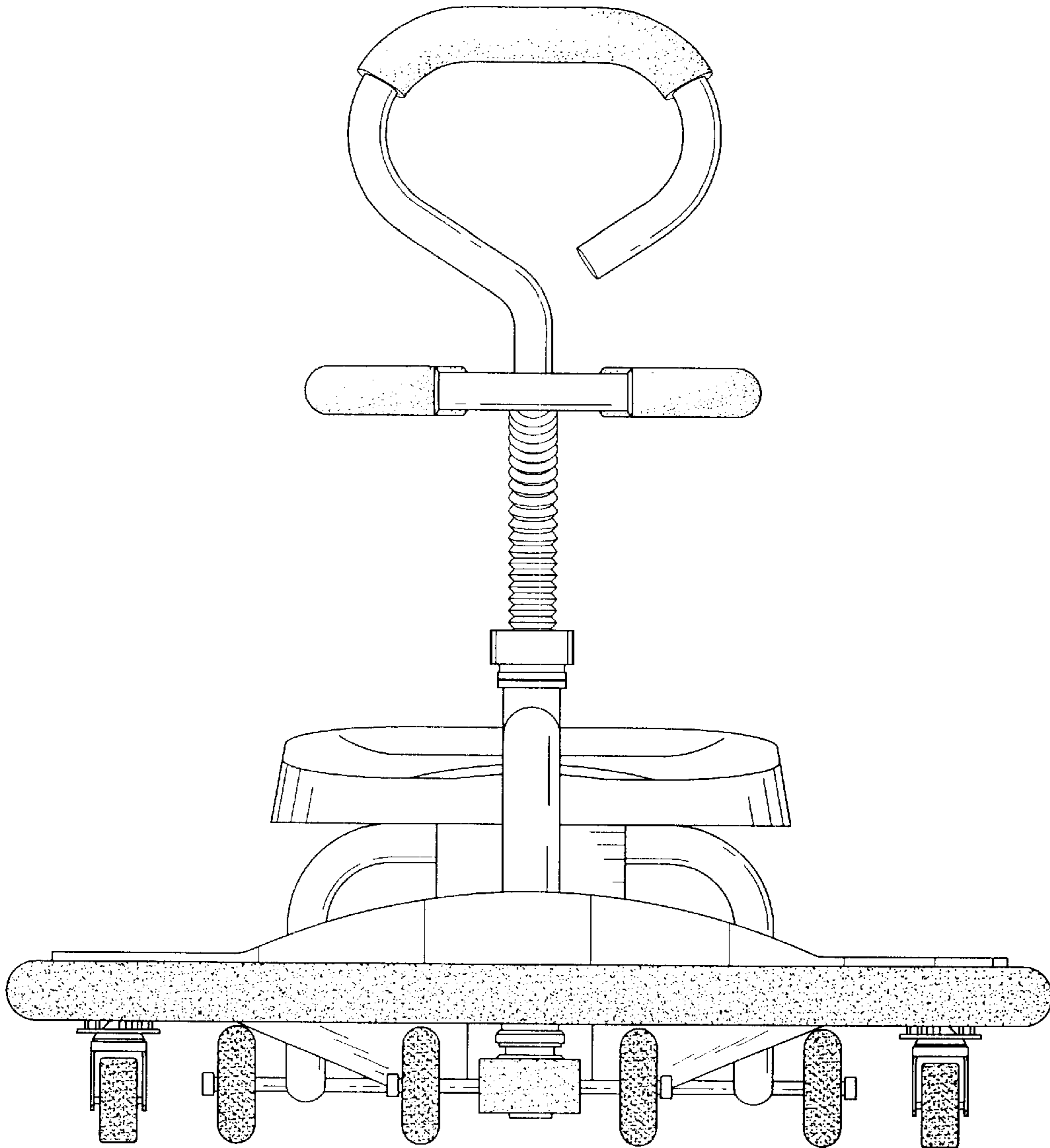


FIG. 2

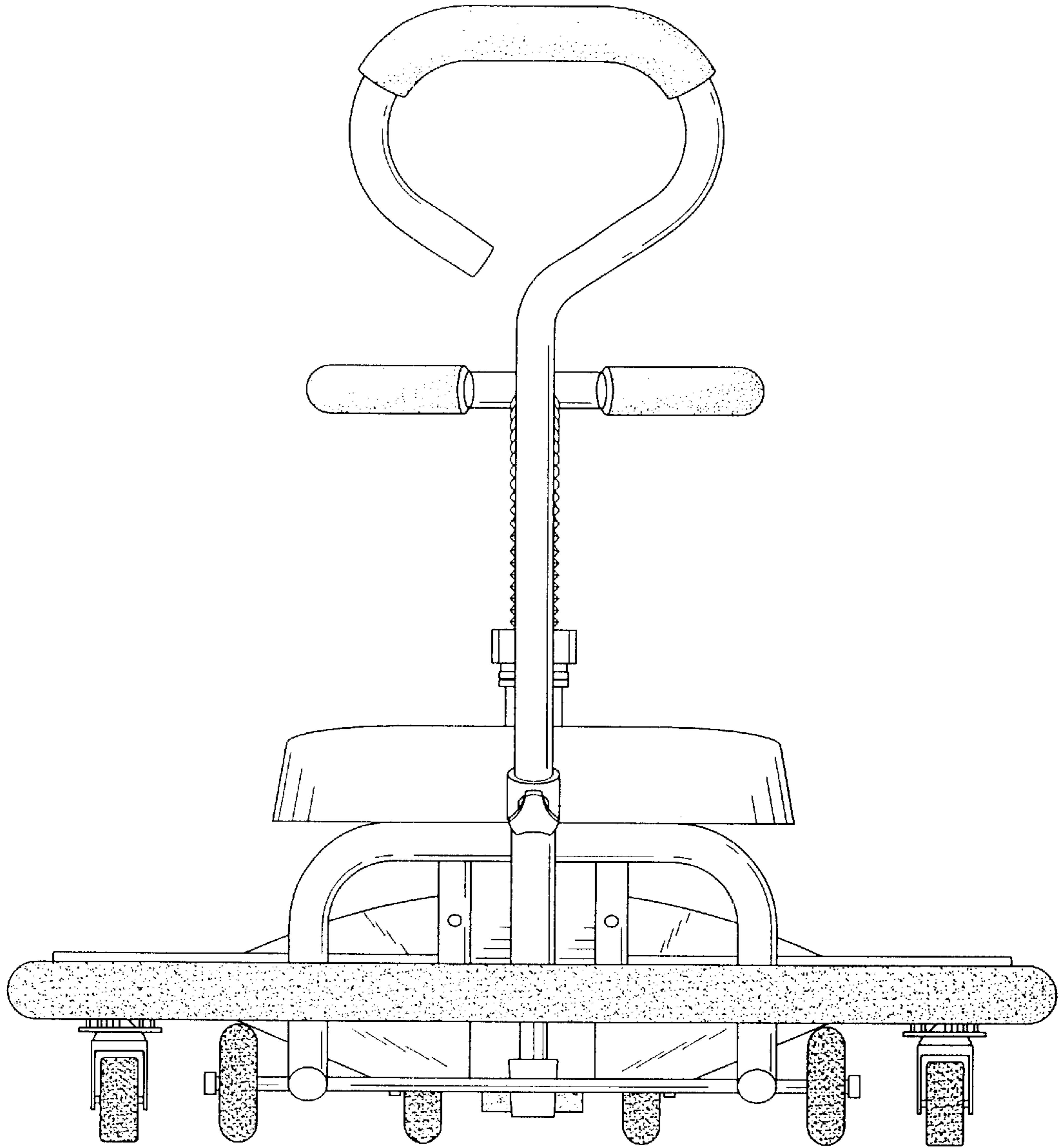


FIG. 3

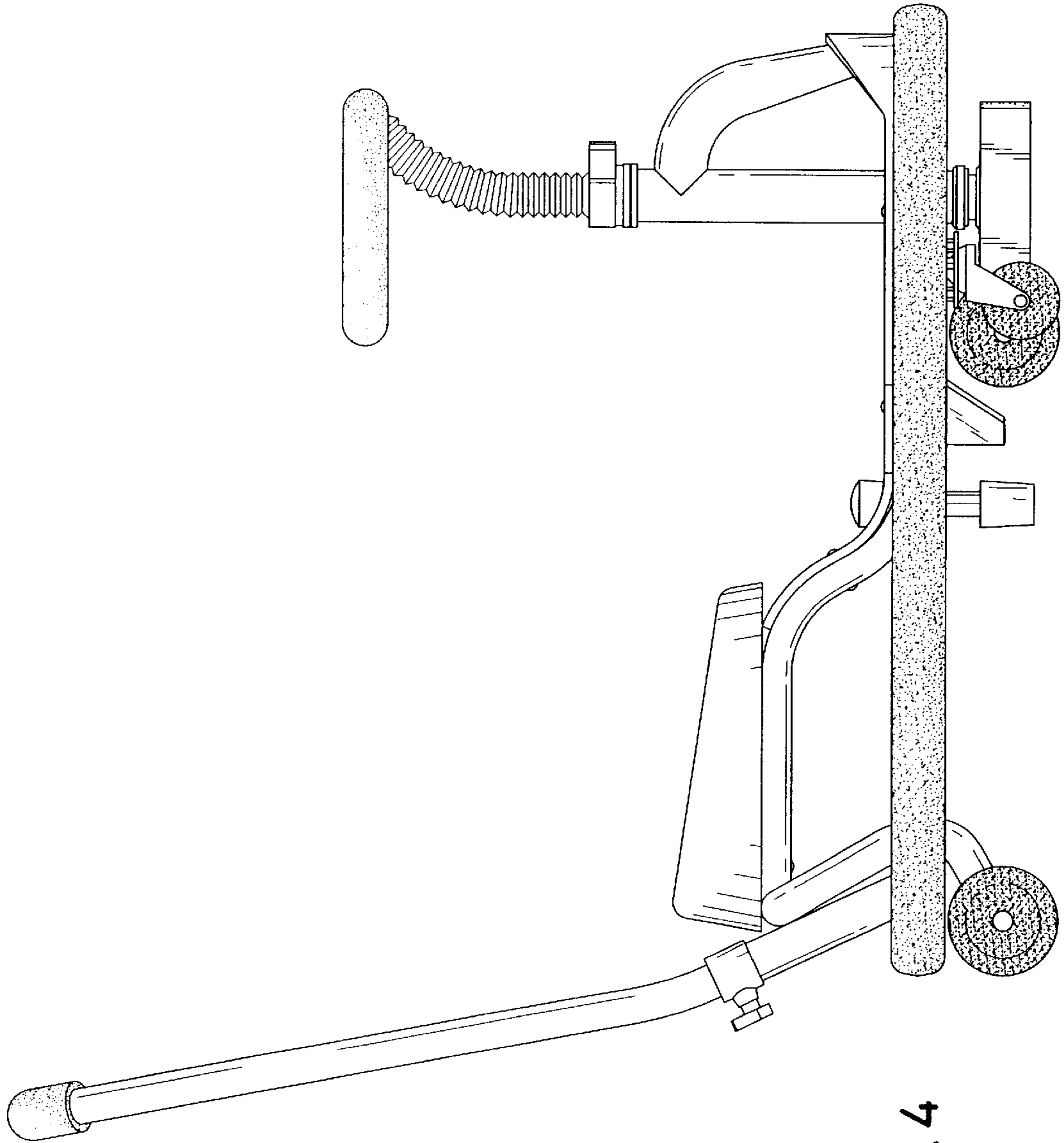
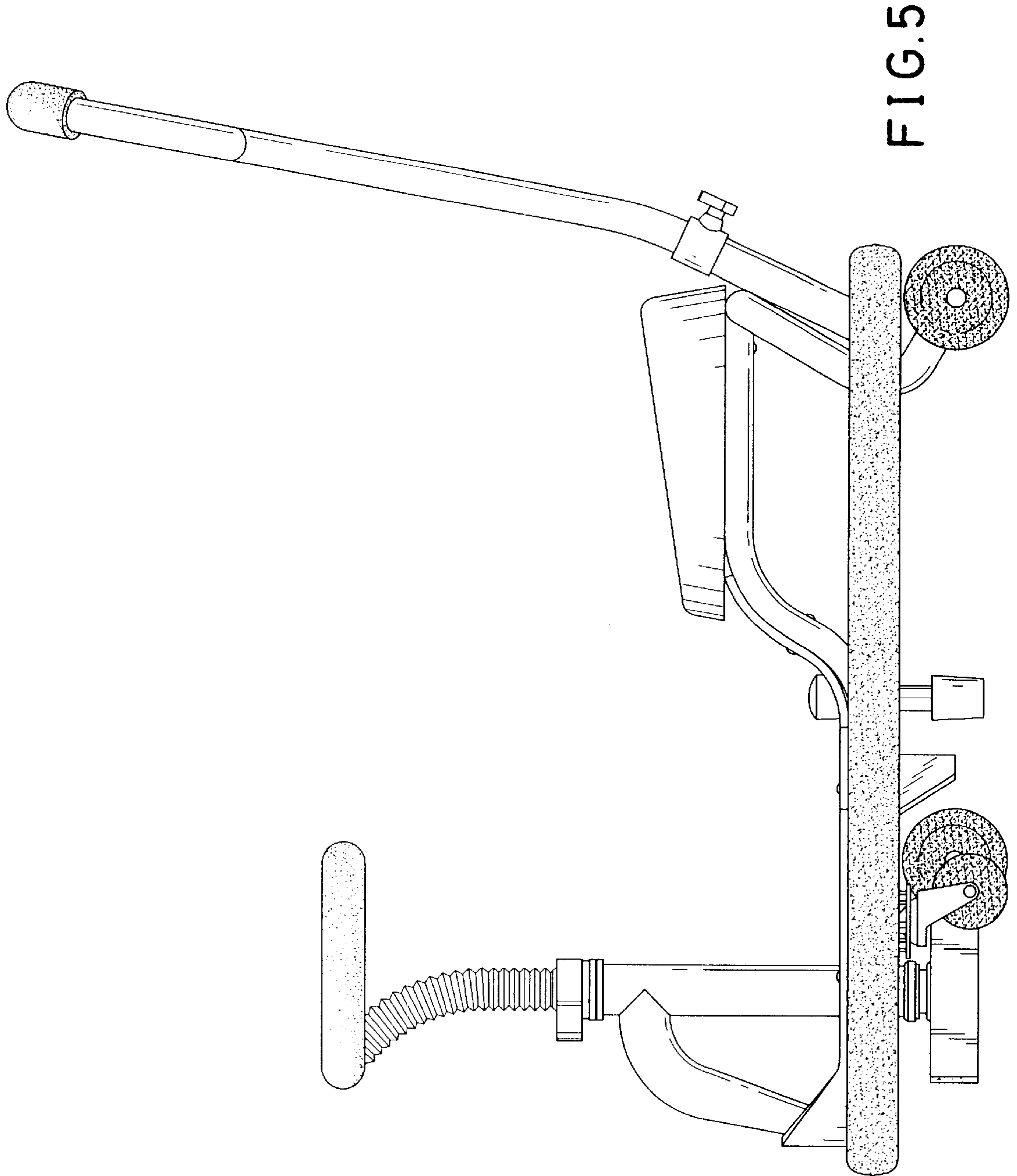


FIG. 4



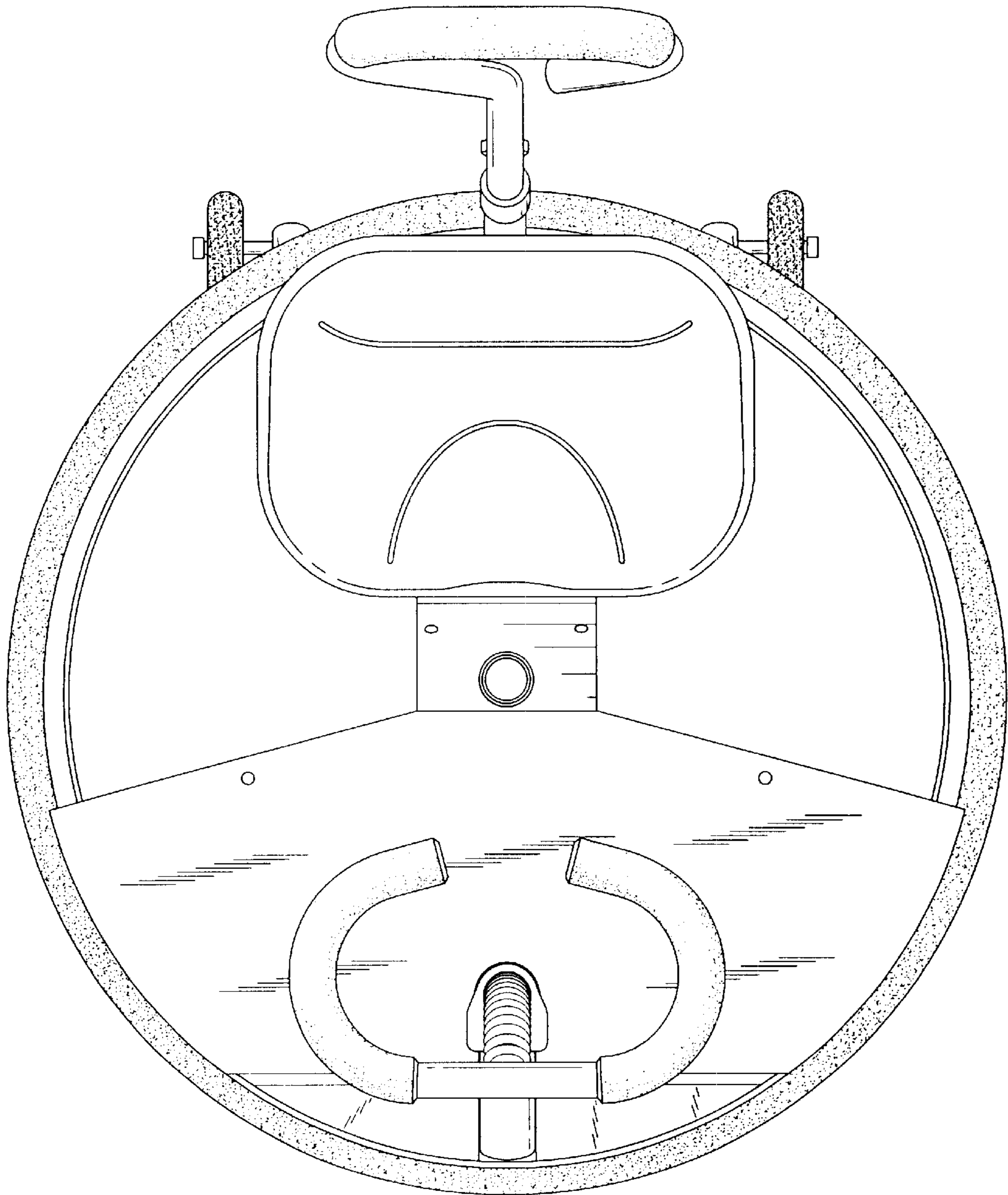


FIG. 6

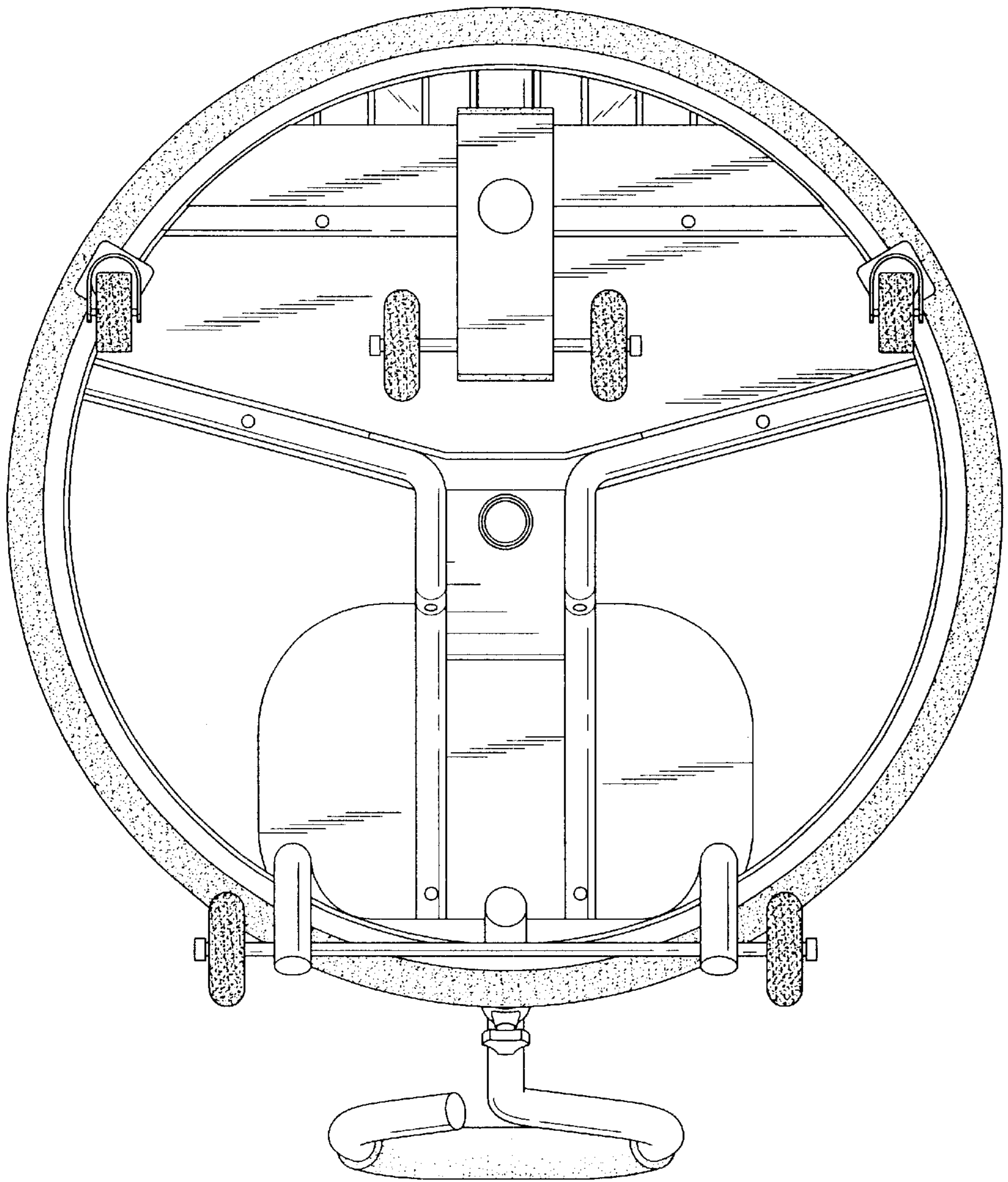


FIG. 7