



US00D459274S

(12) **United States Design Patent**  
**Warkuss et al.**

(10) **Patent No.:** **US D459,274 S**

(45) **Date of Patent:** **\*\* Jun. 25, 2002**

(54) **MOTOR VEHICLE BODY**

(75) Inventors: **Hartmut Warkuss**, Wolfsburg;  
**Gerhard Pfefferle**, Eichstatt; **Thomas  
Ingenlath**, Braunschweig; **Marc Lichte**,  
Braunschweig; **Chris Lesmana**,  
Braunschweig, all of (DE)

(73) Assignee: **Volkswagen Aktiengesellschaft**,  
Wolfsburg (DE)

(\*\*) Term: **14 Years**

(21) Appl. No.: **29/146,446**

(22) Filed: **Aug. 10, 2001**

(51) **LOC (7) Cl.** ..... **12-08**

(52) **U.S. Cl.** ..... **D12/92**

(58) **Field of Search** ..... D12/90-92, 86;  
296/185

(56) **References Cited**

**U.S. PATENT DOCUMENTS**

D402,595 S	*	12/1998	Tamura	.....	D12/92
D421,934 S	*	3/2000	Hunter et al.	.....	D12/92
D430,066 S	*	8/2000	Koman	.....	D12/92
D438,492 S	*	3/2001	Nishihata et al.	.....	D12/92

\* cited by examiner

*Primary Examiner*—Melody N. Brown

(74) *Attorney, Agent, or Firm*—Stevens, Davis, Miller &  
Mosher, LLP

(57) **CLAIM**

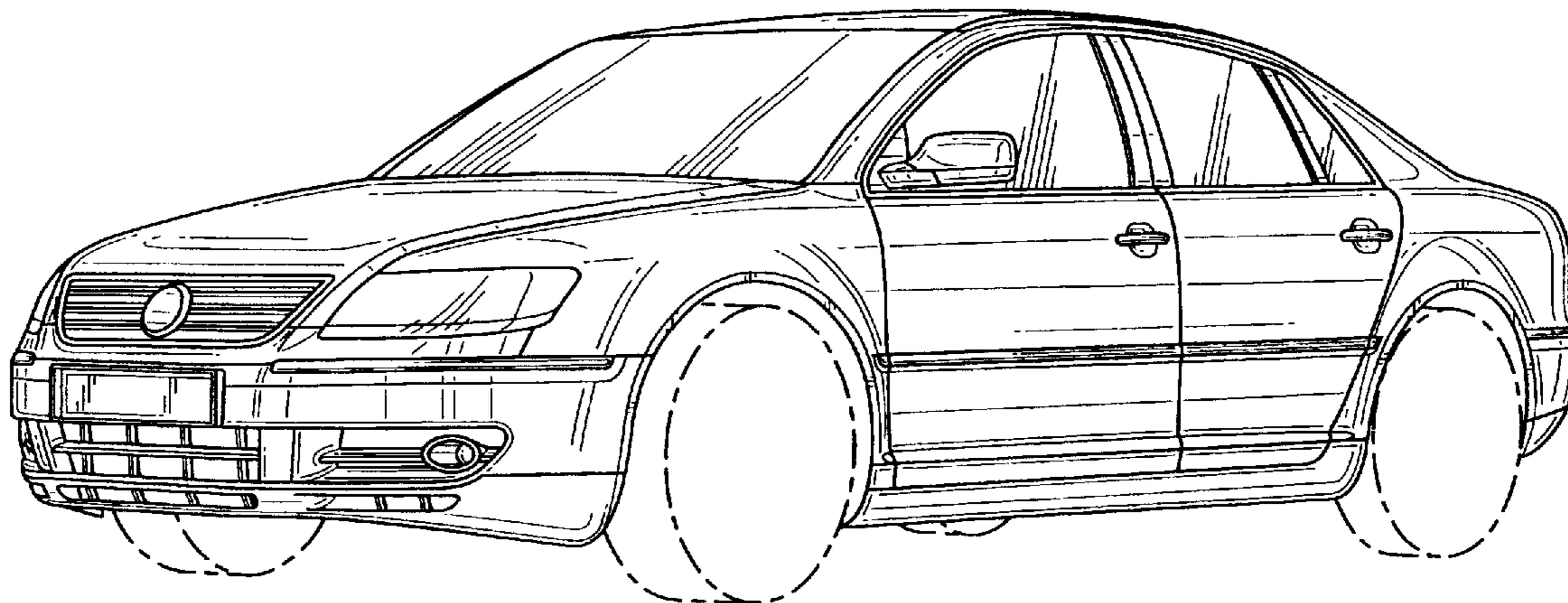
The ornamental design for a motor vehicle body, as shown  
and described.

**DESCRIPTION**

FIG. 1 is a left-front perspective view of a motor vehicle  
according to our novel design;  
FIG. 2 is a right-rear perspective view of a motor vehicle  
according to our novel design;  
FIG. 3 is a front view of a motor vehicle according to our  
novel design;  
FIG. 4 is a rear view of a motor vehicle according to our  
novel design;  
FIG. 5 is a left side view of a motor vehicle according to our  
novel design;  
FIG. 6 is a right side view of a motor vehicle according to  
our novel design; and,  
FIG. 7 is a top view of a motor vehicle according to our  
novel design.

The left and right side views are substantially mirror sym-  
metrical in general appearance to each other.  
The bottom view is not ornamental and forms no part of the  
claimed design.

**1 Claim, 6 Drawing Sheets**



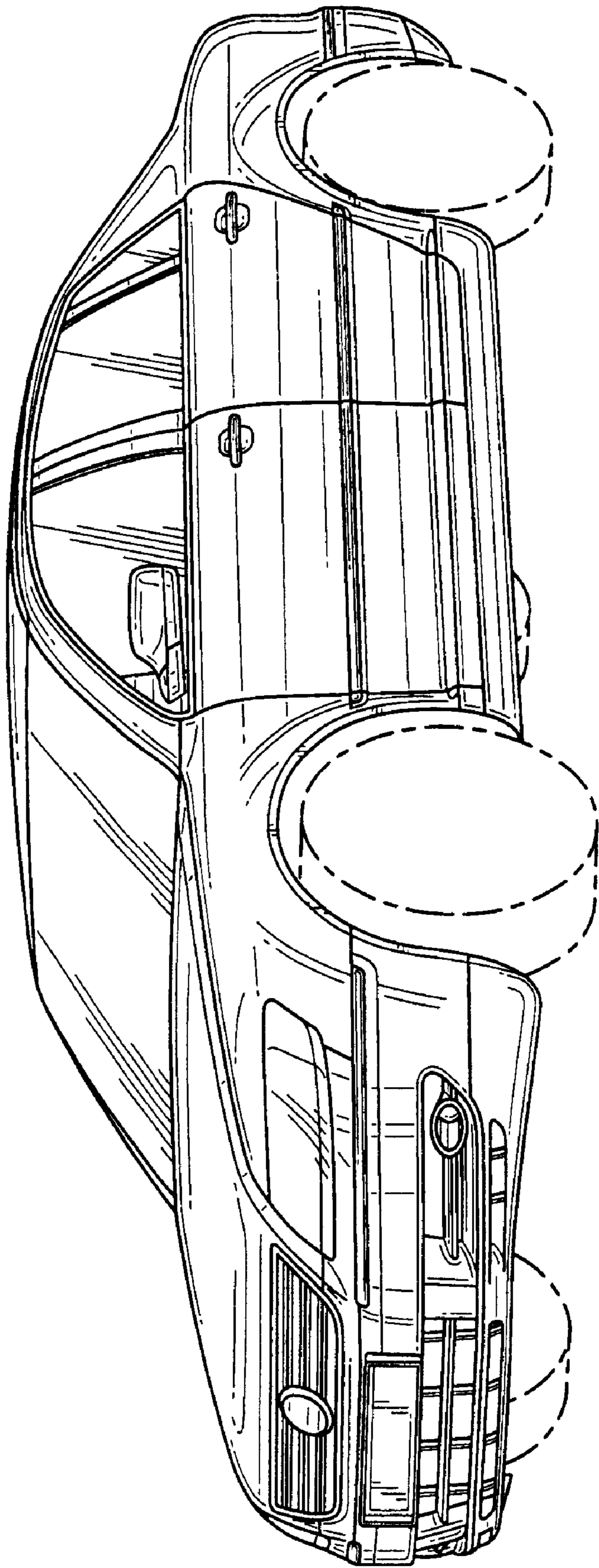


FIG. 1

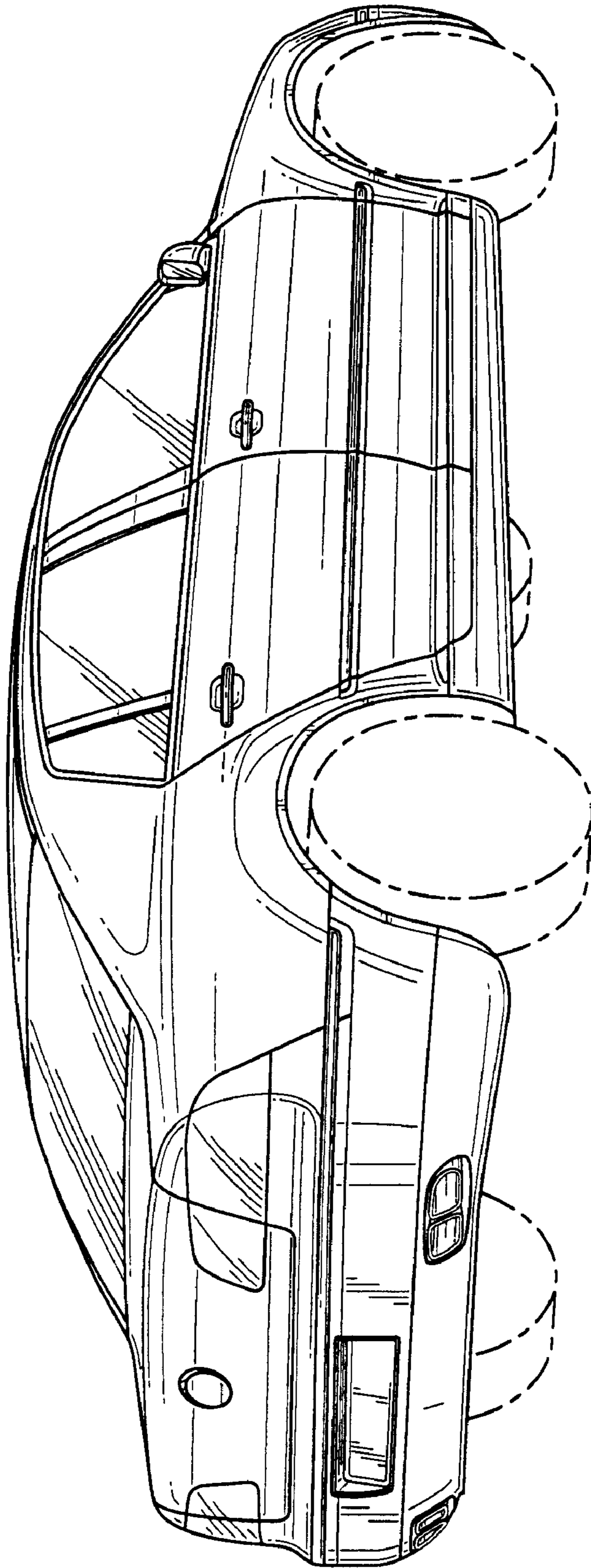


FIG. 2

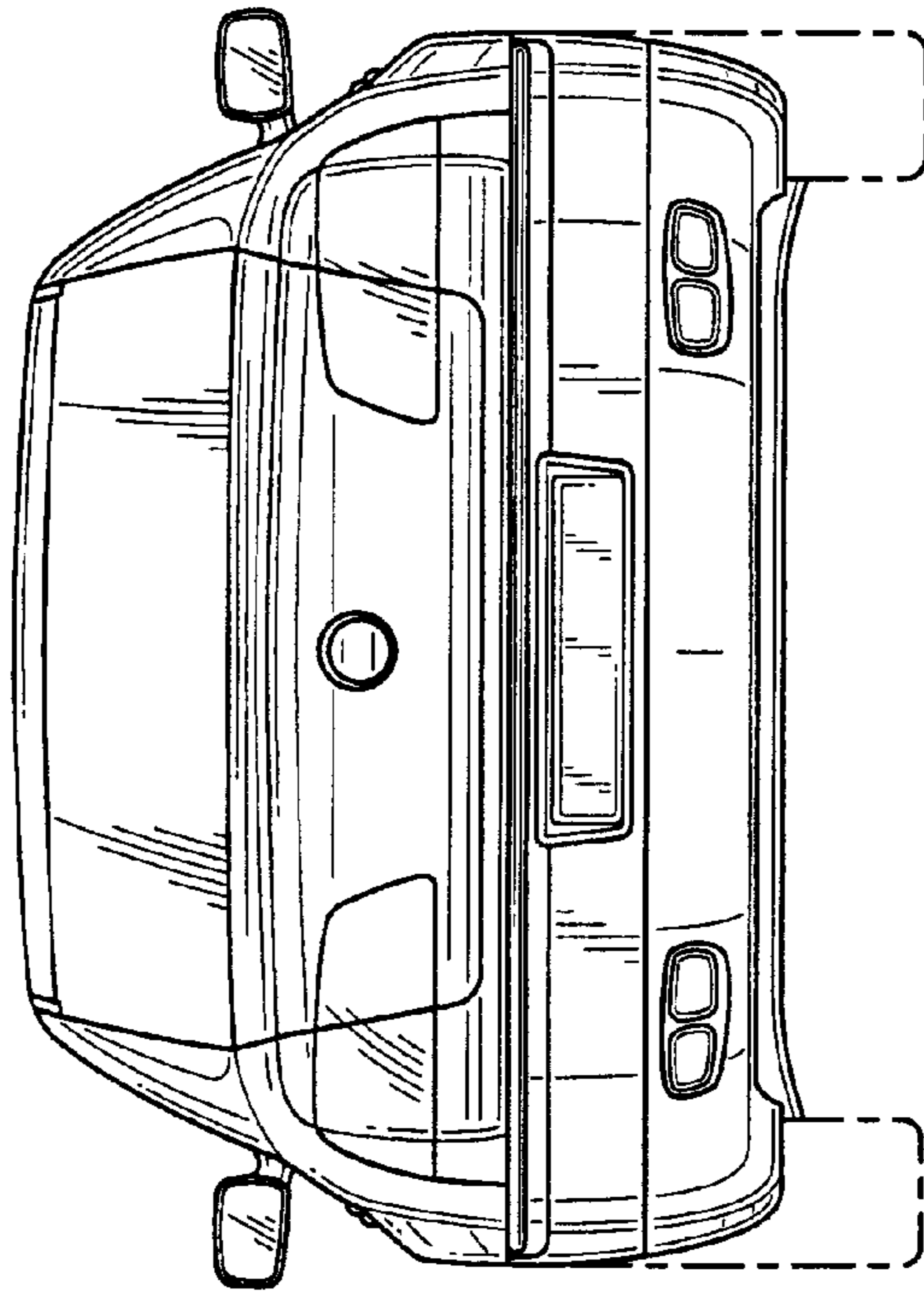


FIG. 4

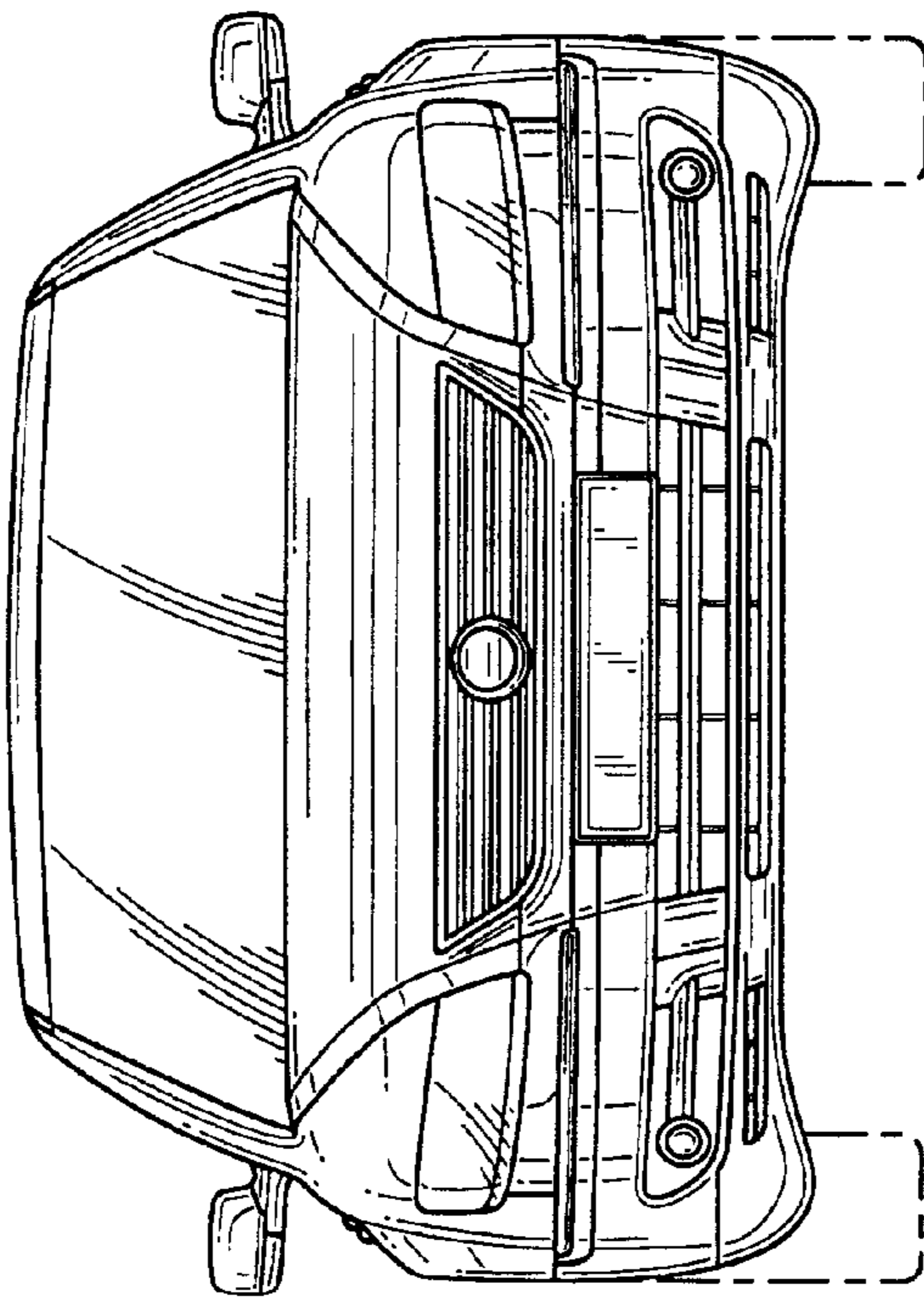


FIG. 3

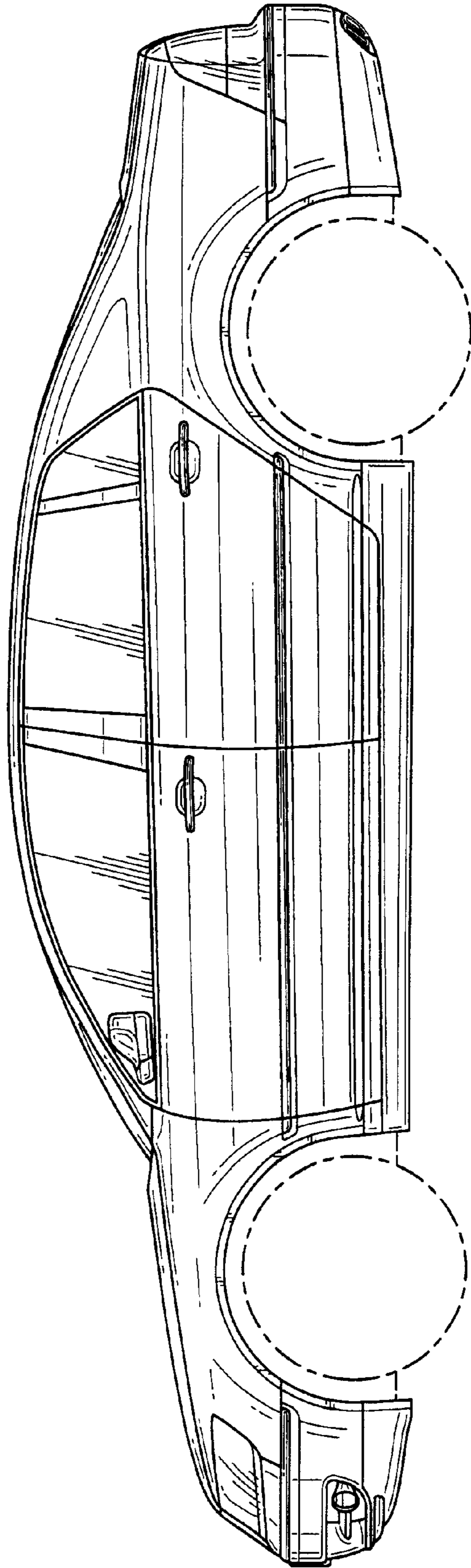


FIG. 5

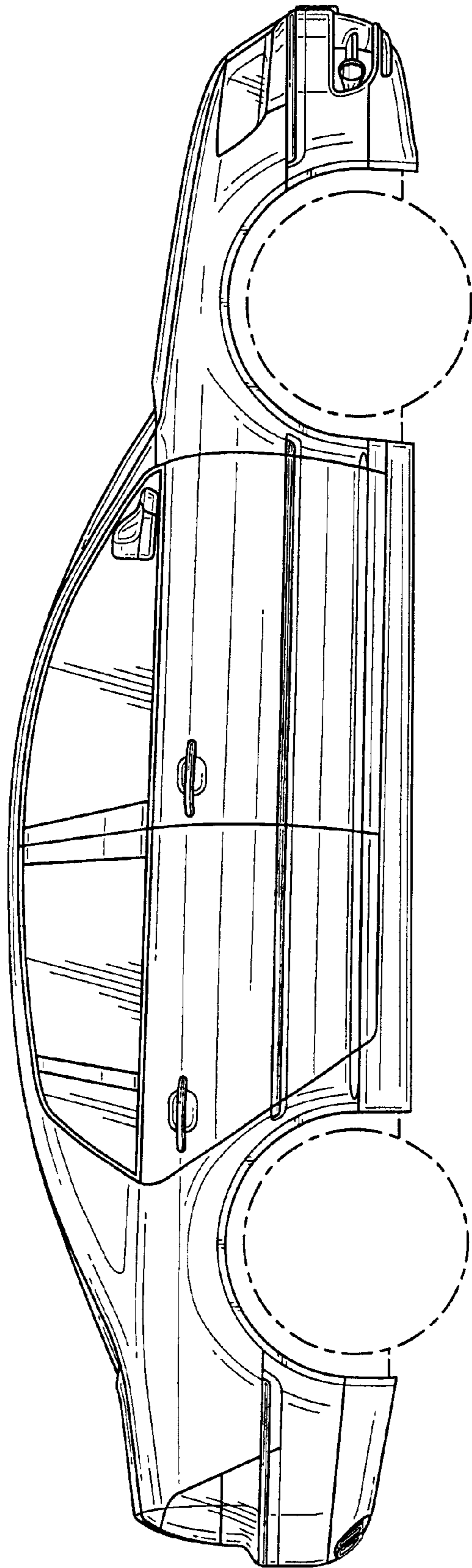


FIG. 6

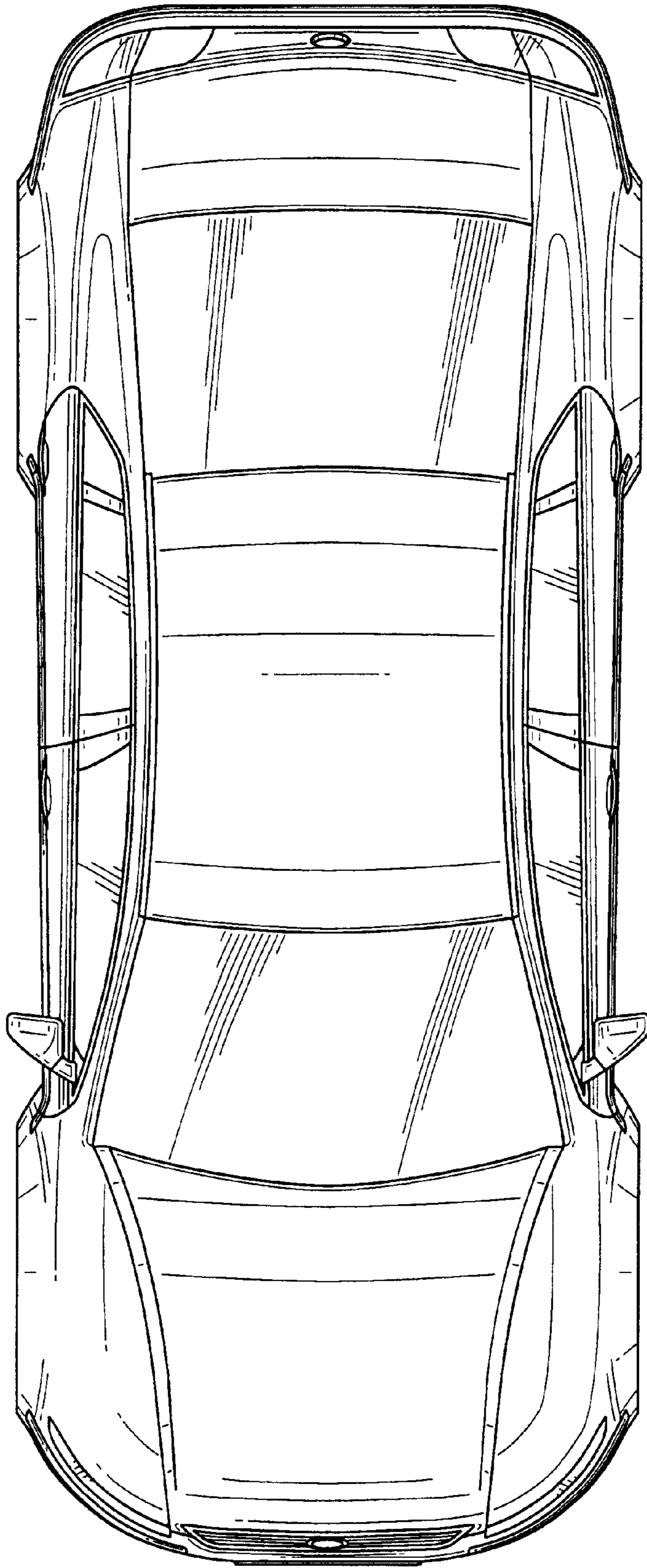


FIG. 7