



US00D459267S

(12) **United States Design Patent**  
**Takahashi**

(10) **Patent No.:** **US D459,267 S**

(45) **Date of Patent:** **\*\* Jun. 25, 2002**

(54) **ORNAMENT FOR A WATCH**

(75) Inventor: **Morio Takahashi**, Yokohama (JP)

(73) Assignees: **Keiko Sakata**, Tokyo (JP); **Royal Gem Co. b.v.b.a.**, Antwerp (BE)

(\*\*) Term: **14 Years**

(21) Appl. No.: **29/143,739**

(22) Filed: **Jun. 20, 2001**

(30) **Foreign Application Priority Data**

Dec. 20, 2000 (JP) ..... 2000-036436

(51) **LOC (7) Cl.** ..... **11-01**

(52) **U.S. Cl.** ..... **D11/86**

(58) **Field of Search** ..... D11/1-25, 93-95,  
D11/36, 86; 59/78-84; 63/1.1-5.2, 9, 11,  
38; D10/32; 224/175; D21/486

(56) **References Cited**

**U.S. PATENT DOCUMENTS**

- D62,427 S \* 5/1923 Stuetzel et al. .... D11/79
- 2,052,381 A \* 8/1936 Chernow ..... 63/4
- D123,684 S \* 11/1940 Sand ..... D11/15
- D161,074 S \* 11/1950 Wolfden ..... D11/13

- D313,571 S \* 1/1991 Brom ..... D11/86
- D384,990 S \* 10/1997 Riis ..... D21/486
- D388,356 S \* 12/1997 Lucas, II et al. .... D11/86
- D428,825 S \* 8/2000 Wiseman ..... D11/87

\* cited by examiner

*Primary Examiner*—Ralf Seifert

(57) **CLAIM**

The ornamental design for an ornament for a watch, as shown and described.

**DESCRIPTION**

FIG. 1 is a front view of an ornament for a watch showing my new design;  
 FIG. 2 is a rear view thereof;  
 FIG. 3 is a right side elevational view thereof;  
 FIG. 4 is a top plan view thereof;  
 FIG. 5 is a bottom plan view thereof;  
 FIG. 6 is an enlarged cross-sectional view thereof taken along 1—1 as shown in FIG. 1; and,  
 FIG. 7 is a reference drawing thereof with the environment of the invention set forth in broken lines.  
 Features shown in broken lines depict the environment and do not form a part of the claimed design.

**1 Claim, 4 Drawing Sheets**

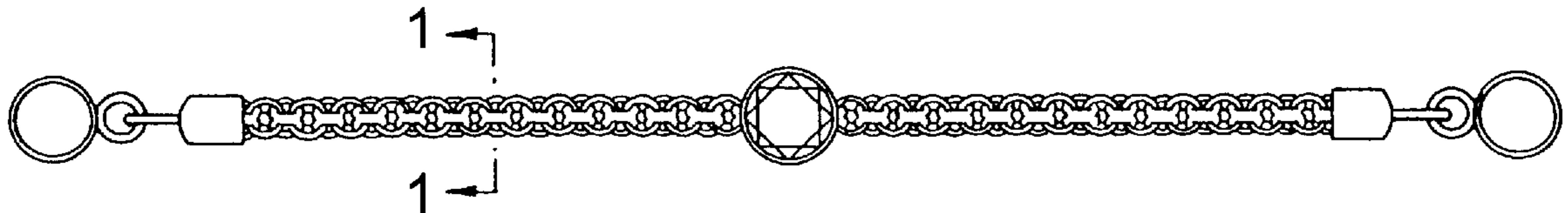


FIG. 1

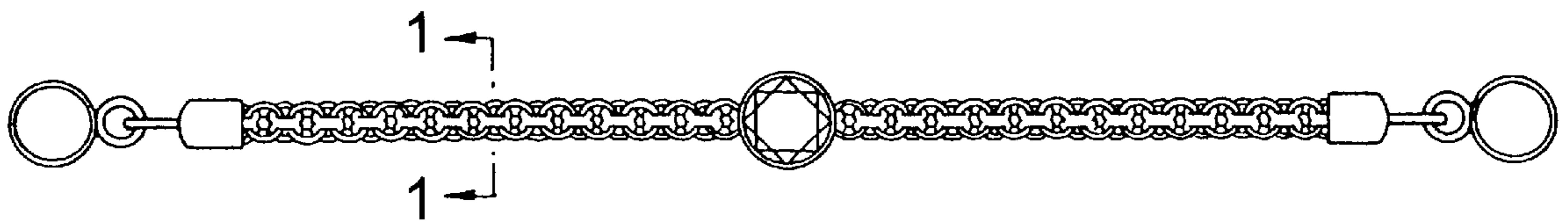


FIG. 2



FIG. 3

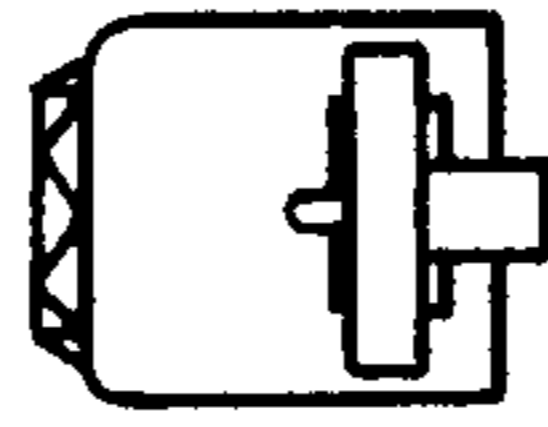


FIG. 6

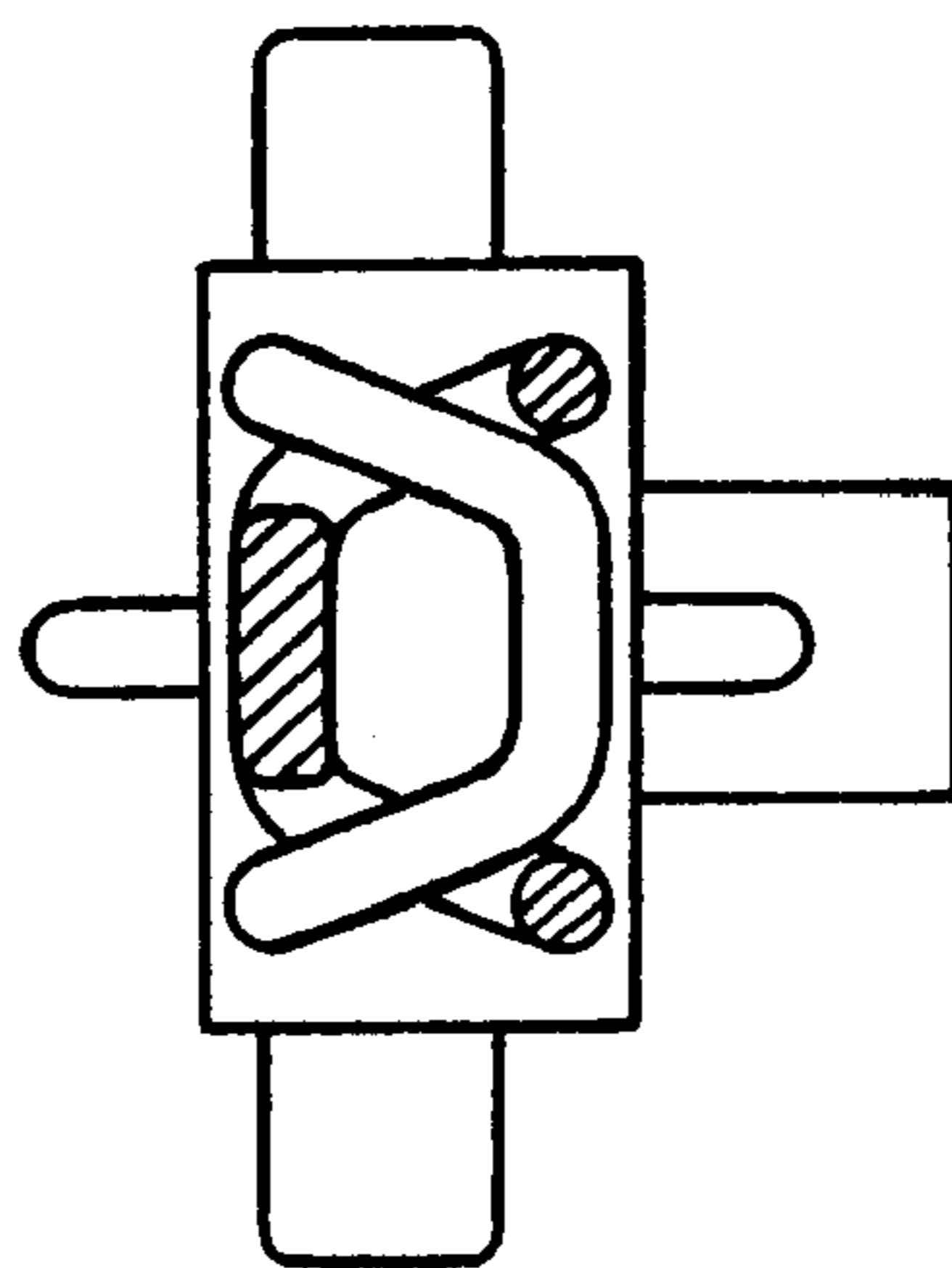


FIG. 4

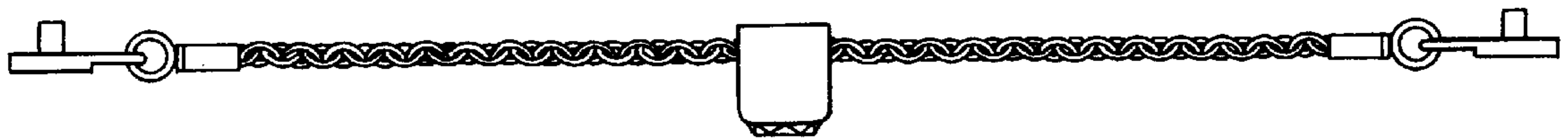


FIG. 5

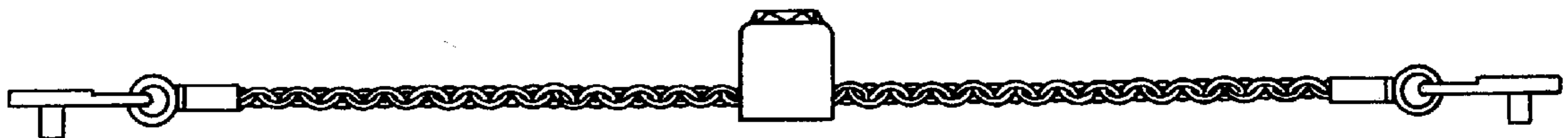


FIG. 7

