



US00D459264S

(12) **United States Design Patent**
Wong

(10) **Patent No.:** **US D459,264 S**

(45) **Date of Patent:** **** Jun. 25, 2002**

(54) **PASSIVE INFRARED DETECTOR**

D434,992 S * 12/2000 Hiller et al. D10/106
D438,133 S * 2/2001 Leen D10/106

(75) Inventor: **Leung Nam Wong**, Kowloon (HK)

* cited by examiner

(73) Assignee: **Intermatic Incorporated**, Spring Grove, IL (US)

Primary Examiner—Marcus A. Jackson

(**) Term: **14 Years**

(74) *Attorney, Agent, or Firm*—Brinks Hofer Gilson & Lione

(21) Appl. No.: **29/150,648**

(57) **CLAIM**

(22) Filed: **Nov. 14, 2001**

The ornamental design for a passive infrared detector, as shown and described.

(51) **LOC (7) Cl.** **10-05**

DESCRIPTION

(52) **U.S. Cl.** **D10/106**

(58) **Field of Search** D10/104, 106,
D10/116, 121; 340/521, 540, 541, 543,
545, 555, 571, 572, 573

FIG. 1 is a front perspective view of my new, original and ornamental design for a passive infrared detector; FIG. 2 is a front view of the detector of FIG. 1; FIG. 3 is a back view of the detector of FIG. 1; FIG. 4 is a side view of the detector of FIG. 1, with the opposite side being a mirror image thereof; and, FIG. 5 is a top view of the detector of FIG. 1.

(56) **References Cited**

U.S. PATENT DOCUMENTS

D427,101 S * 6/2000 Leen D10/106
D428,581 S * 7/2000 Hiller et al. D10/106

1 Claim, 1 Drawing Sheet

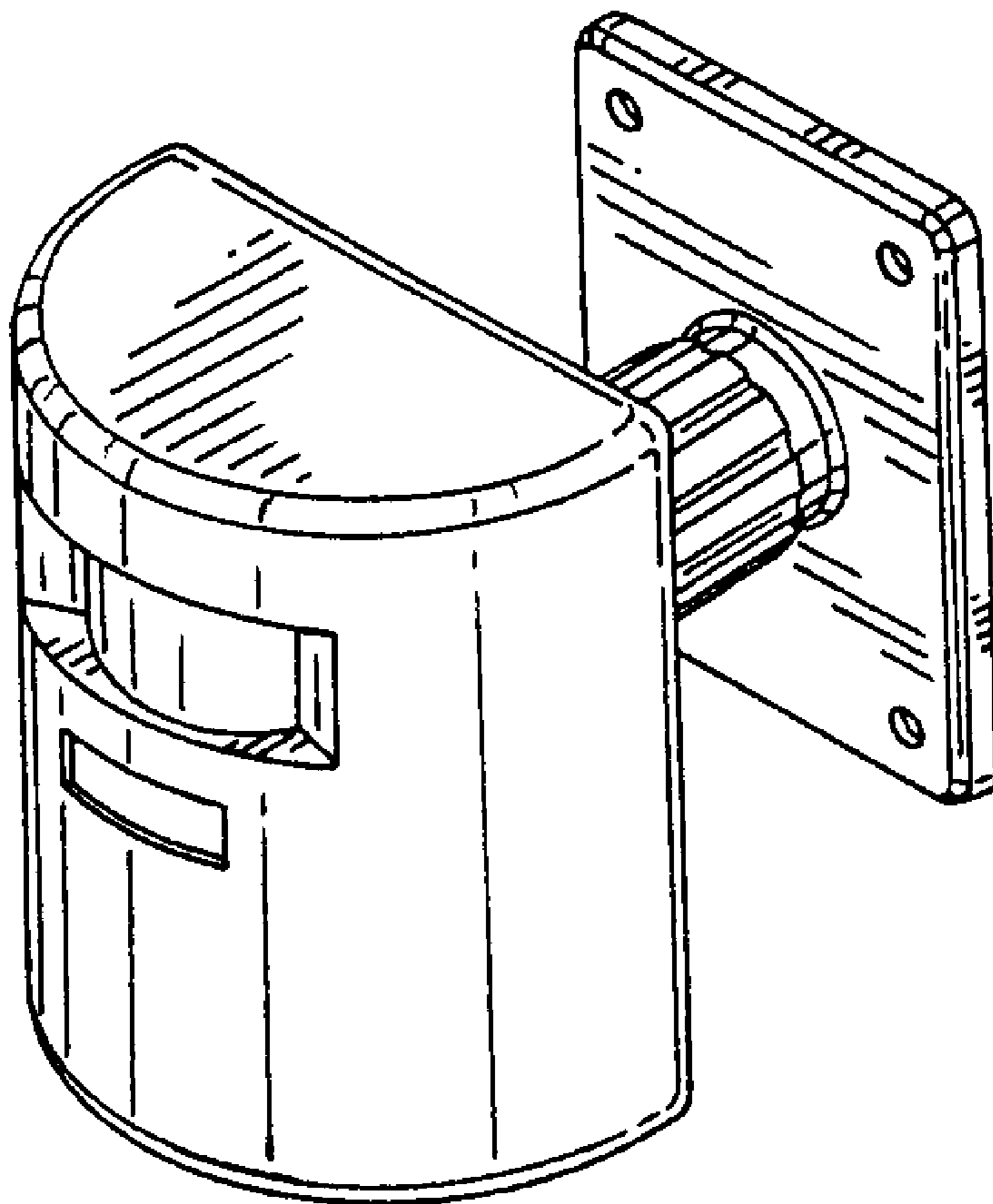


FIG. 1

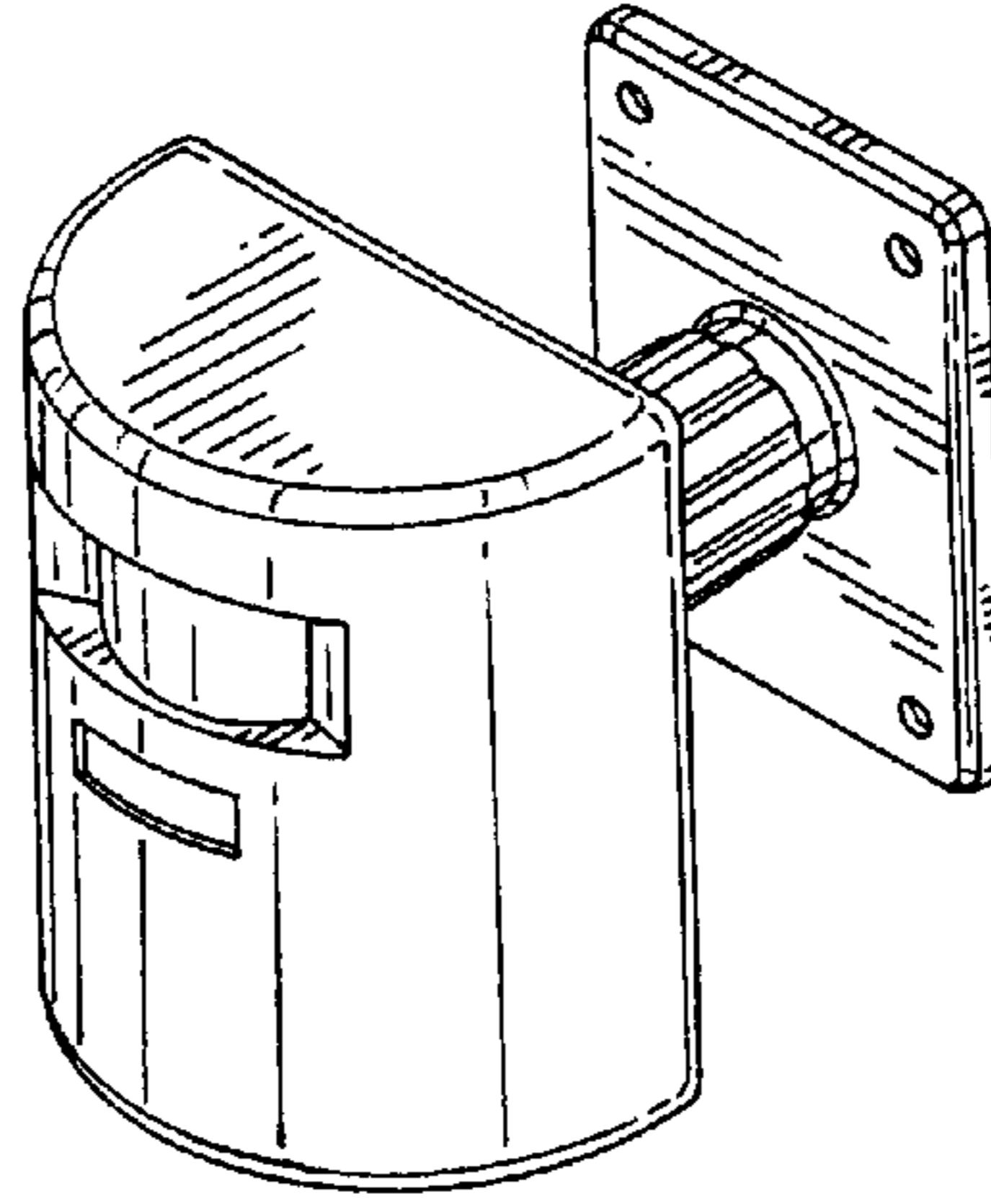


FIG. 2

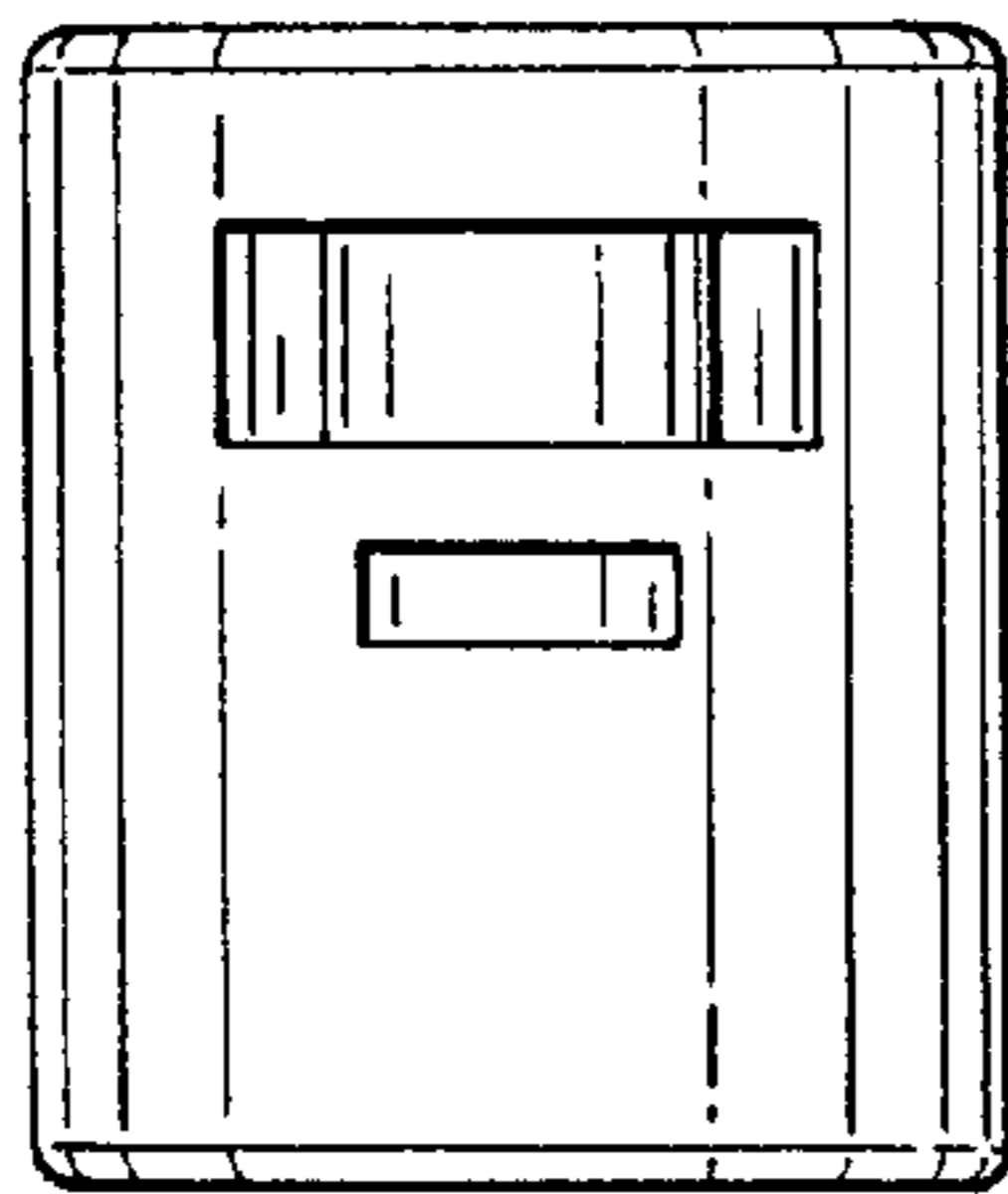


FIG. 3

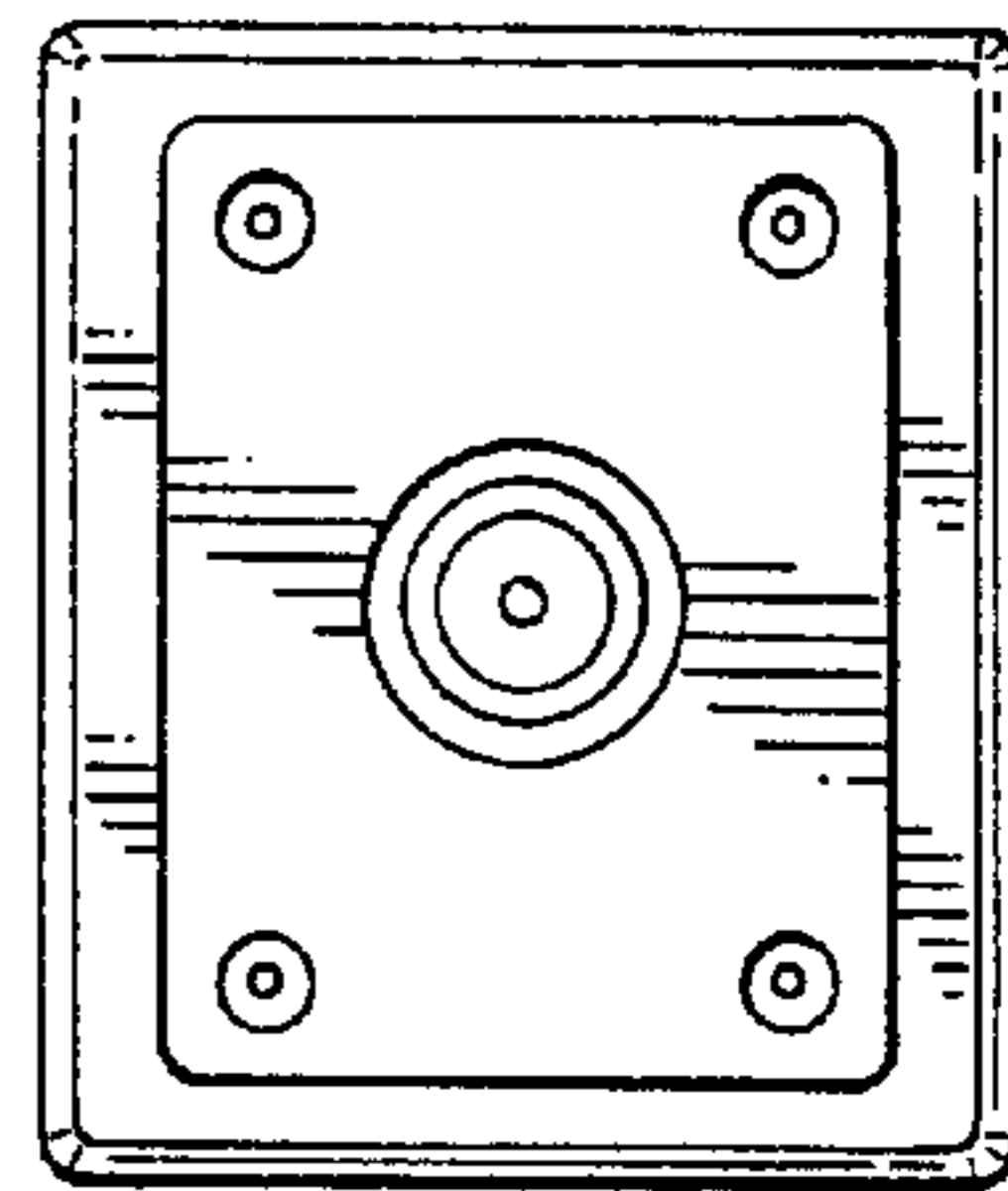


FIG. 4

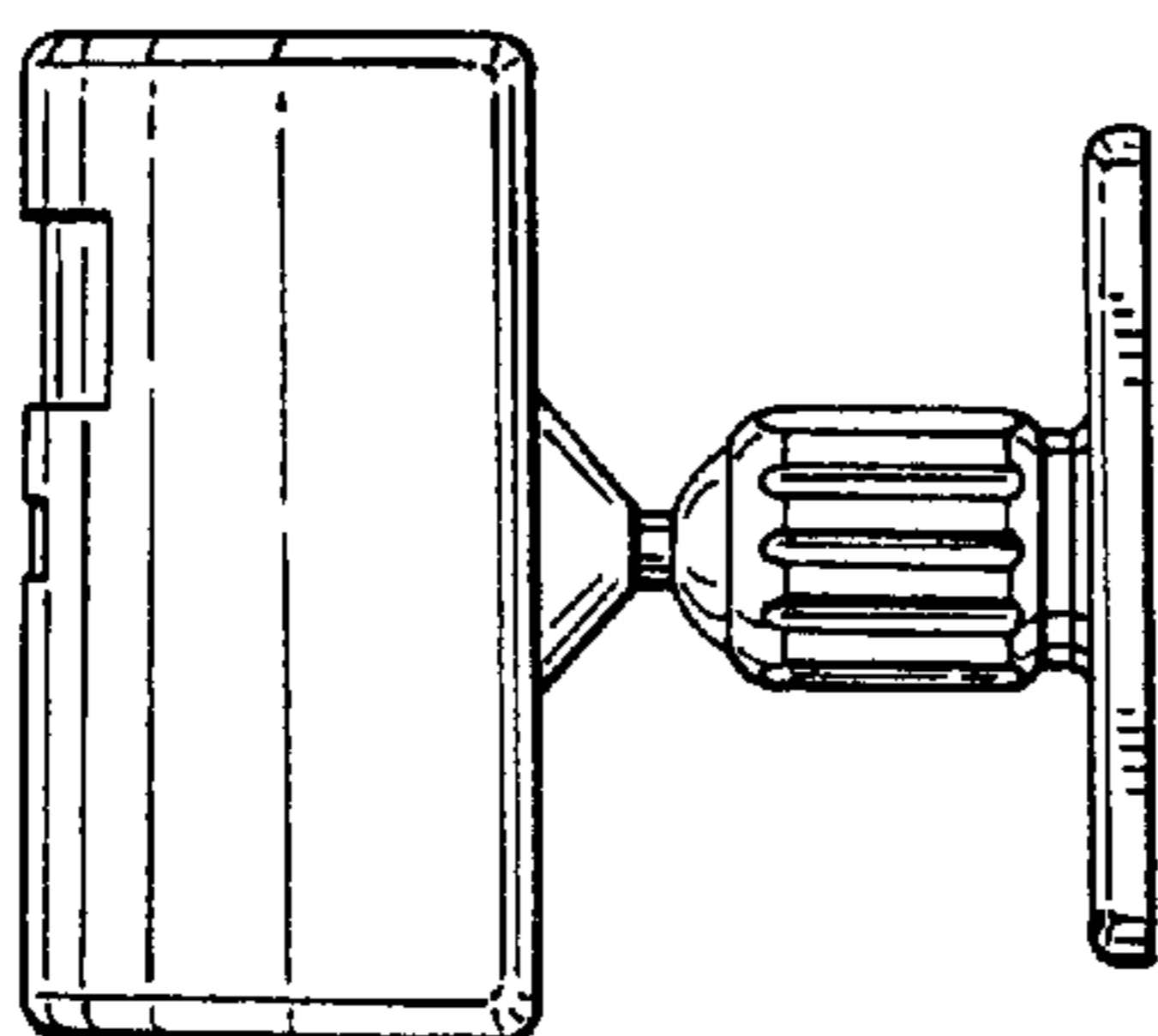


FIG. 5

