



US00D459261S

(12) **United States Design Patent**
DeCosse

(10) **Patent No.:** **US D459,261 S**

(45) **Date of Patent:** **** Jun. 25, 2002**

(54) **SIGNALING UNIT**

(75) Inventor: **Jean DeCosse**, Chirens (FR)

(73) Assignee: **Schneider Electric SA**, Boulogne
Billancourt (FR)

(**) Term: **14 Years**

(21) Appl. No.: **29/105,169**

(22) Filed: **May 19, 1999**

(30) **Foreign Application Priority Data**

Nov. 19, 1998 (FR) 98 6760

(51) **LOC (7) Cl.** **10-05**

(52) **U.S. Cl.** **D10/104**

(58) **Field of Search** D10/104, 106,
D10/116, 121; 340/321, 541, 542, 543,
544, 545, 556, 565, 573, 586

(56) **References Cited**

U.S. PATENT DOCUMENTS

D437,243 S * 2/2001 Cessac D10/104
D449,789 S * 10/2001 Gunji et al. D10/104

OTHER PUBLICATIONS

Groupe Schneider, Telemecanique, "Befehls- Und Melde-
geräte 22,5 mm Ihre Vorteile für den Dialog Mensch—
Maschine", Leaflet, Apr. 1994 (reference ZB2-BVO).

* cited by examiner

Primary Examiner—Marcus A. Jackson

(74) *Attorney, Agent, or Firm*—Oblon, Spivak, McClelland,
Maier & Neustadt, P.C.

(57) **CLAIM**

The ornamental design for a signaling unit, as shown and
described.

DESCRIPTION

FIG. 1 is a front elevational view of signaling unit embody-
ing the new design thereof;

FIG. 2 is a rear elevational view thereof;

FIG. 3 is a left side elevational view thereof, the right side
view being a mirror image of the sole view shown;

FIG. 4 is a top plan view thereof;

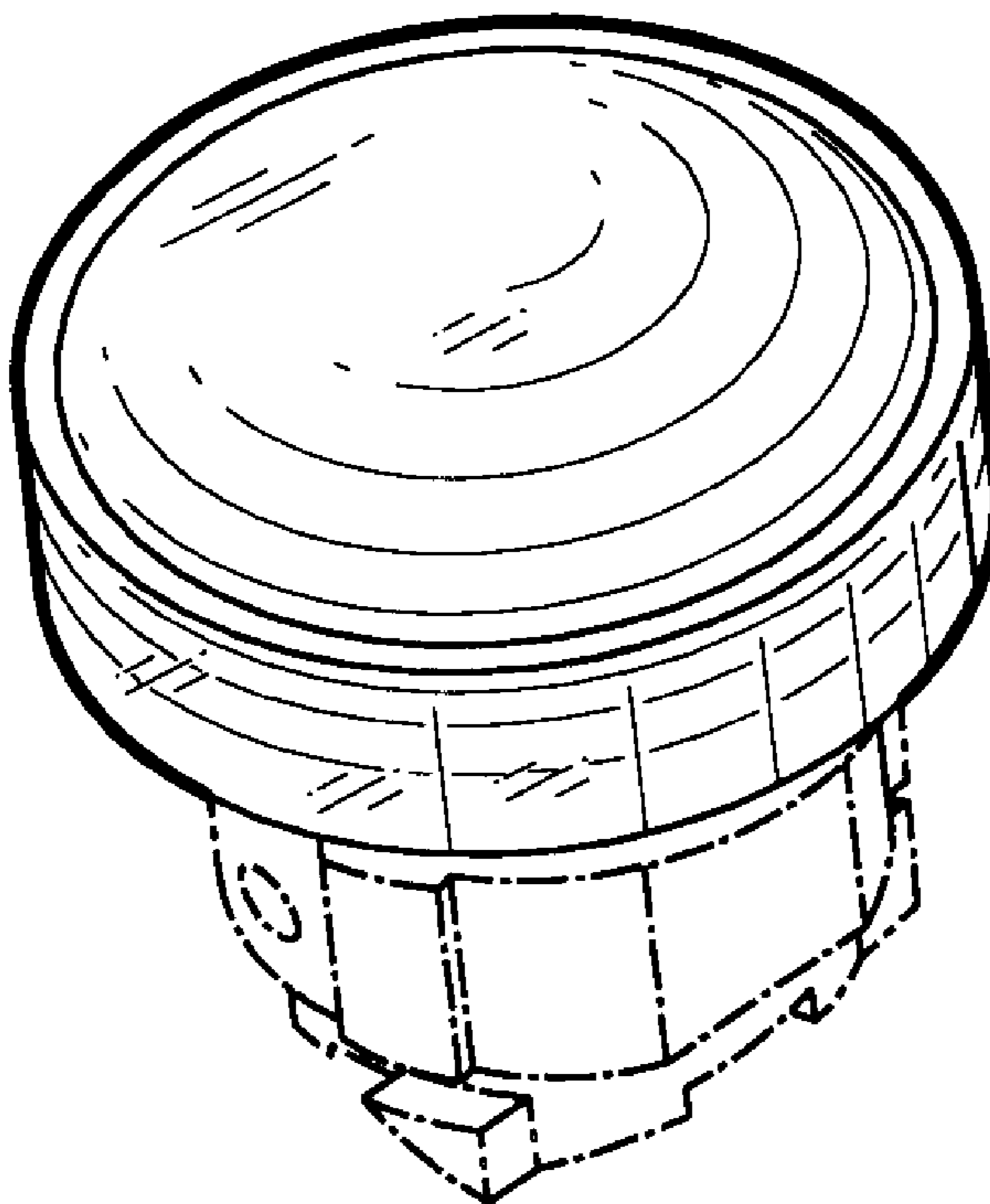
FIG. 5 is a bottom plan view thereof;

FIG. 6 is top, front, left perspective view thereof; and,

FIG. 7 is a bottom, rear, right perspective view thereof.

The phantom line showing in the drawings is for illustrative
purposes only and forms no part of the claimed design.

1 Claim, 4 Drawing Sheets



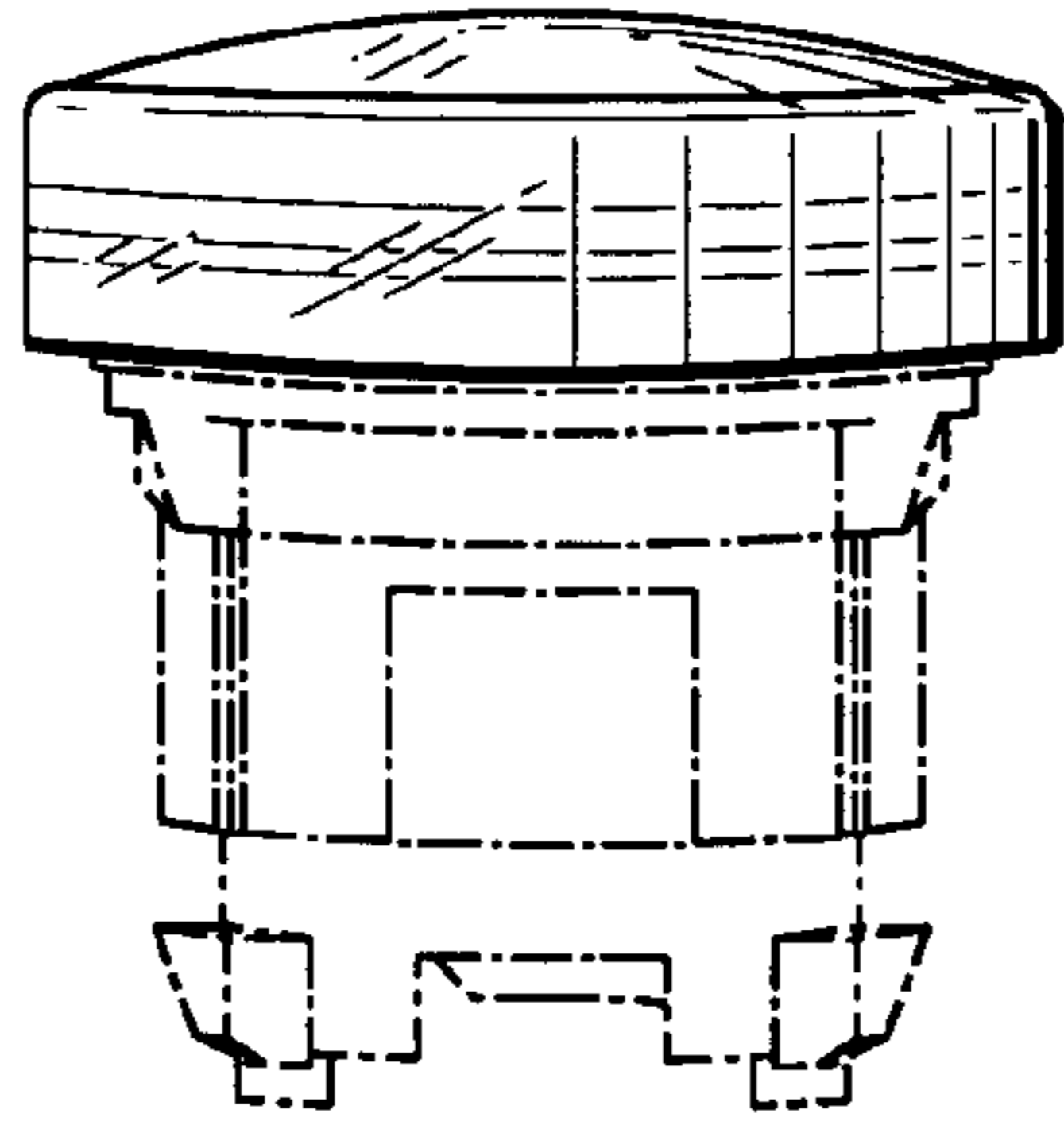


FIG. 1

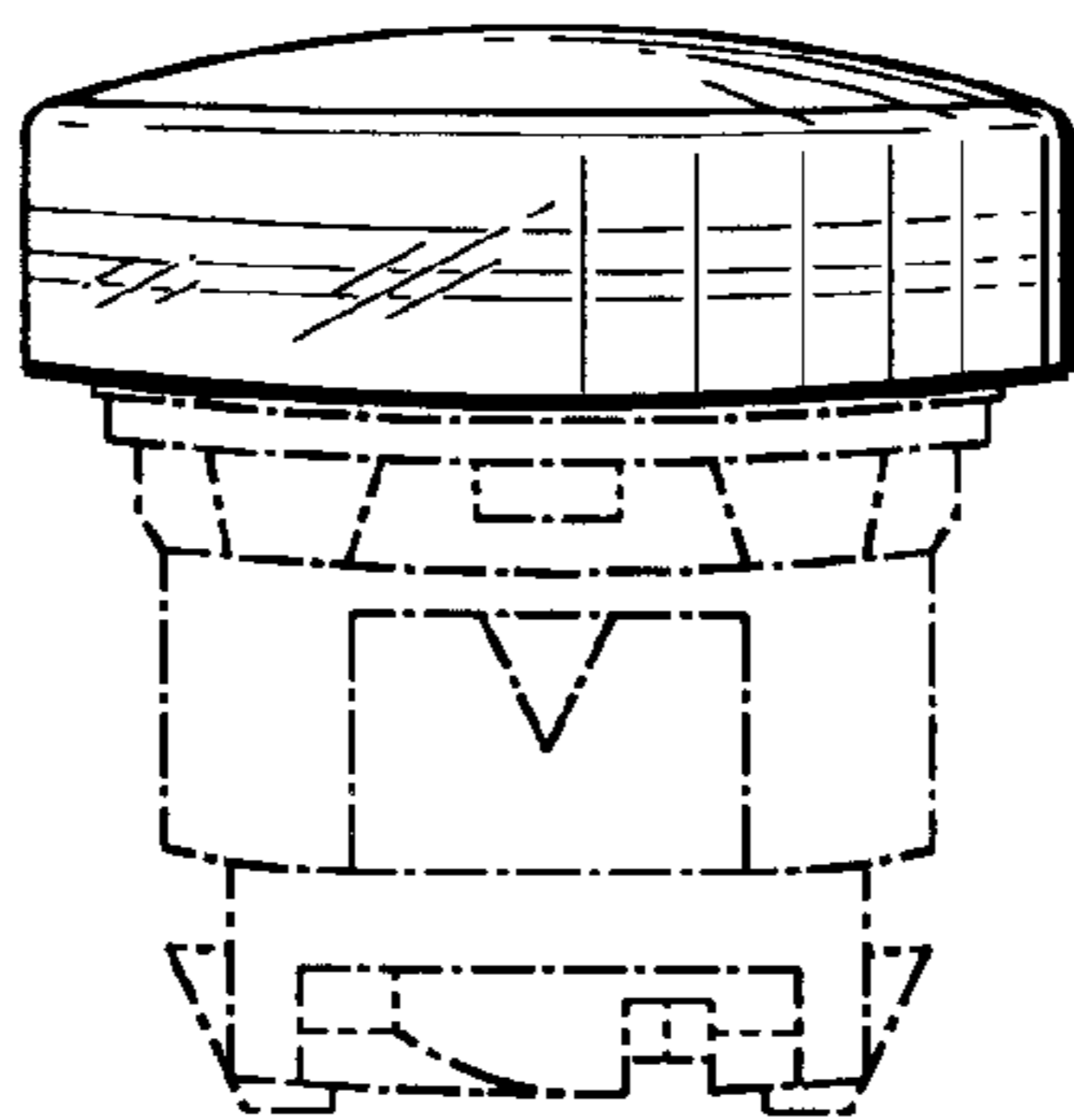


FIG. 2

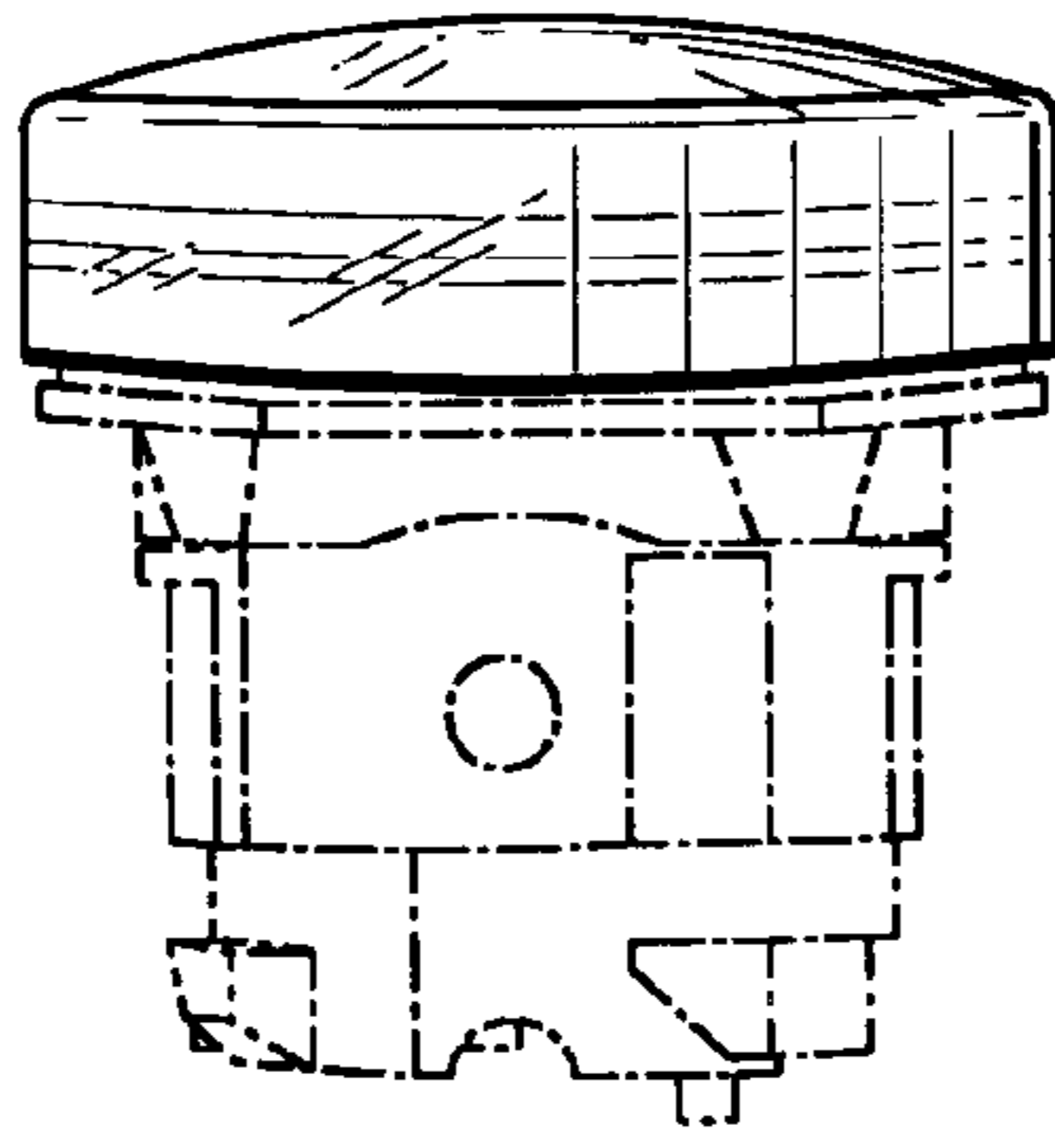


FIG. 3

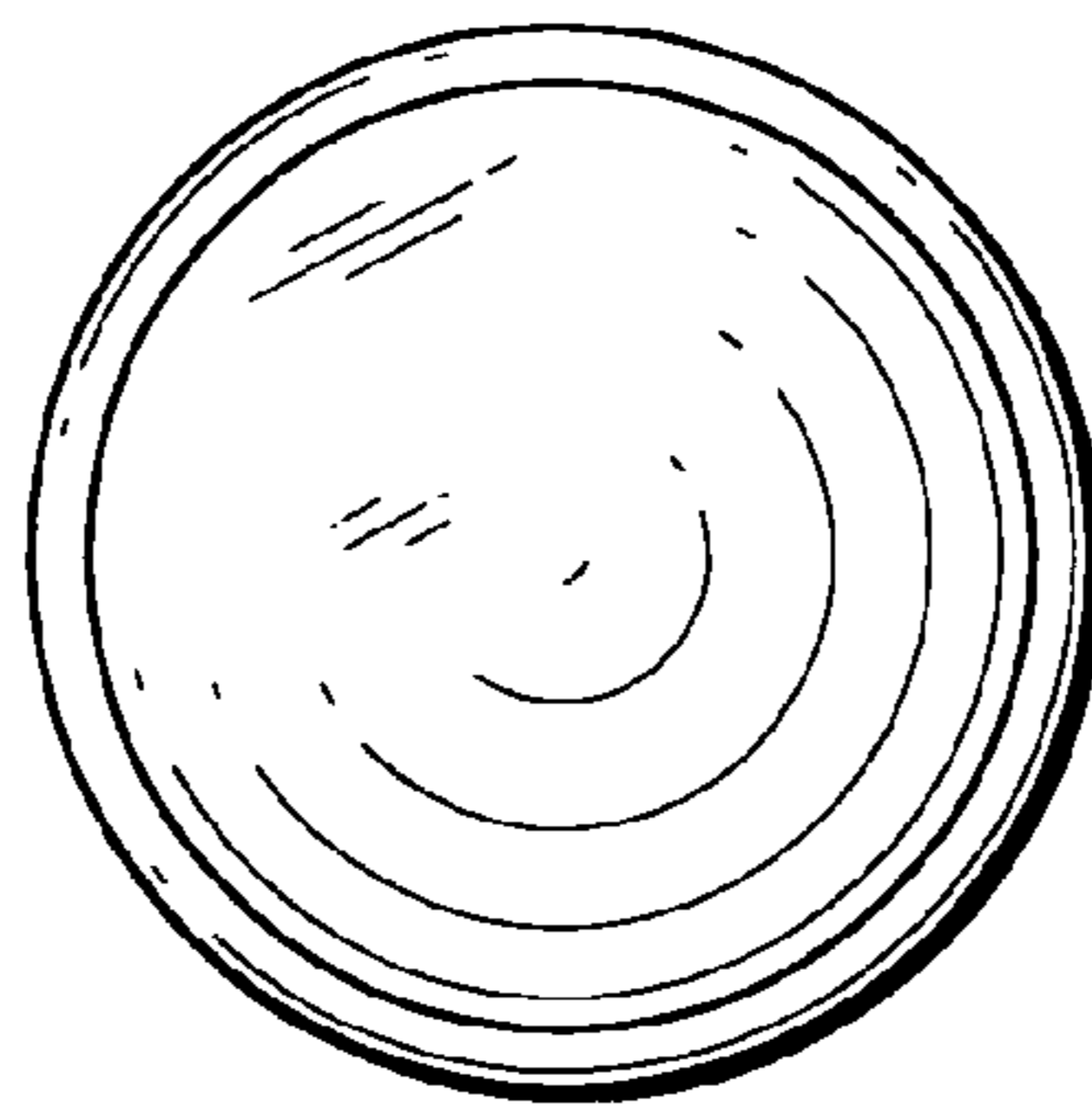


FIG. 4

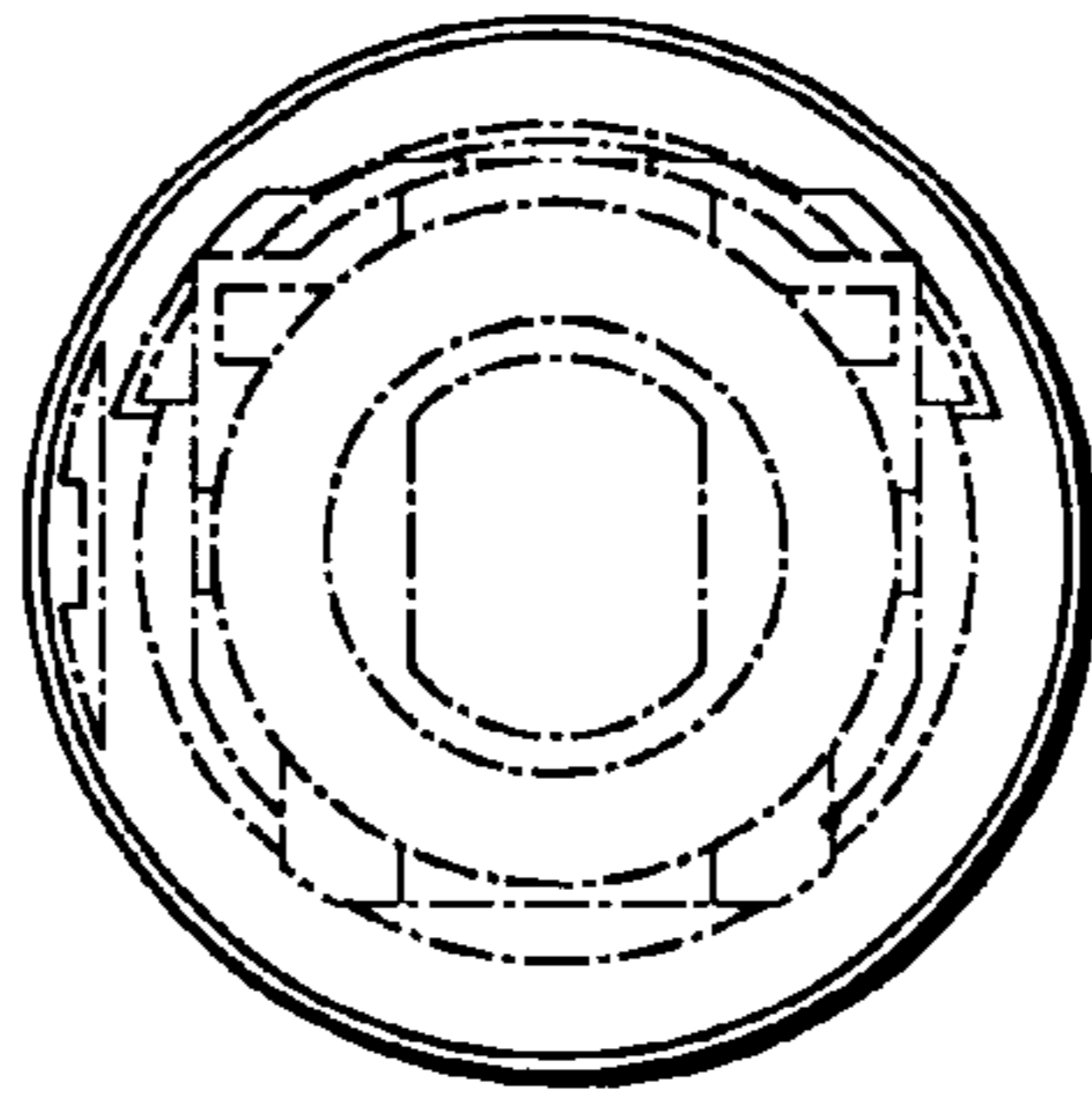


FIG. 5

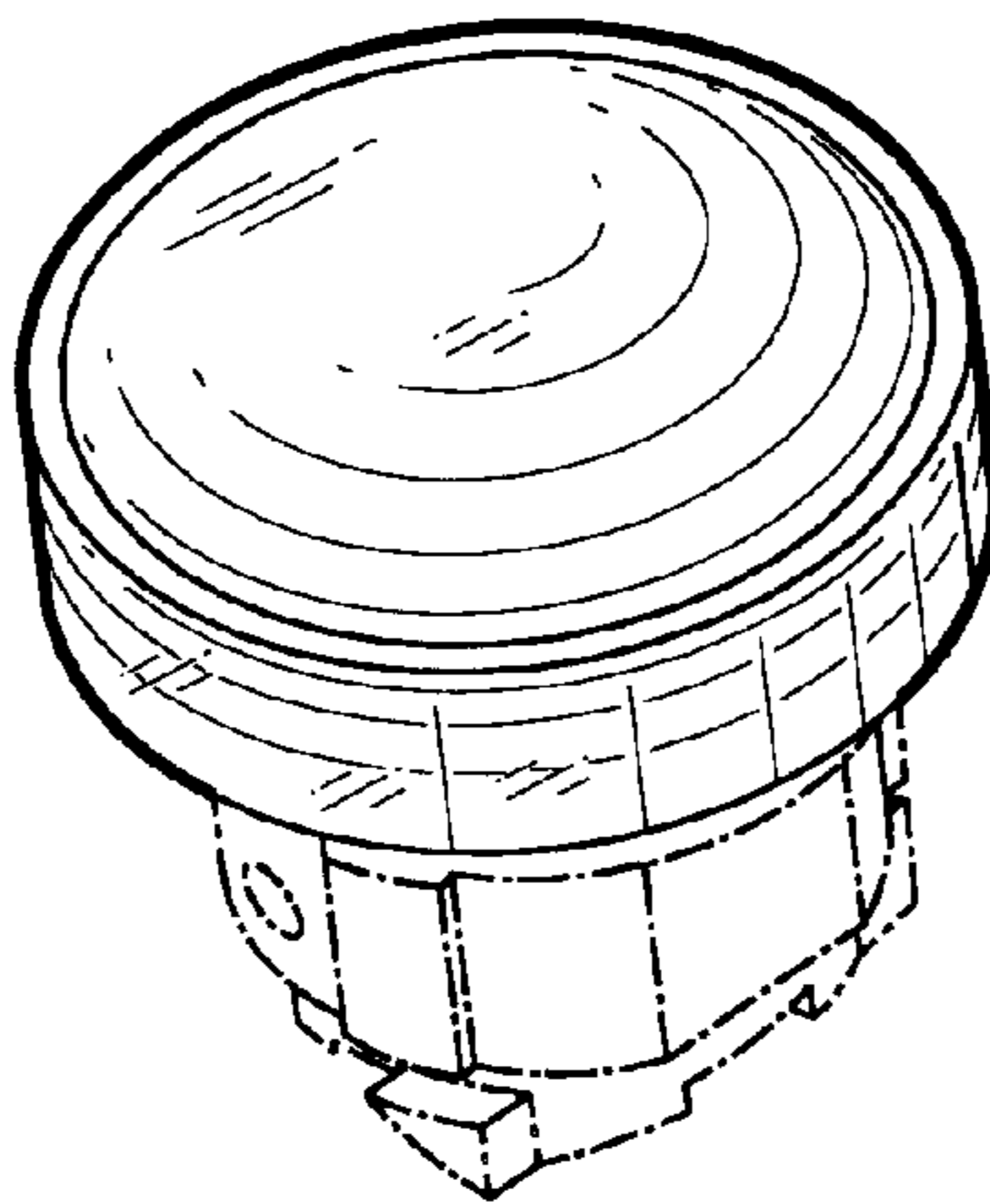


FIG. 6

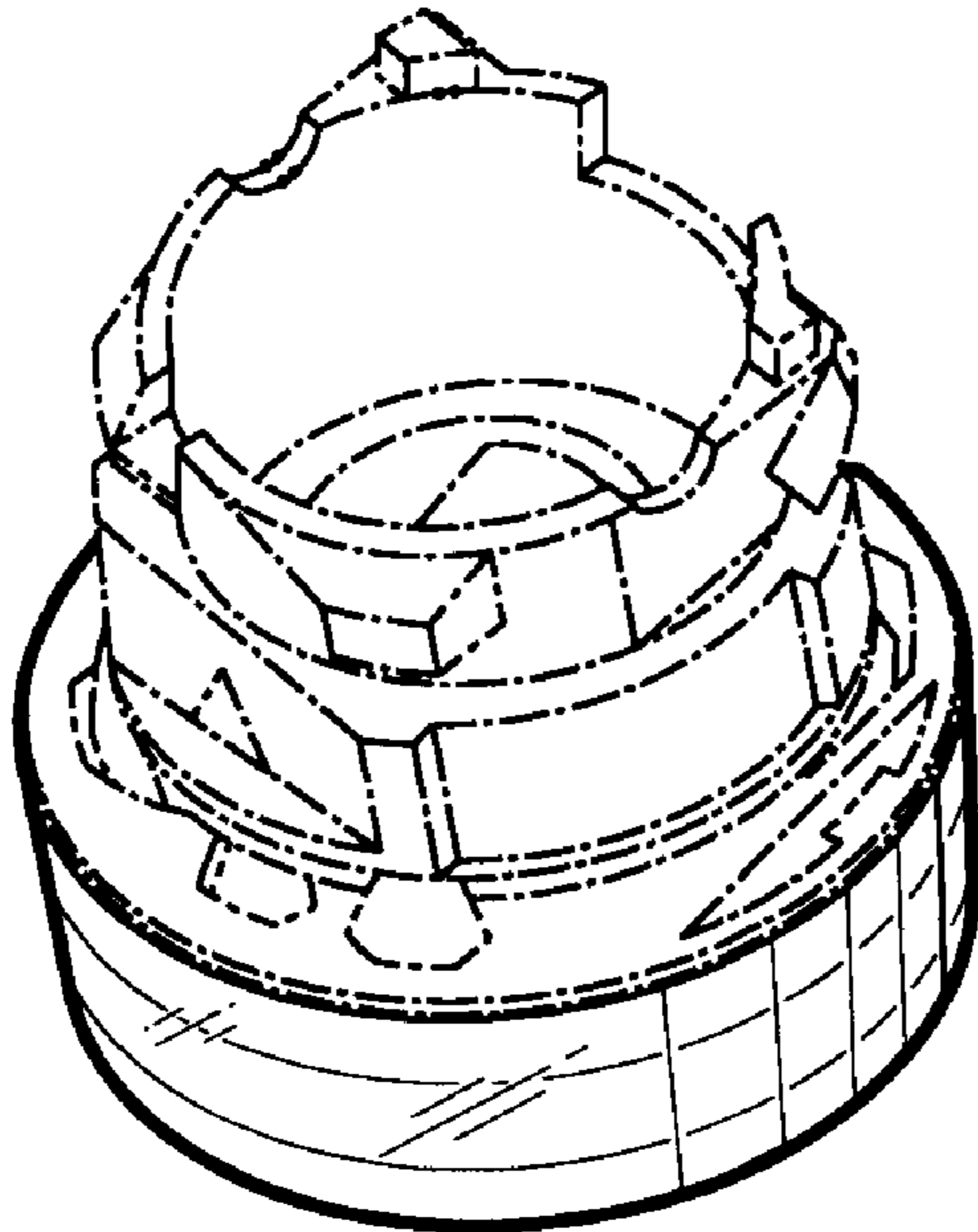


FIG. 7