



US00D459259S

(12) **United States Design Patent**  
**Harding et al.**

(10) **Patent No.:** **US D459,259 S**  
(45) **Date of Patent:** **\*\* Jun. 25, 2002**

(54) **DINRAIL MOUNTABLE ELECTRIC METER**

(75) Inventors: **Stewart J. Harding; Markus F. Hirschbold; I. Ross Macfarlane**, all of Victoria; **Werner Reinhard Simbeck**, Mill Bay, all of (CA)

(73) Assignee: **Power Measurement, Ltd.**, Saanichton (CA)

(\*\*) Term: **14 Years**

(21) Appl. No.: **29/142,118**

(22) Filed: **May 18, 2001**

**Related U.S. Application Data**

(63) Continuation of application No. 09/791,419, filed on Feb. 23, 2001, which is a continuation of application No. 09/791,420, filed on Feb. 23, 2001, which is a continuation of application No. 09/791,421, filed on Feb. 23, 2001.

(51) **LOC (7) Cl.** ..... **10-04**

(52) **U.S. Cl.** ..... **D10/99; D13/147**

(58) **Field of Search** ..... **D10/99; D13/147;**  
361/664, 364, 366, 367, 368, 372; 324/141,  
142, 127, 129, 157, 116, 110, 115, 146,  
149; 702/61-57; 340/310.01, 178, 870.03,  
538; 439/716

(56) **References Cited**

**U.S. PATENT DOCUMENTS**

4,900,275	A	2/1990	Fasano	
D353,364	S	12/1994	Marach	
D353,365	S	12/1994	Marach	
D366,434	S	* 1/1996	Brown, III et al.	..... D10/999
D376,328	S	* 12/1996	Munzer et al.	

**OTHER PUBLICATIONS**

Brochure, 6200 ION Compact Modular Power & Energy Meter, Power Measurement, 1 2-sided page, Apr. 2001.  
Brochure, Switchboard Integra 1000, Crompton Instruments, 4 pages (assumed published more than one year prior to filing date of this application for purposes of examination).

Brochure, UPM341—Universal Power Meter, algodue® Elettronica, 2 pages (assumed published more than one year prior to filing date of this application for purposes of examination).

Brochure, Universal Measuring Device UMG 96, Janitza Electronic, 2 pages, Mar. 2001.

Brochure, Maximum Power Monitor ISÜ 600 (M), Janitza Electronic, 2 pages, Mar. 2000.

Brochure, MultiComm™ Digital Power Meter, Bitronics, Inc., 5 pages (assumed published more than one year prior to filing date of this application for purposes of examination).

Brochure, Class 3020 POWERLOGIC® Power Meter, Square D, Groupe Schneider, 4 pages, Oct. 1998.

Brochure, PM171 Series Powermeter, 1 page (assumed published more than one year prior to filing date of this application for purposes of examination).

Brochure, Multi-Function Power Meter, Model PM171E, 1 page (assumed published more than one year prior to filing date of this application for purposes of examination).

(List continued on next page.)

*Primary Examiner*—Antoine Duval Davis

(74) *Attorney, Agent, or Firm*—Brinks Hofer Gilson & Lione

(57) **CLAIM**

The ornamental design for a Dinrail mountable electric meter, as shown and described.

**DESCRIPTION**

FIG. 1 is a front perspective view of our new, original and ornamental design for a Dinrail mountable electric meter, according to a first embodiment;

FIG. 2 is a back view of the meter of FIG. 1;

FIG. 3 is a bottom view of the meter of FIG. 1;

FIG. 4 is a top view of the meter of FIG. 1;

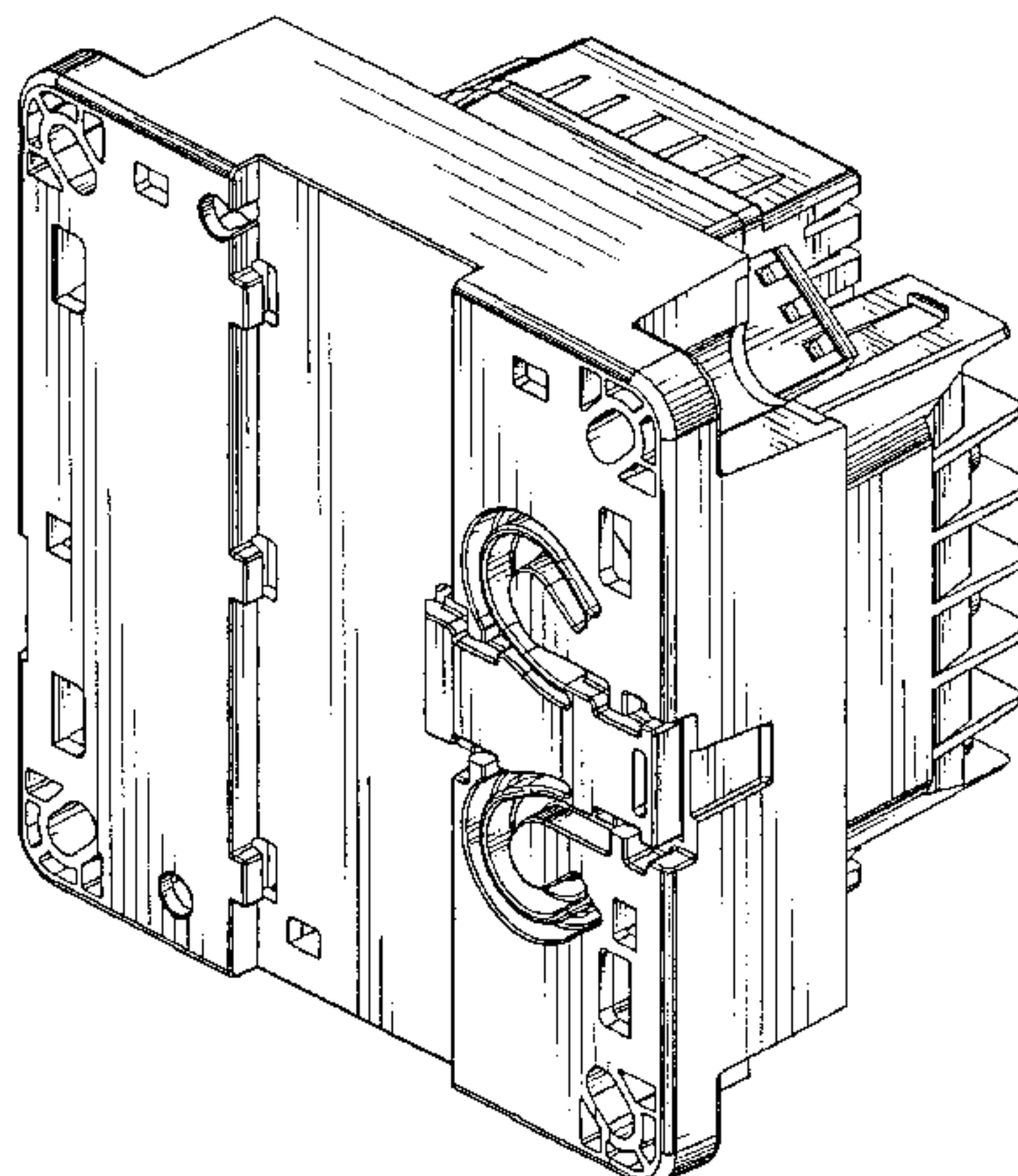
FIG. 5 is a front view of the meter of FIG. 1;

FIG. 6 is a left side view of the meter of FIG. 1; and,

FIG. 7 is a right side view of the meter of FIG. 1.

The broken lines in the Figures are for illustrative purposes only and form no part of the claimed design.

**1 Claim, 4 Drawing Sheets**



**OTHER PUBLICATIONS**

Brochure, PM130 Series TrueMeter™, SATEC Powerful Solutions, 1 page (assumed published more than one year prior to filing date of this application for purposes of examination).

Brochure, PM130 and PM130P TrueMeter™, 1 page (assumed published more than one year prior to filing date of this application for purposes of examination).

Brochure, PM130, PM130P and PM130E TrueMeter™, 1 page (assumed published more than one year prior to filing date of this application for purposes of examination).

Brochure, DIRIS, Ap, Socomec Ltd., "Welcome to the next generation" 1 page (assumed published more than one year prior to filing date of this application for purposes of examination).

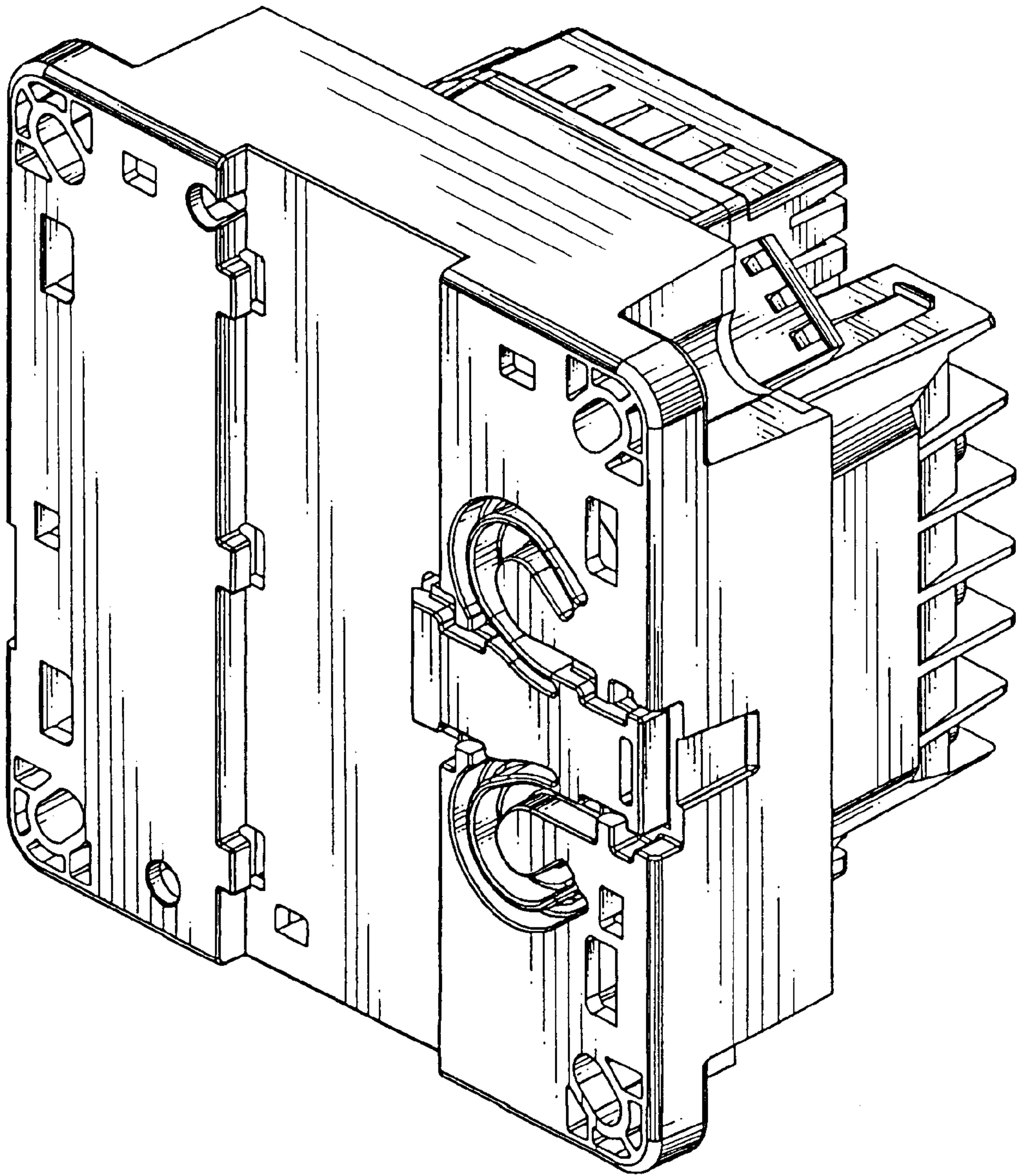
Brochure, 3 Phase Digital Multi-Function Power Meter, Electro Industries/Gauge Tech, 6 pages (assumed published more than one year prior to filing date of this application for purposes of examination).

Brochure, Digital Metering System, Switchboard Integra 1000, Crompton Instruments, 1 page (assumed published more than one year prior to filing date of this application for purposes of examination).

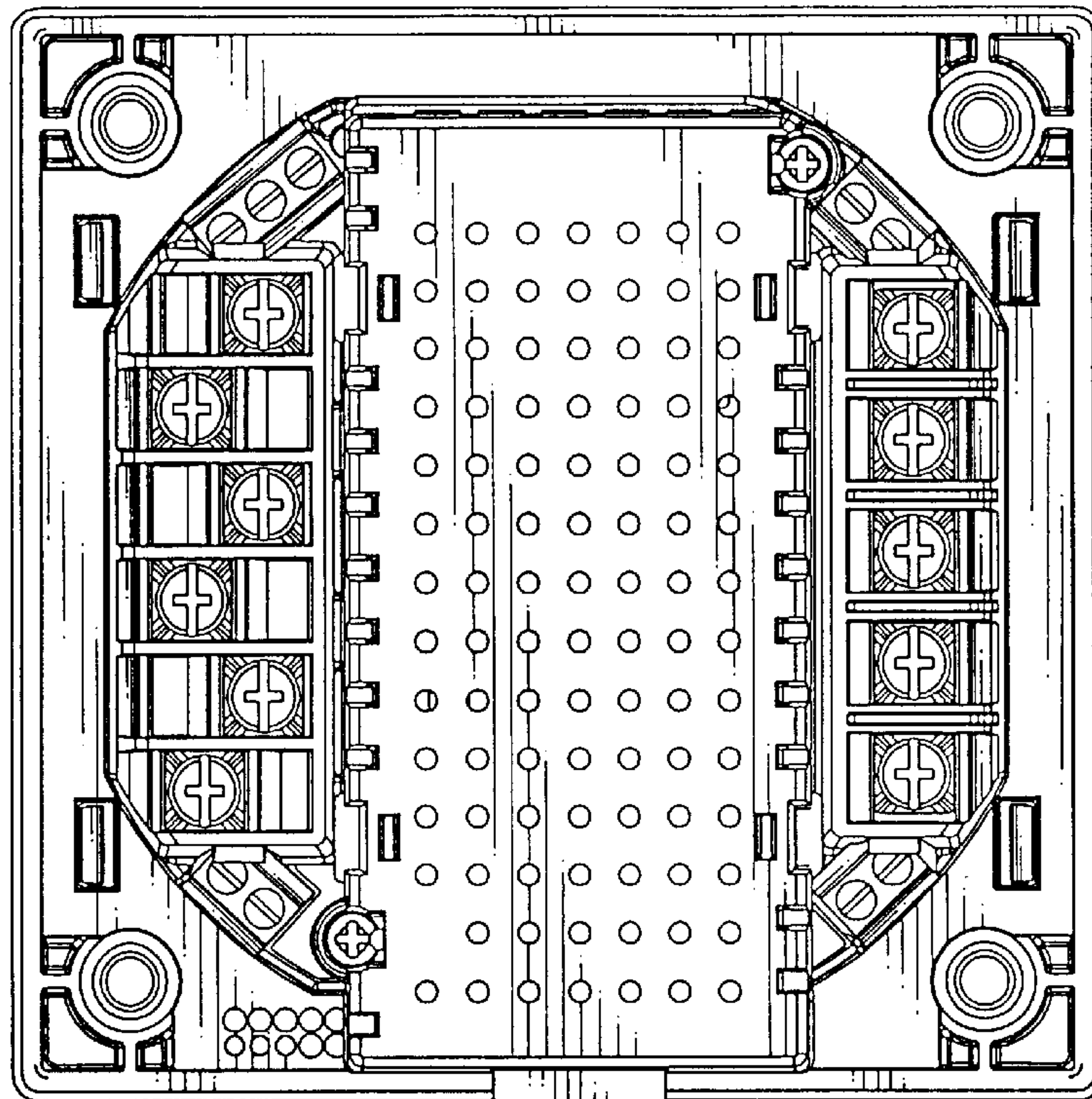
Brochure, Digital Metering System, Quadratic Integra 1000, Crompton Instruments, 1 page (assumed published more than one year prior to filing date of this application for purposes of examination).

\* cited by examiner

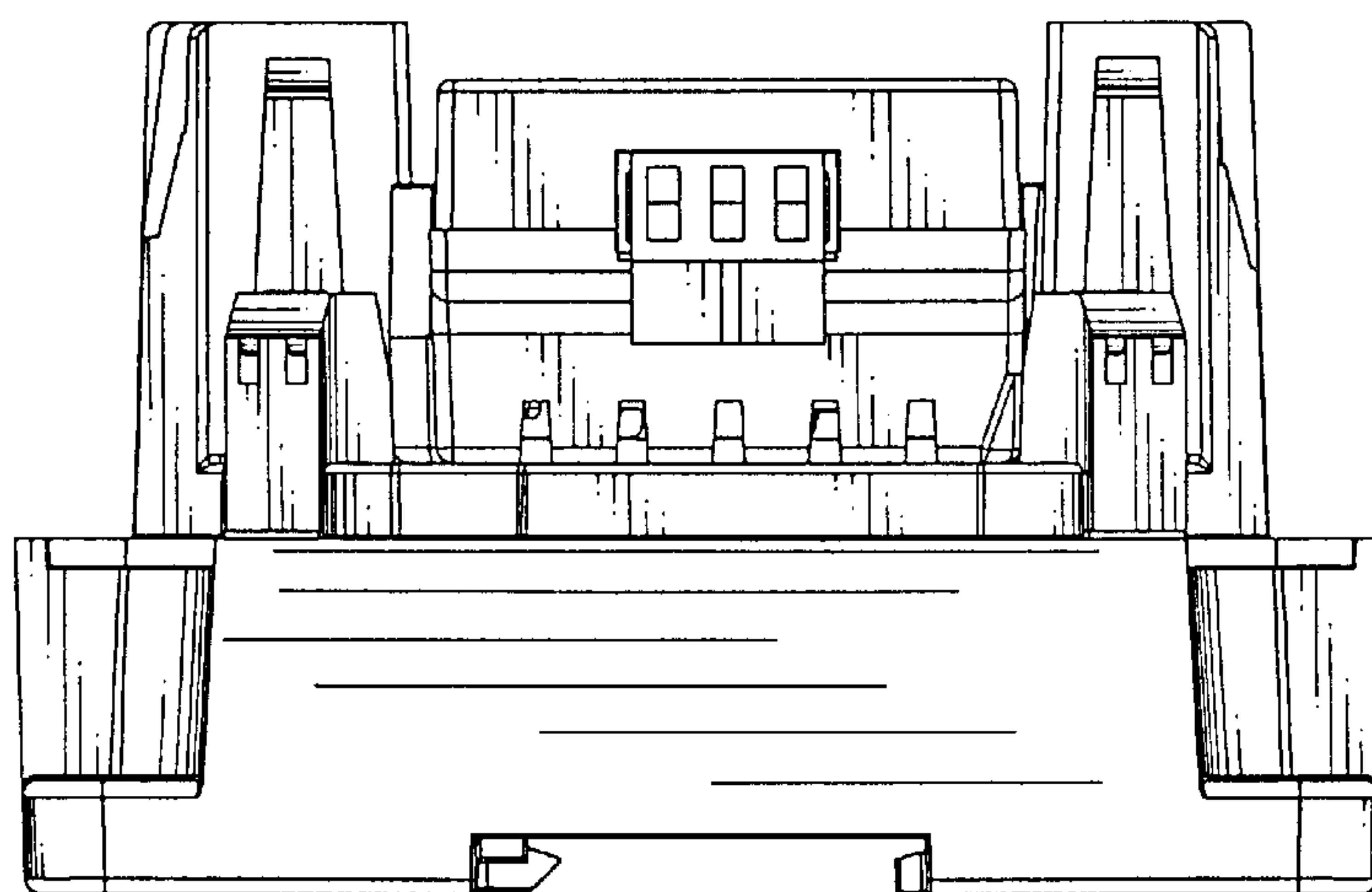
*Fig. 1*





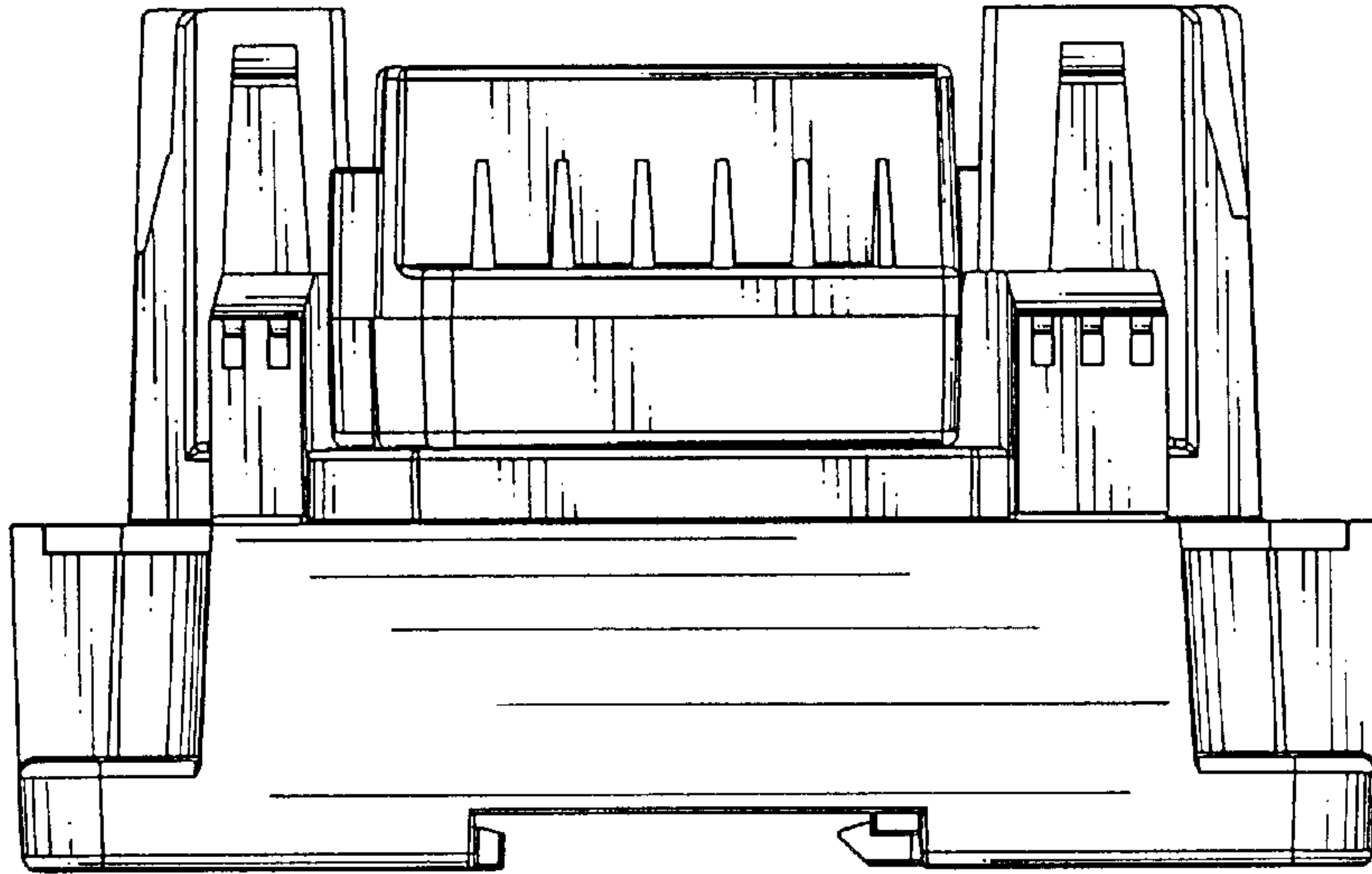


*Fig. 2*

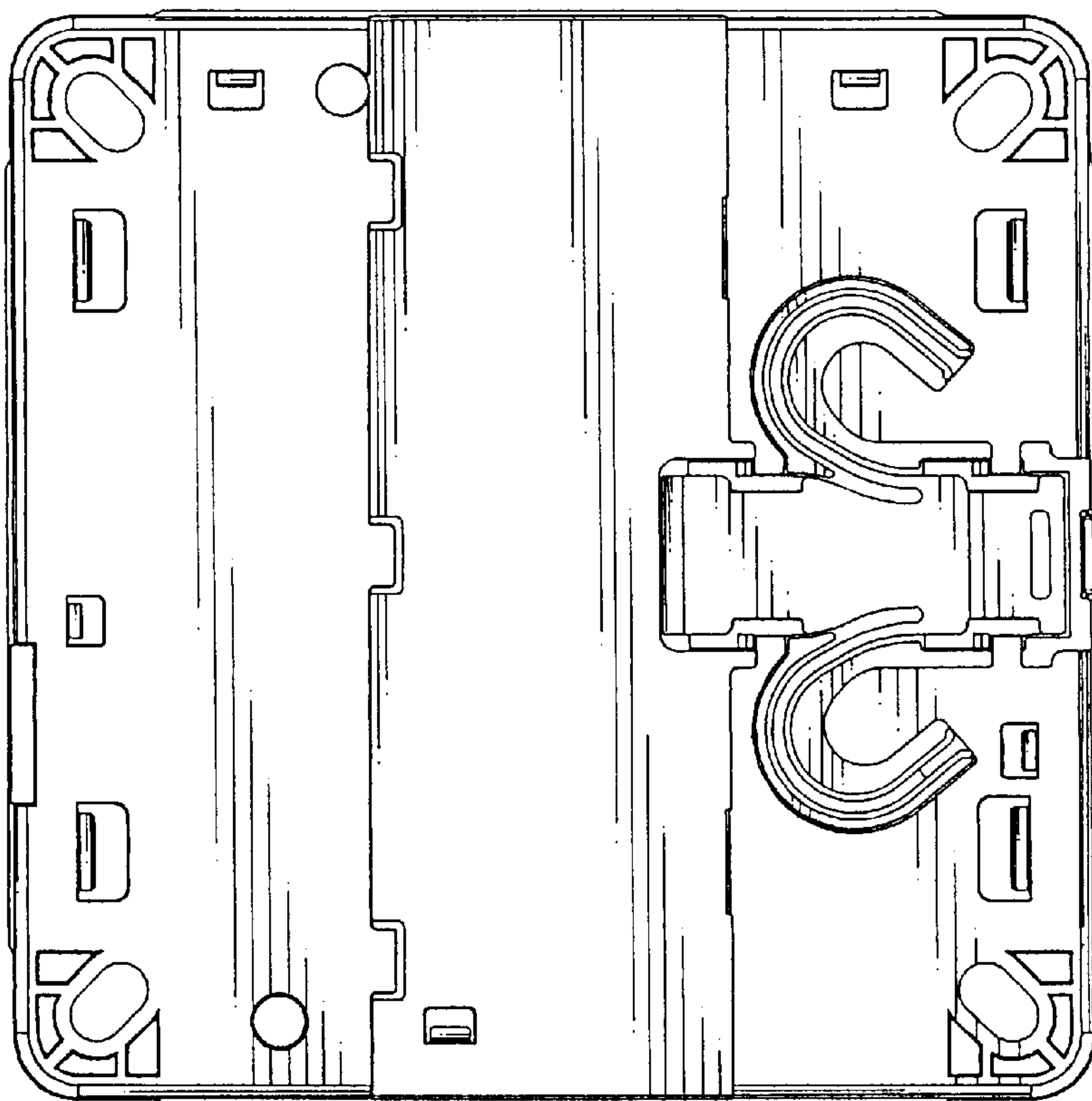


*Fig. 3*

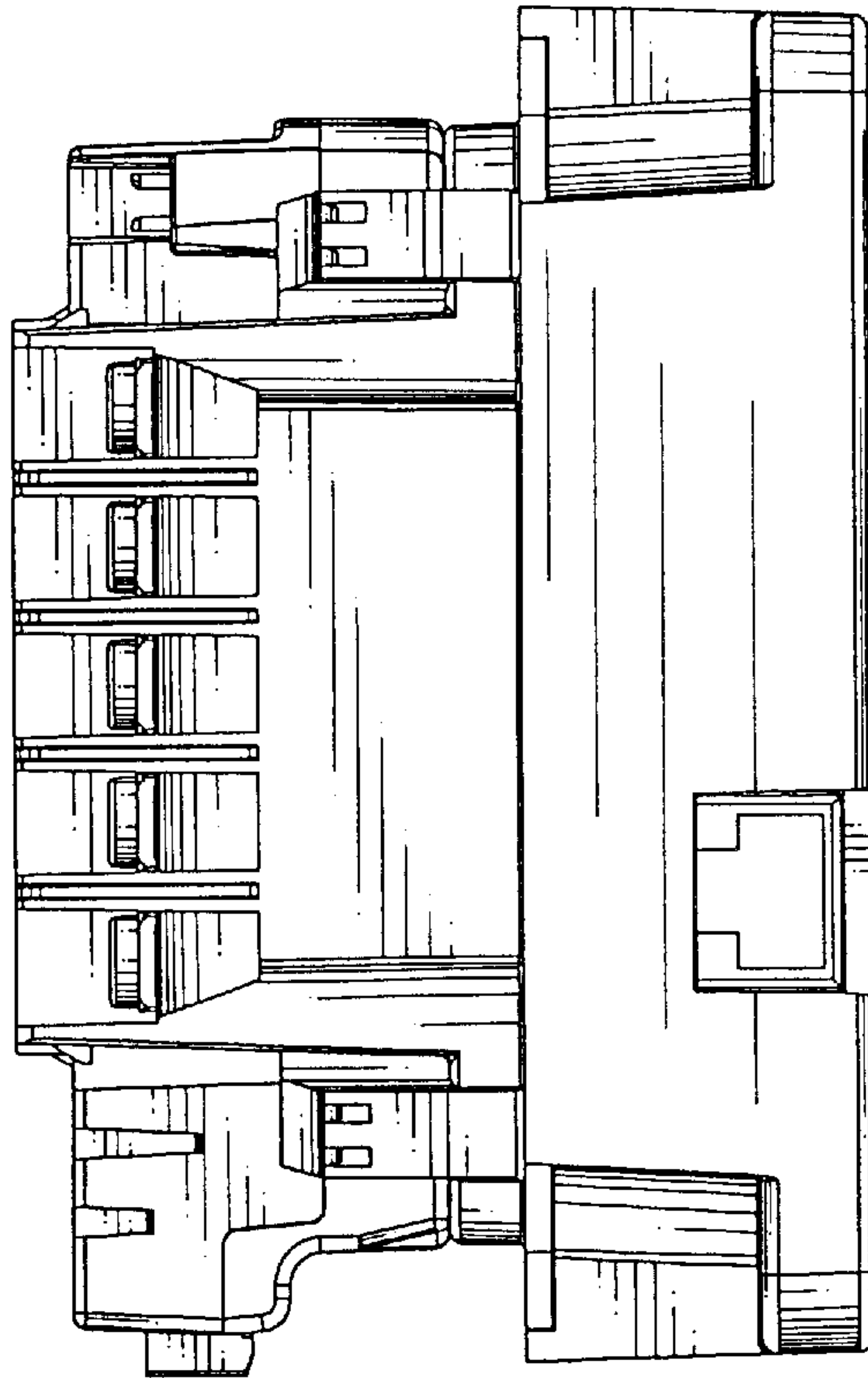
*Fig. 4*



*Fig. 5*



*Fig. 6*



*Fig. 7*

