



US00D459256S

(12) **United States Design Patent**
Nunes et al.

(10) **Patent No.:** **US D459,256 S**
(45) **Date of Patent:** **** Jun. 25, 2002**

(54) **MARINE INSTRUMENT CASING**

(75) Inventors: **Brendon G. Nunes; Gregory J. T. Lowe-Wylde**, both of Ajax (CA)

(73) Assignee: **Trintec Industries Inc.** (CA)

(**) Term: **14 Years**

(21) Appl. No.: **29/132,019**

(22) Filed: **Nov. 1, 2000**

(51) **LOC (7) Cl.** **10-04**

(52) **U.S. Cl.** **D10/85; D10/103**

(58) **Field of Search** **D10/83, 85, 94, D10/103, 102, 101, 100, 99, 65; 324/156, 109; 73/732, 431**

(56) **References Cited**

U.S. PATENT DOCUMENTS

2,346,483	A	*	4/1944	Goss	324/156
D226,024	S	*	1/1973	Bell	D10/102
4,773,270	A	*	9/1988	Ogasawara et al.	73/732
D348,017	S	*	6/1994	Poleshuk et al.	D10/99

OTHER PUBLICATIONS

1997–1998 Weems & Plath “Marine Products Catalog”, cover and pp. 1 and 23–42.

Belfort Instruments web site “Belfort Aneroid Barometer—Model 6079”.

* cited by examiner

Primary Examiner—Antoine Duval Davis

(74) *Attorney, Agent, or Firm*—Nixon & Vanderhye P.C.

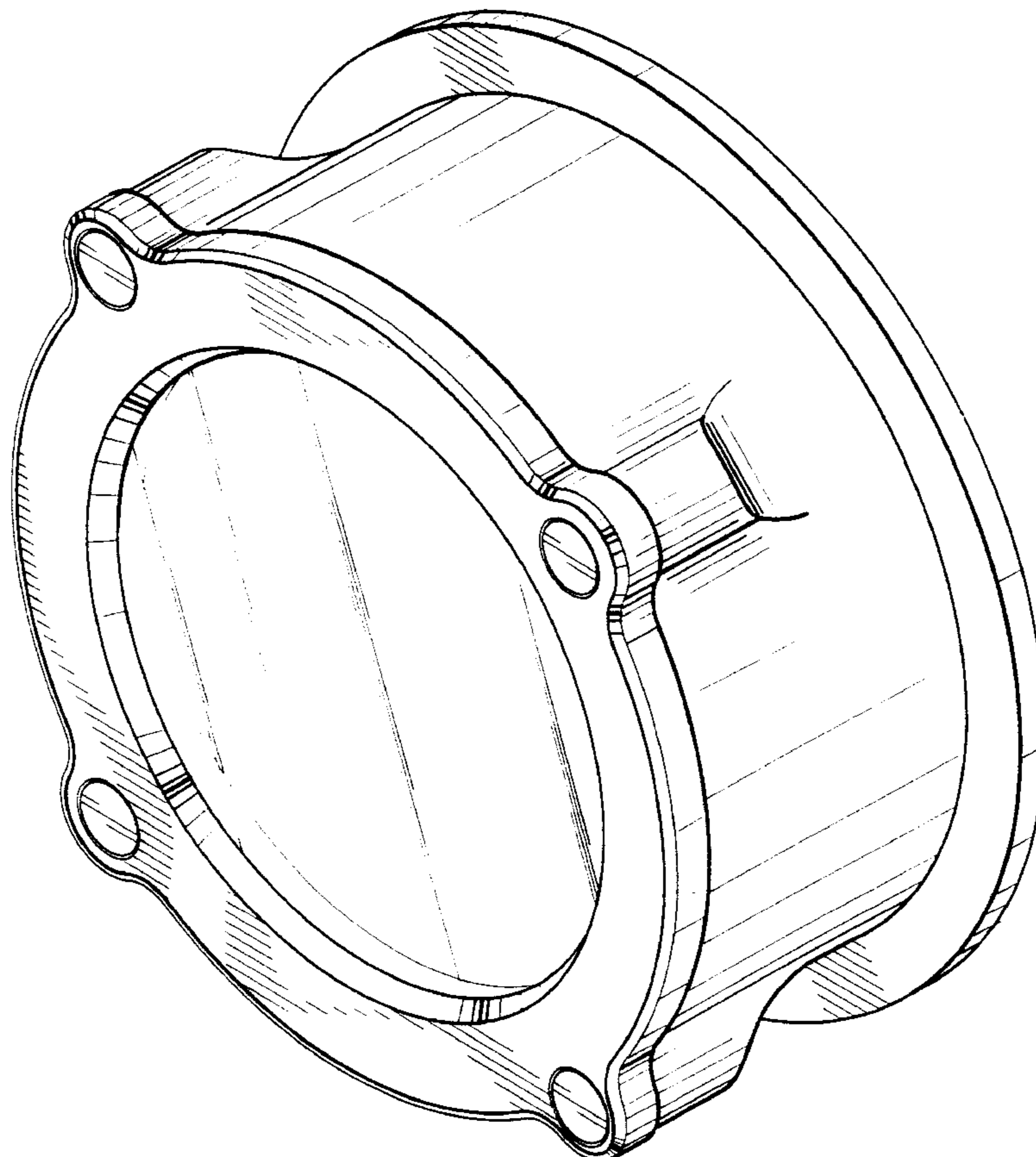
(57) **CLAIM**

The ornamental design for a marine instrument casing, substantially as shown and described.

DESCRIPTION

FIG. 1 is a top perspective view of a marine instrument casing showing our new design; FIG. 2 is a front view, with the rear being plain and unornamented; FIG. 3 is a side view with the opposite side view being a mirror image; and FIG. 4 is a top view, with the bottom view being identical; FIG. 5 is a top perspective view of another embodiment; FIG. 6 is a front view of the other embodiment with the rear being plain and unornamented; FIG. 7 is a side view of the other embodiment, with the opposite side view being a mirror image; FIG. 8 is a top view of the other embodiment; and, FIG. 9 is a bottom view of the other embodiment.

1 Claim, 6 Drawing Sheets



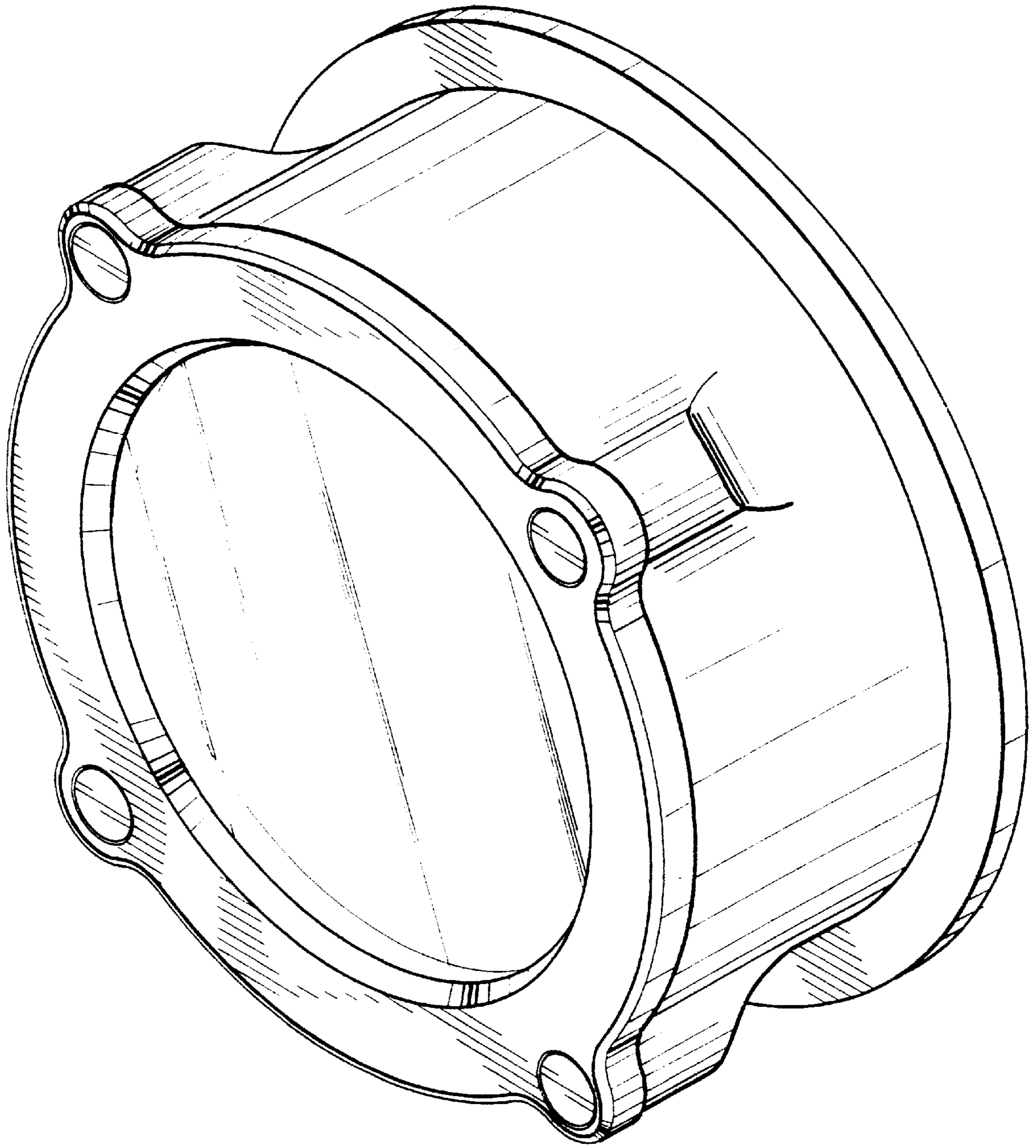


Fig. 1

Fig. 2

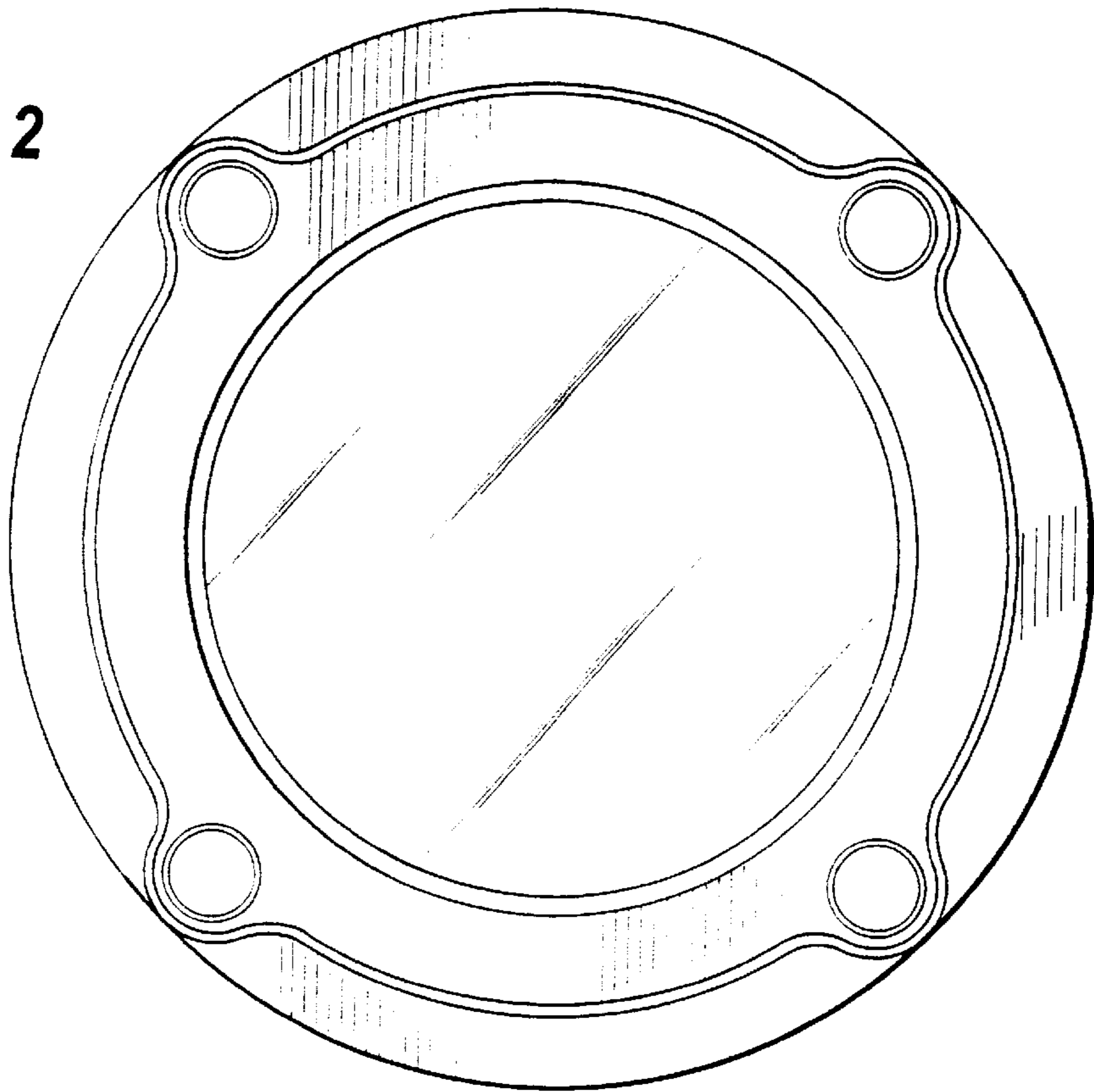


Fig. 3

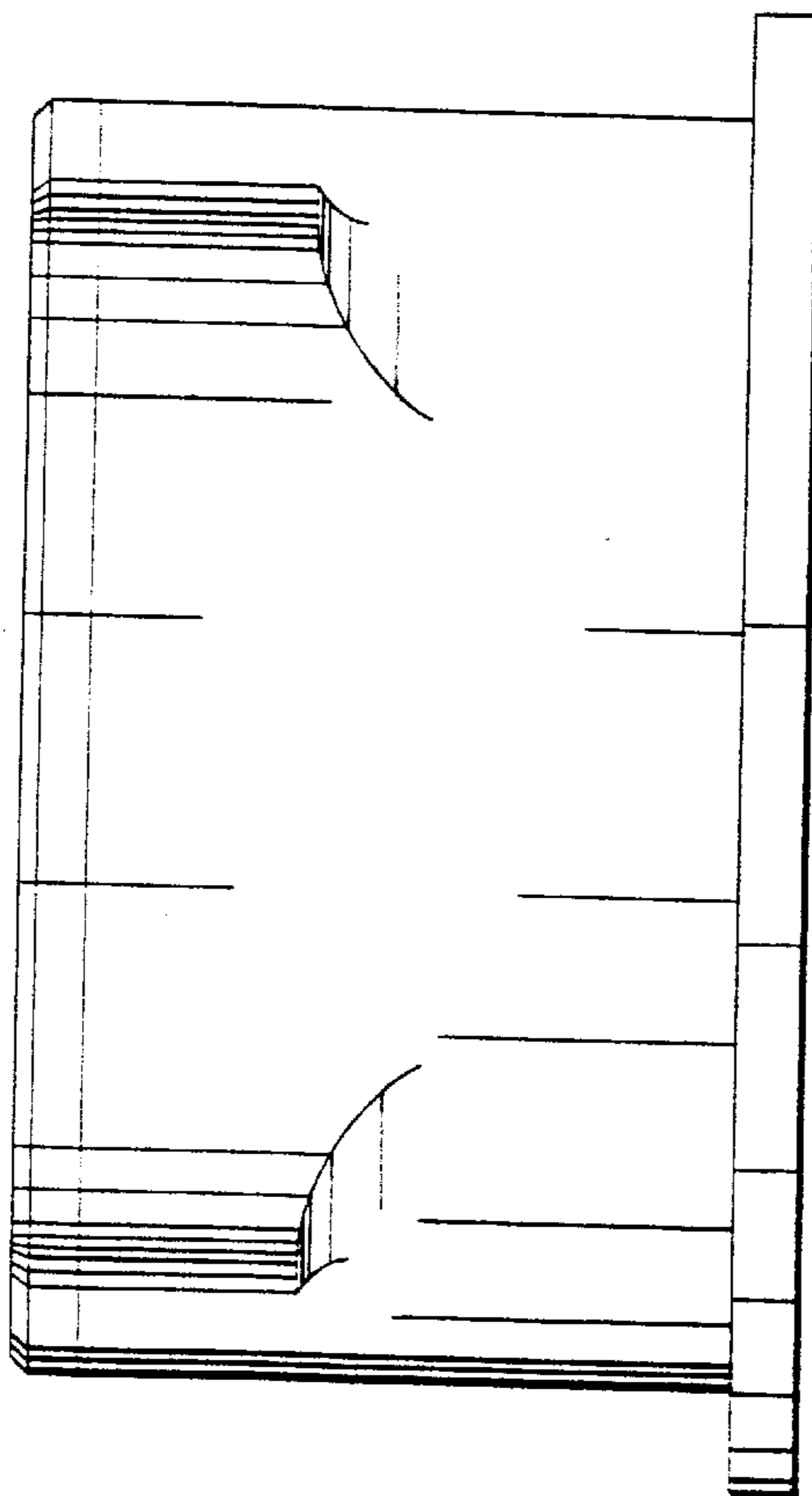
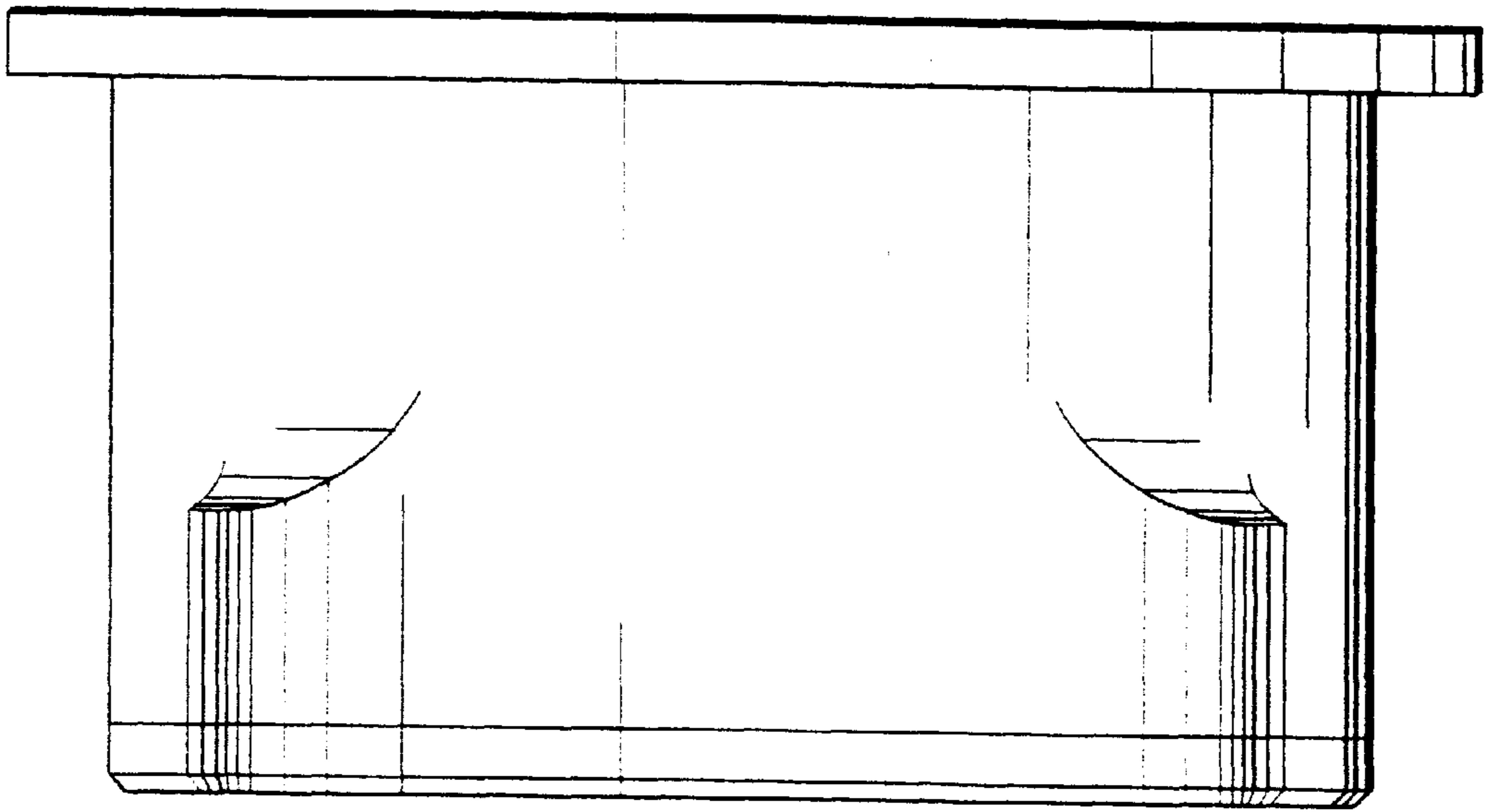


Fig. 4



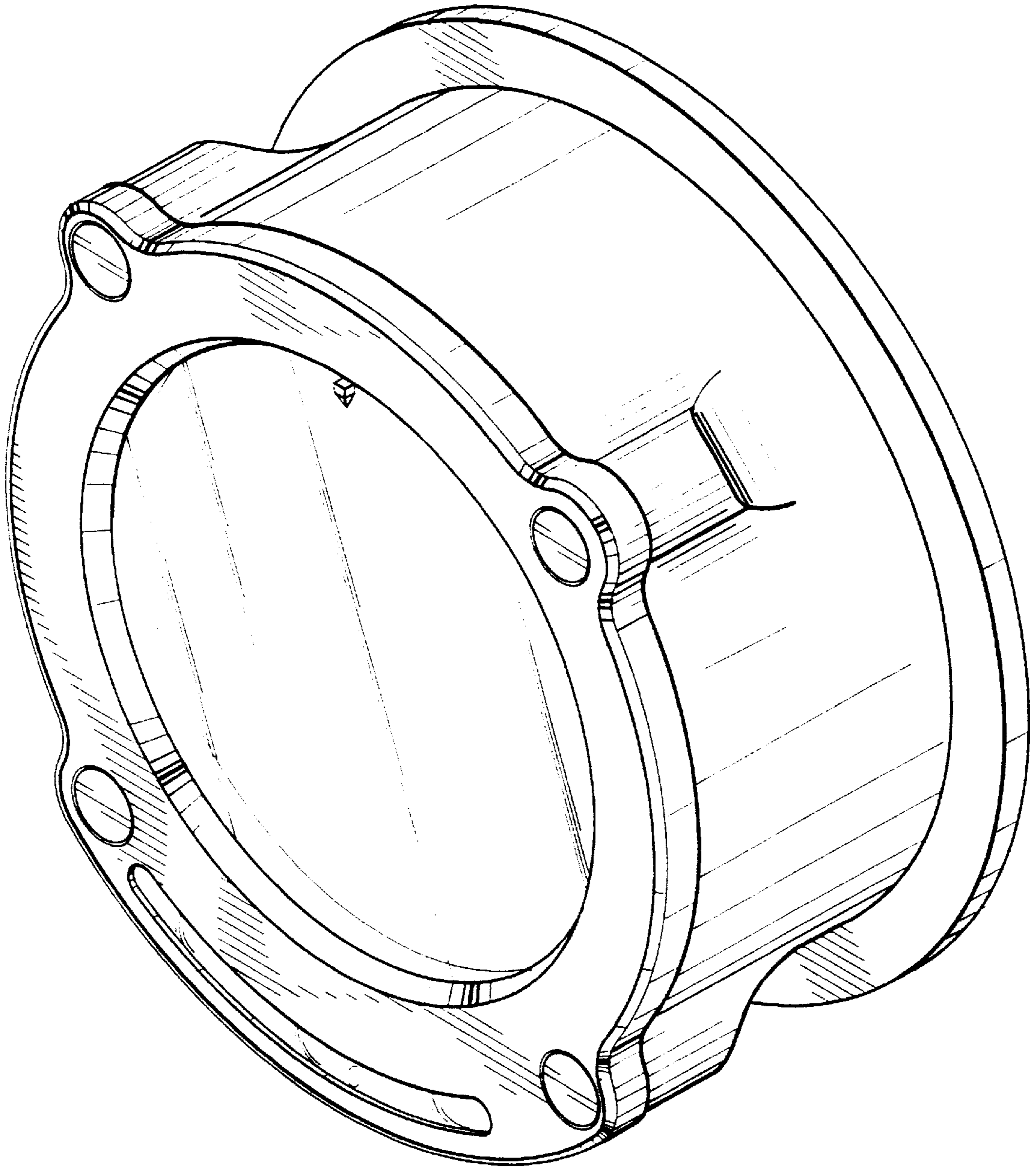


Fig. 5

Fig. 6

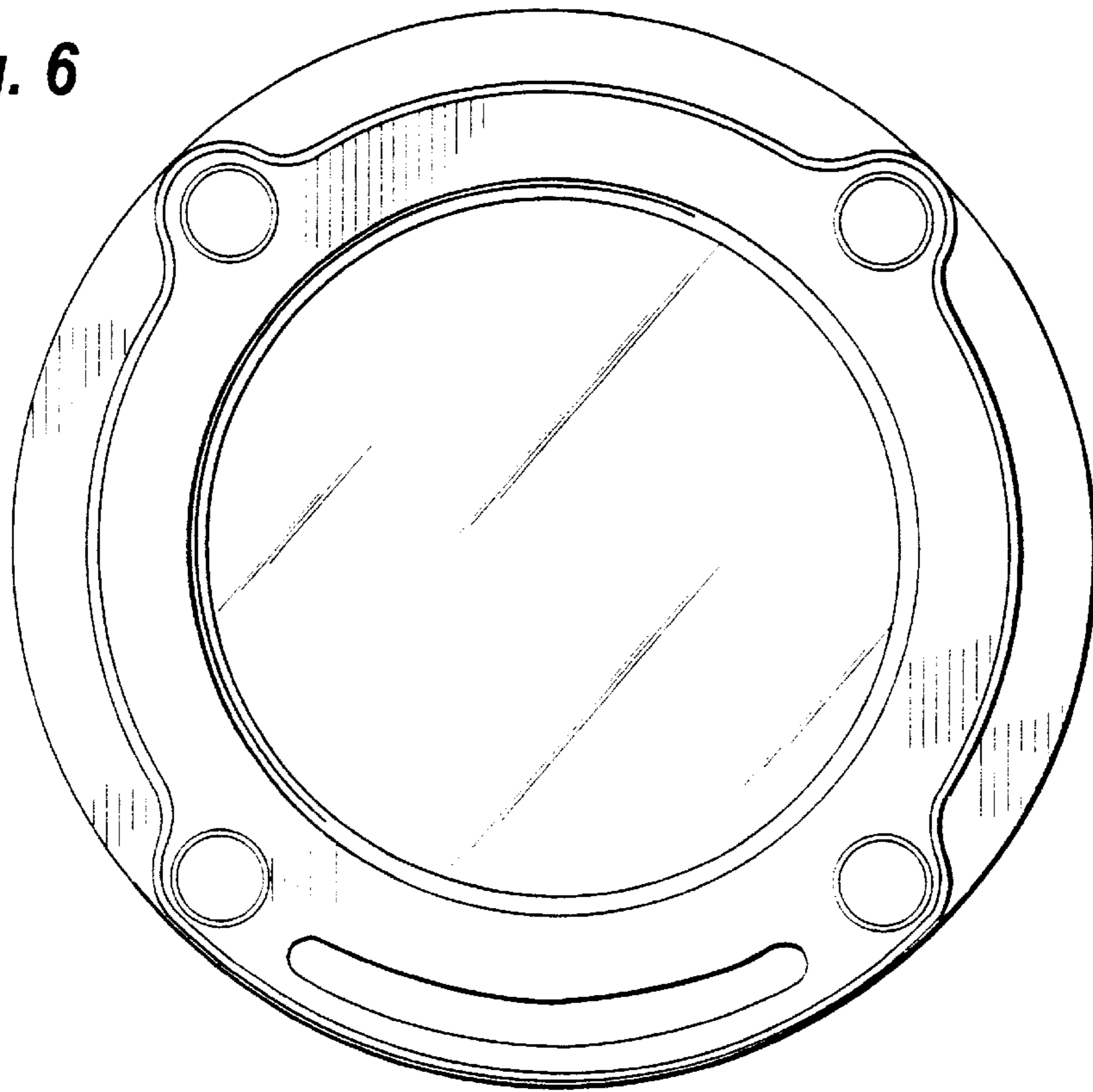


Fig. 7

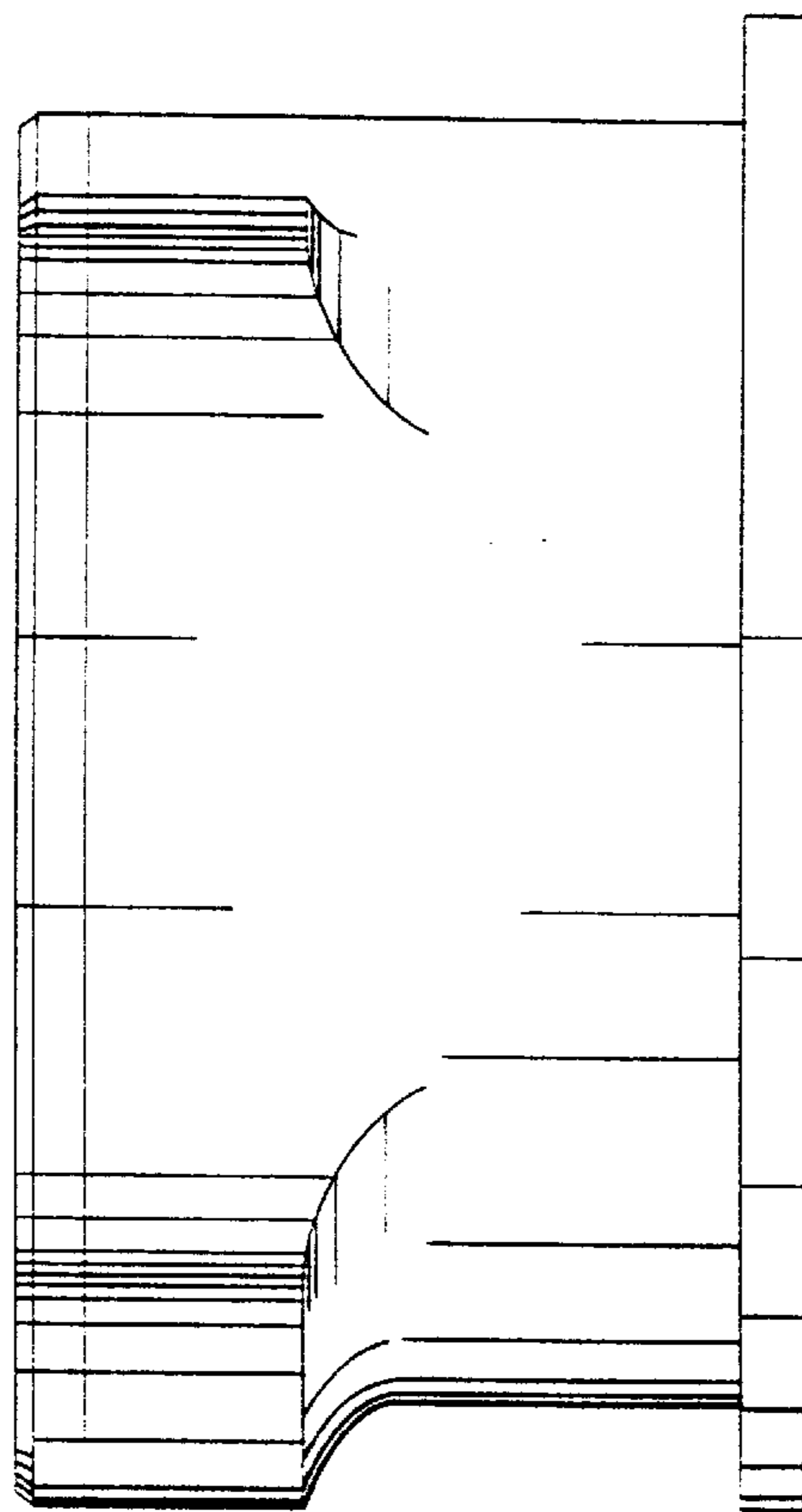


Fig. 8

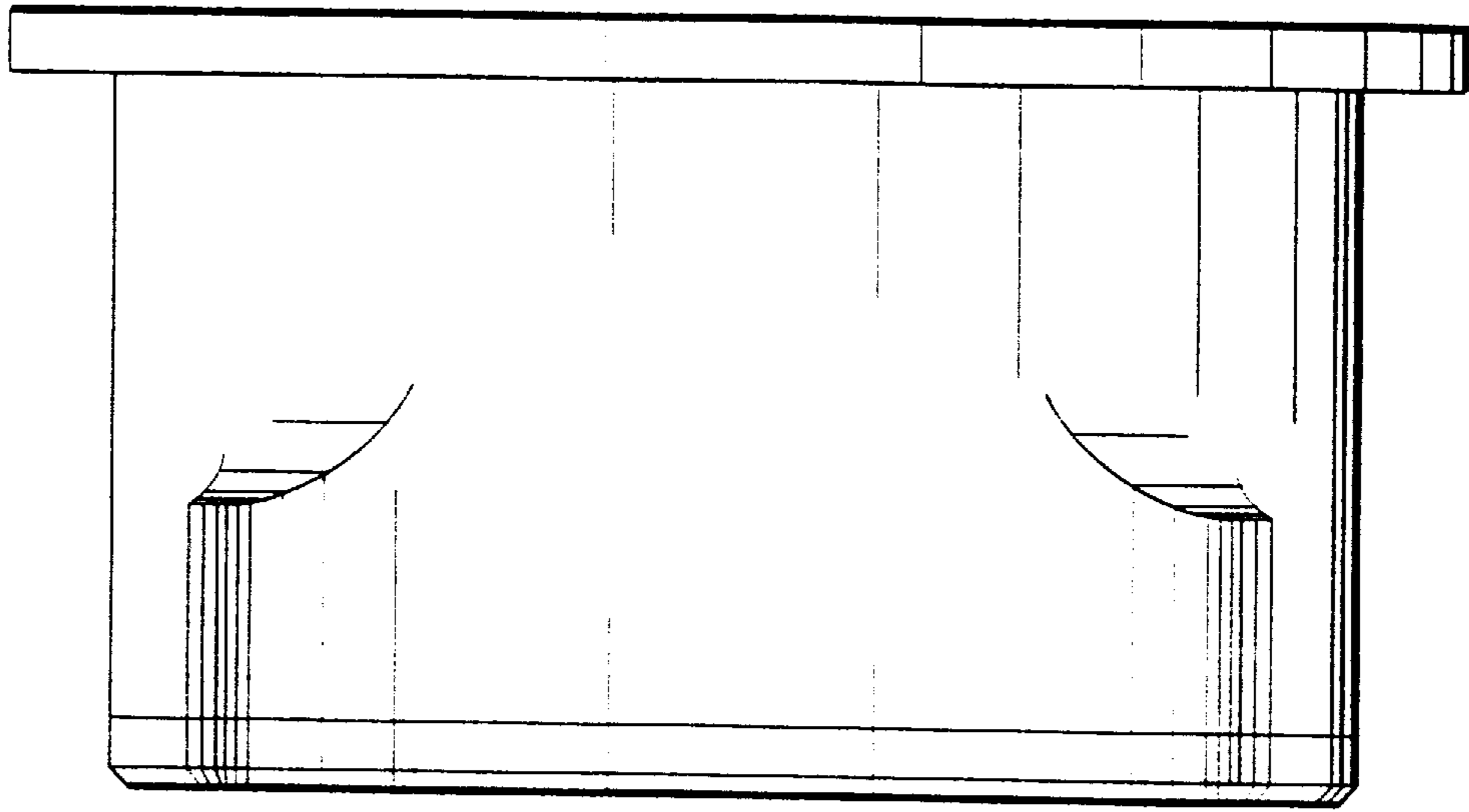


Fig. 9

