



US00D459250S

(12) **United States Design Patent**
Kitamura

(10) **Patent No.:** **US D459,250 S**

(45) **Date of Patent:** **** Jun. 25, 2002**

(54) **FISH FINDER**

(75) Inventor: **Kenya Kitamura**, Osaka (JP)

(73) Assignees: **Matsushita Electric Industrial Co., Ltd.; Matsushita Seiko Co., Ltd.**, both of Osaka (JP)

(**) Term: **14 Years**

(21) Appl. No.: **29/144,934**

(22) Filed: **Jul. 11, 2001**

(30) **Foreign Application Priority Data**

Jan. 17, 2001 (JP) 2001-000671

(51) **LOC (7) Cl.** **10-04**

(52) **U.S. Cl.** **D10/65**

(58) **Field of Search** D10/46, 65; 367/99-116, 367/165, 173, 188, 910

(56) **References Cited**

U.S. PATENT DOCUMENTS

4,943,951 A * 7/1990 Leavell et al. 367/111
6,094,402 A * 7/2000 Cooper et al. 367/188
6,201,767 B1 * 3/2001 Lagace et al. 367/173

OTHER PUBLICATIONS

DT-3 Digital Temp. Gauge, DT-5 Digital Depth Sounder, PS-7 50m Water Proof Portable Sounder, and PS-7 FL Portable Sounder With Float Sensor, Hondex® catalog-Honda Electronics, issued Apr. 1, 2001. ,

“Wonder Swan™ Handy Sonar,” <http://www.swan.channel.or.jp/swan/software/line_up/handy_sona/index.html>, Bandai Co., Ltd., published in 1999.

* cited by examiner

Primary Examiner—Antonie Duval Davis

(74) *Attorney, Agent, or Firm*—Christensen O’Connor Johnson Kindness, PLLC

(57) **CLAIM**

The ornamental design for a fish finder, as shown and described.

DESCRIPTION

FIG. 1 is a perspective view of the top, front and right side of a fish finder showing my new design;

FIG. 2 is a front view thereof;

FIG. 3 is a rear view thereof;

FIG. 4 is a top plan view thereof;

FIG. 5 is a bottom view thereof;

FIG. 6 is a right side view thereof; and,

FIG. 7 is a left side view thereof.

1 Claim, 4 Drawing Sheets

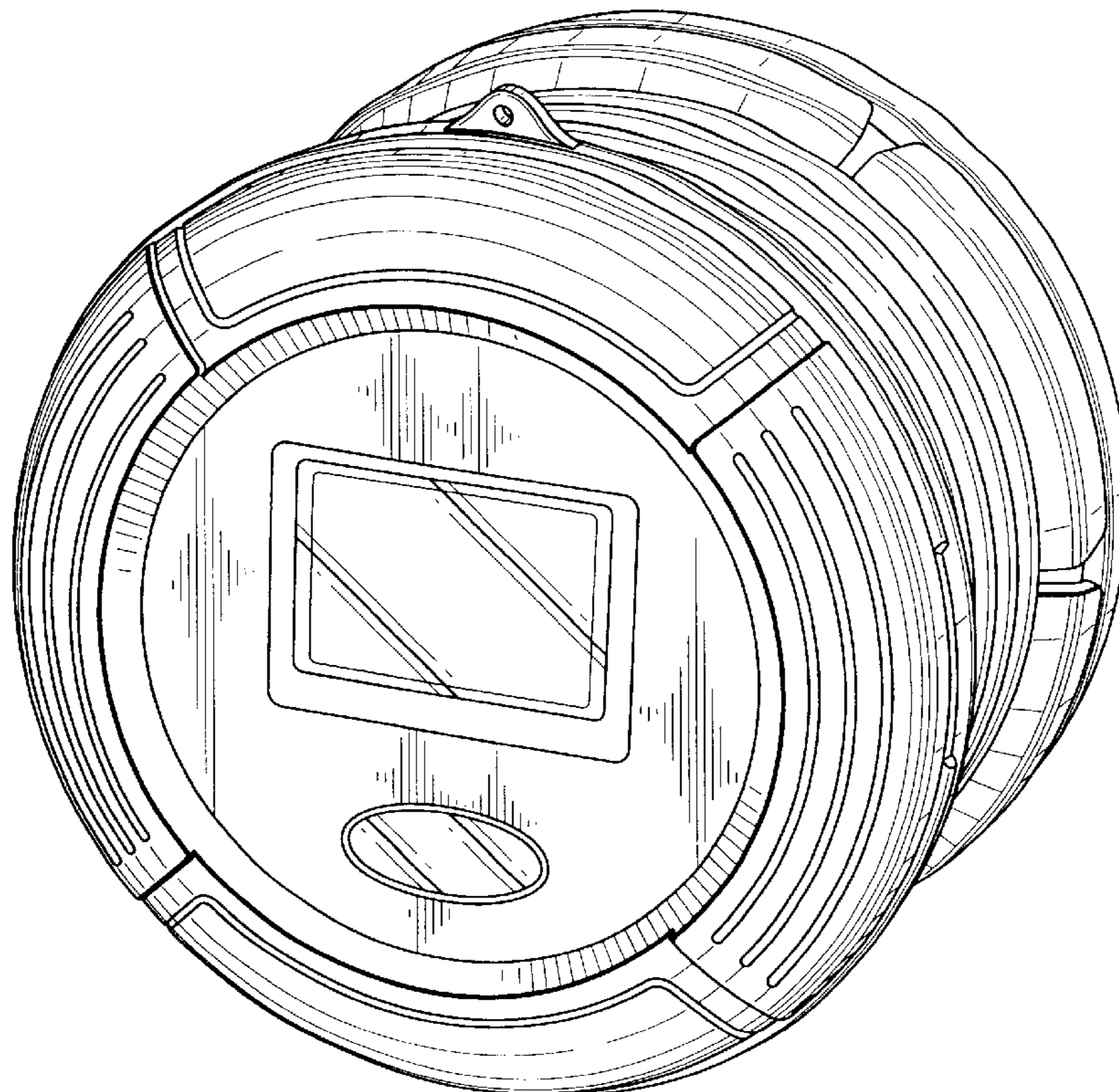


FIG. 1

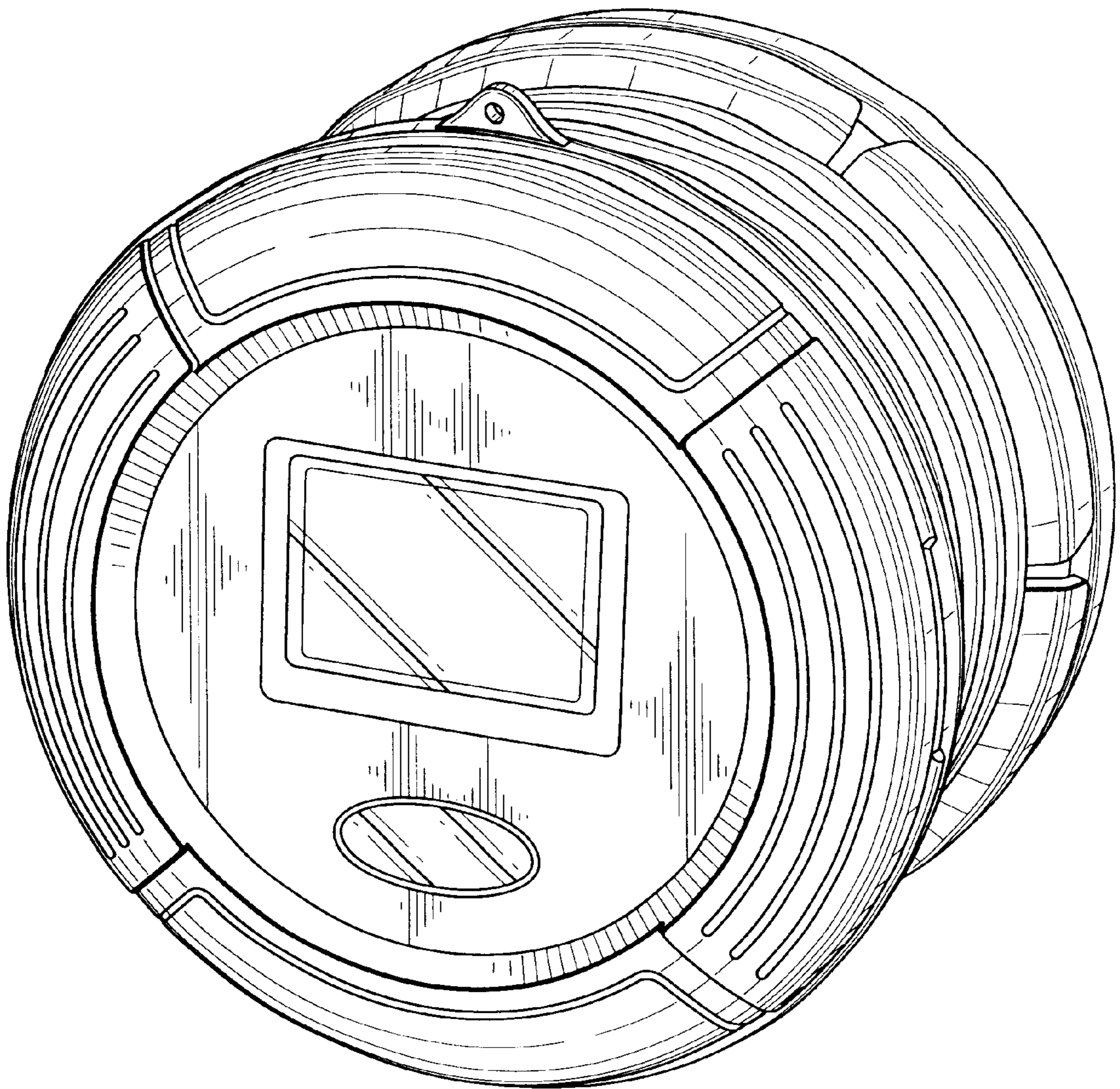


FIG. 2

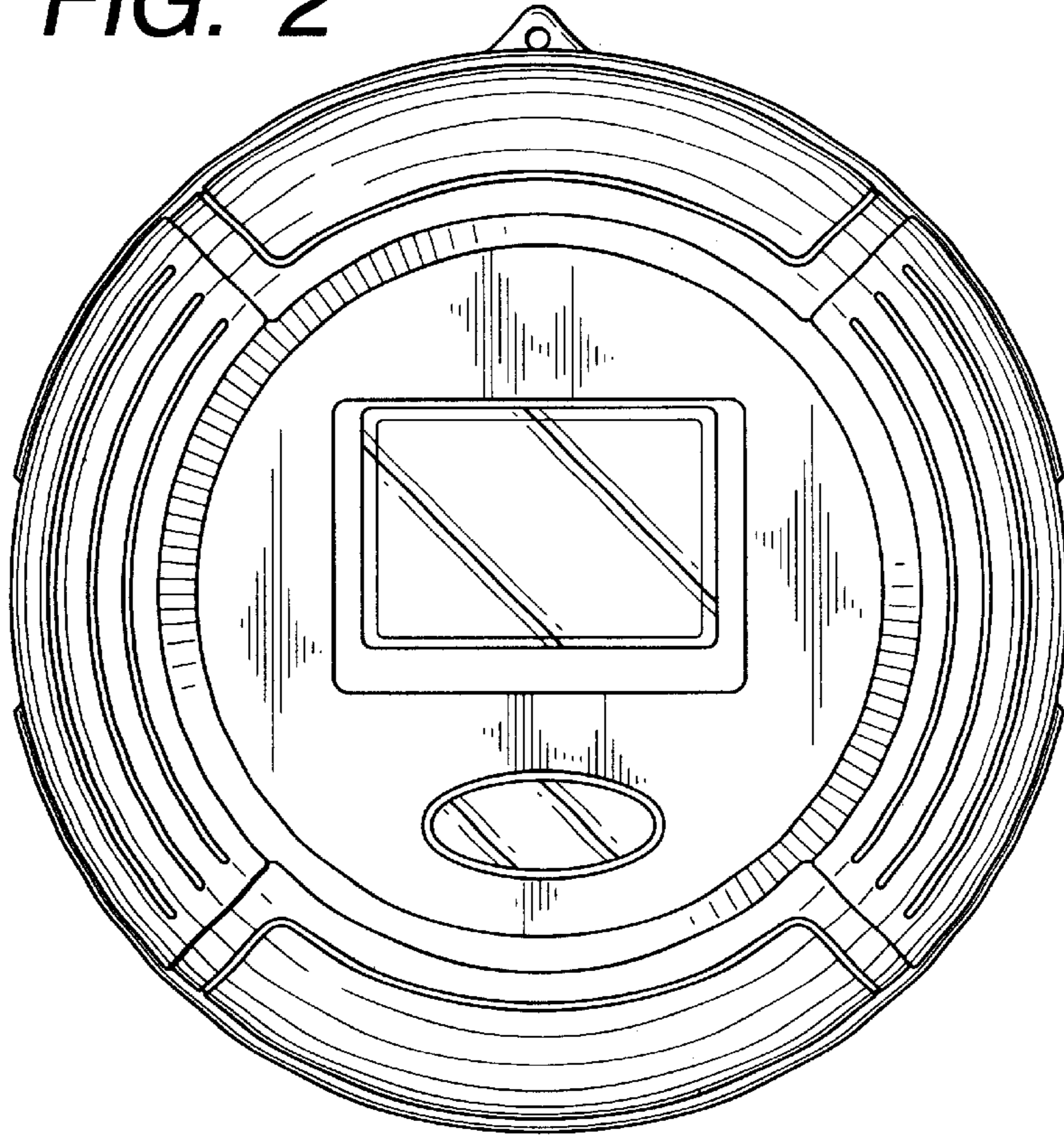


FIG. 3

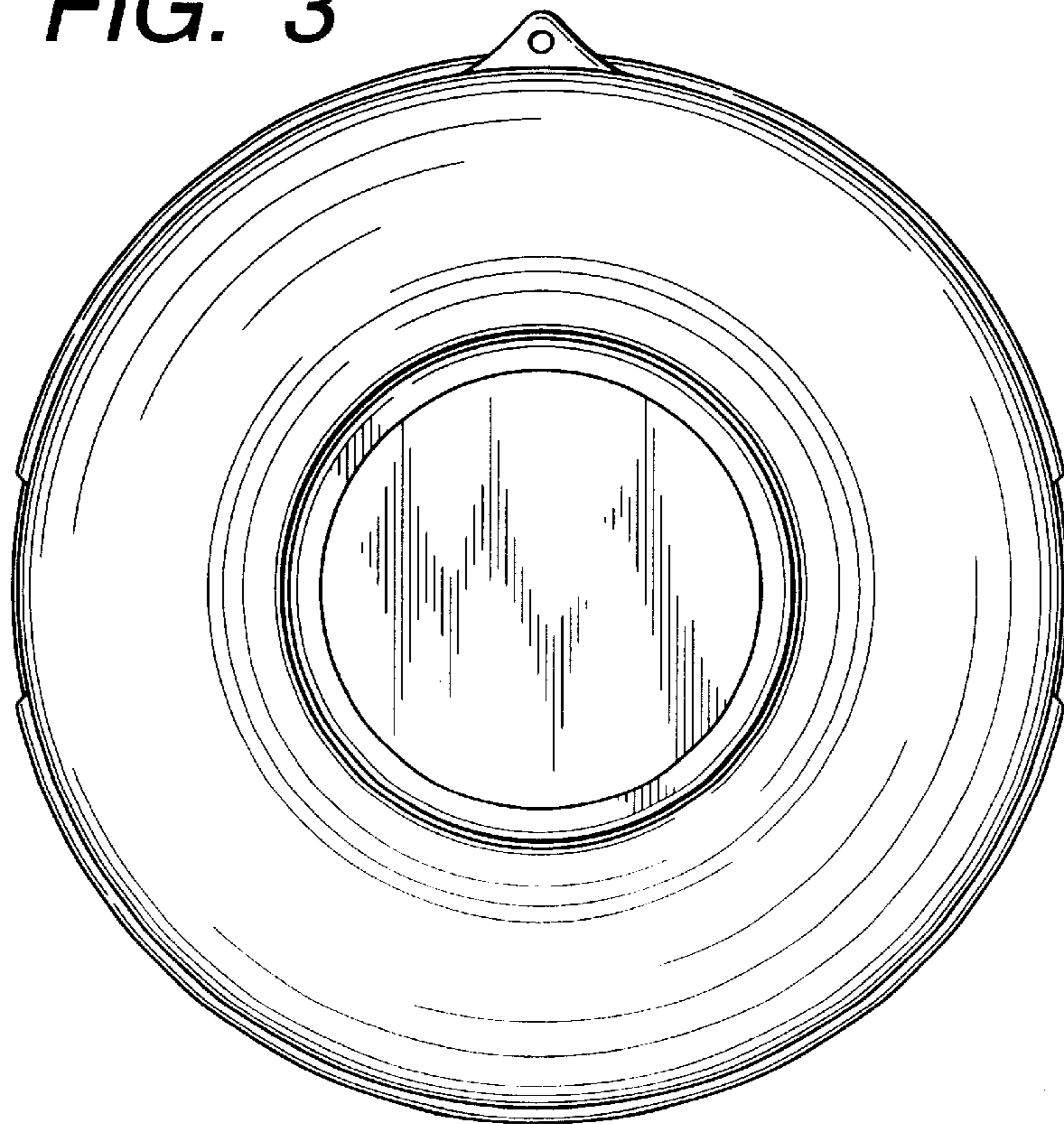


FIG. 4

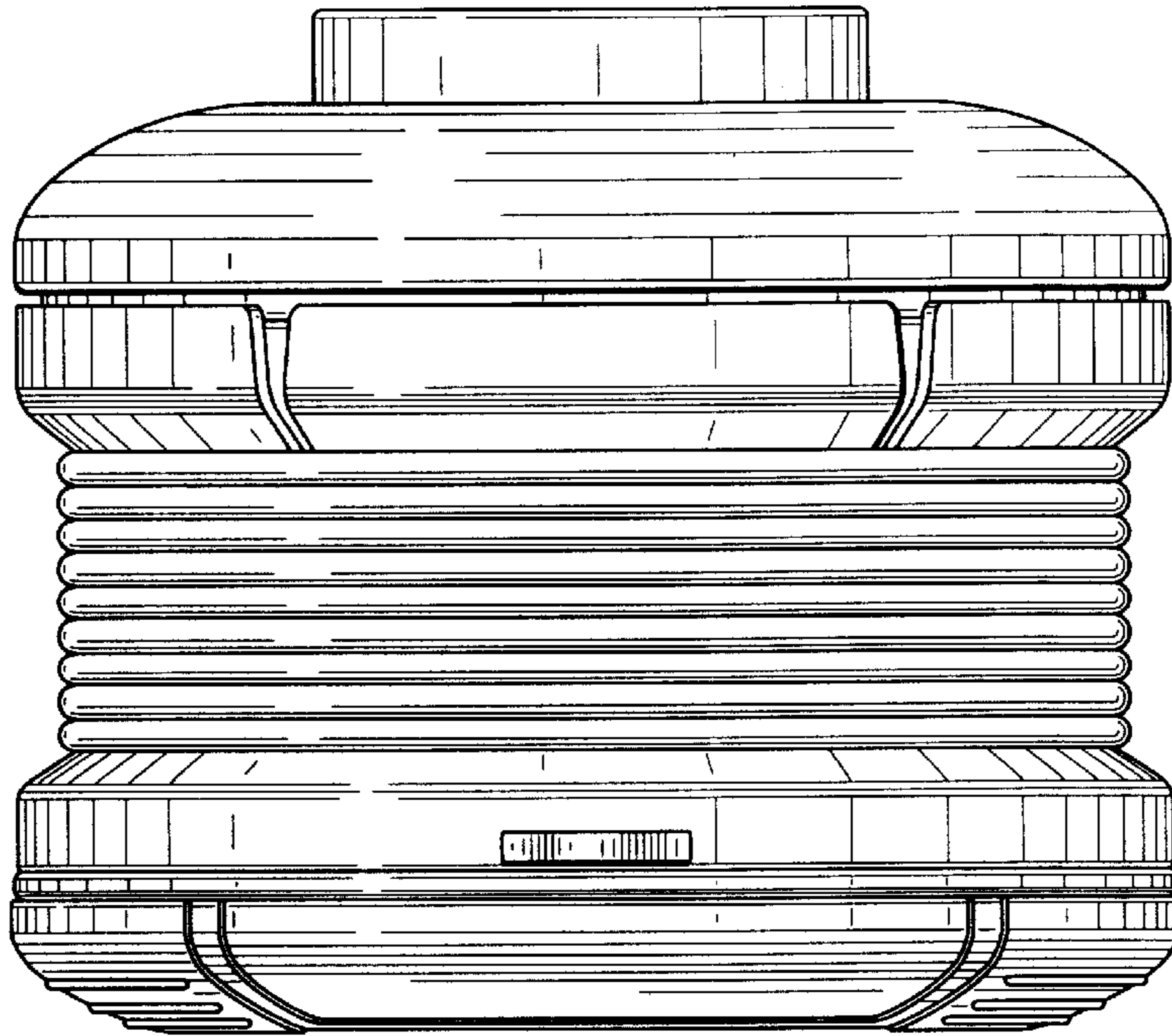


FIG. 5

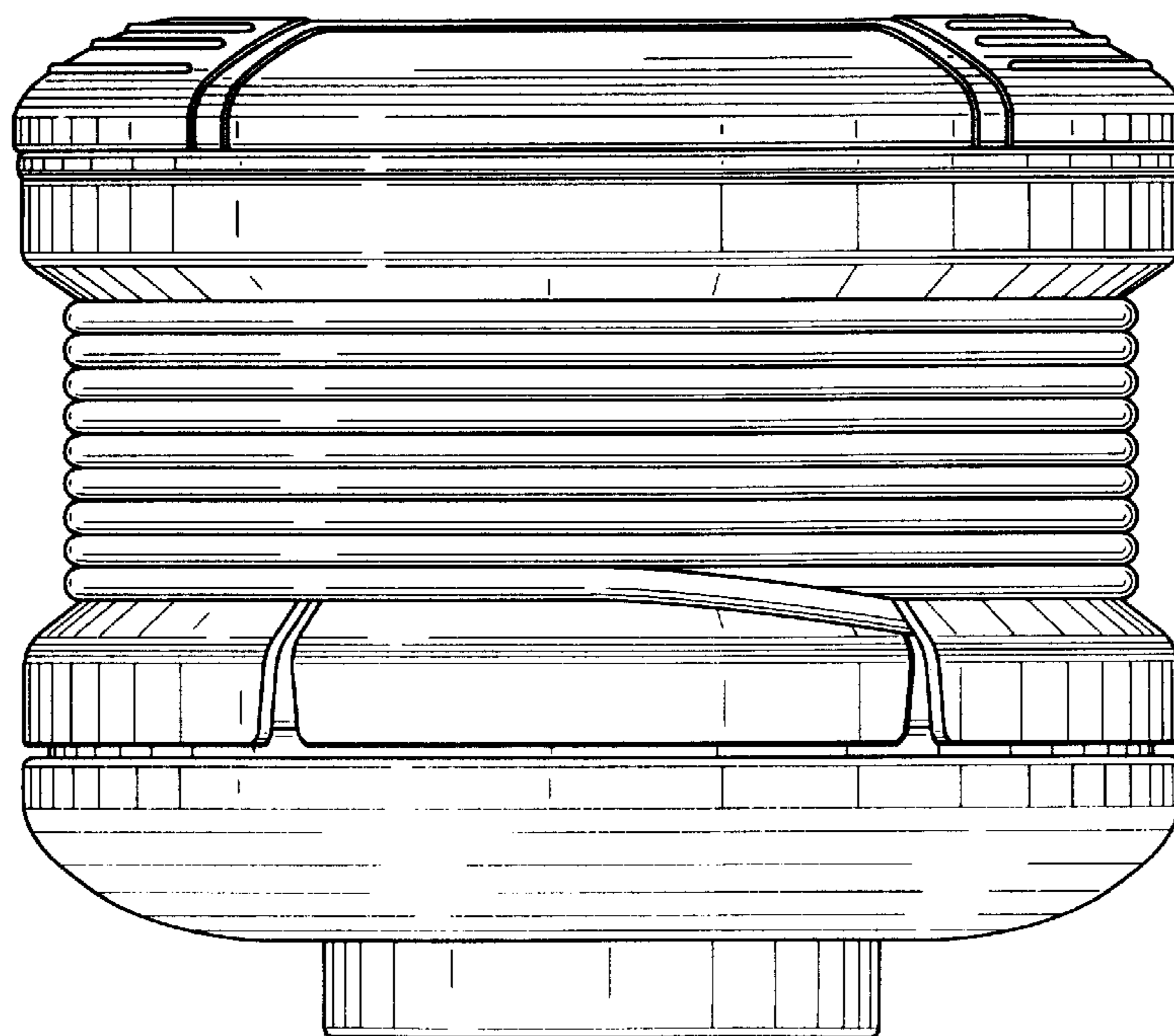


FIG. 6

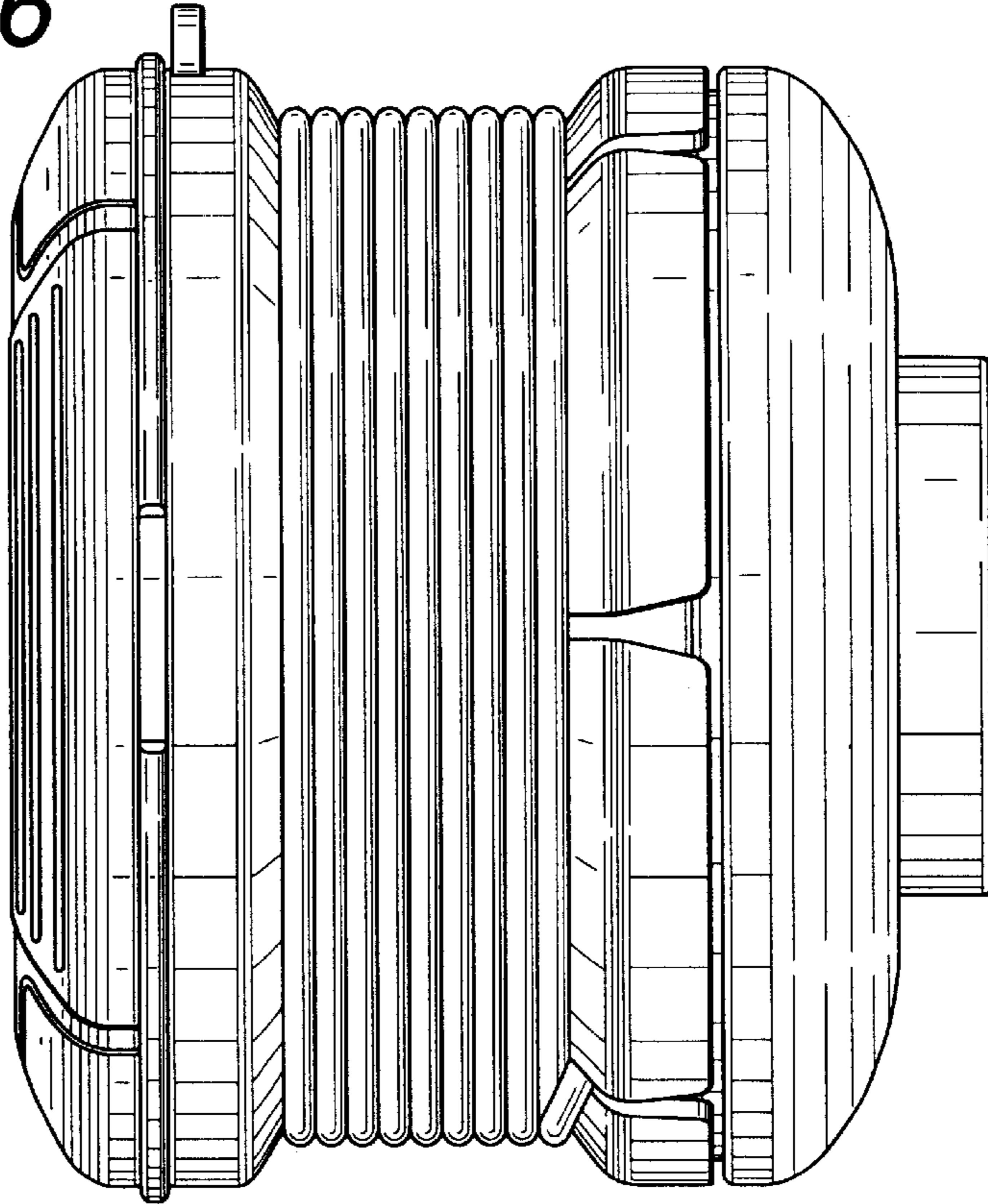


FIG. 7

