



US00D459243S

(12) **United States Design Patent**
Stekelenburg

(10) **Patent No.:** **US D459,243 S**

(45) **Date of Patent:** **** Jun. 25, 2002**

(54) **TIMER**

(75) Inventor: **Albert Stekelenburg**, Taipei (TW)

(73) Assignee: **All-Time Inc.** (TW)

(**) Term: **14 Years**

(21) Appl. No.: **29/148,335**

(22) Filed: **Sep. 19, 2001**

(51) **LOC (7) Cl.** **10-03**

(52) **U.S. Cl.** **D10/40**

(58) **Field of Search** D10/1-40, 122-132,
D10/75; 200/38 R; 307/140 R, 141 R, 141.4;
368/97-100, 107-109, 121, 246

(56) **References Cited**

U.S. PATENT DOCUMENTS

4,029,918 A	*	6/1977	Kah, Jr.	200/38 D
D310,063 S	*	8/1990	Cheng	D13/137.3
D315,893 S	*	4/1991	Cheng	D13/165
5,258,656 A	*	11/1993	Pawlick	307/141
D432,030 S	*	10/2000	Stekelenburg	D10/40
D449,543 S	*	10/2001	Stekelenburg	D10/40
D450,604 S	*	11/2001	Stekelenburg	D10/40

* cited by examiner

Primary Examiner—Nelson C. Holtje

(74) *Attorney, Agent, or Firm*—Troxell Law Office PLLC

(57) **CLAIM**

The ornamental design for a timer, as shown and described.

DESCRIPTION

FIG. 1 is a top view of my timer showing the preferred embodiment of my new design;

FIG. 2 is a front view thereof;

FIG. 3 is a right side elevational view thereof;

FIG. 4 is a bottom view thereof;

FIG. 5 is a left side elevational view thereof;

FIG. 6 is a rear view thereof;

FIG. 7 is a top view thereof with the cover in an open position;

FIG. 8 is a front view thereof with the cover in an open position;

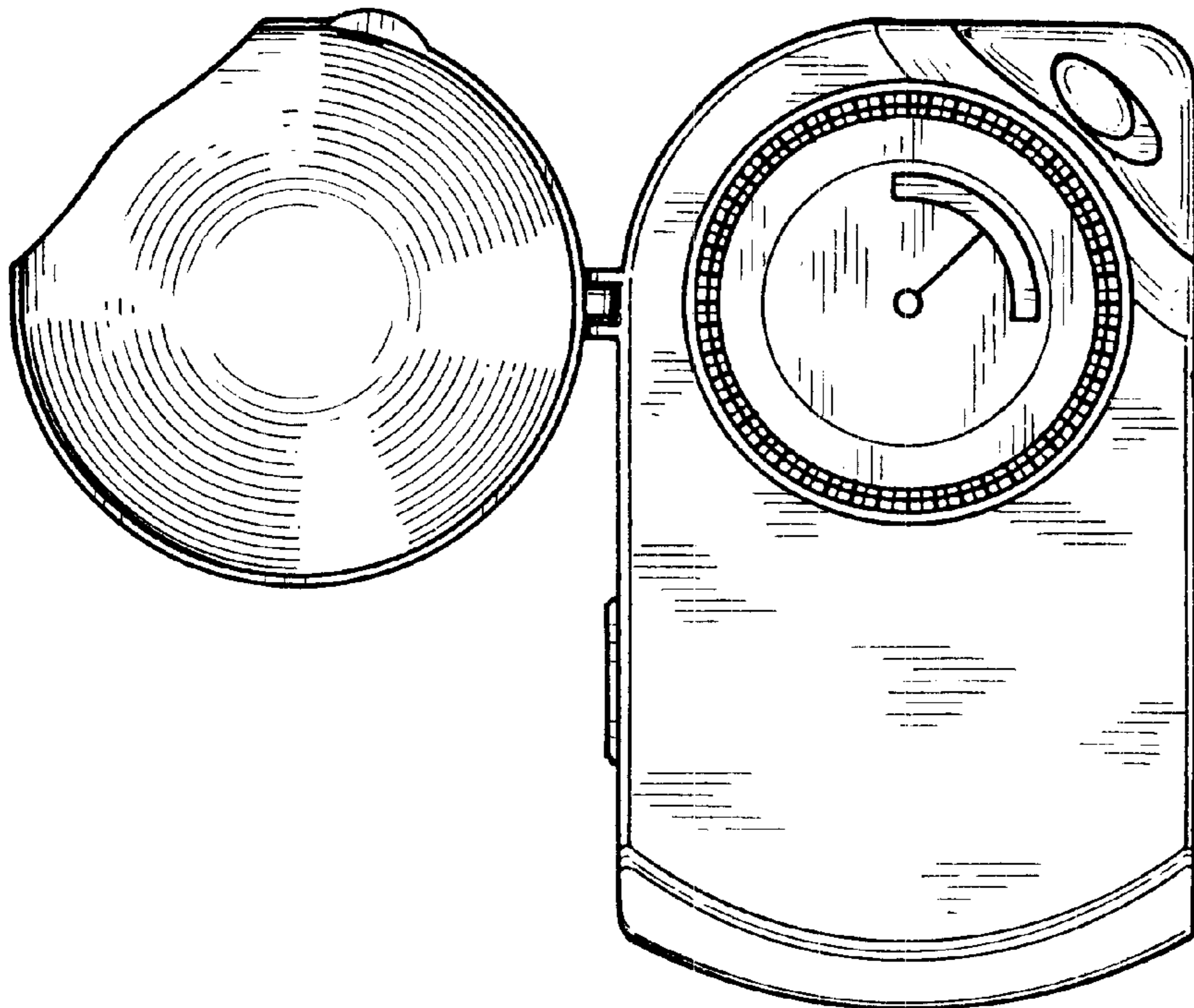
FIG. 9 is a bottom view thereof with the cover in an open position;

FIG. 10 is a right side elevational view thereof with the cover in an open position;

FIG. 11 is a left side elevational view thereof with the cover in an open position; and,

FIG. 12 is a rear view thereof with the cover in an open position.

1 Claim, 4 Drawing Sheets



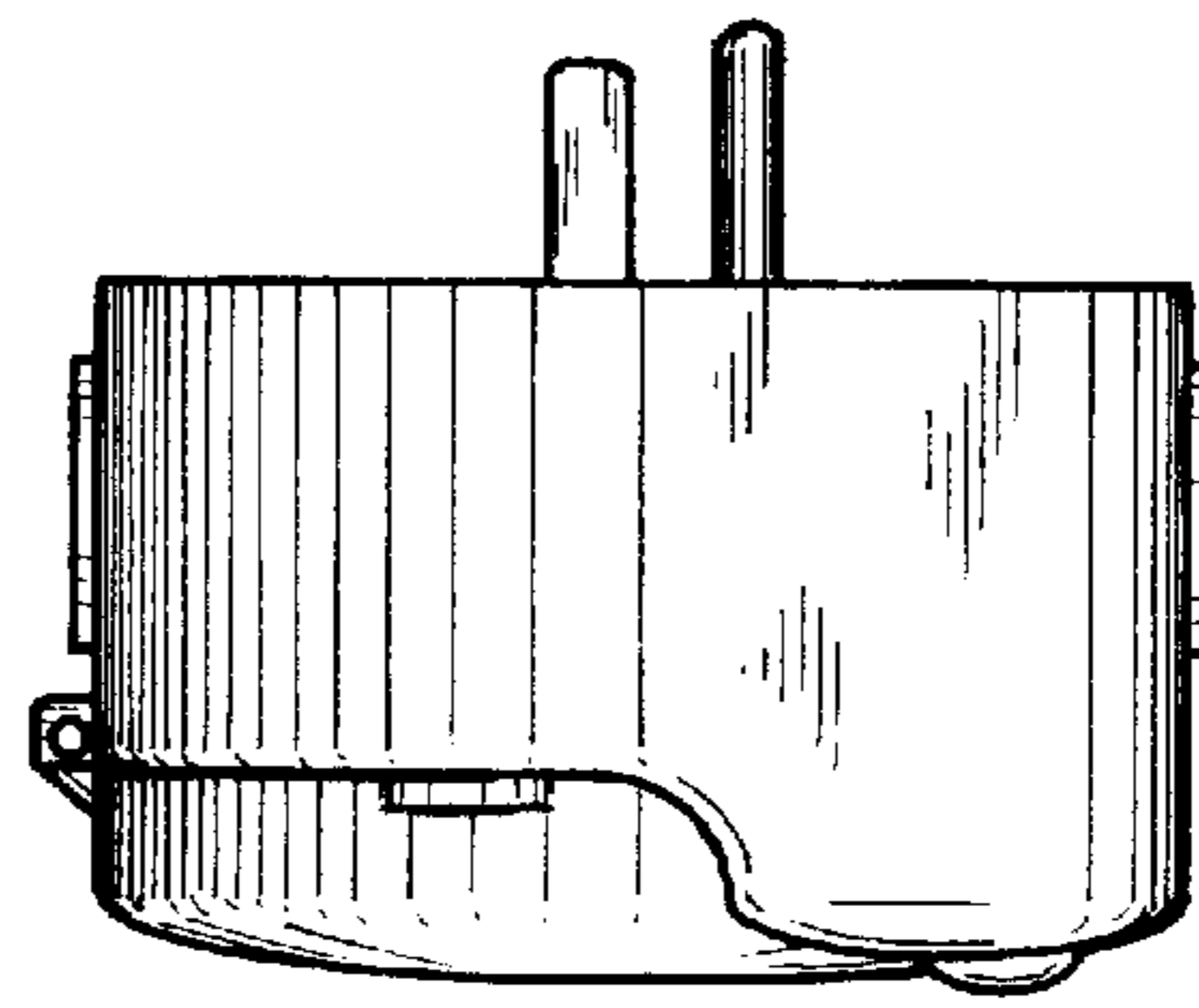


FIG. 1

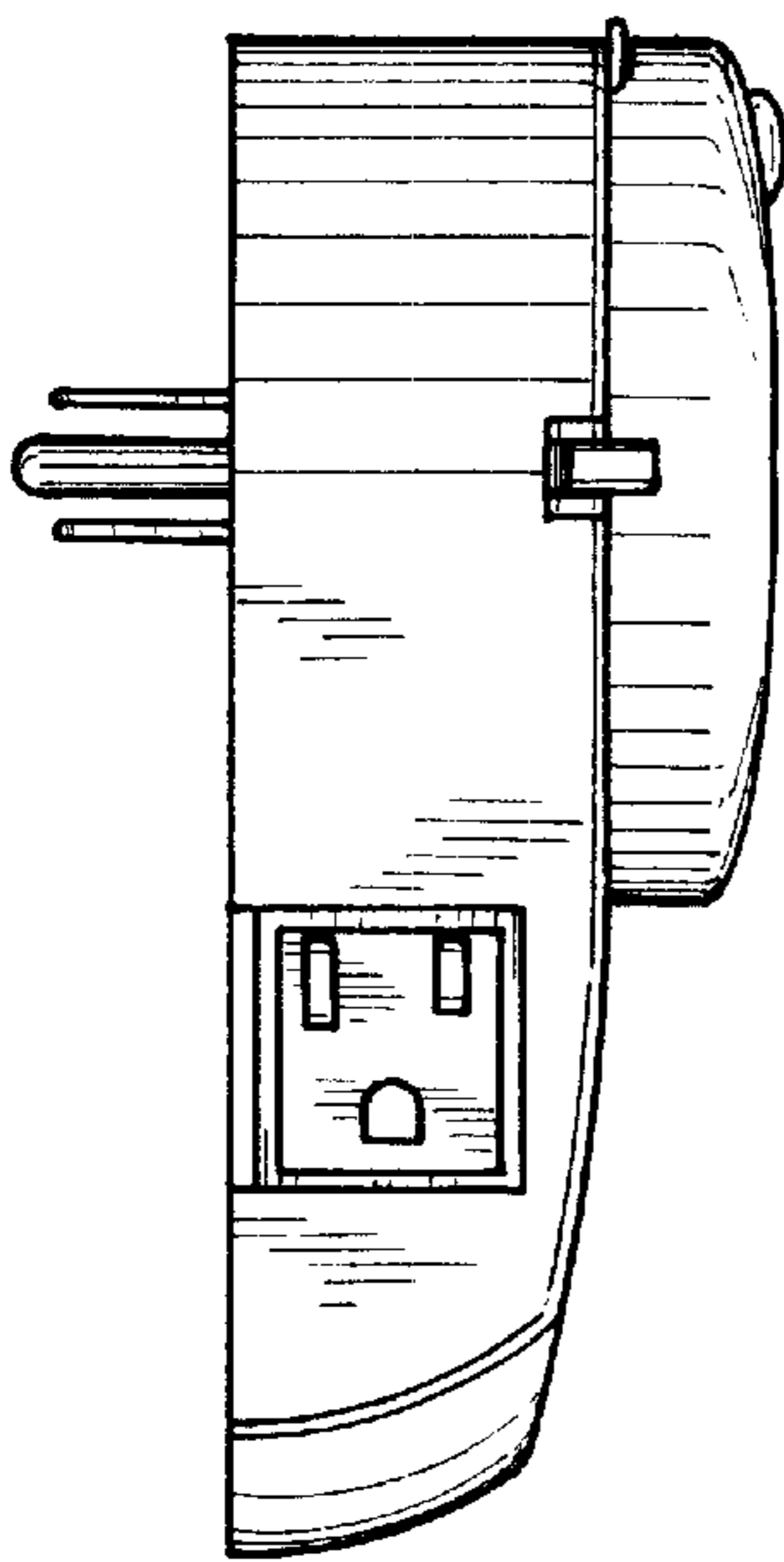


FIG. 3

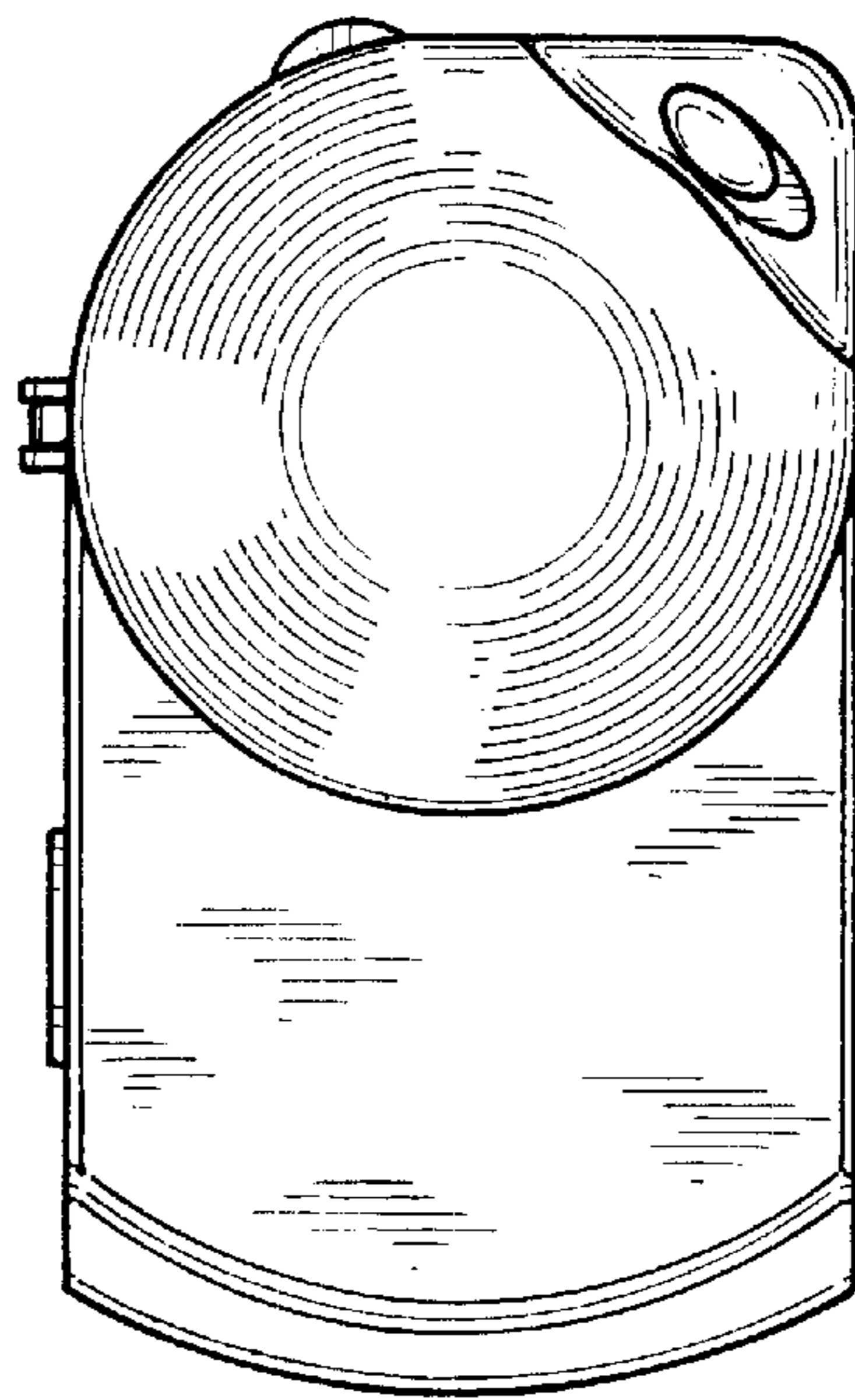


FIG. 2

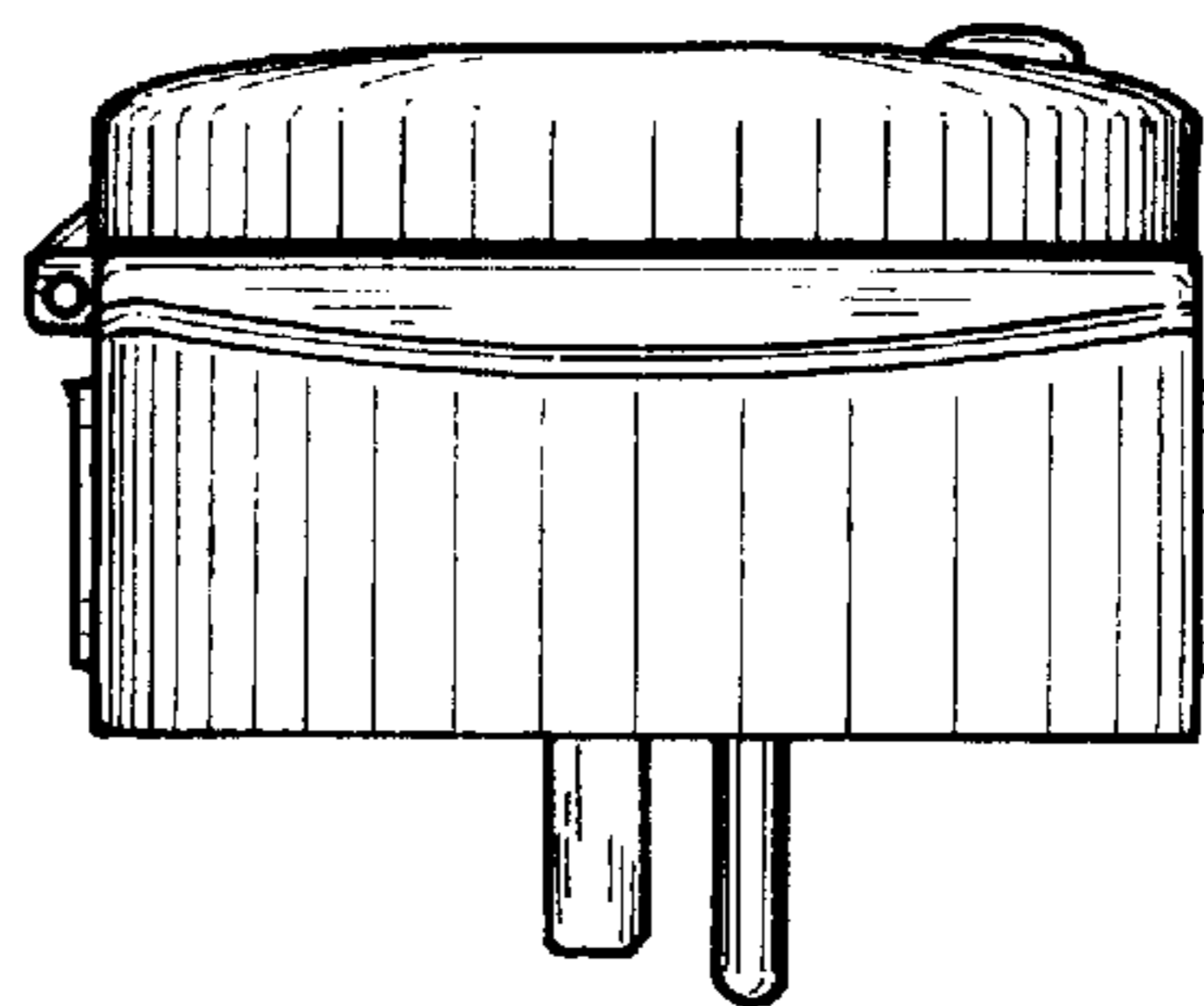


FIG. 4

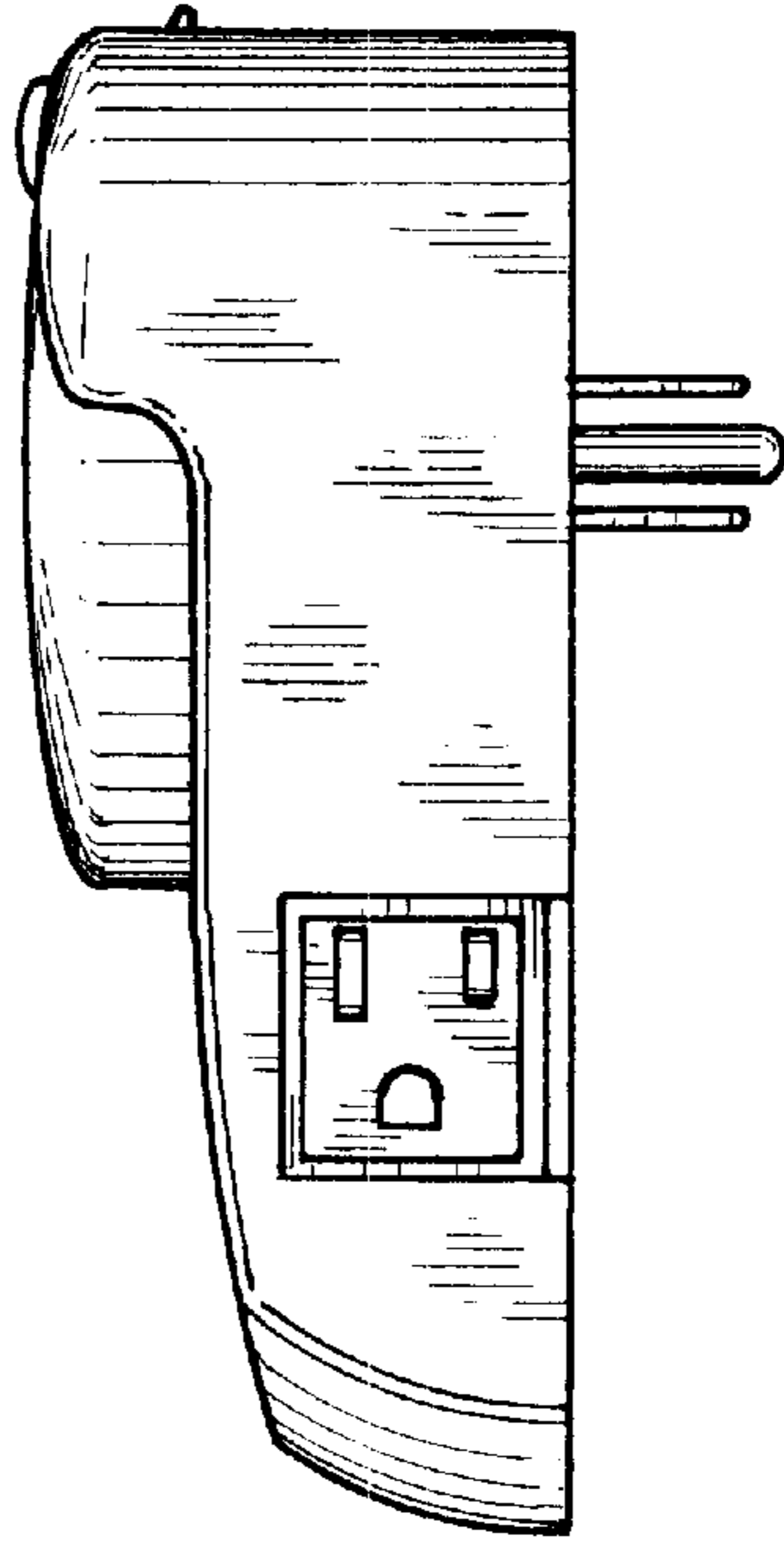


FIG. 5

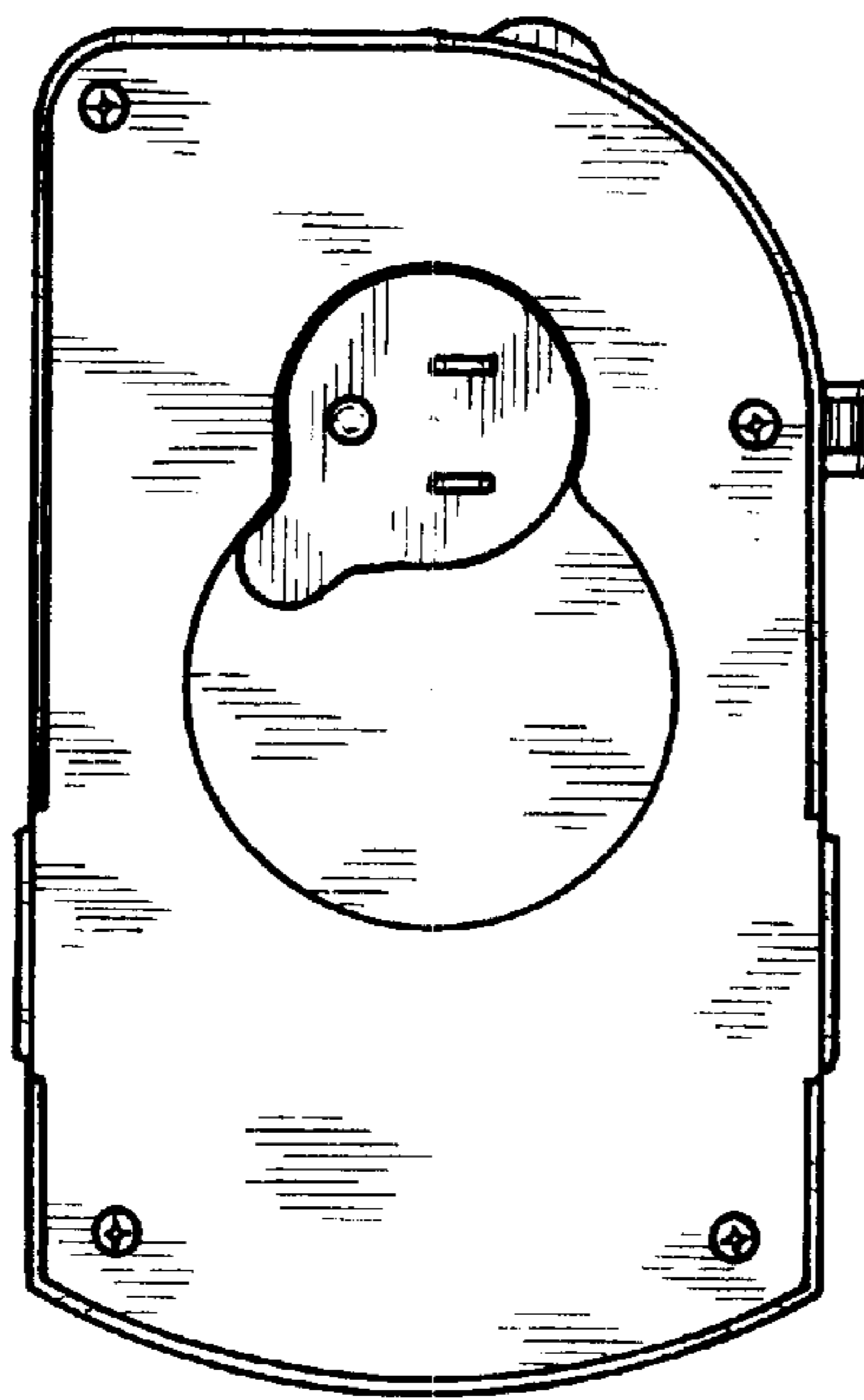


FIG. 6

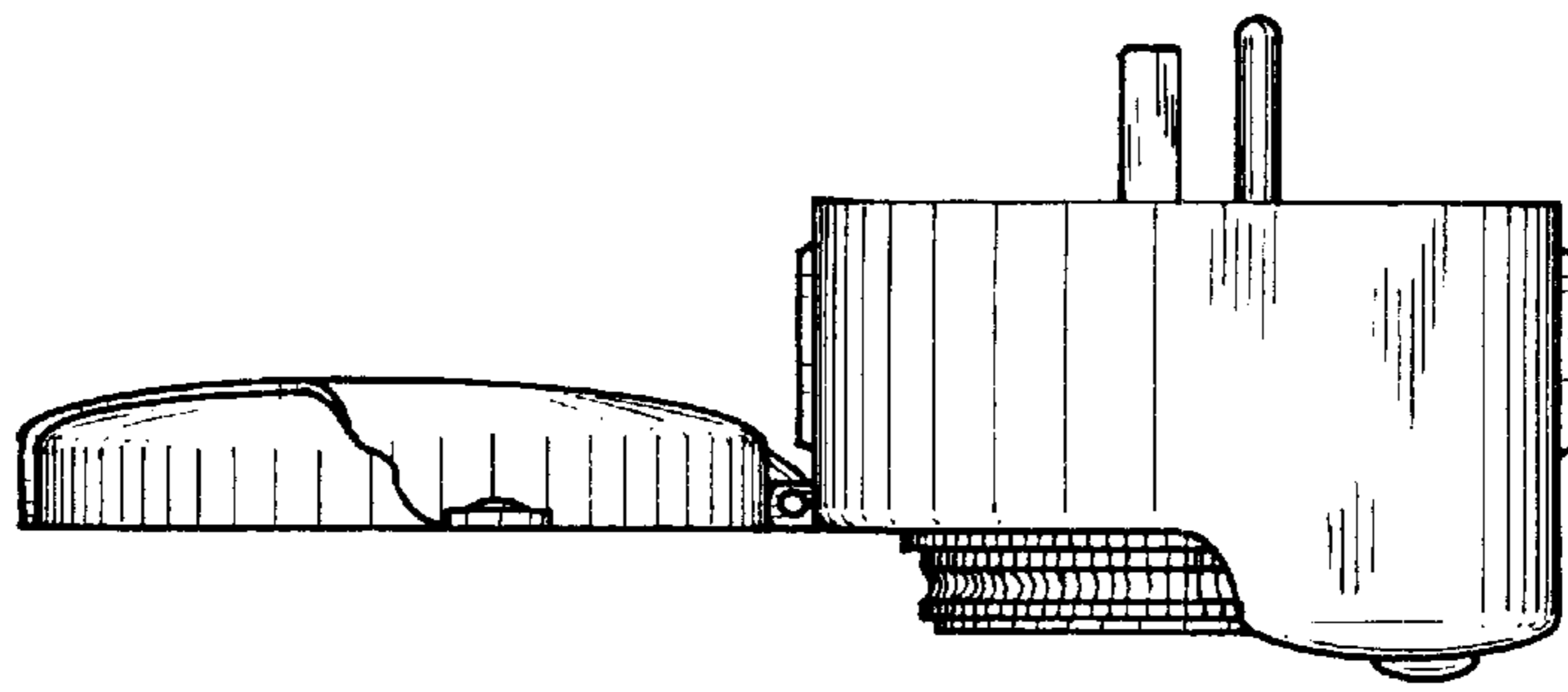


FIG. 7

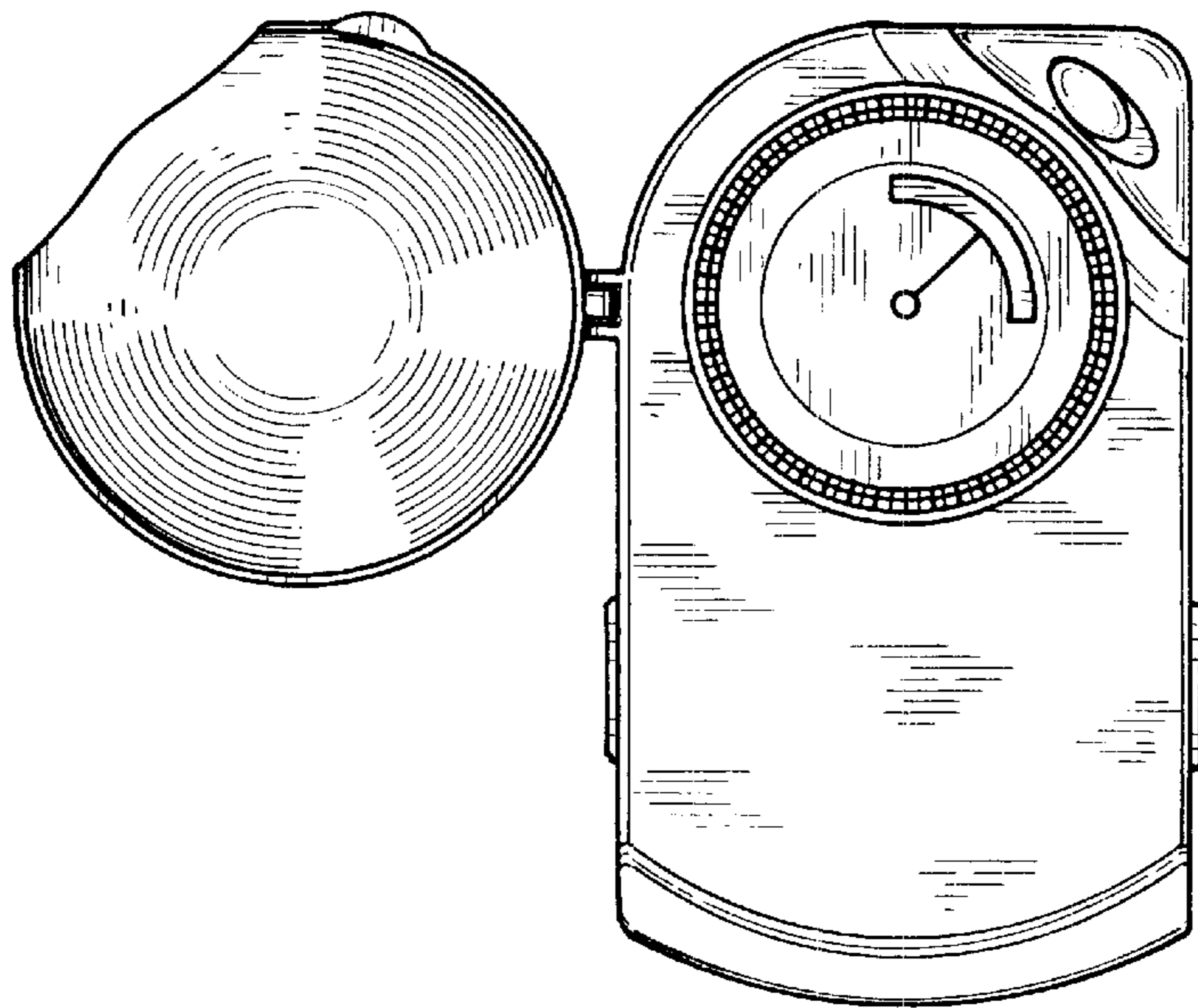


FIG. 8

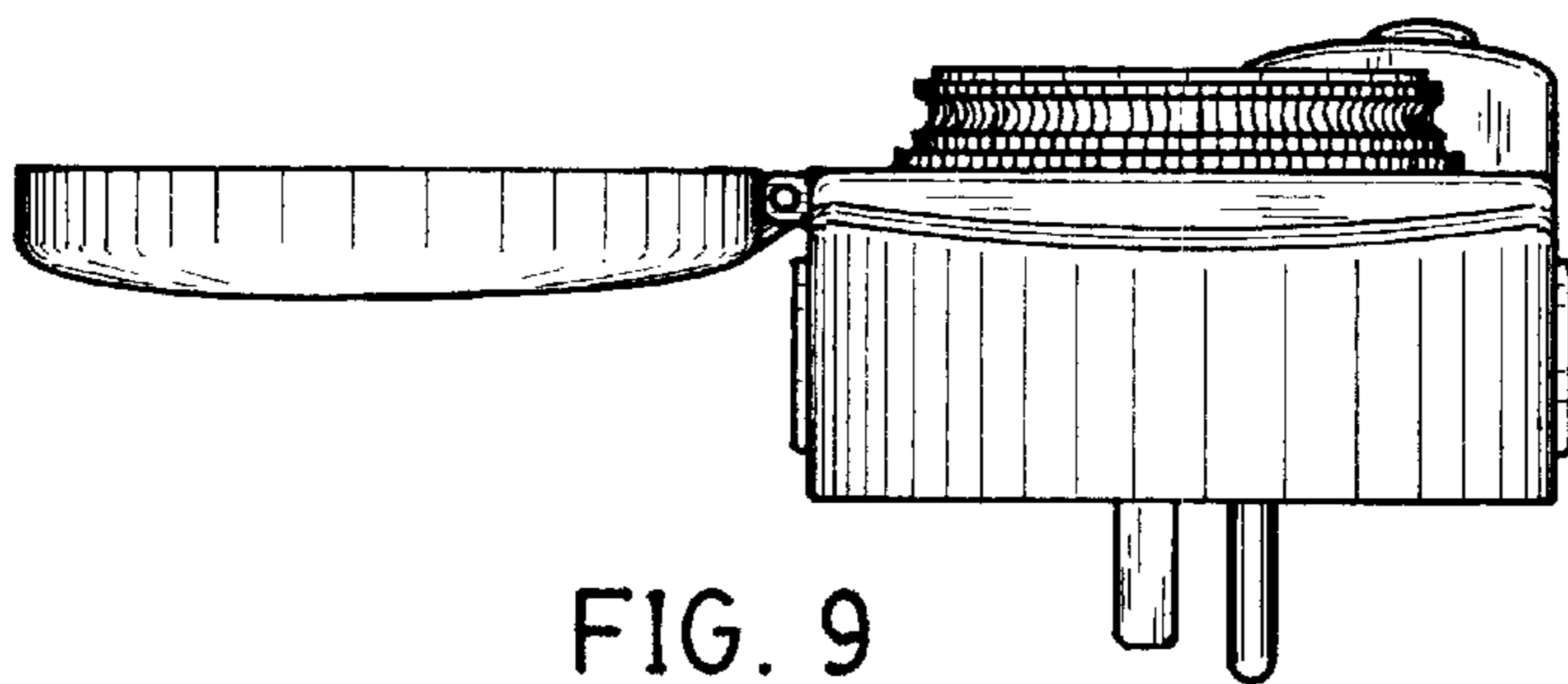


FIG. 9

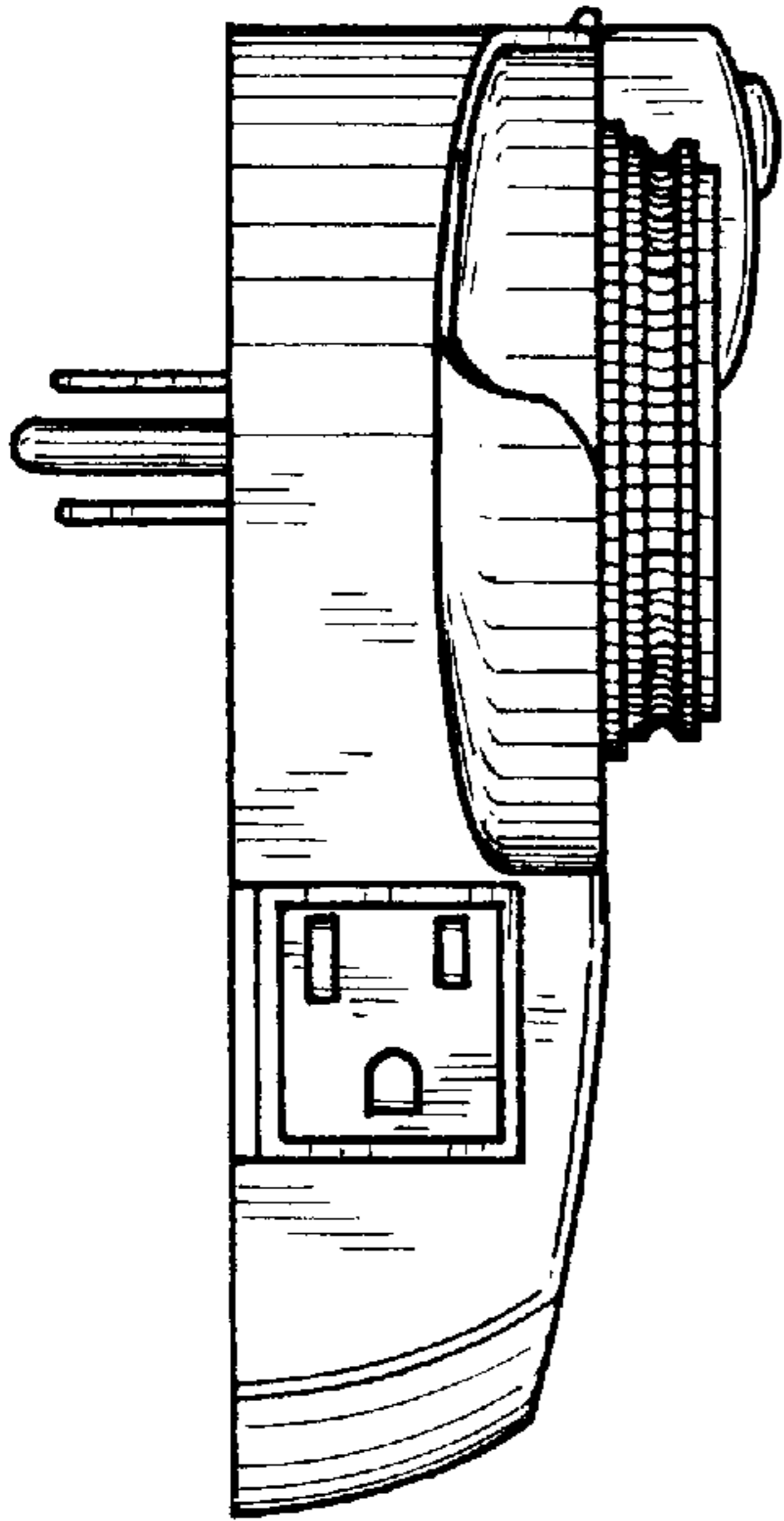


FIG. 10

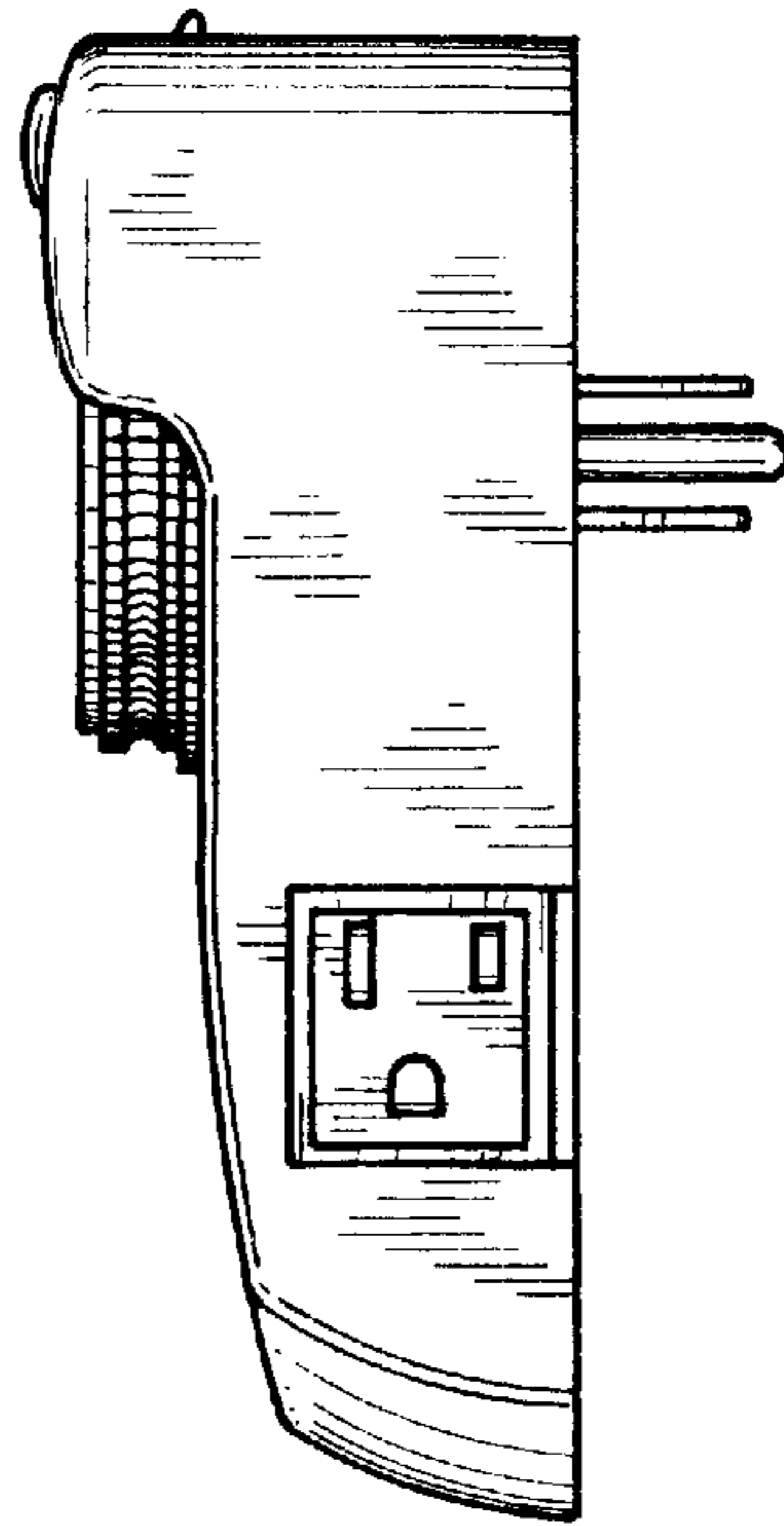


FIG. 11

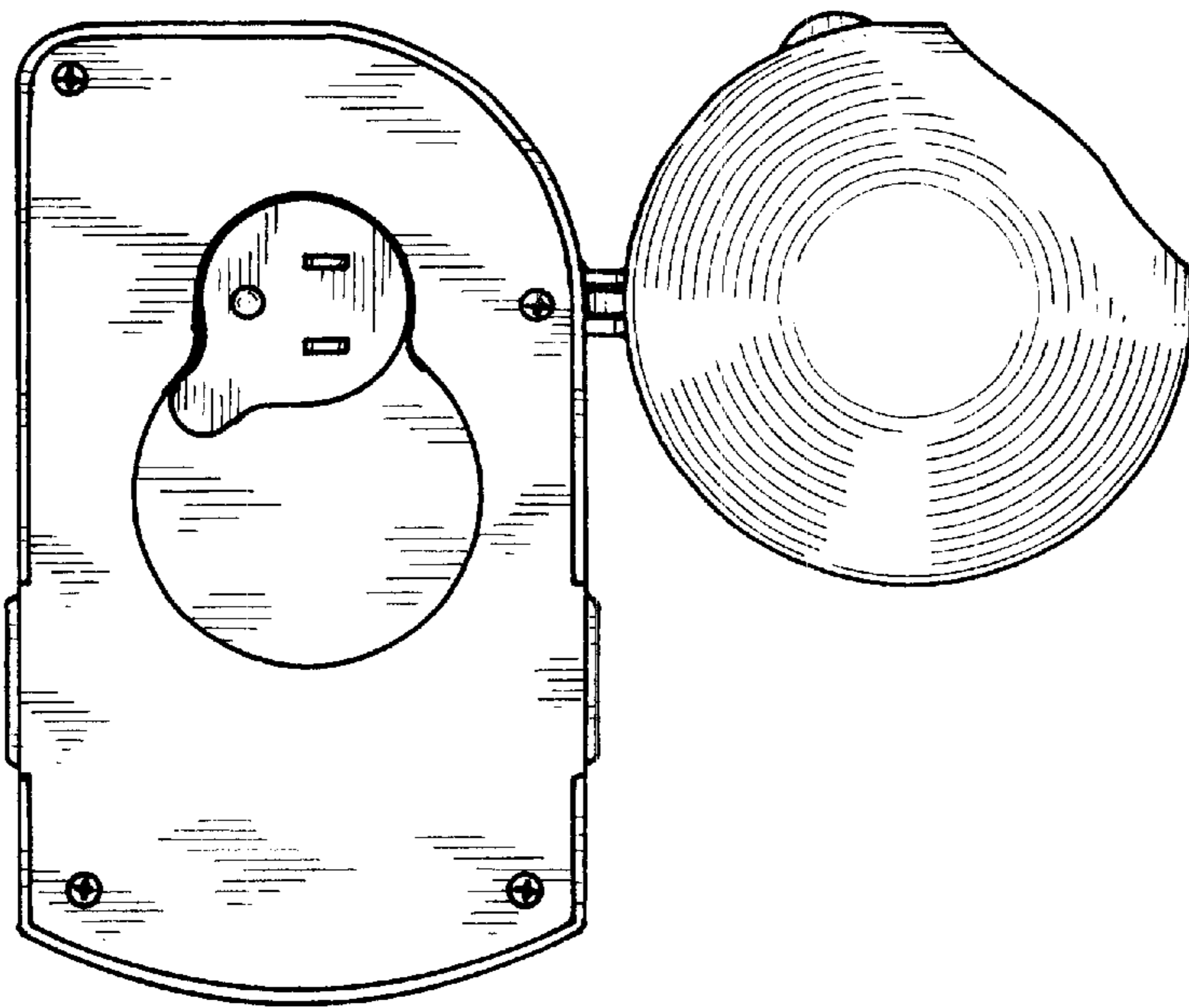


FIG. 12