



US00D459233S

(12) **United States Design Patent**
Young

(10) **Patent No.:**

US D459,233 S

(45) **Date of Patent:**

**** Jun. 25, 2002**

(54) **RING SHAPED BOTTLE**

(76) Inventor: **Michael Young**, 23 Bishop La.,
Hanover, MA (US) 02339

(**) Term: **14 Years**

(21) Appl. No.: **29/140,971**

(22) Filed: **Apr. 27, 2001**

(51) **LOC (7) Cl.** **09-01**

(52) **U.S. Cl.** **D9/535**

(58) **Field of Search** D9/503, 508, 516,
D9/521, 530, 531, 535, 539, 548, 549,
551, 558, 564, 574, 575, 300; 215/381-385,
396, 398, 6

(56) **References Cited**

U.S. PATENT DOCUMENTS

43,154 A	*	6/1864	Heneage	215/383
D86,570 S	*	3/1932	Humphreys	D9/535
D86,703 S	*	4/1932	Delich	D9/544
D105,379 S	*	7/1937	Guerlain	D9/542
D129,514 S	*	9/1941	Parkinson	D9/544

D163,937 S	*	7/1951	De Montesquiou	D9/320
			Sezensac	D9/320
D175,090 S	*	7/1955	Newton	D9/337
3,171,559 A	*	3/1965	Ferree	215/385
D290,687 S	*	7/1987	Llorente	D9/529
D301,307 S	*	5/1989	Pakzad	D9/535
D397,039 S	*	8/1998	Dickson et al.	D9/544

* cited by examiner

Primary Examiner—Ted Shooman

Assistant Examiner—Carol Rademaker

(74) *Attorney, Agent, or Firm*—Weingarten, Schurgin,
Gagnebin & Lebovici LLP

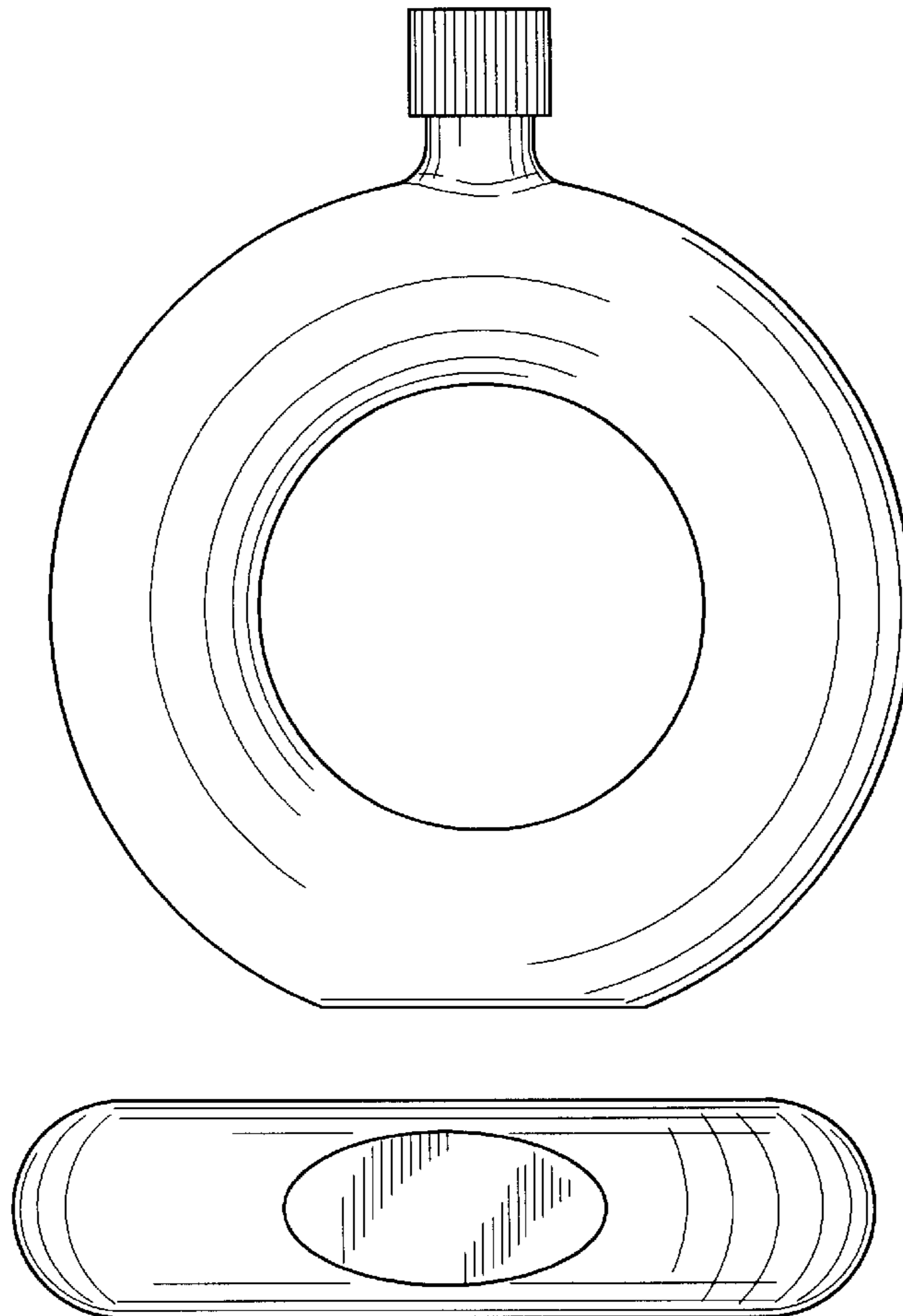
(57) **CLAIM**

The ornamental design for a ring shaped bottle, as shown.

DESCRIPTION

FIG. 1 is a front view of the ring shaped bottle;
FIG. 2 is a side view of the ring shaped bottle;
FIG. 3 is a top view of the ring shaped bottle; and,
FIG. 4 is a bottom view of the ring shaped bottle.

1 Claim, 1 Drawing Sheet



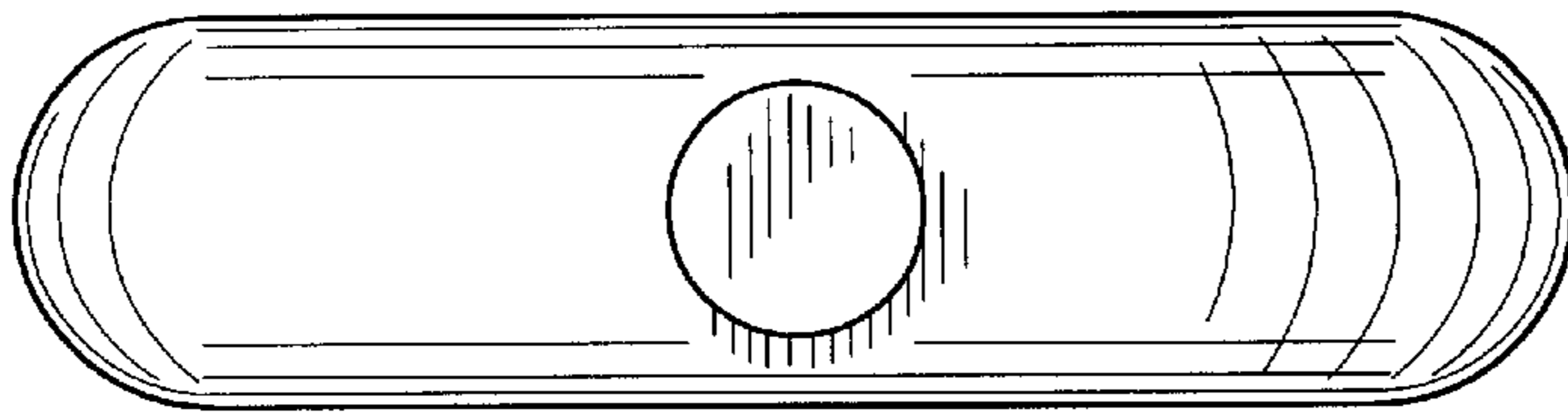


FIG. 3

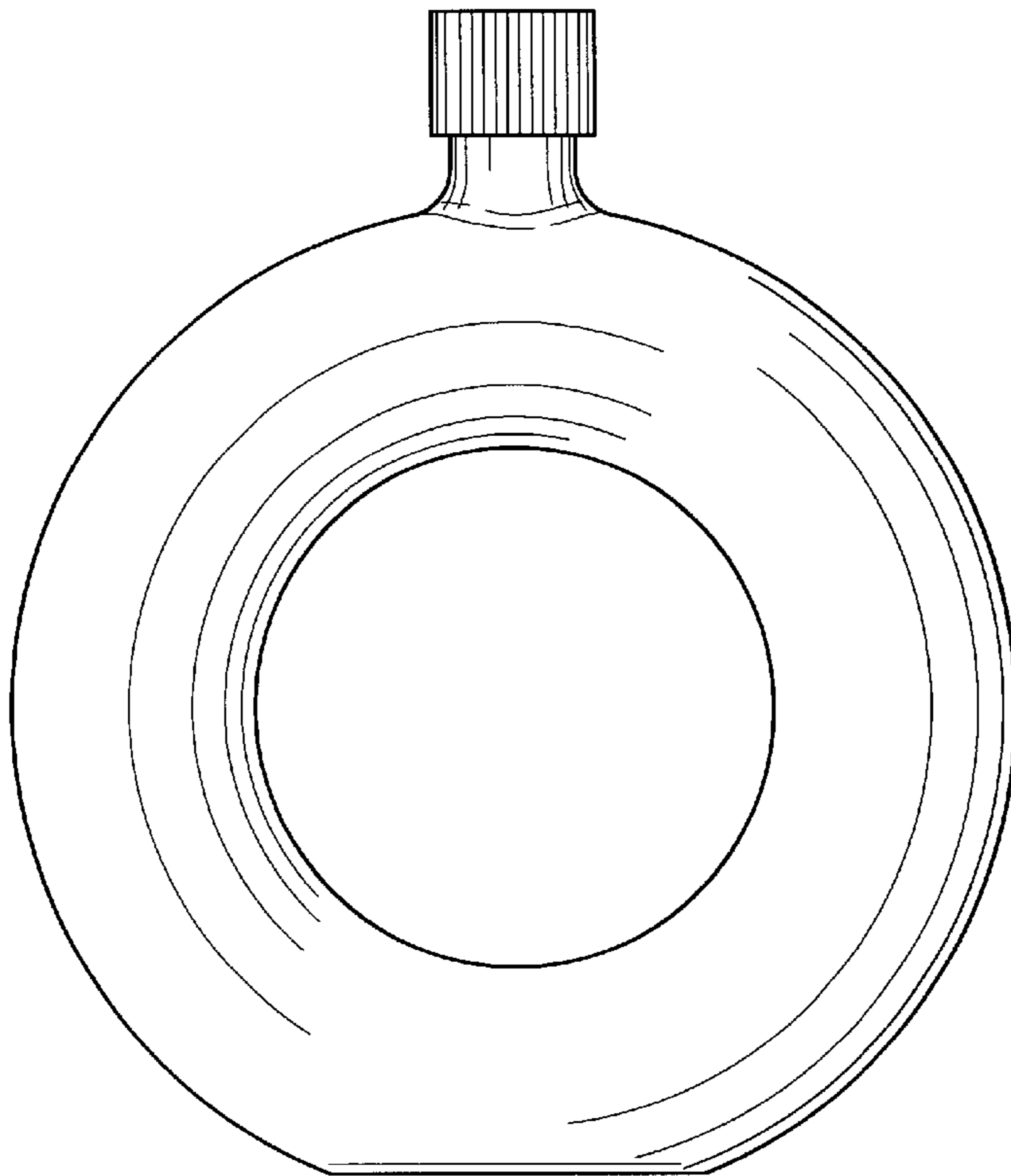


FIG. 1

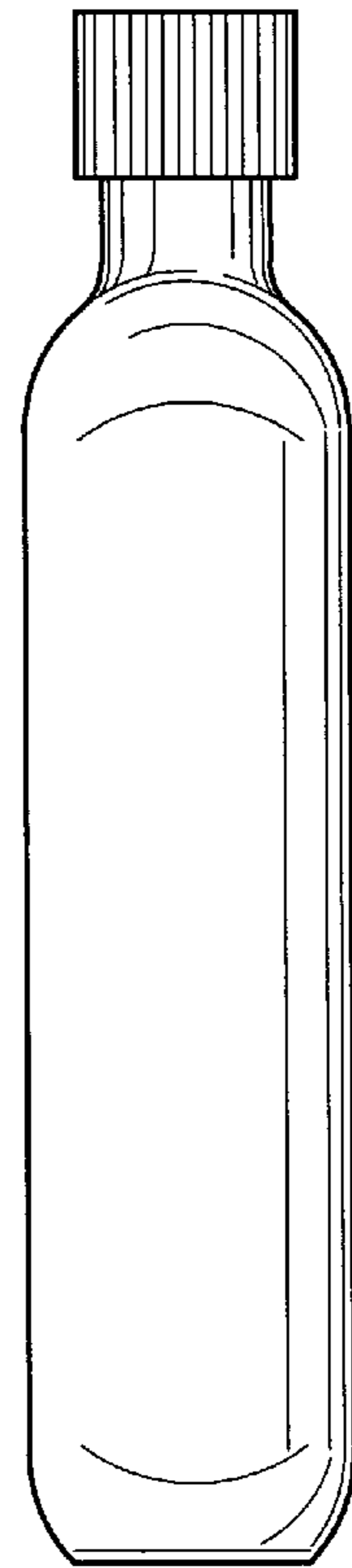


FIG. 2

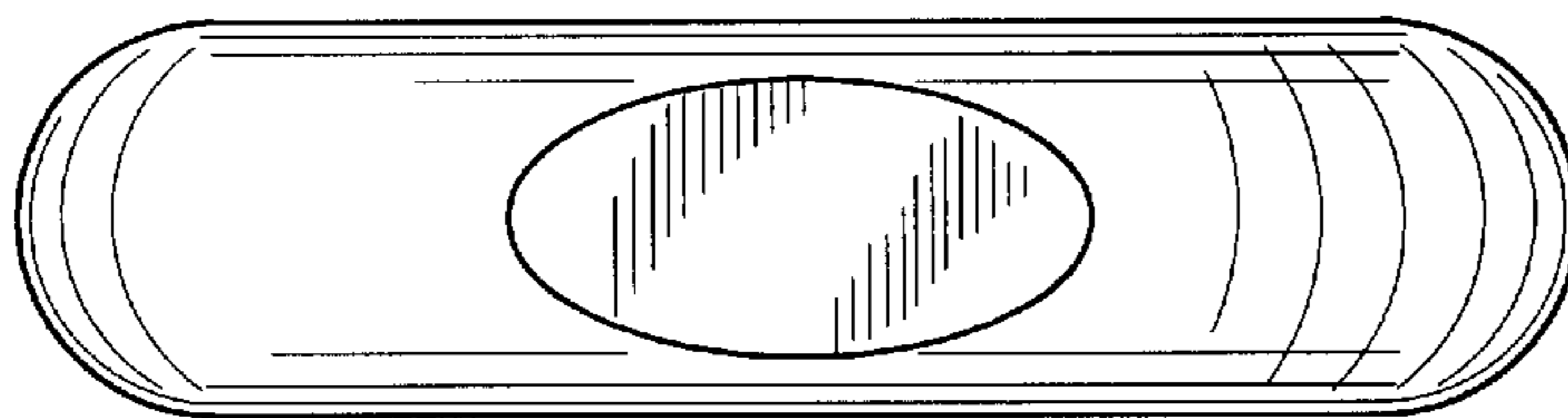


FIG. 4