



US00D459228S

(12) **United States Design Patent**
Hierzer

(10) **Patent No.:** **US D459,228 S**

(45) **Date of Patent:** **** Jun. 25, 2002**

(54) **PLASTIC CLOSURE**

(75) **Inventor:** **Valentin Hierzer**, Arlington Heights, IL (US)

(73) **Assignee:** **Crown Cork & Seal Technologies Corporation**, Alsip, IL (US)

(**) **Term:** **14 Years**

(21) **Appl. No.:** **29/143,494**

(22) **Filed:** **Jun. 14, 2001**

(51) **LOC (7) Cl.** **09-07**

(52) **U.S. Cl.** **D9/446**

(58) **Field of Search** D9/435, 446, 447,
D9/449; 220/256, 259, 810, 837, 375; 222/545,
562

(56) **References Cited**

U.S. PATENT DOCUMENTS

- D187,757 S * 4/1960 Mart D9/446
- 3,160,327 A * 12/1964 Porcelli 220/256 X
- 3,404,816 A * 10/1968 Weber 2222/555
- D364,810 S * 12/1995 Meisner D9/446
- 5,588,550 A 12/1996 Meyer
- 5,769,263 A 6/1998 Willingham et al.

- D404,646 S * 1/1999 Black, Sr. et al. D9/446
- D406,238 S * 3/1999 Voller D9/446
- 5,934,515 A 8/1999 Bennett
- D417,339 S * 12/1999 Miller D9/446 X
- D422,503 S * 4/2000 Lehn D9/446 X
- D424,440 S * 5/2000 Wilkinson et al. D9/446

* cited by examiner

Primary Examiner—Dominic Simone

(74) *Attorney, Agent, or Firm*—Knoble & Yoshida, LLC

(57) **CLAIM**

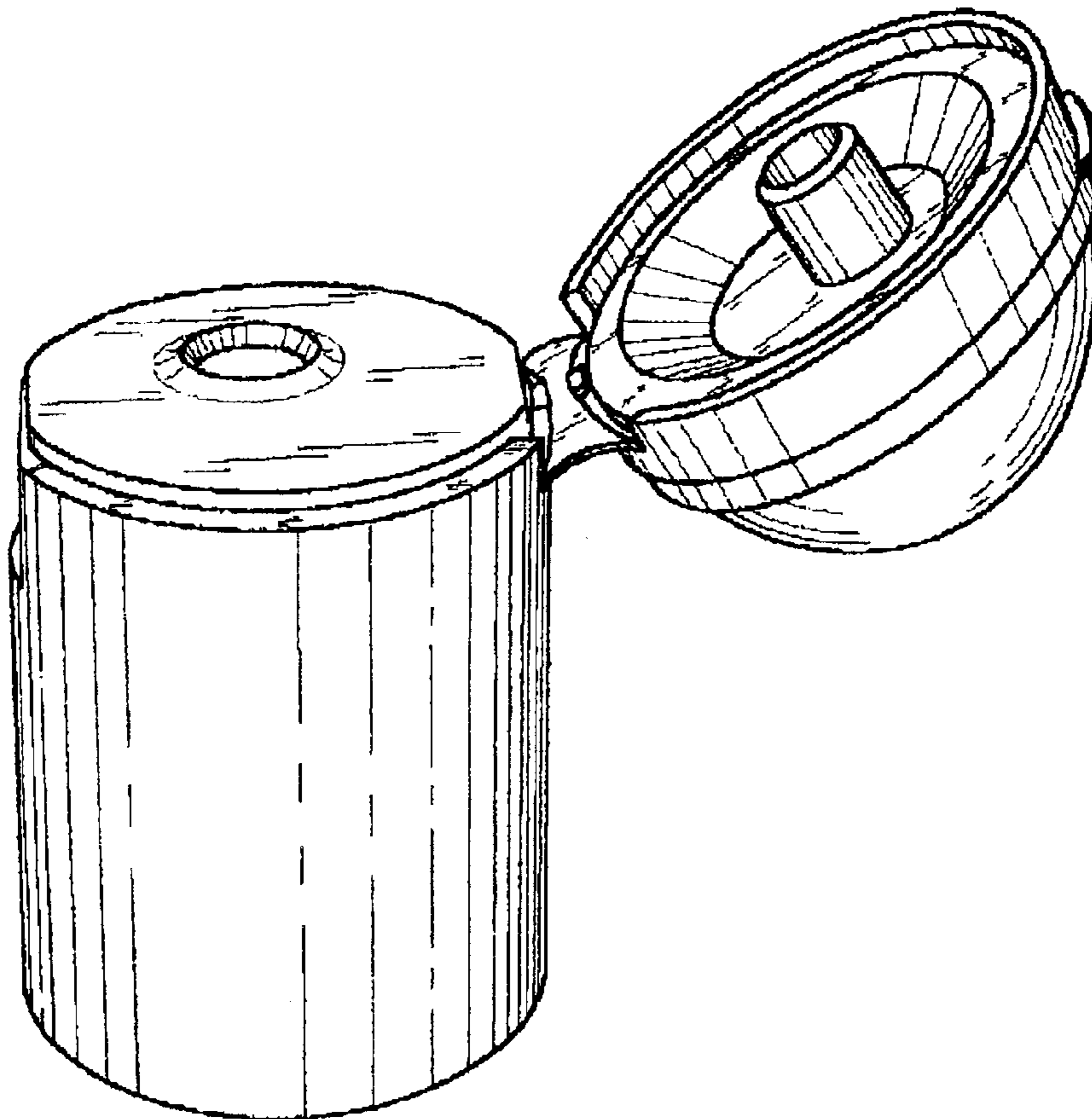
The ornamental design for a “plastic closure,” as shown and described.

DESCRIPTION

FIG. 1 is a perspective view showing my new design;
 FIG. 2 is a front elevational view;
 FIG. 3 is a rear elevational view;
 FIG. 4 is a first side elevational view;
 FIG. 5 is a second side elevational view;
 FIG. 6 is a top plan view; and,
 FIG. 7 is a bottom plan view.

Any broken lines in the drawings depict probable environment only and form no part of the claimed design.

1 Claim, 4 Drawing Sheets



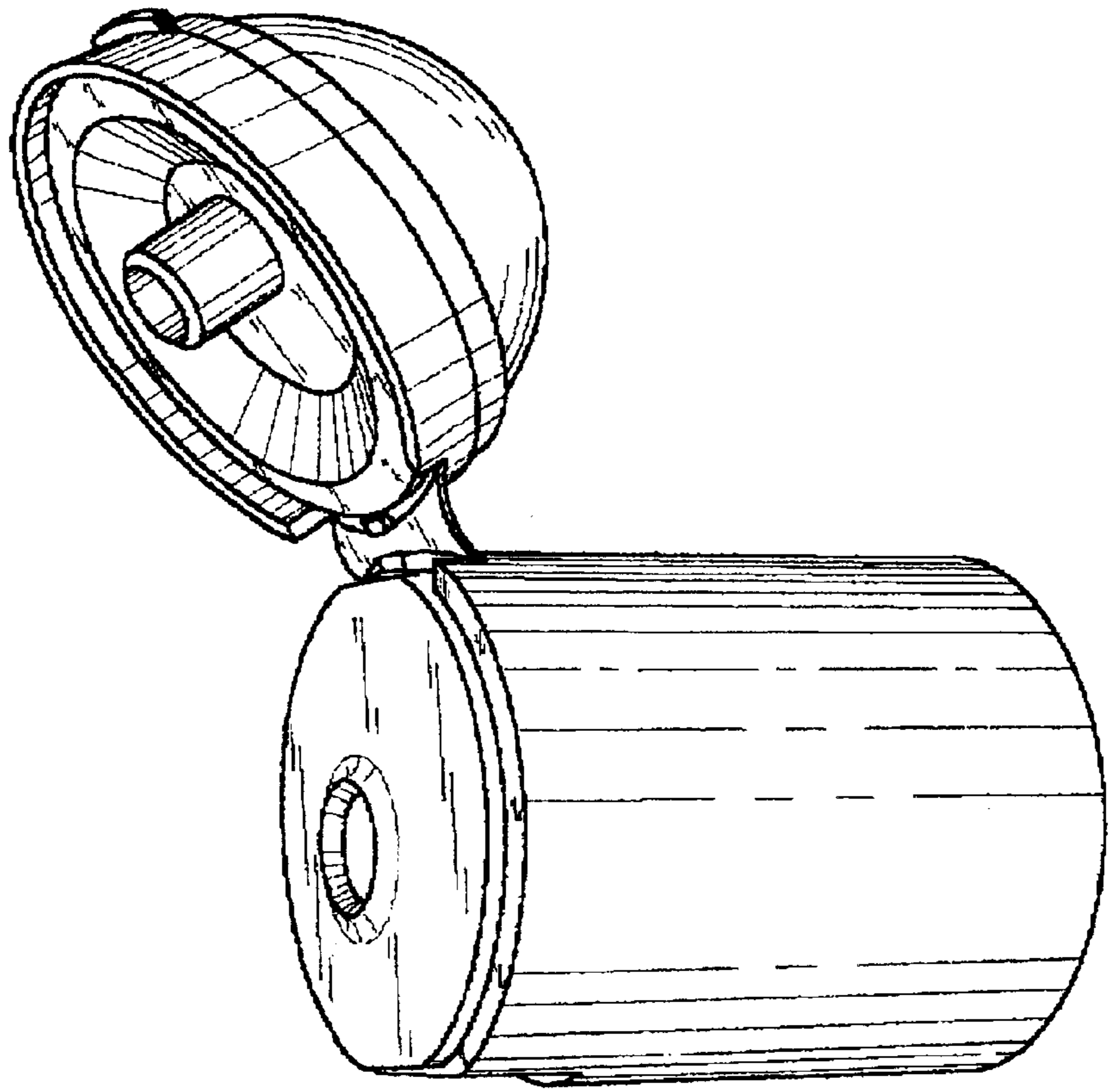


FIG. 1

FIG. 3

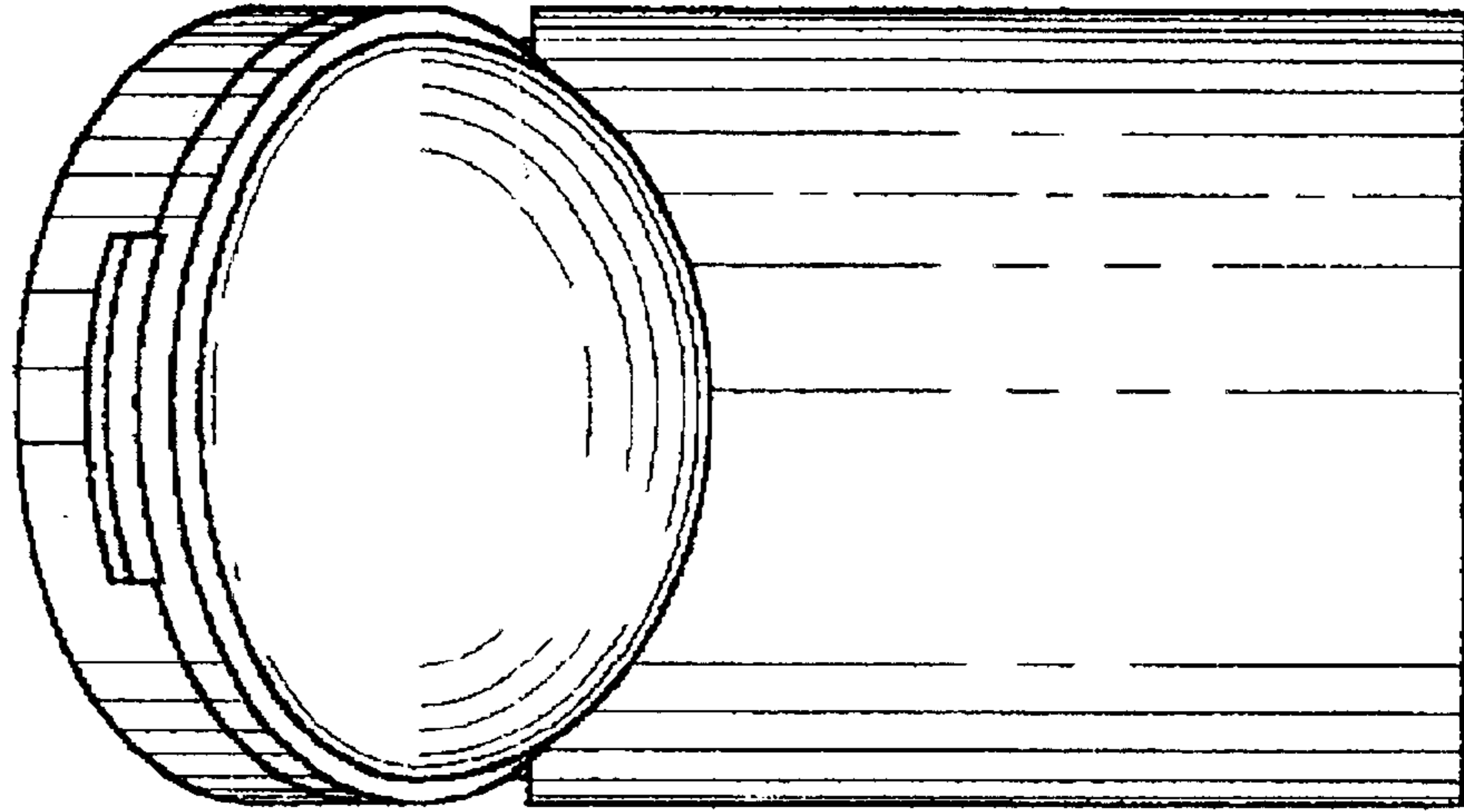


FIG. 2

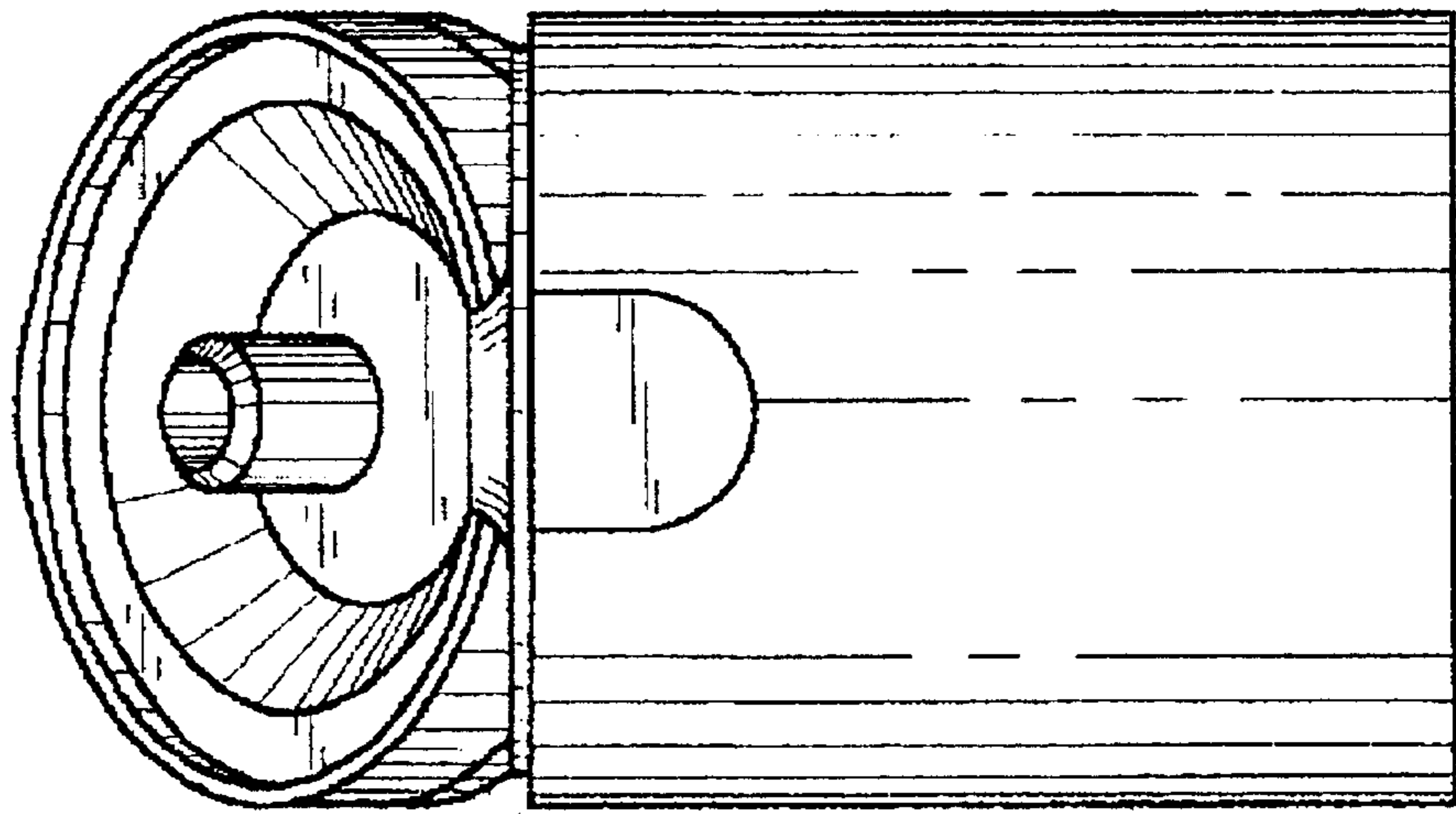


FIG. 5

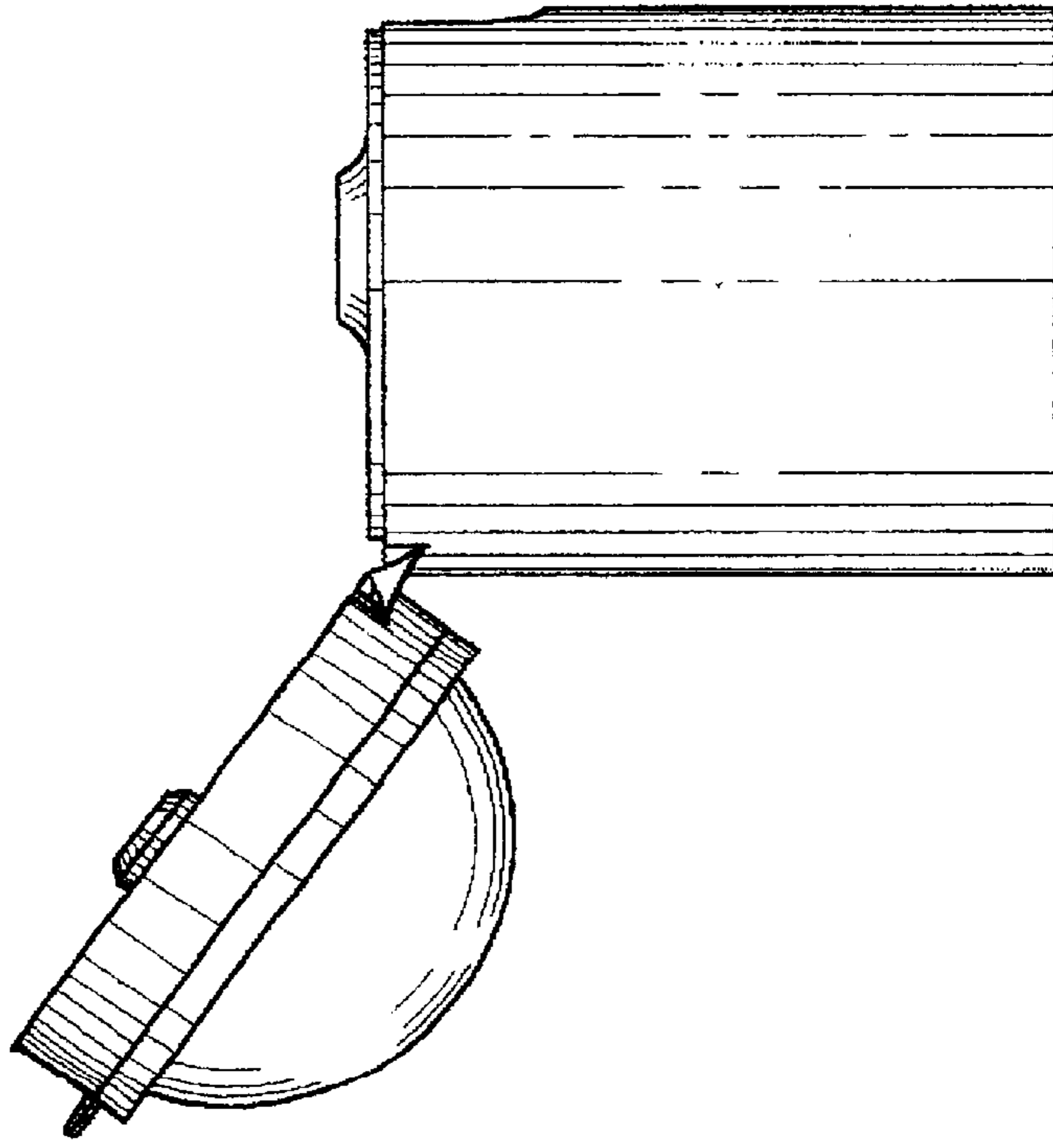


FIG. 4

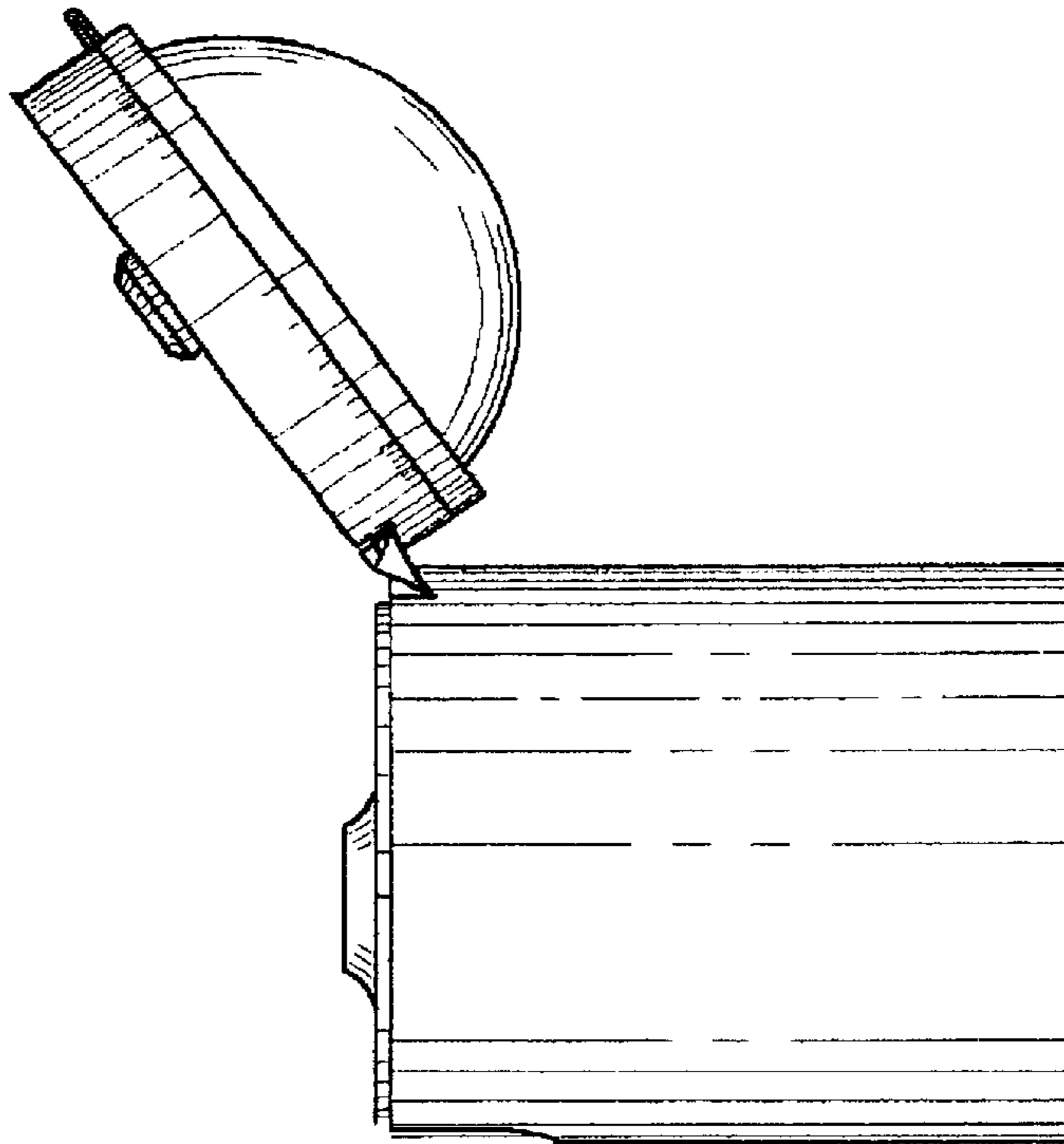


FIG. 7

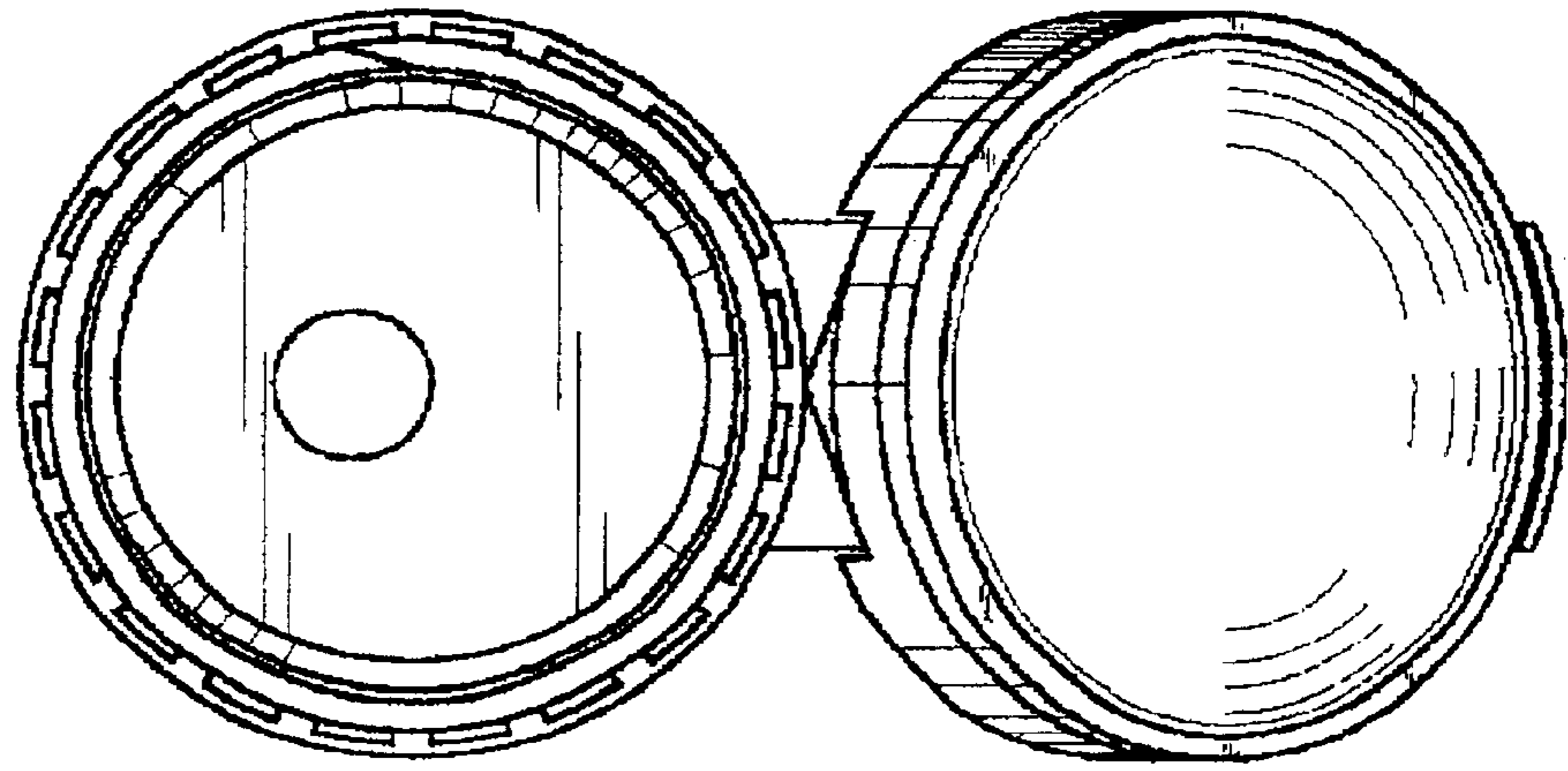


FIG. 6

