



US00D459223S

(12) **United States Design Patent**
Lai

(10) **Patent No.:** **US D459,223 S**

(45) **Date of Patent:** **** Jun. 25, 2002**

(54) **TOOL BOX**

(76) **Inventor:** **Ching-hai Lai**, No. 16, Lane 63, Chang South Road, Sec. 3, Chang hua (TW)

(**) **Term:** **14 Years**

(21) **Appl. No.:** **29/144,466**

(22) **Filed:** **Jul. 5, 2001**

(51) **LOC (7) Cl.** **09-03**

(52) **U.S. Cl.** **D9/418; D9/423**

(58) **Field of Search** D9/415, 418, 423-425, D9/432, 414; D3/273-284, 905; 206/461-471, 769, 770, 775-778, 230, 349, 372-379, 508, 509, 822; 229/162; 220/836-839, 662, 602

(56) **References Cited**

U.S. PATENT DOCUMENTS

5,271,552 A * 12/1993 McDonnell 229/162
5,341,926 A * 8/1994 Laben 206/509
D370,781 S * 6/1996 Vasudava D9/284
5,543,114 A * 8/1996 Dudek 220/839

D406,757 S * 3/1999 Bean et al. D9/423
5,878,757 A * 3/1999 Hernandez 206/349
6,105,767 A * 8/2000 Vasudava 206/349
D440,489 S * 4/2001 Igami et al. D9/423
D446,651 S * 8/2001 Liao D9/415

* cited by examiner

Primary Examiner—Prabhakar Deshmukh

(74) *Attorney, Agent, or Firm*—Rabin & Berdo, P.C.

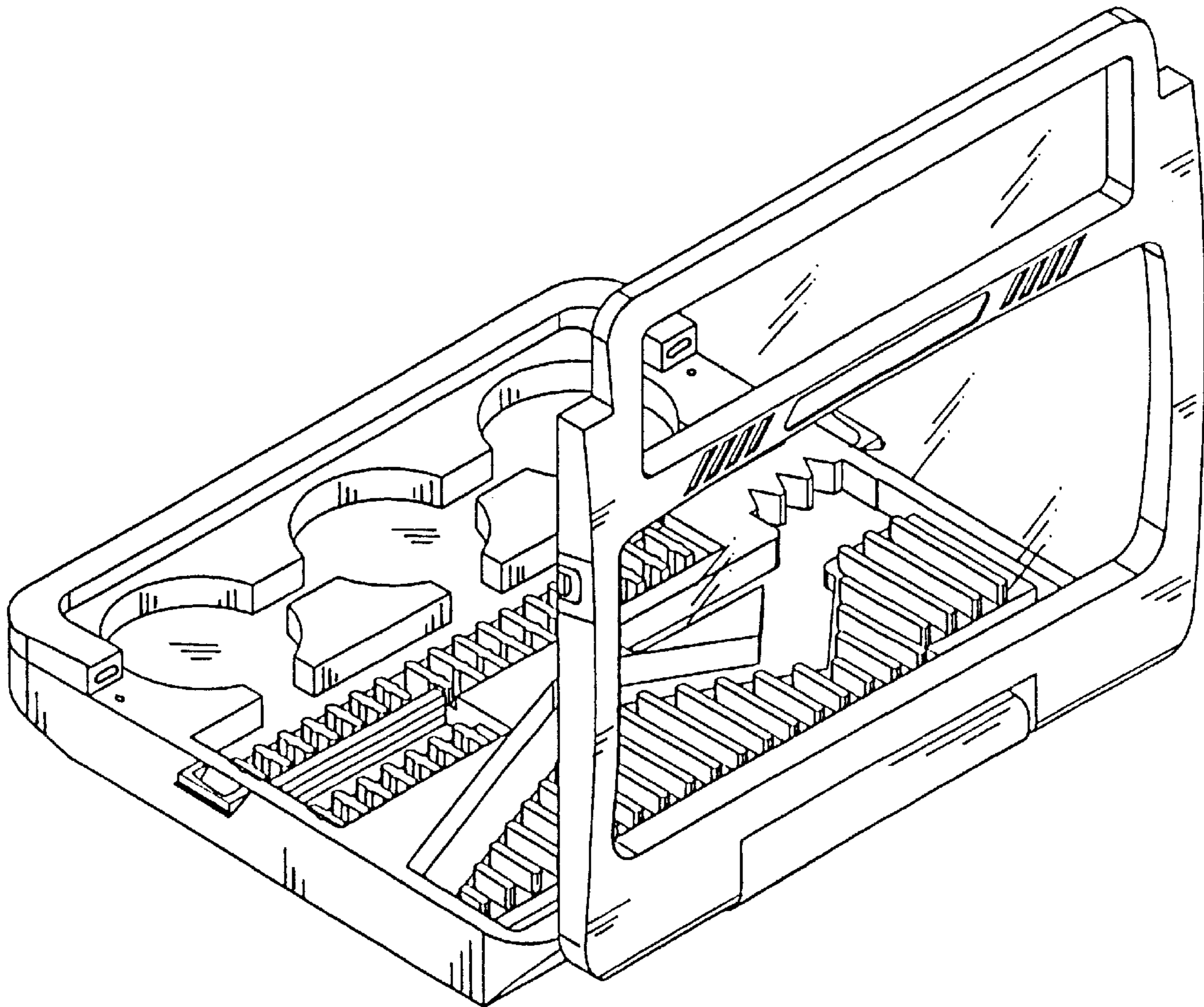
(57) **CLAIM**

The ornamental design for a tool box, as shown and described.

DESCRIPTION

FIG. 1 is a front view of a tool box showing my new design; FIG. 2 is a rear view thereof; FIG. 3 is a left side view thereof; FIG. 4 is a right side view thereof; FIG. 5 is a top view thereof; FIG. 6 is a bottom view thereof; FIG. 7 is a perspective view thereof; and, FIG. 8 is a perspective view shown in an open position.

1 Claim, 8 Drawing Sheets



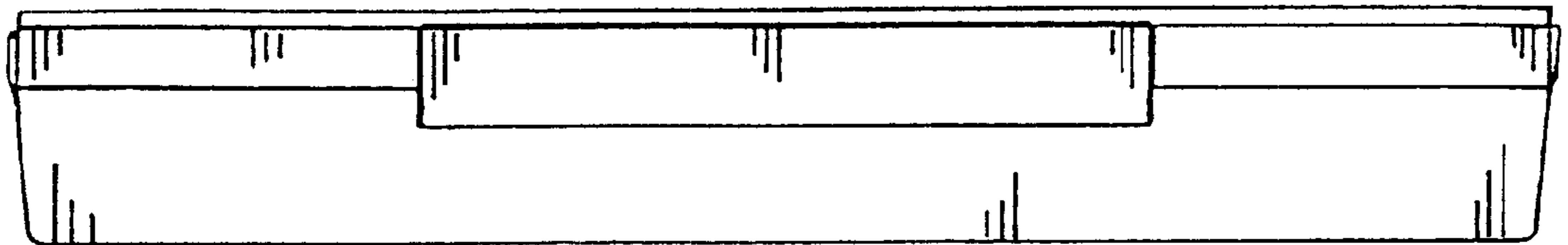


FIG. 1

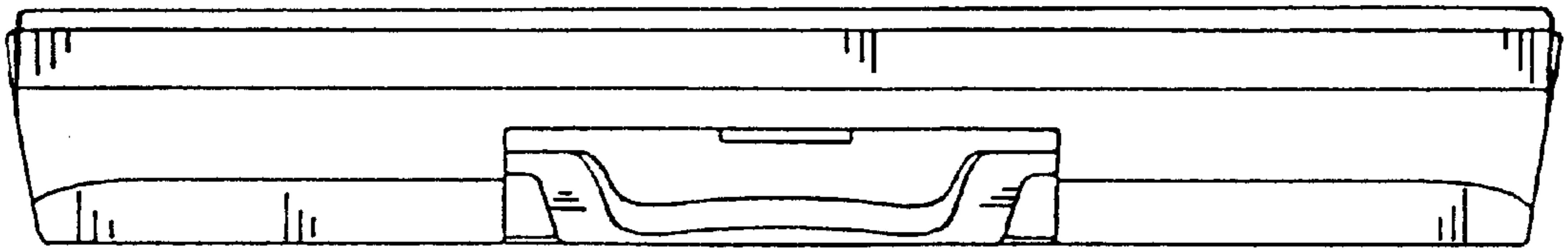


FIG. 2



FIG.3

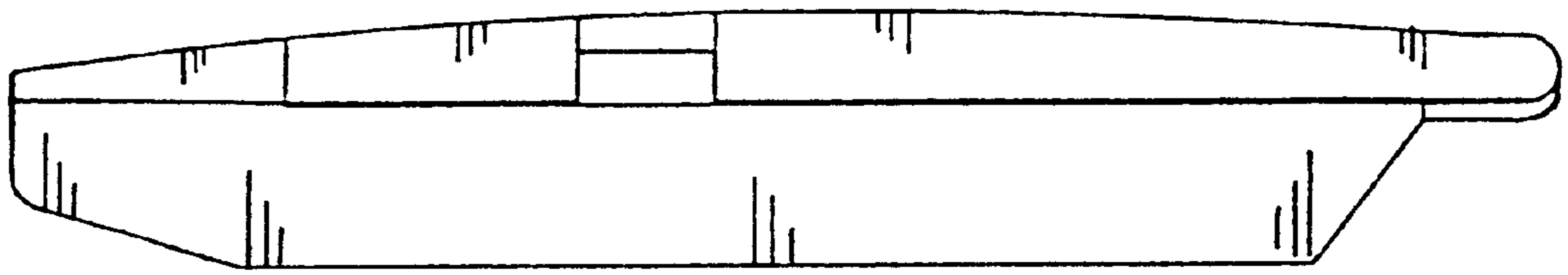


FIG. 4

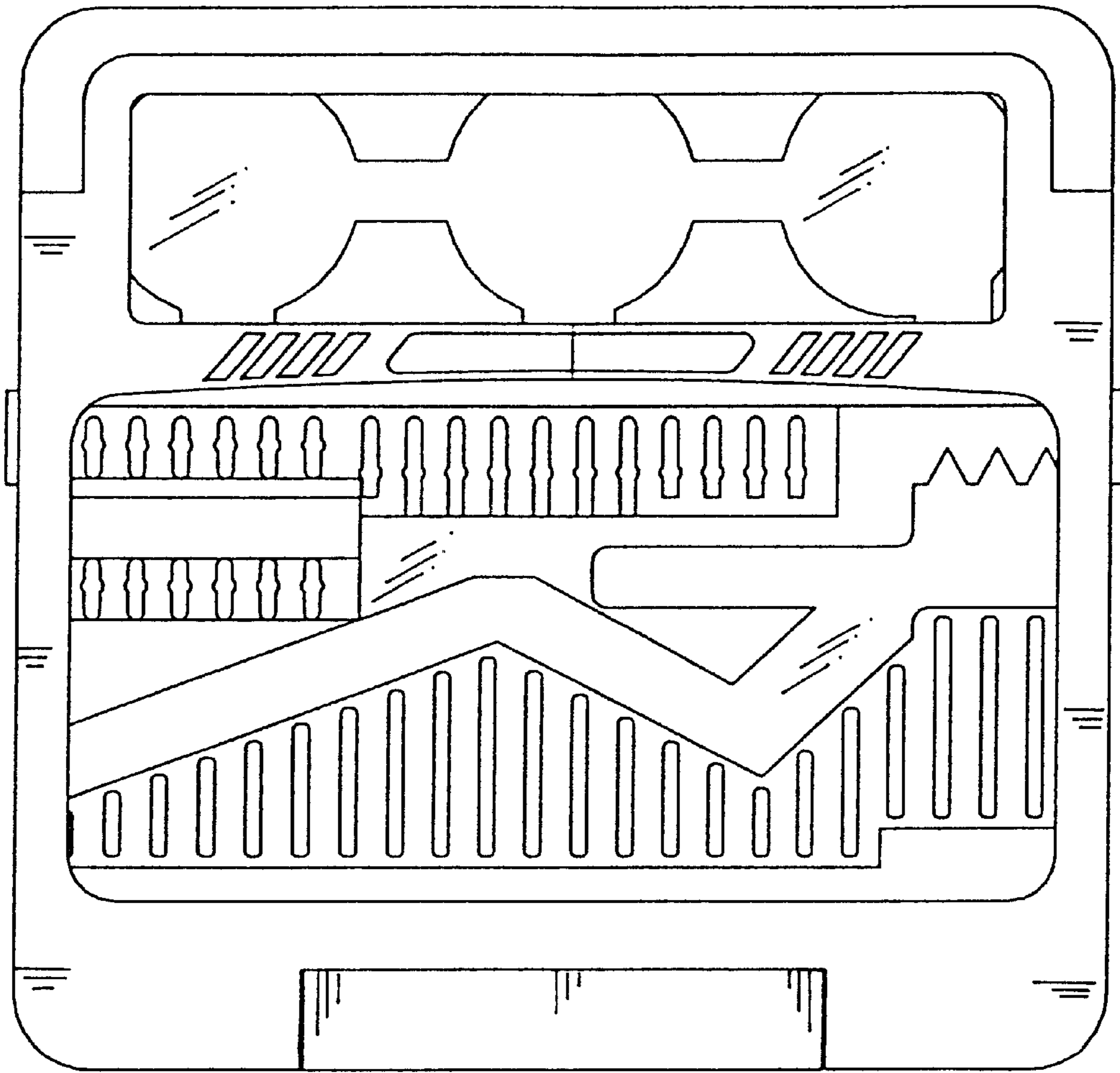


FIG.5

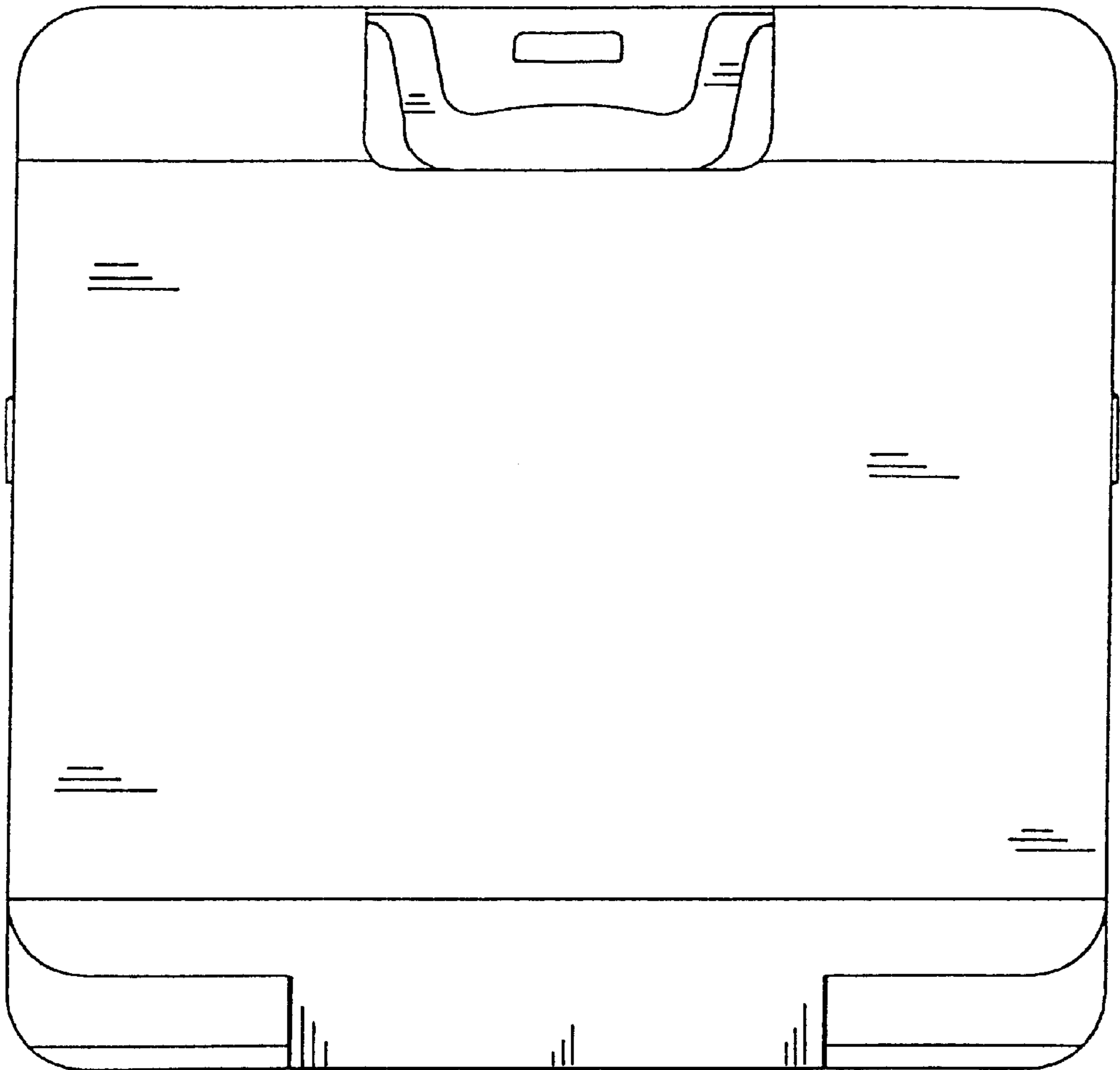


FIG.6

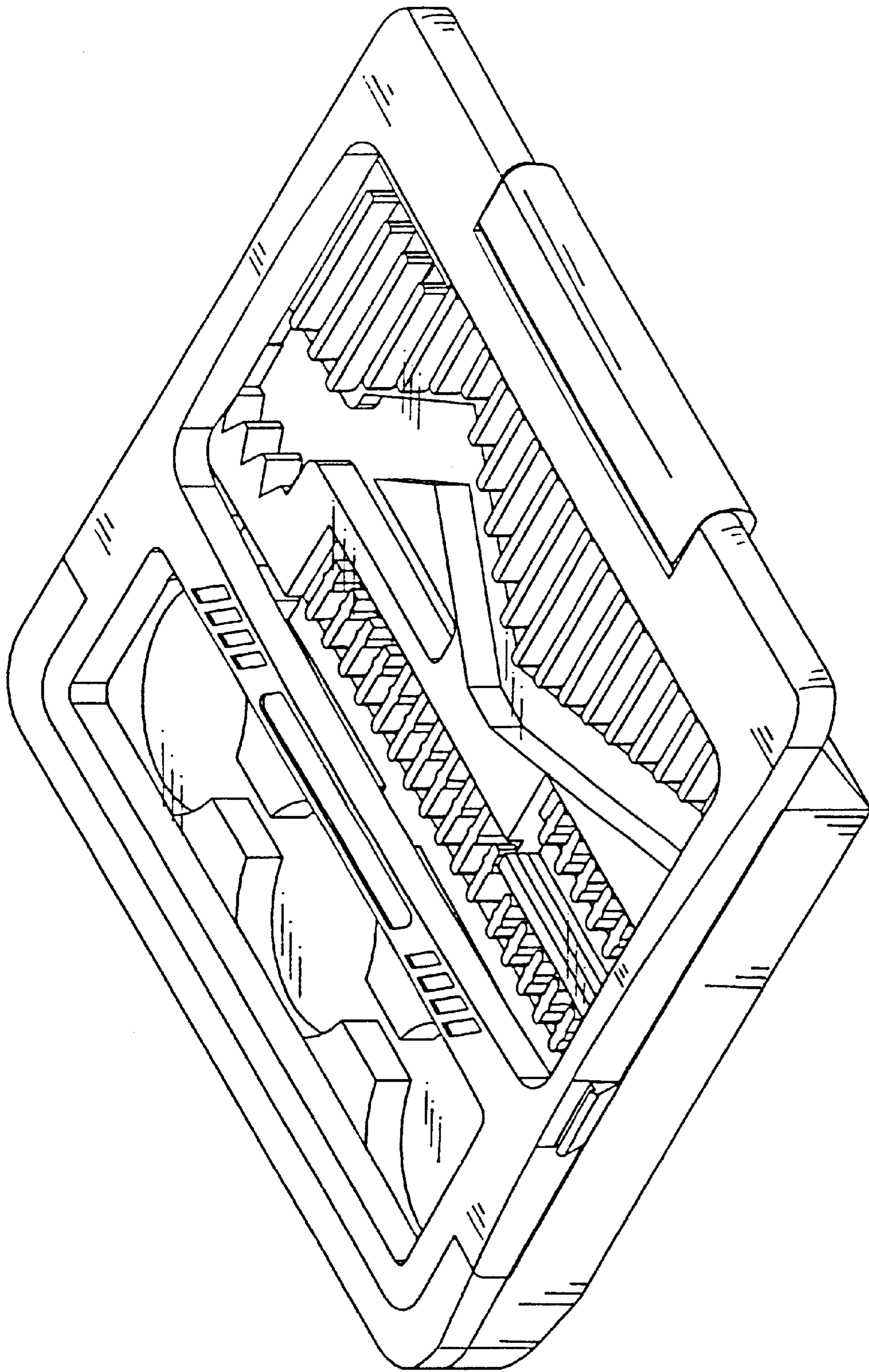


FIG.7

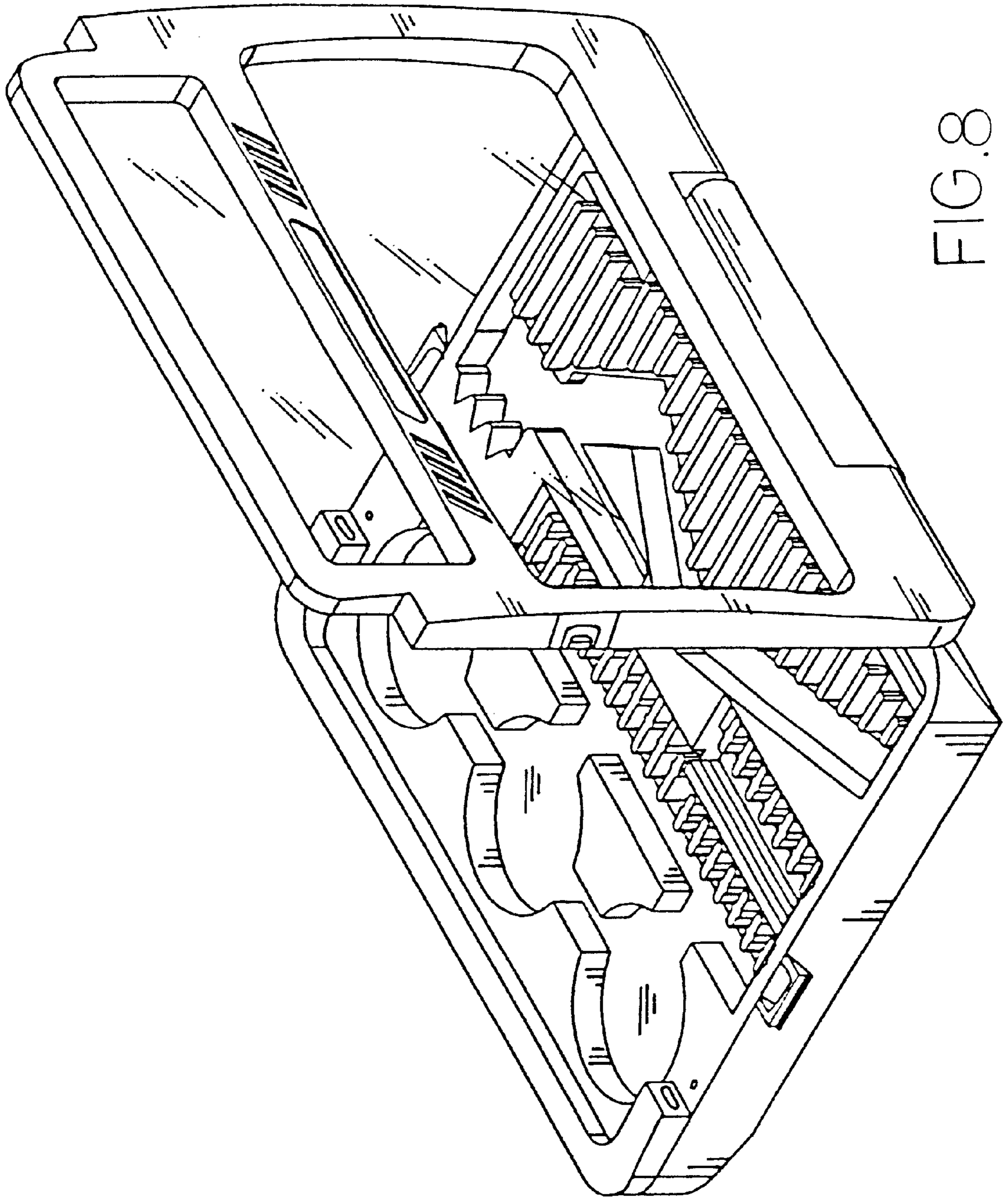


FIG. 8