



US00D459220S

(12) **United States Design Patent**  
**Clark et al.**

(10) **Patent No.: US D459,220 S**  
(45) **Date of Patent: \*\* Jun. 25, 2002**

(54) **TOY FURNITURE CARRIER**

(75) Inventors: **Maxine Clark**, St. Louis, MO (US);  
**Beverly Schofield**, Alton, IL (US);  
**Diane Ressel**, Florissant, MO (US);  
**Adrienne Weiss**, Chicago, IL (US);  
**Page Hereford**, St. Louis, MO (US)

(73) Assignee: **Build-A-Bear Workshop, Inc.**, St. Louis, MO (US)

(\*\*) Term: **14 Years**

(21) Appl. No.: **29/144,169**

(22) Filed: **Jun. 26, 2001**

(51) **LOC (7) Cl. .... 09-03**

(52) **U.S. Cl. .... D9/415**

(58) **Field of Search** ..... D9/414, 415, 418,  
D9/337; 206/216, 579, 759, 261, 315.1,  
349, 600, 495; 229/103.2, 103.3, 116.1,  
117.09, 117.23; 294/141-144, 152, 137;  
224/921

(56) **References Cited**

**U.S. PATENT DOCUMENTS**

D267,475 S \* 1/1983 Maroszek et al. .... D9/418  
4,526,414 A \* 7/1985 Jones ..... 294/143  
5,232,258 A \* 8/1993 Rossi ..... 294/152  
D340,641 S \* 10/1993 Pittman ..... D9/415

5,409,282 A \* 4/1995 Bale ..... 294/152  
D360,827 S \* 8/1995 Mats ..... D9/418  
5,522,508 A \* 6/1996 Pesola ..... 206/579  
5,639,004 A \* 6/1997 Carlton et al. .... 206/579  
6,000,542 A \* 12/1999 Smith ..... 206/349  
D451,800 S \* 12/2001 Ryse et al. .... D9/415

\* cited by examiner

*Primary Examiner*—Prabhakar Deshmukh

(74) *Attorney, Agent, or Firm*—Blackwell Sanders Peper Martin LLP

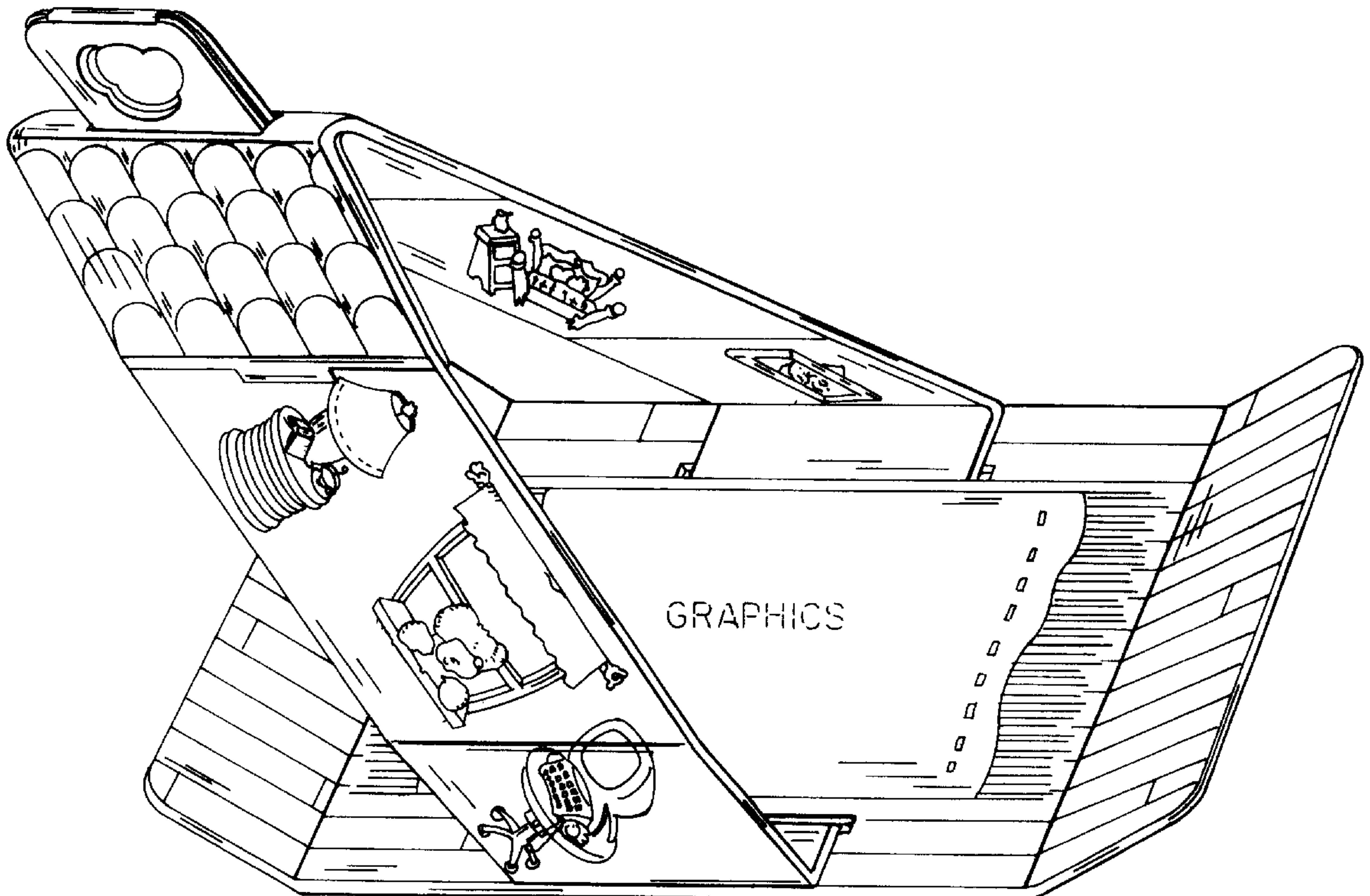
(57) **CLAIM**

The ornamental design for a toy furniture carrier, as shown and described.

**DESCRIPTION**

FIG. 1 is a top plan view of a toy furniture carrier in accordance with our new design  
FIG. 2 is a bottom plan view thereof;  
FIG. 3 is a left end elevational view thereof;  
FIG. 4 is a right end elevational view thereof;  
FIG. 5 front elevational view thereof;  
FIG. 6 is a back elevational view thereof; and,  
FIG. 7 is an upper right perspective view thereof, enlarged for clarity.  
Throughout the figures lines shown in phantom are for illustrative purposes only and form no part of the claimed design.

**1 Claim, 6 Drawing Sheets**



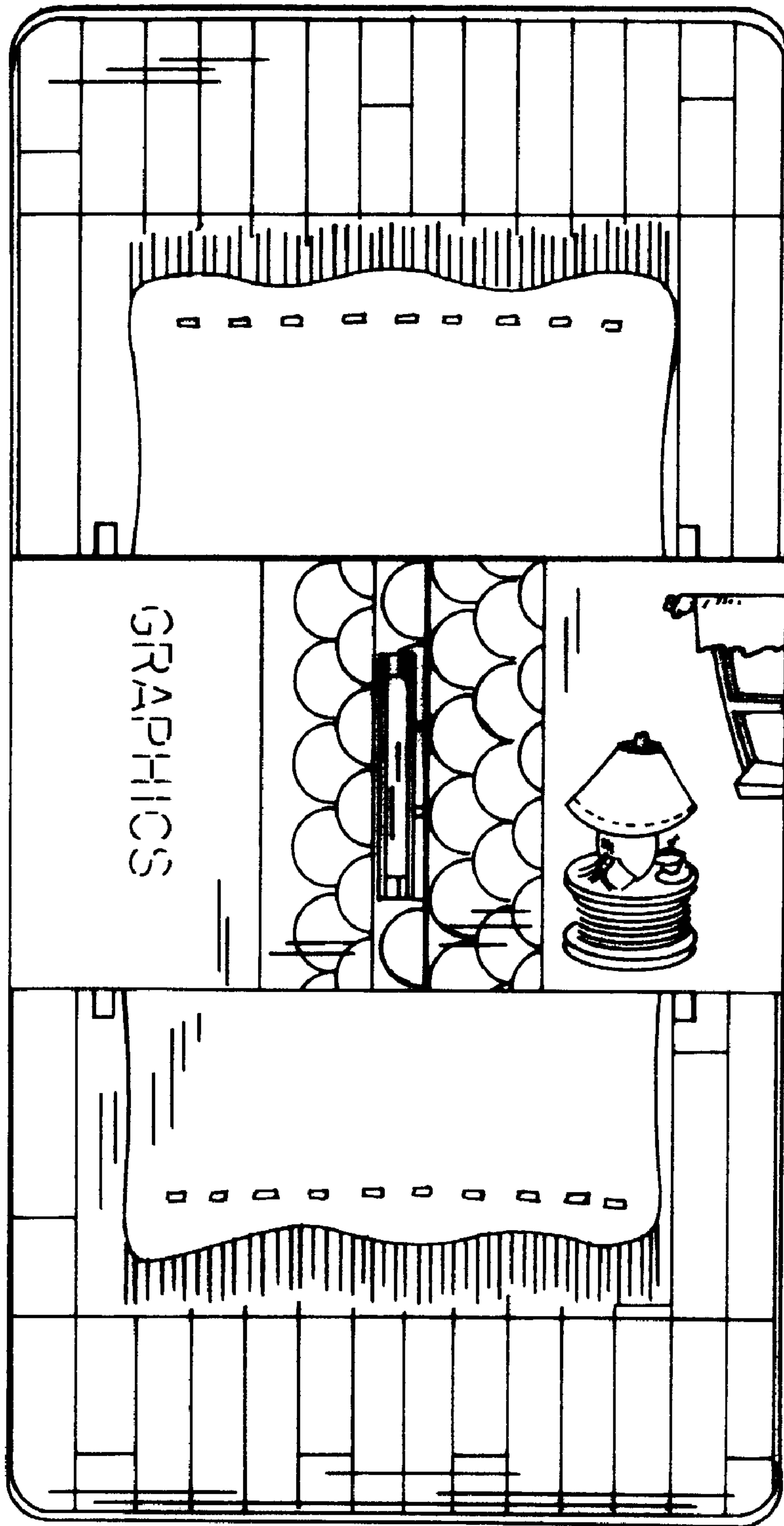


FIG. 1

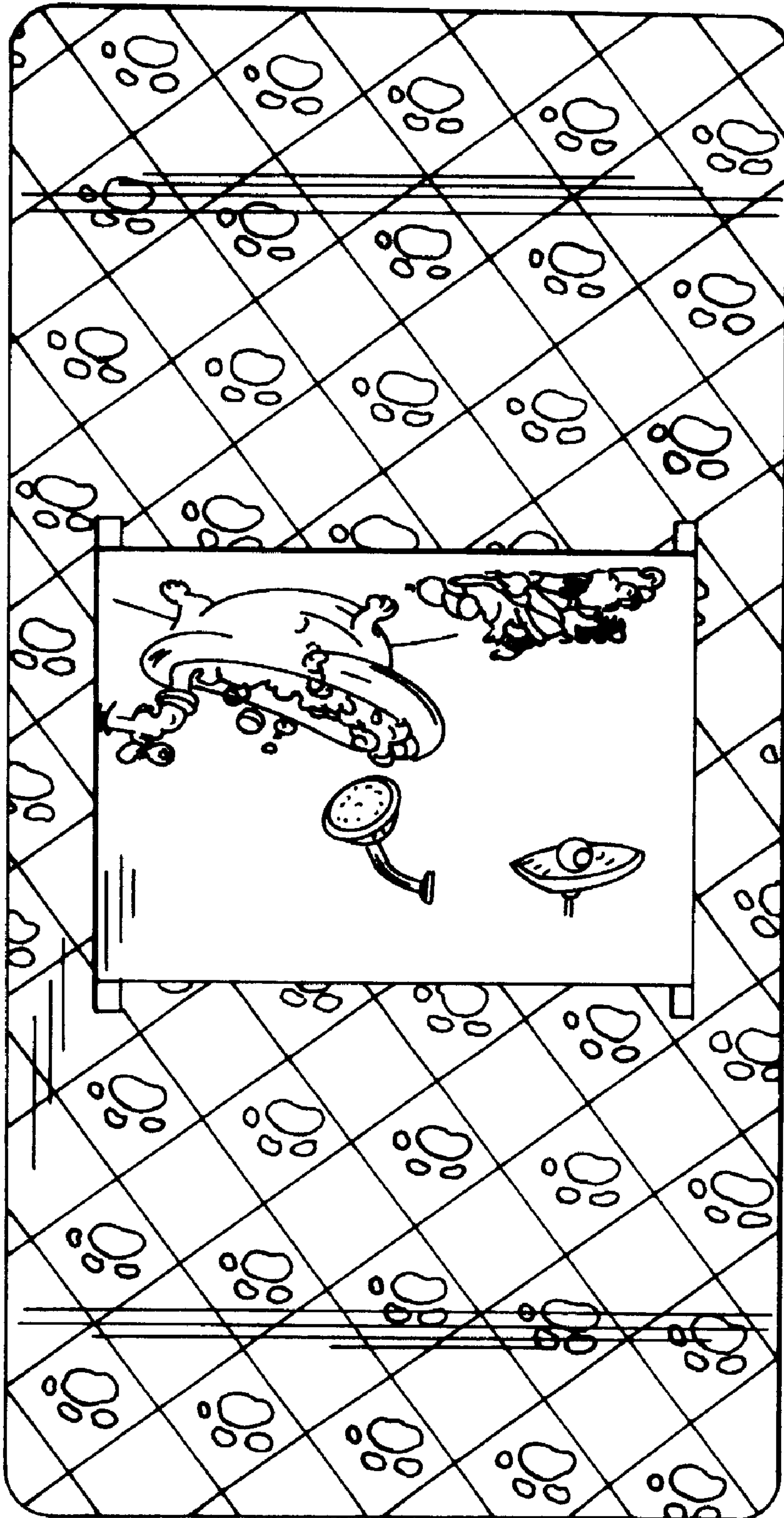


FIG. 2



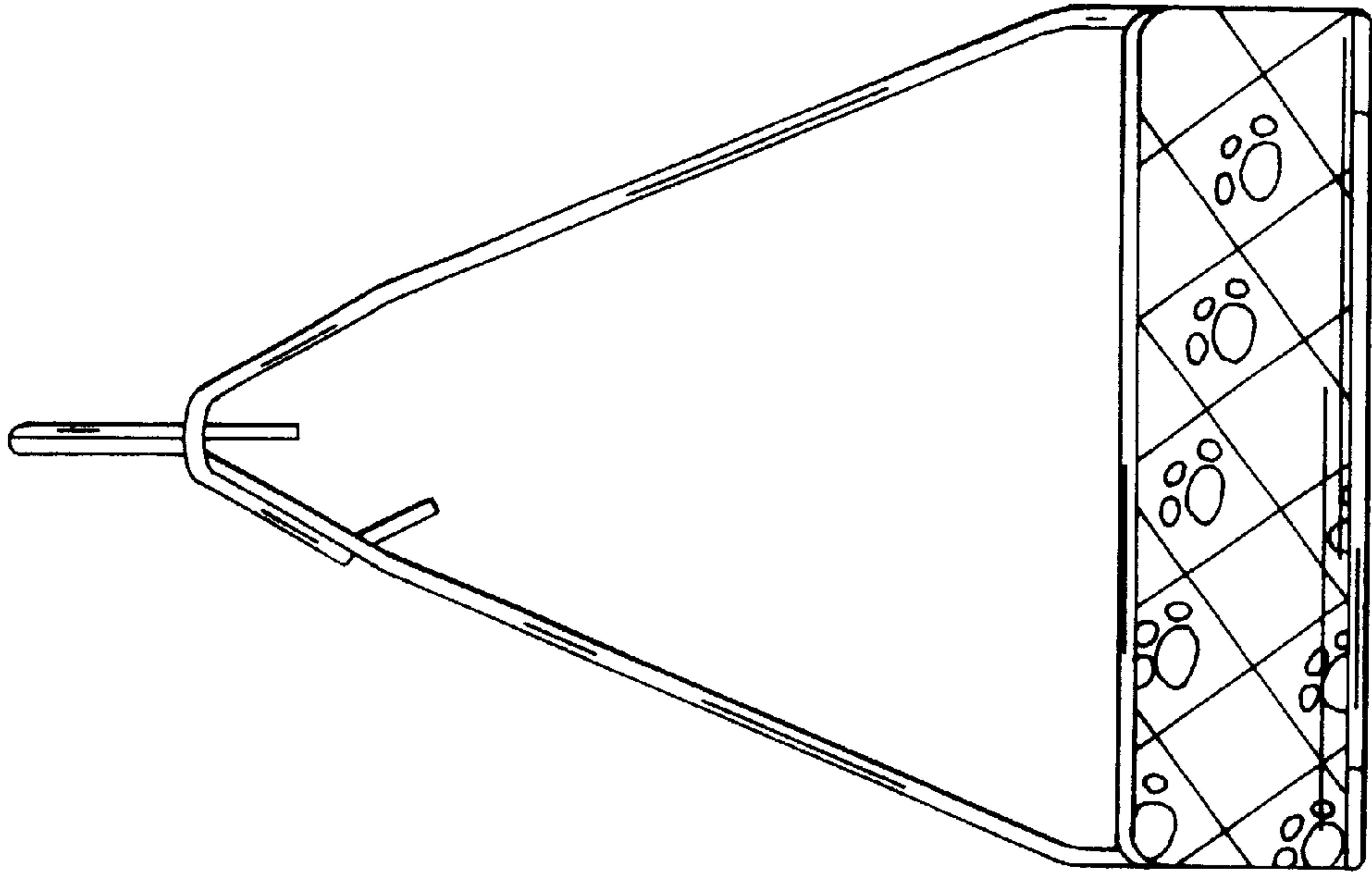


FIG. 3

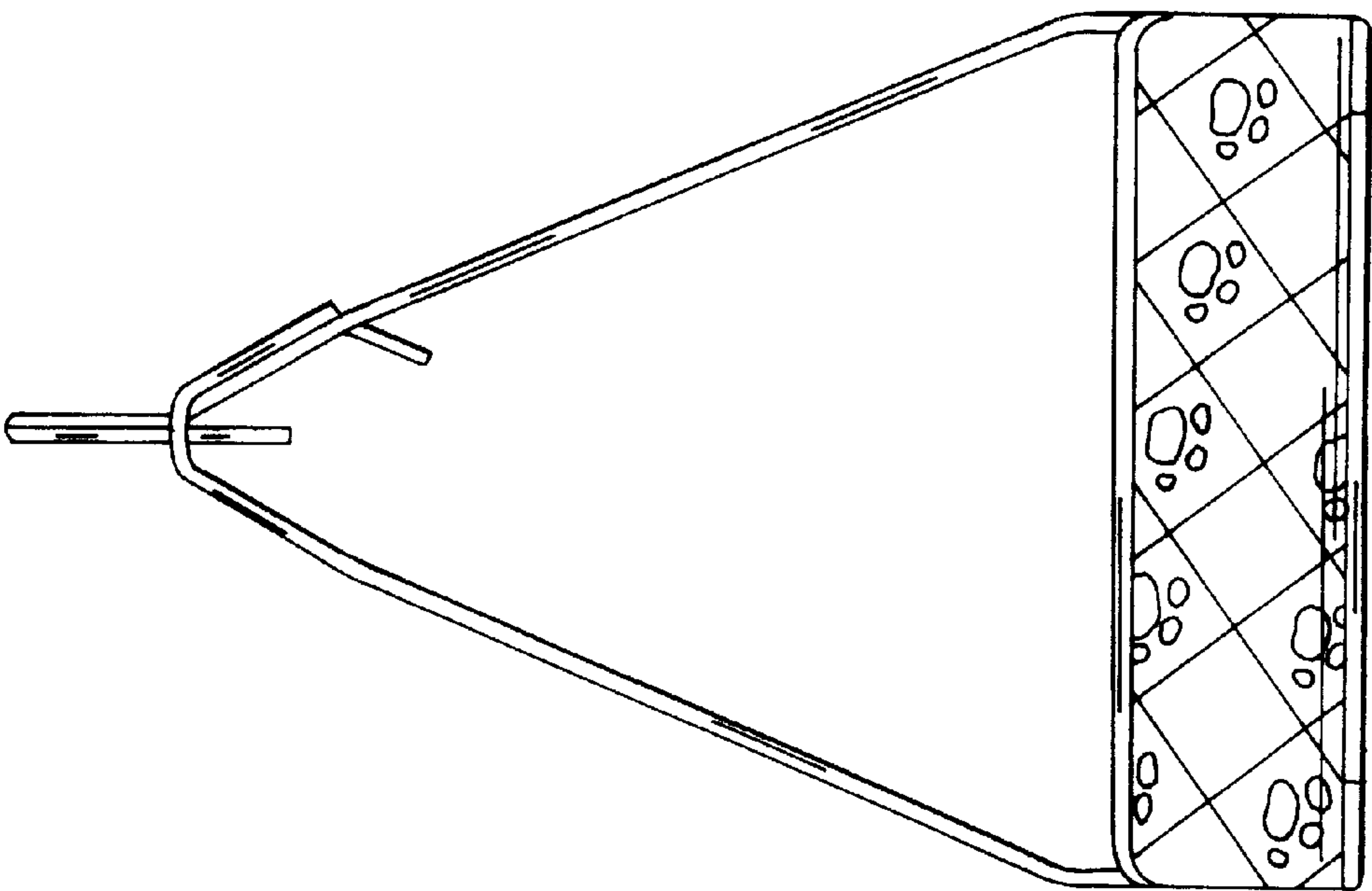


FIG. 4

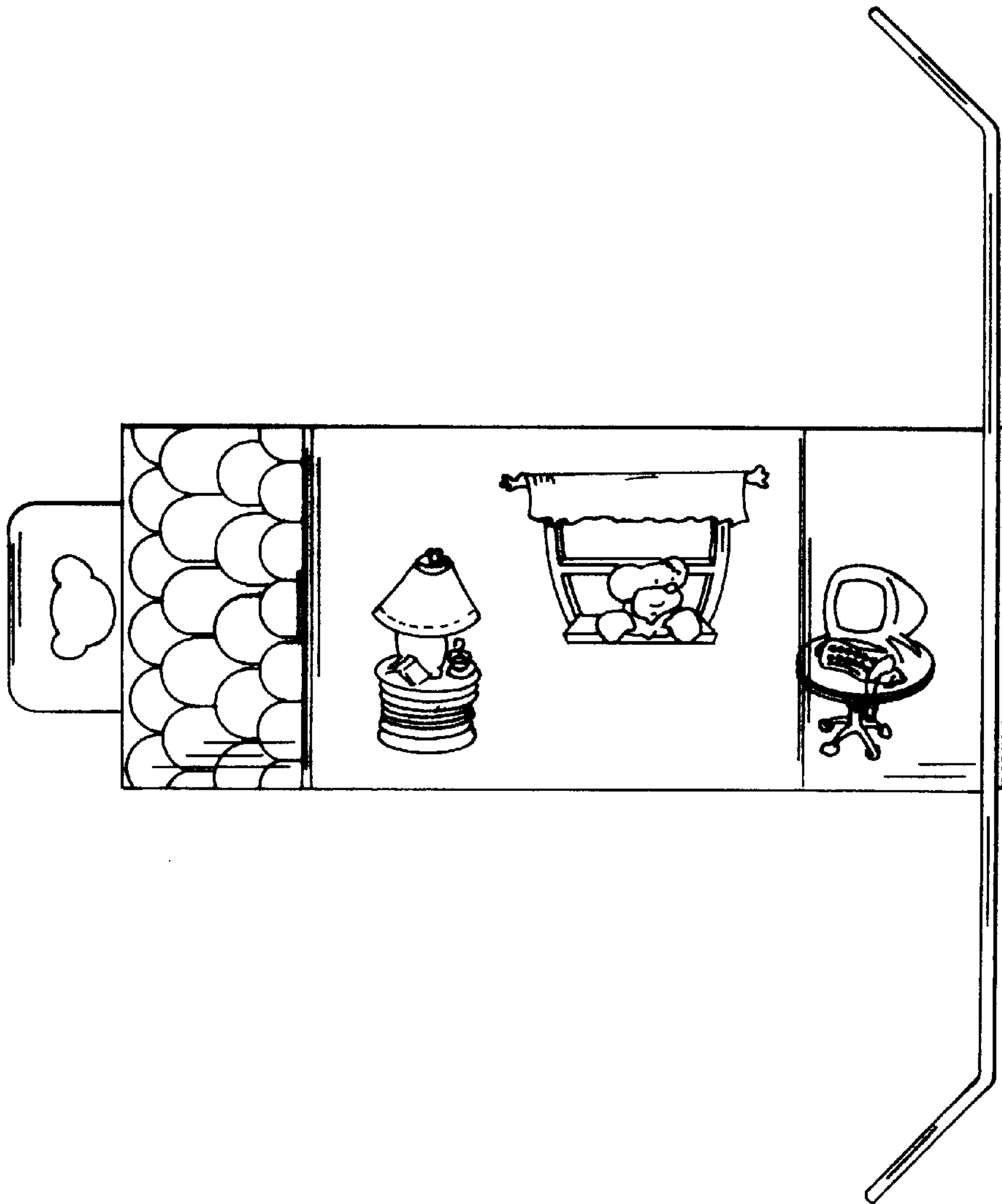


FIG. 5

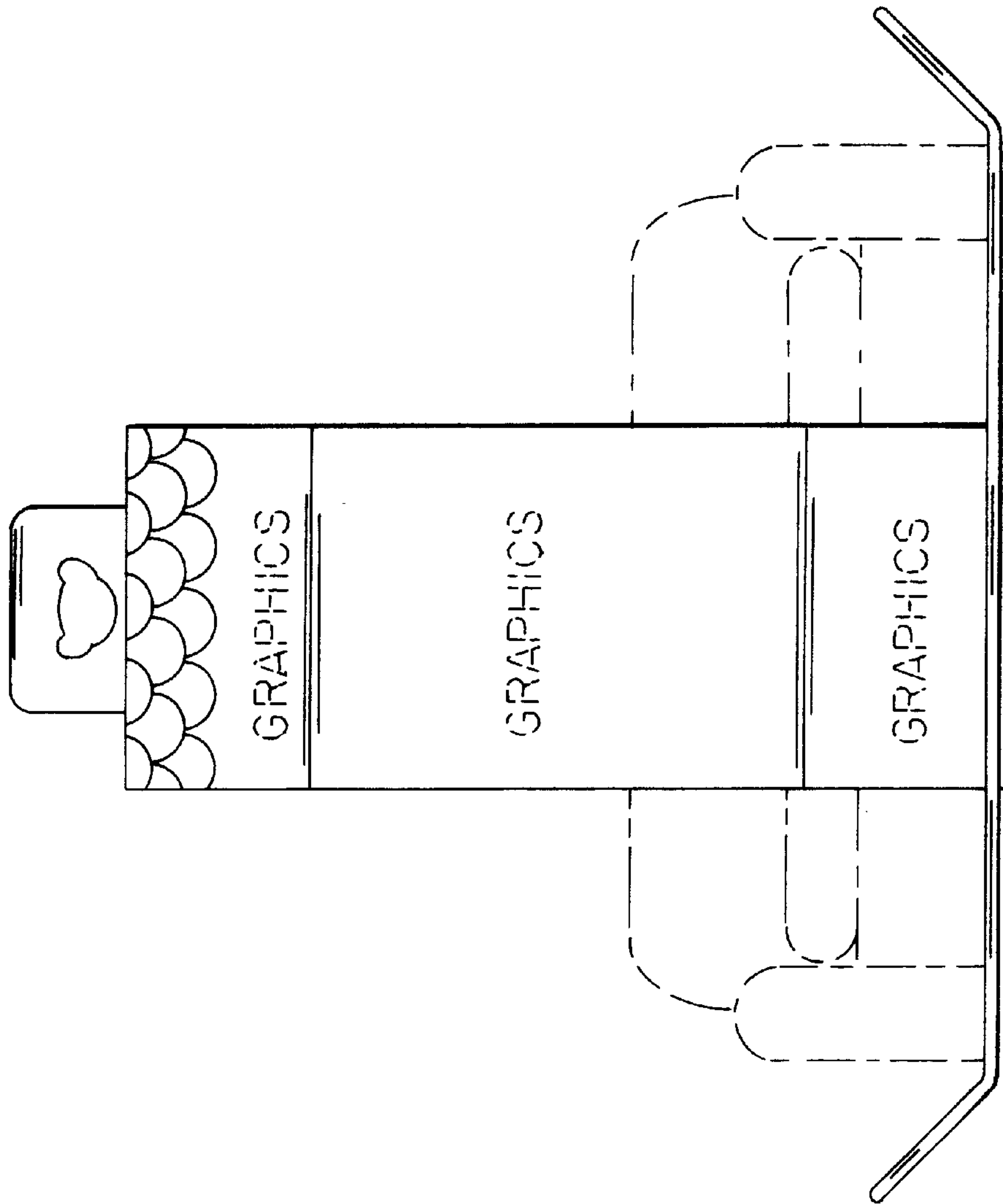


FIG. 6

FIG. 7

