



US00D459219S

(12) **United States Design Patent** (10) **Patent No.:** **US D459,219 S**  
**Lee** (45) **Date of Patent:** **\*\* Jun. 25, 2002**

(54) **CONTOURED DISPLAY PACKAGE**

(75) Inventor: **Kendrew Lee**, Fremont, CA (US)

(73) Assignee: **Monster Cable Products, Inc.**,  
Brisbane, CA (US)

(\*\*) Term: **14 Years**

(21) Appl. No.: **29/143,213**

(22) Filed: **Jun. 7, 2001**

(51) **LOC (7) Cl.** ..... **09-03**

(52) **U.S. Cl.** ..... **D9/415**

(58) **Field of Search** ..... D9/414, 415, 418,  
D9/430, 337, 416; 206/461-471, 495, 806

(56) **References Cited**

**U.S. PATENT DOCUMENTS**

2,968,393	A	*	1/1961	Phillips, Jr.	.....	229/87.15
6,276,529	B1	*	8/2001	Feehan, Jr.	.....	206/471
D447,942	S	*	9/2001	Hunter	.....	D9/418
D449,226	S	*	10/2001	Hedstrom et al.	.....	D9/415
6,330,945	B1	*	12/2001	Reimer	.....	206/471

\* cited by examiner

*Primary Examiner*—Prabhakar Deshmukh  
(74) *Attorney, Agent, or Firm*—LaRiviere, Grubman & Payne, LLP

(57) **CLAIM**

The ornamental design for a contoured display package, as shown and described.

**DESCRIPTION**

A portion of the disclosure of this design patent document contains material to which a claim of copyright protection is made. The copyright owner has no objection to the facsimile reproduction of the patent document or the patent disclosure as it appears in the U.S. Patent and Trademark Office file or records, but reserves all other rights.

FIG. 1 is a perspective view of a contoured display package, in accordance with the present invention.

FIG. 2 is another perspective view thereof.

FIG. 3 is a top view thereof.

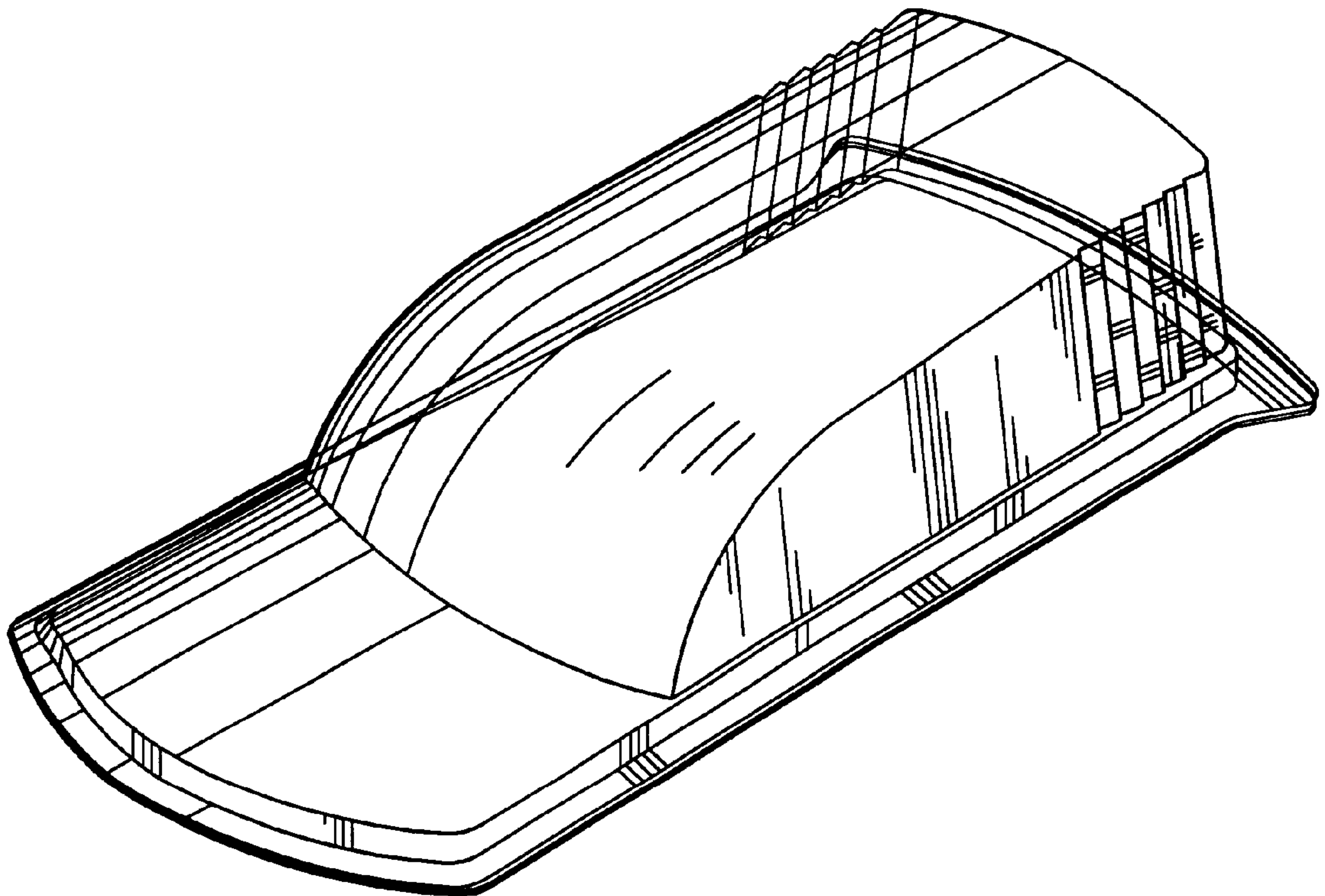
FIG. 4 is a side view thereof.

FIG. 5 is a corresponding side view thereof.

FIG. 6 is a frontal view thereof; and,

FIG. 7 is a rear view thereof.

**1 Claim, 3 Drawing Sheets**



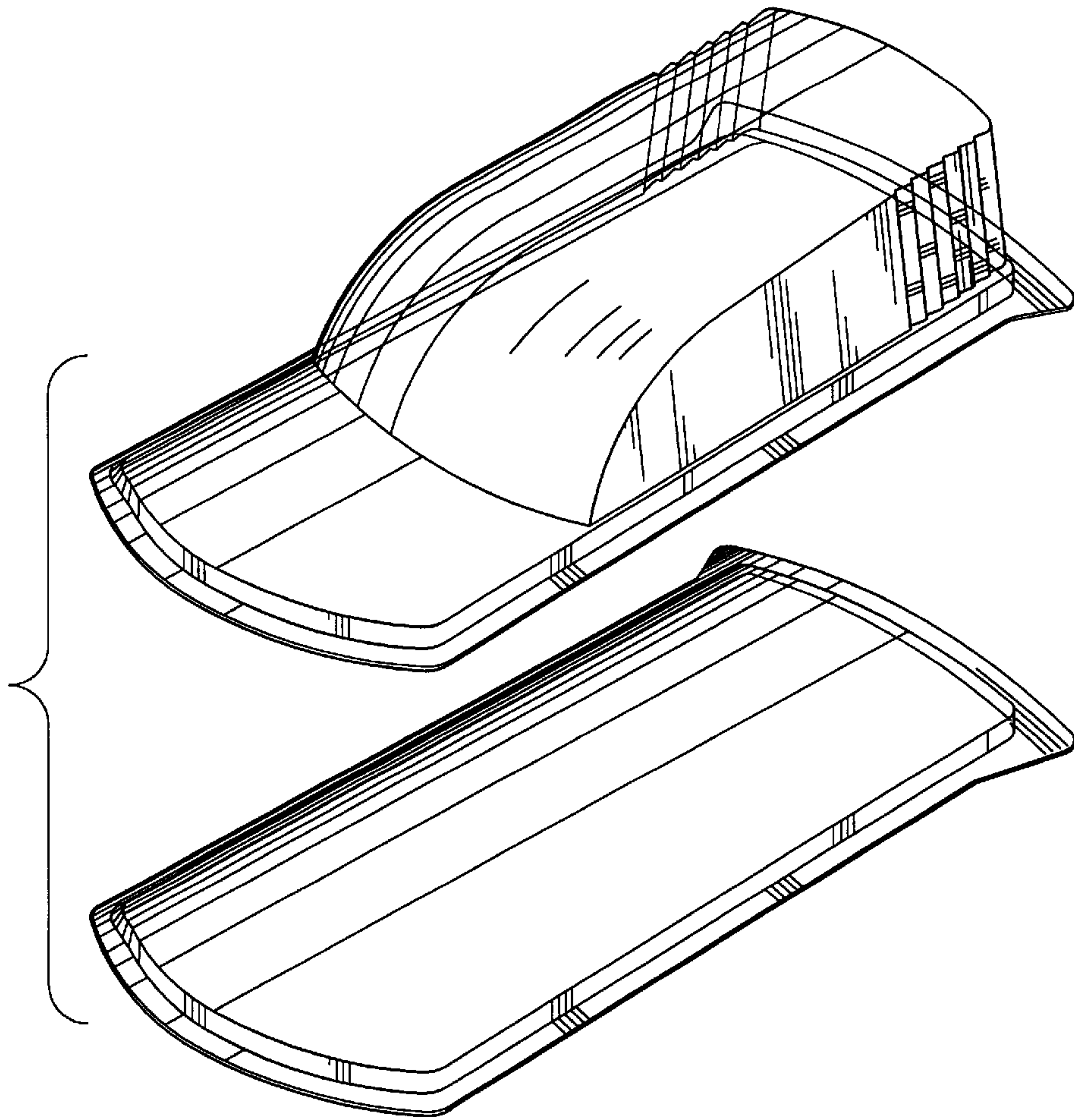


Figure 1

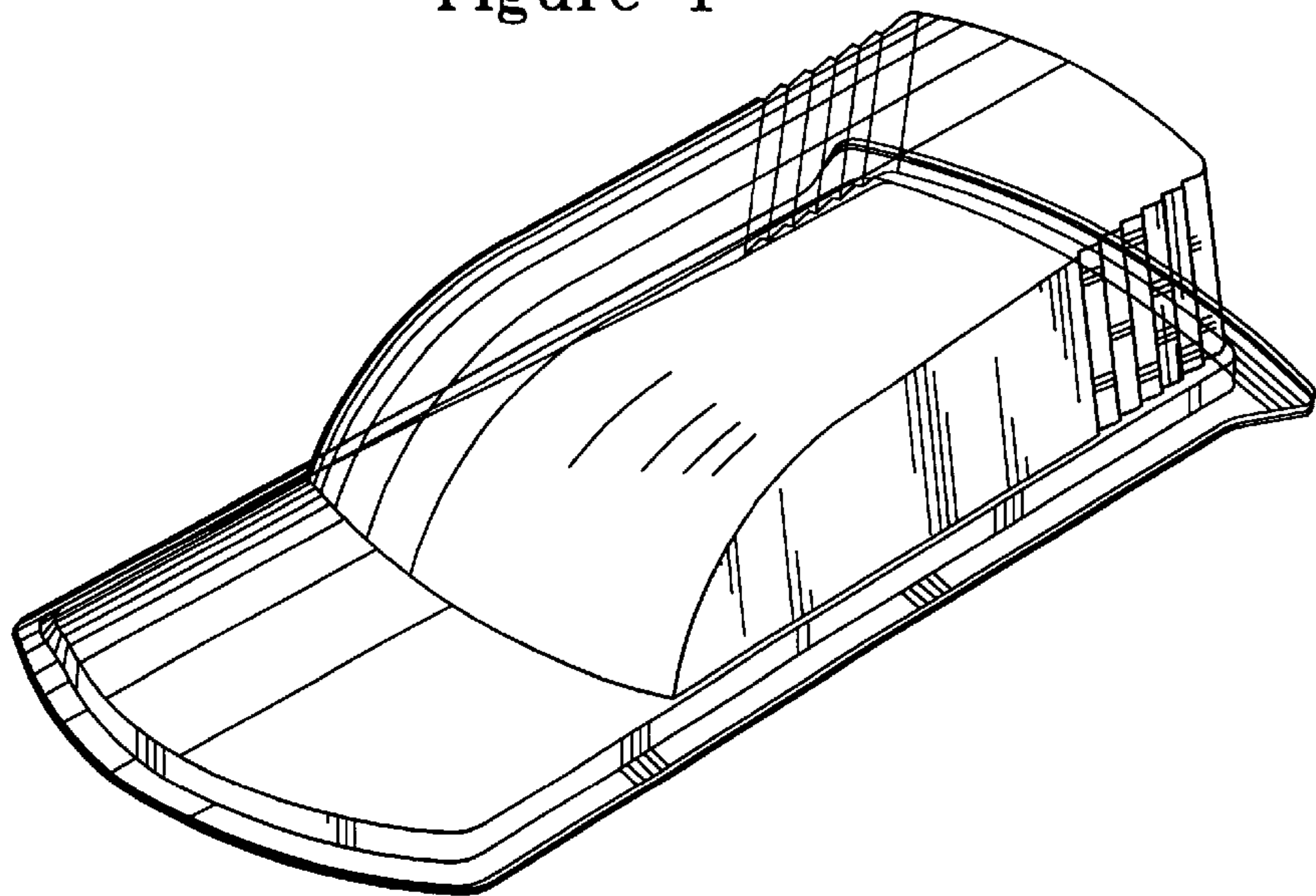


Figure 2

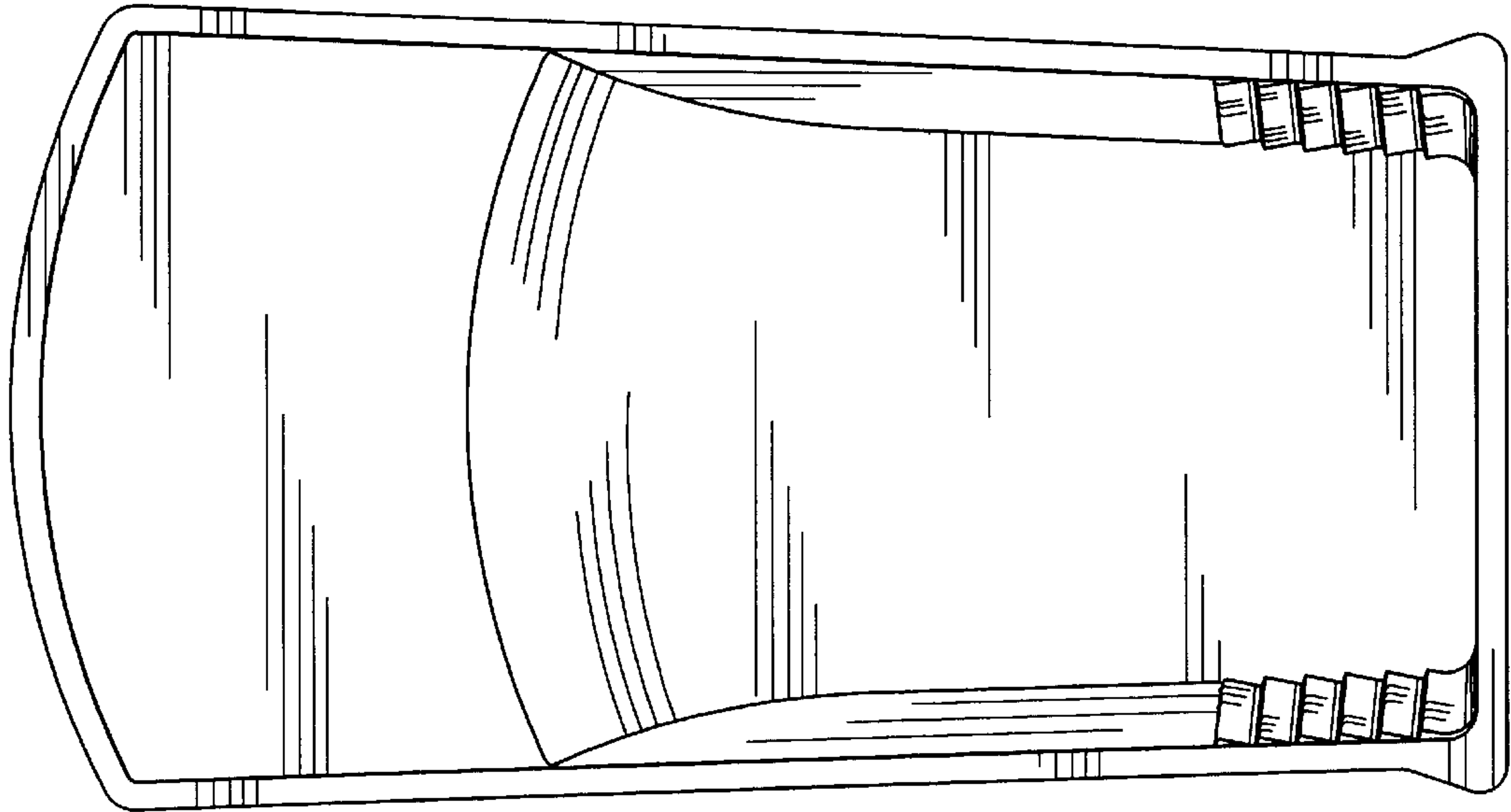


Figure 3

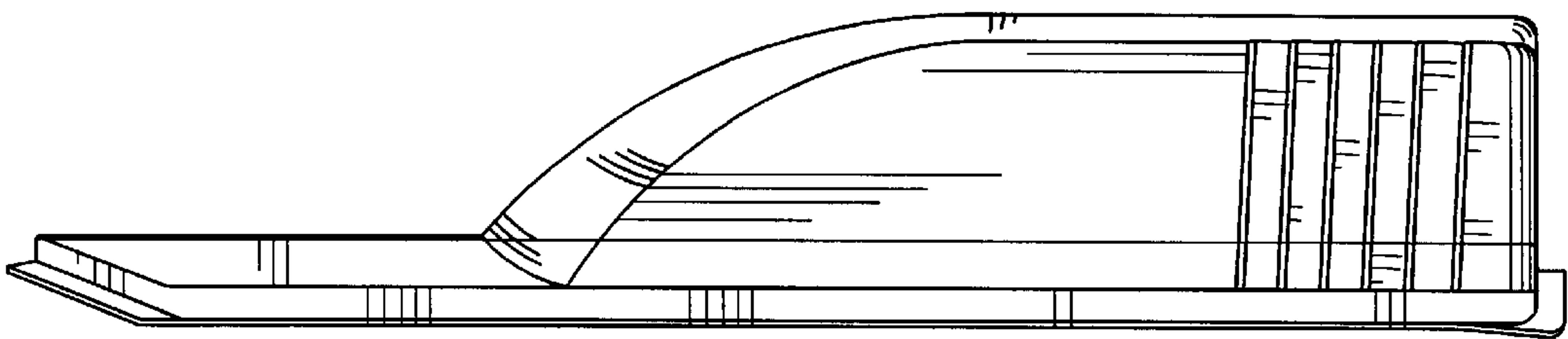


Figure 4

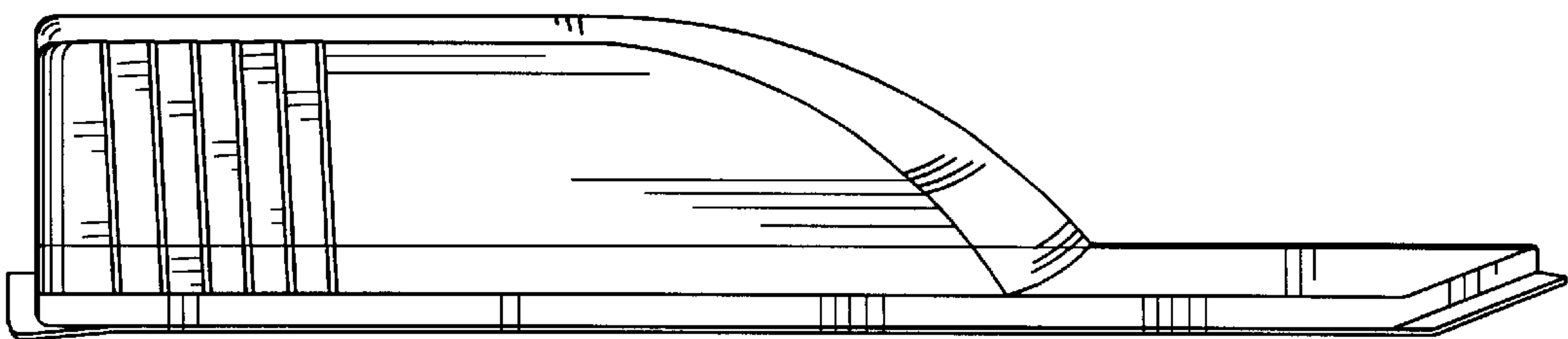


Figure 5

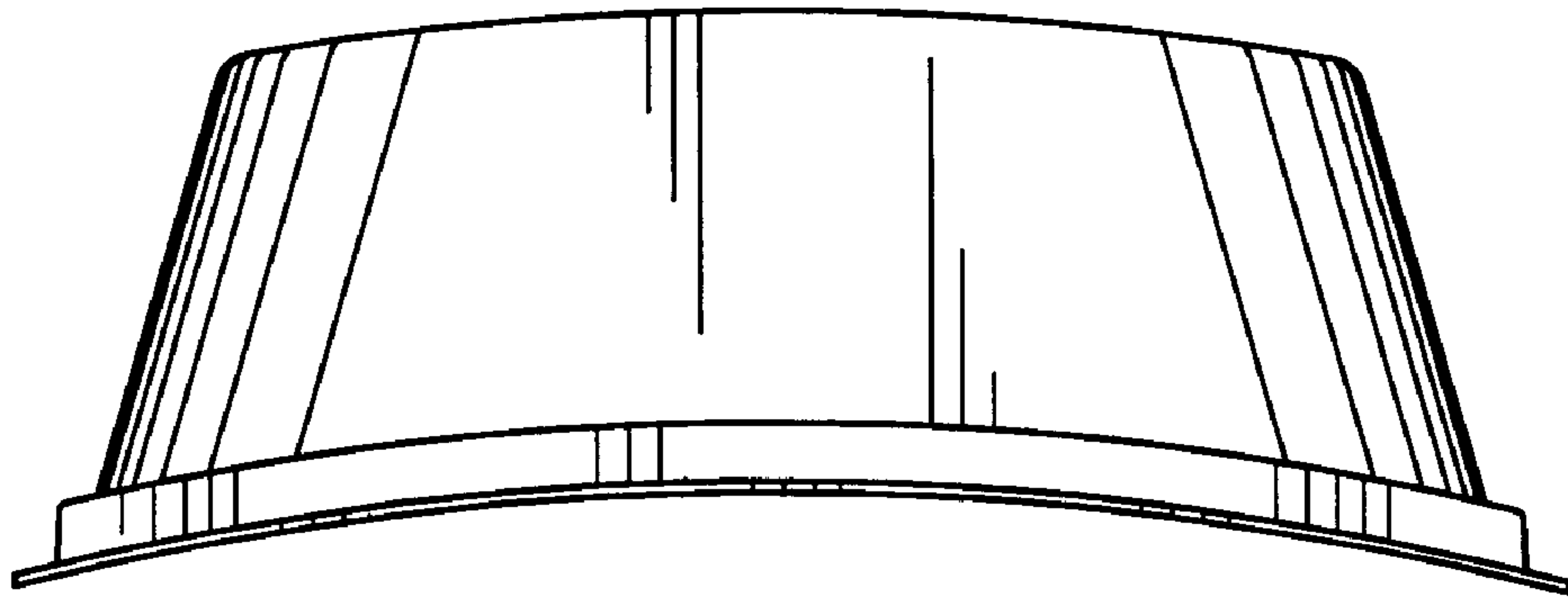


Figure 6

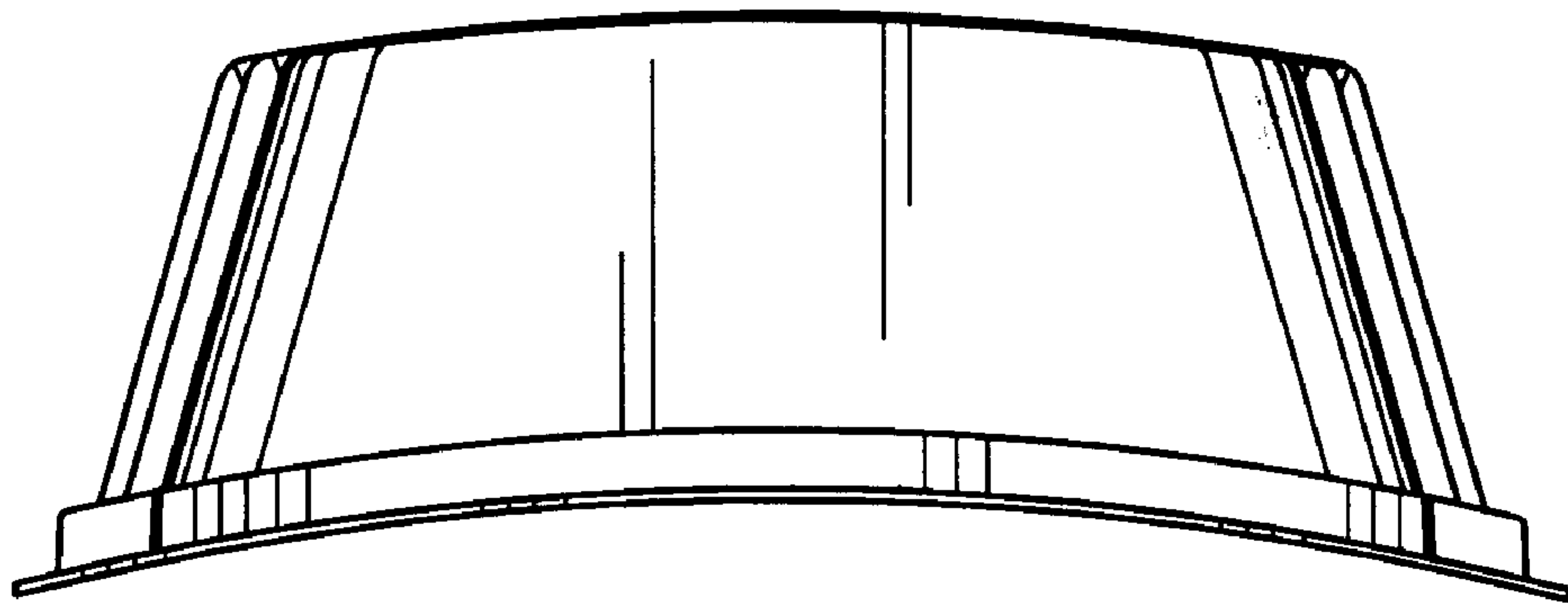


Figure 7



UNITED STATES PATENT AND TRADEMARK OFFICE  
**CERTIFICATE OF CORRECTION**

PATENT NO. : Des. 459,219 S  
DATED : June 25, 2002  
INVENTOR(S) : Kendrew Lee

Page 1 of 1

It is certified that error appears in the above-identified patent and that said Letters Patent is hereby corrected as shown below:

Drawings,

Figure 1: please add -- © 2001 Monster Cable Products, Inc. --;  
Figure 2: please add -- © 2001 Monster Cable Products, Inc. --;  
Figure 3: please add -- © 2001 Monster Cable Products, Inc. --;  
Figure 4: please add -- © 2001 Monster Cable Products, Inc. --;  
Figure 5: please add -- © 2001 Monster Cable Products, Inc. --;  
Figure 6: please add -- © 2001 Monster Cable Products, Inc. --;  
Figure 7: please add -- © 2001 Monster Cable Products, Inc. --

Signed and Sealed this

Eighth Day of October, 2002

*Attest:*



*Attesting Officer*

JAMES E. ROGAN  
*Director of the United States Patent and Trademark Office*