



US00D459212S

(12) **United States Design Patent**
Gobe

(10) **Patent No.:** **US D459,212 S**

(45) **Date of Patent:** **** Jun. 25, 2002**

(54) **TUBE WITH CAP**

(75) **Inventor:** **Marc Gobe, New York, NY (US)**

(73) **Assignee:** **Intimate Beauty Corporation, New York, NY (US)**

(**) **Term:** **14 Years**

(21) **Appl. No.:** **29/141,183**

(22) **Filed:** **May 1, 2001**

(51) **LOC (7) Cl.** **09-01**

(52) **U.S. Cl.** **D9/302**

(58) **Field of Search** D9/300, 302, 306,
D9/521, 539; 222/94, 145.3, 536, 212,
490, 507; D28/7

(56) **References Cited**

U.S. PATENT DOCUMENTS

- 3,349,972 A * 10/1967 Whiteford 222/212
- D356,026 S * 3/1995 Iaia et al. D9/302
- 5,702,033 A * 12/1997 Beaver 222/94

- D404,296 S * 1/1999 Durliat et al. D9/302
- D424,422 S * 5/2000 Landhod D9/302
- D430,802 S * 9/2000 Adachi et al. D9/302 X

* cited by examiner

Primary Examiner—Paula A. Mortimer

(74) *Attorney, Agent, or Firm*—Colucci & Umans; Angelo Notaro; Peter C. Michalos

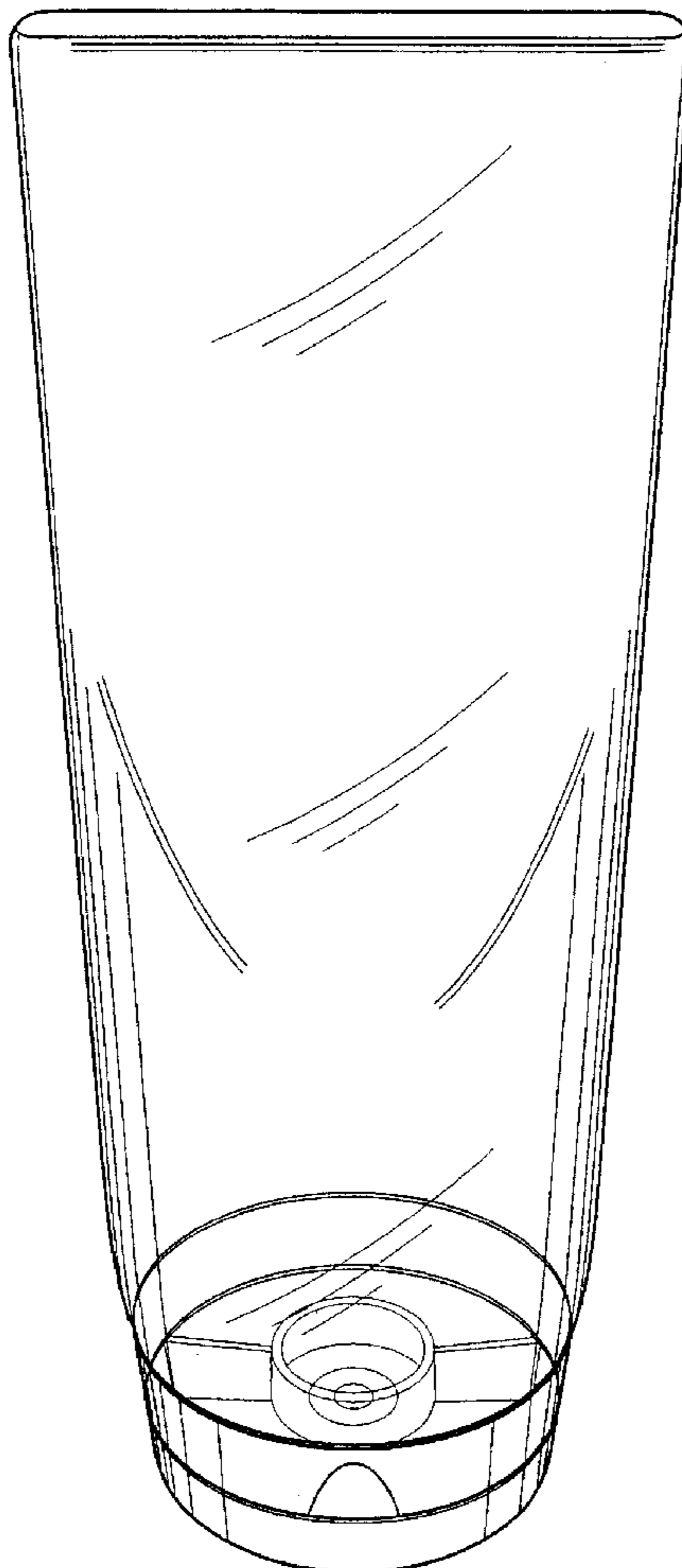
(57) **CLAIM**

The ornamental design for a tube with cap, as shown and described.

DESCRIPTION

FIG. 1 is a perspective view of my new design;
 FIG. 2 is a front view thereof;
 FIG. 3 is a side view thereof, the other side being a mirror image;
 FIG. 4 is a rear view thereof;
 FIG. 5 is a top plan view thereof; and,
 FIG. 6 is a bottom plan view thereof.

1 Claim, 3 Drawing Sheets



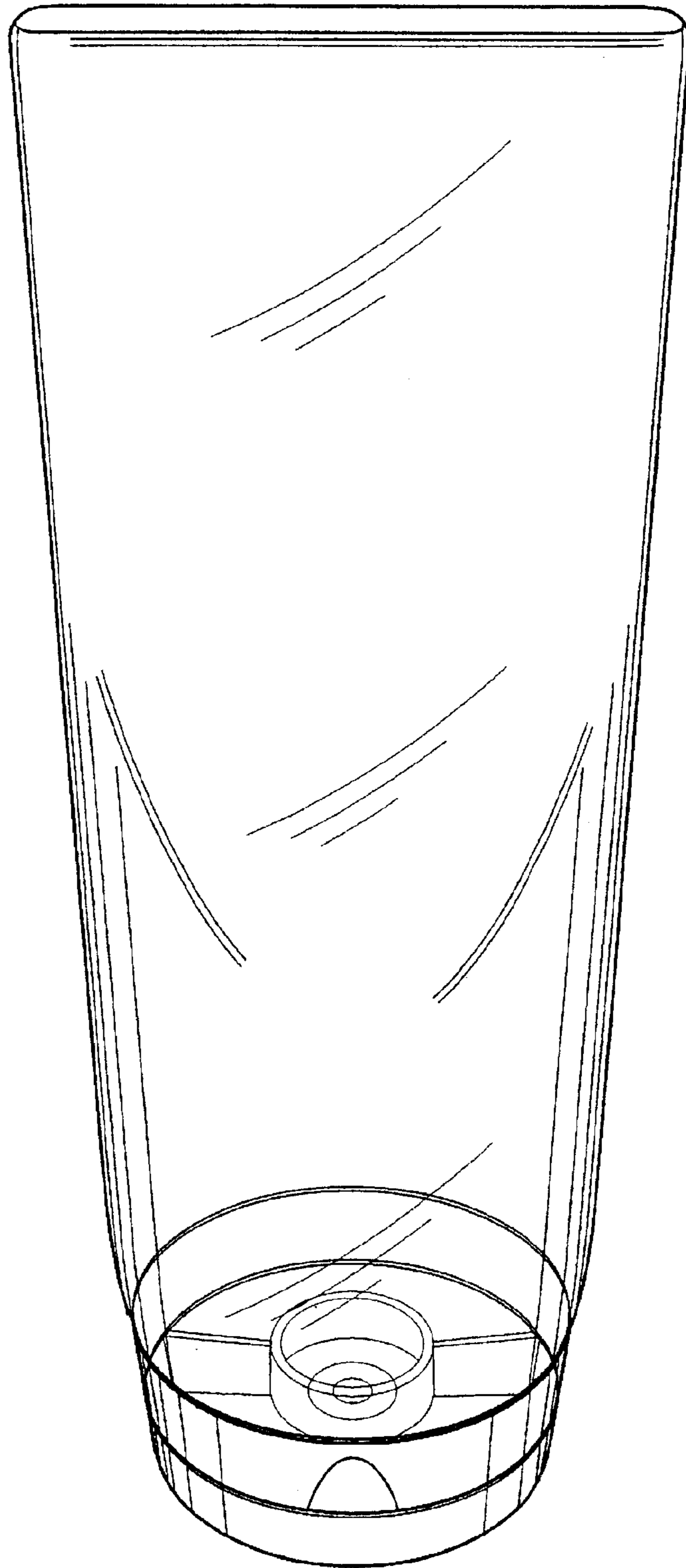


FIG. 1

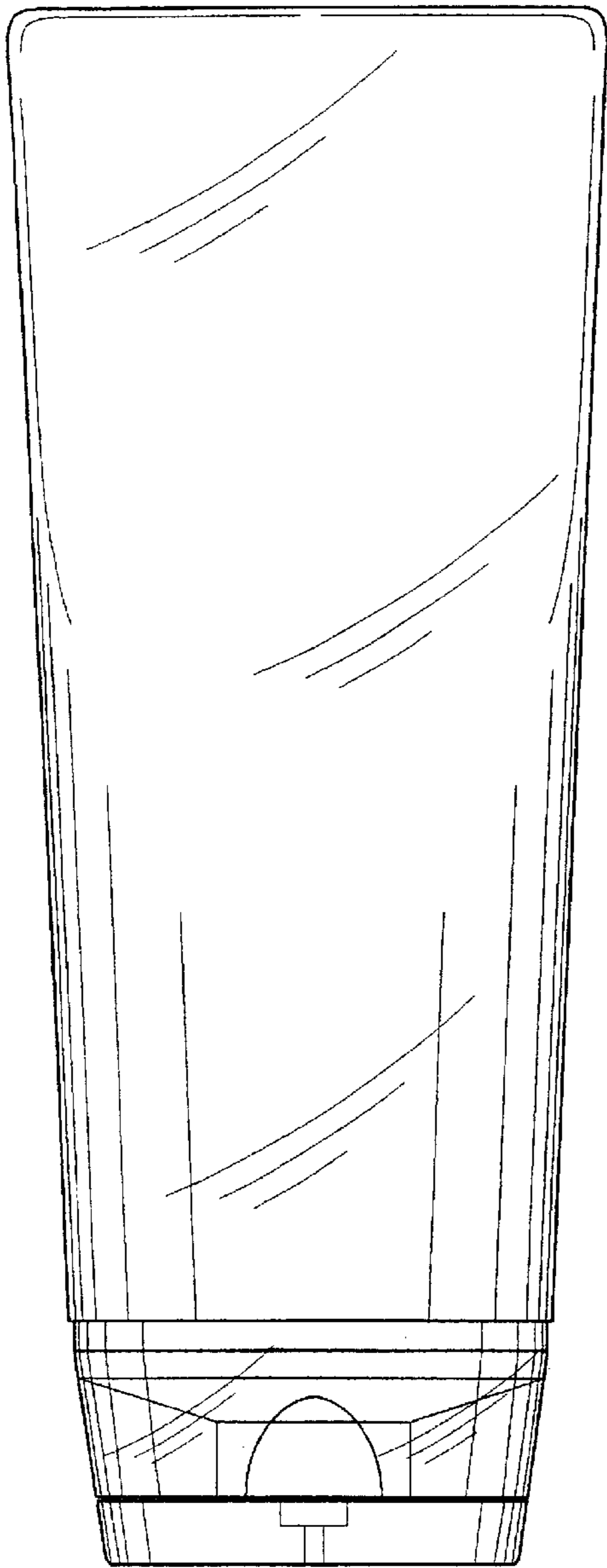


FIG. 2

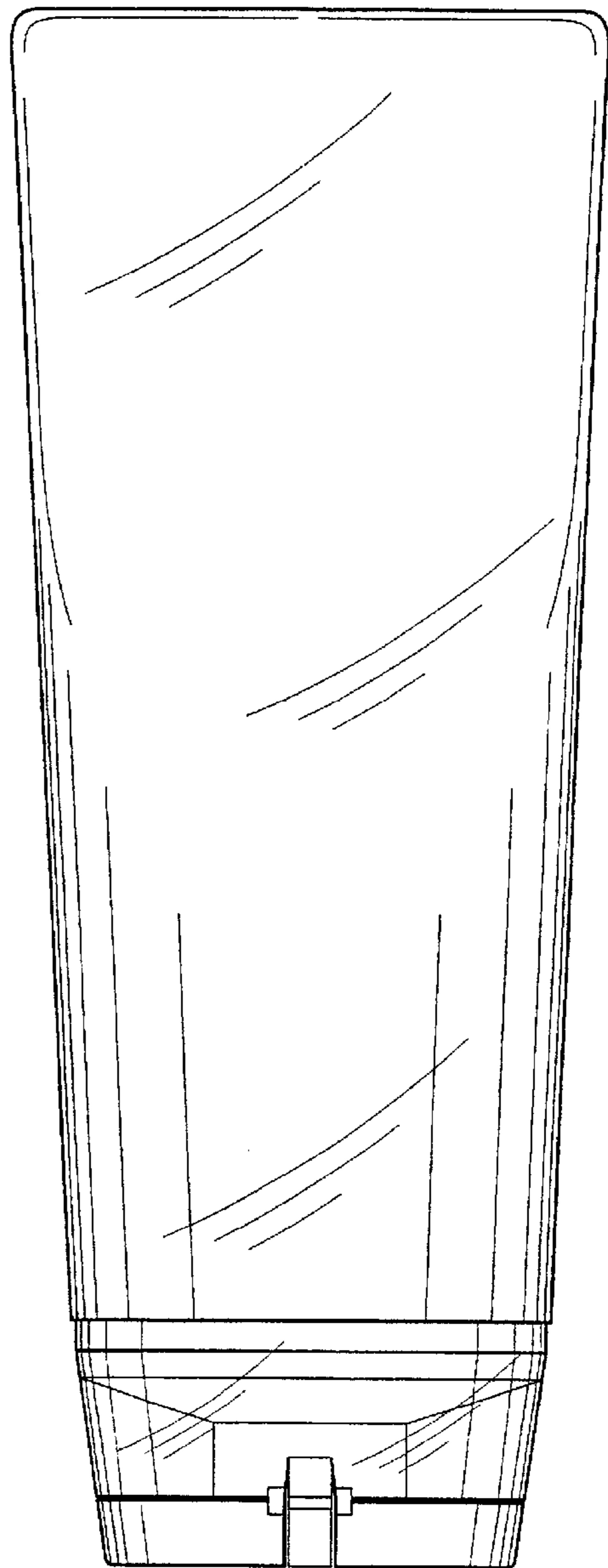


FIG. 4

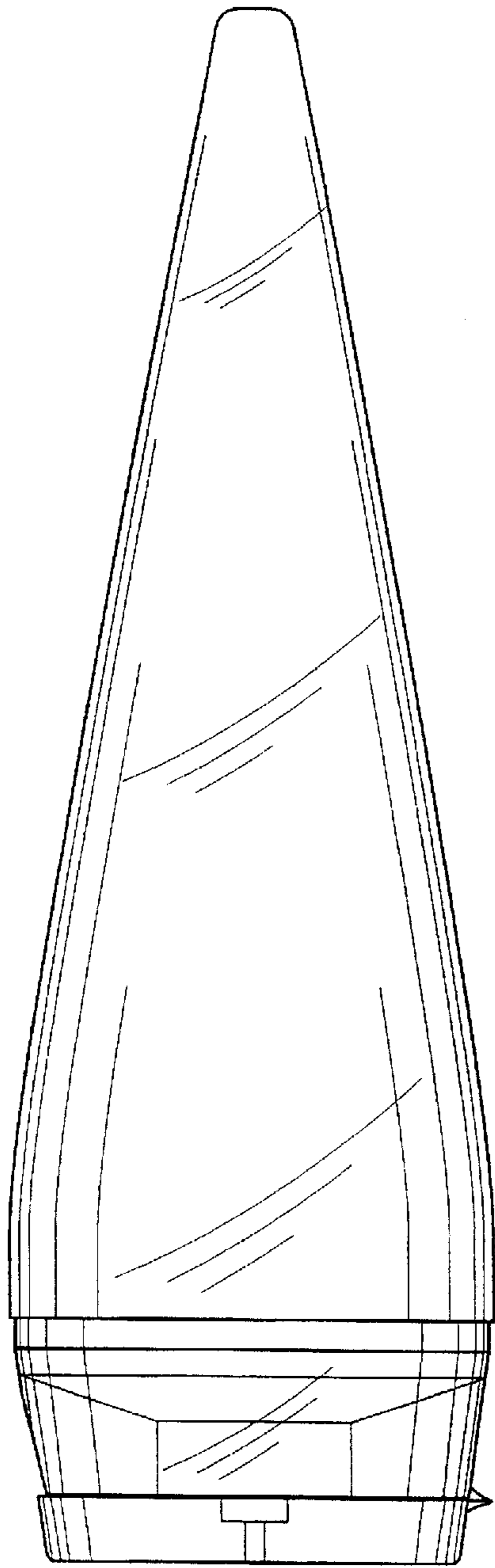


FIG. 3

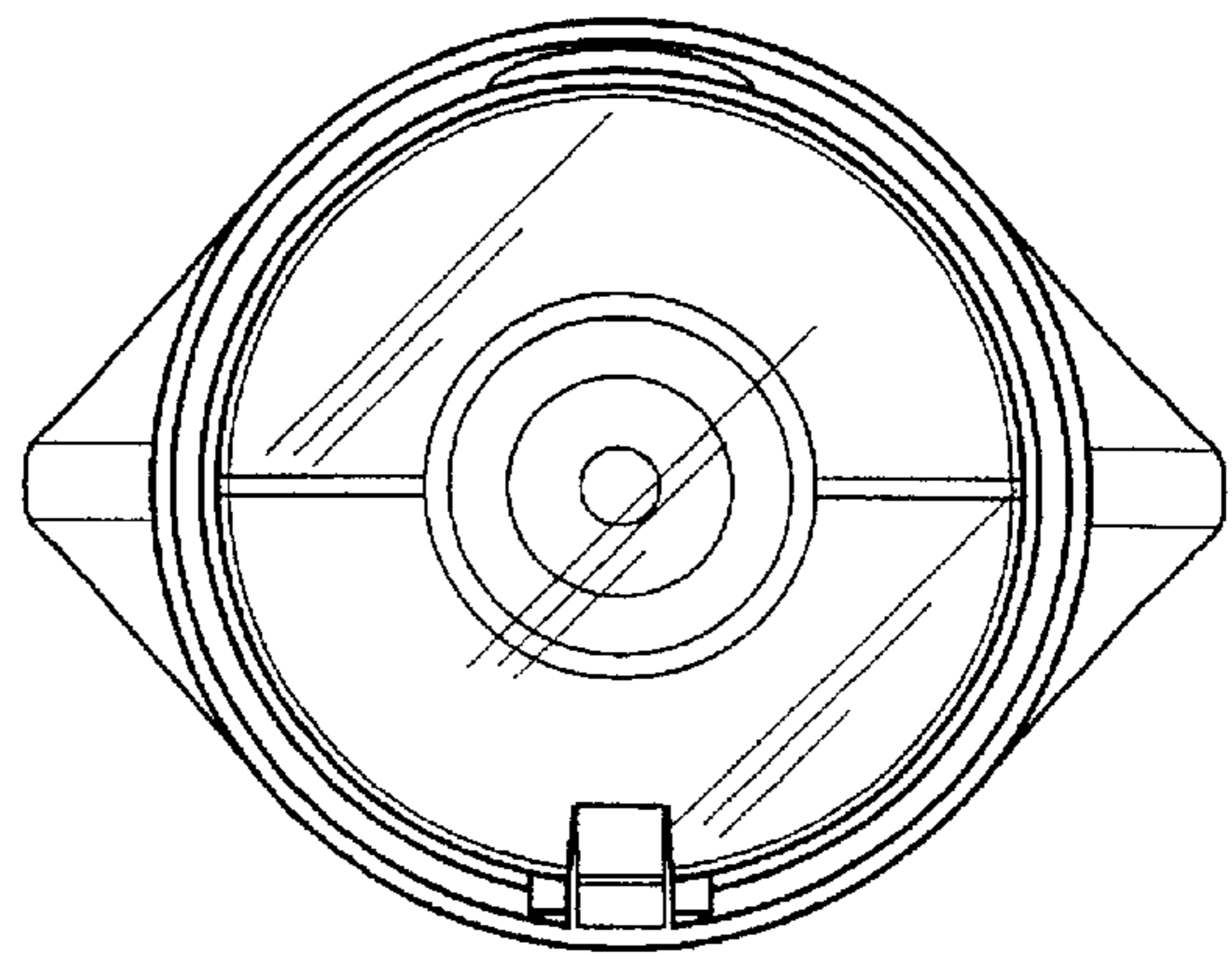


FIG. 5

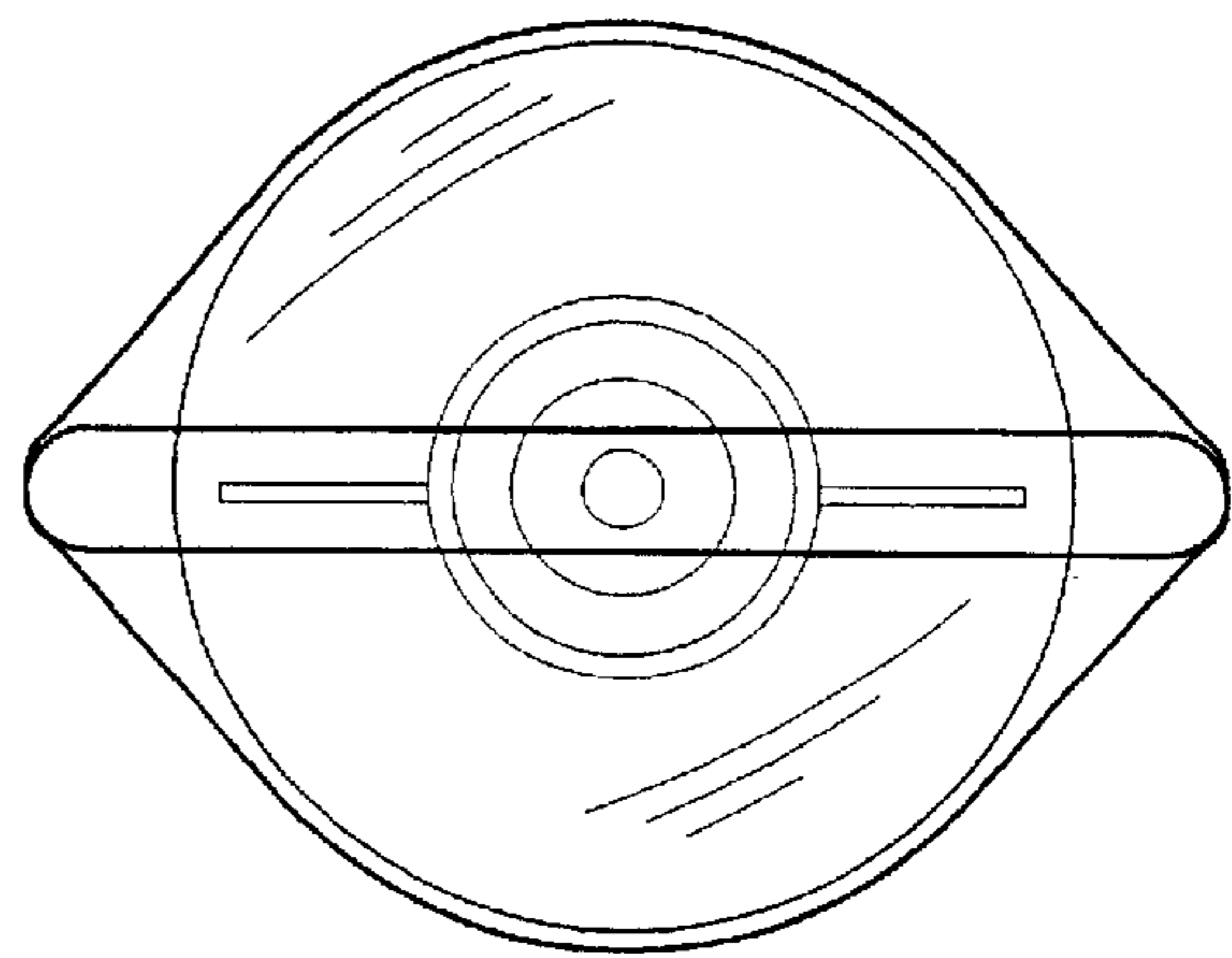


FIG. 6