



US00D459211S

(12) **United States Design Patent**
McGuinness

(10) **Patent No.:** **US D459,211 S**

(45) **Date of Patent:** **** Jun. 25, 2002**

(54) **BOTTLE**

(75) **Inventor:** **Palmer McGuinness**, Coral Springs, FL (US)

(73) **Assignee:** **Parlux Fragrances, Inc.**, Fort Lauderdale, FL (US)

(**) **Term:** **14 Years**

(21) **Appl. No.:** **29/142,965**

(22) **Filed:** **Jun. 4, 2001**

(51) **LOC (7) Cl.** **09-01**

(52) **U.S. Cl.** **D9/300; D9/549**

(58) **Field of Search** D9/300, 448, 500, D9/502, 503, 504, 505, 516, 529, 530, 537, 539, 542, 545, 546, 557, 558, 574, 449, 450; 215/381-384, 396, 398, 6, 10

(56) **References Cited**

U.S. PATENT DOCUMENTS

D78,465 S	*	5/1929	Groniger	D9/500
2,136,123 A	*	11/1938	Baron	222/517
D196,755 S	*	10/1963	Abplanalp et al.	D9/448
D207,925 S	*	6/1967	Koenigsberg	D9/529
D232,078 S	*	7/1974	Strand	D9/500
D275,556 S	*	9/1984	Thomson	D9/538
D310,031 S	*	8/1990	Curasi	D9/449
D318,612 S	*	7/1991	Brooks	D9/335
D371,969 S	*	7/1996	Cabo et al.	D9/548

D390,470 S	*	2/1998	Mahlmann et al.	D9/520
D395,598 S	*	6/1998	Lit et al.	D9/300
5,785,199 A	*	7/1998	Woidtke	220/258
D404,312 S	*	1/1999	Granai	D9/558

* cited by examiner

Primary Examiner—Doris V. Coles

Assistant Examiner—Carol Rademaker

(74) *Attorney, Agent, or Firm*—Blakely, Sokoloff, Taylor & Zafman LLP

(57) **CLAIM**

The ornamental design for a bottle, as shown and described.

DESCRIPTION

FIG. 1 is a perspective view showing the front, top and left side of my new design;

FIG. 2 is a front elevation view thereof, shown at a reduced scale;

FIG. 3 is a left side elevation view thereof, the right side being a mirror image and shown at a reduced scale;

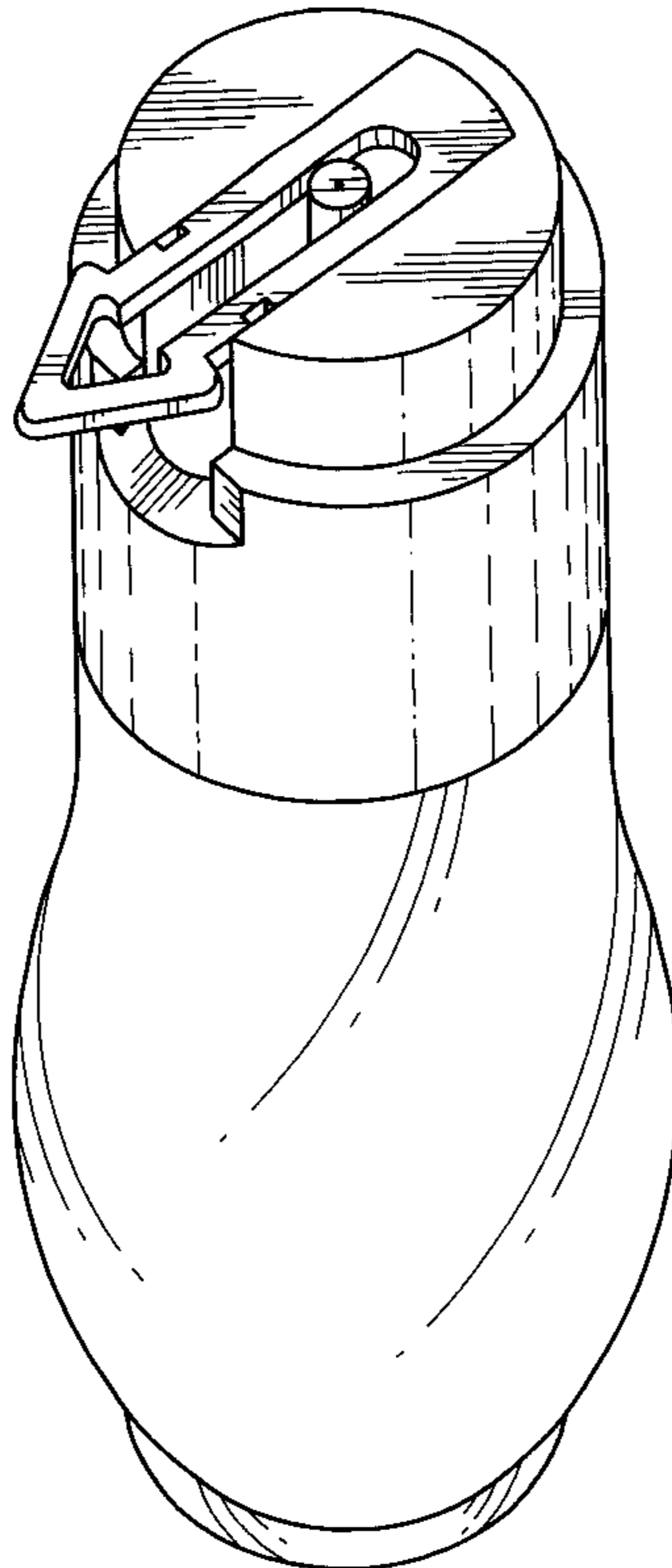
FIG. 4 is a rear elevation view thereof, shown at a reduced scale;

FIG. 5 is a top plan view thereof, shown at a reduced scale; and,

FIG. 6 is a bottom plan view thereof, shown at a reduced scale.

The oblique line shading shown in FIGS. 1-6 represents a translucent surface.

1 Claim, 2 Drawing Sheets



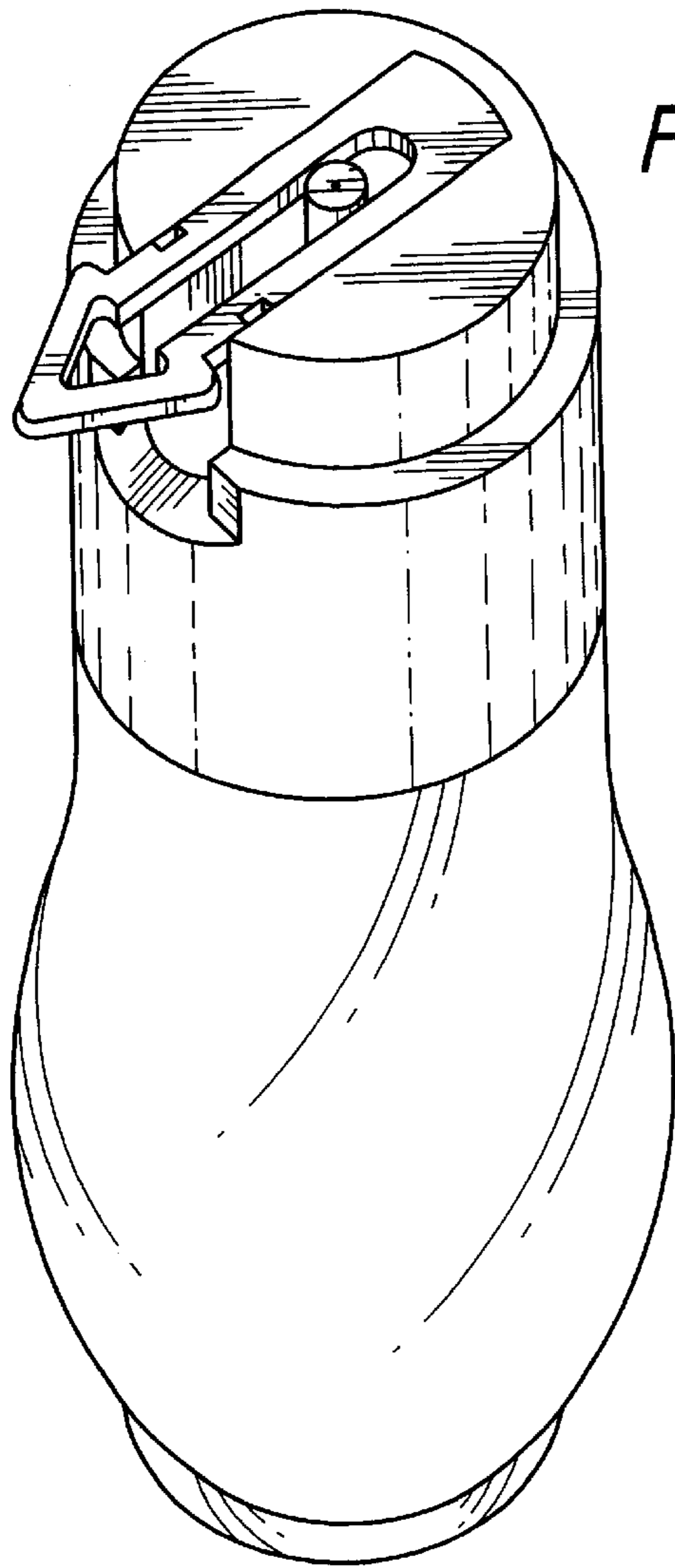


FIG. 1

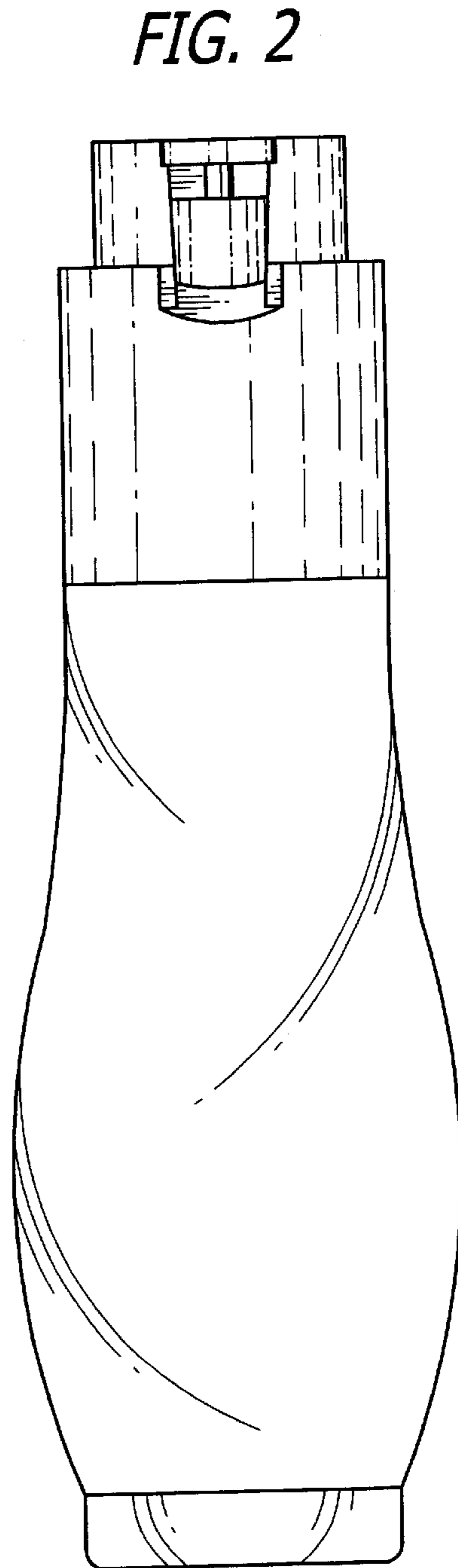


FIG. 2

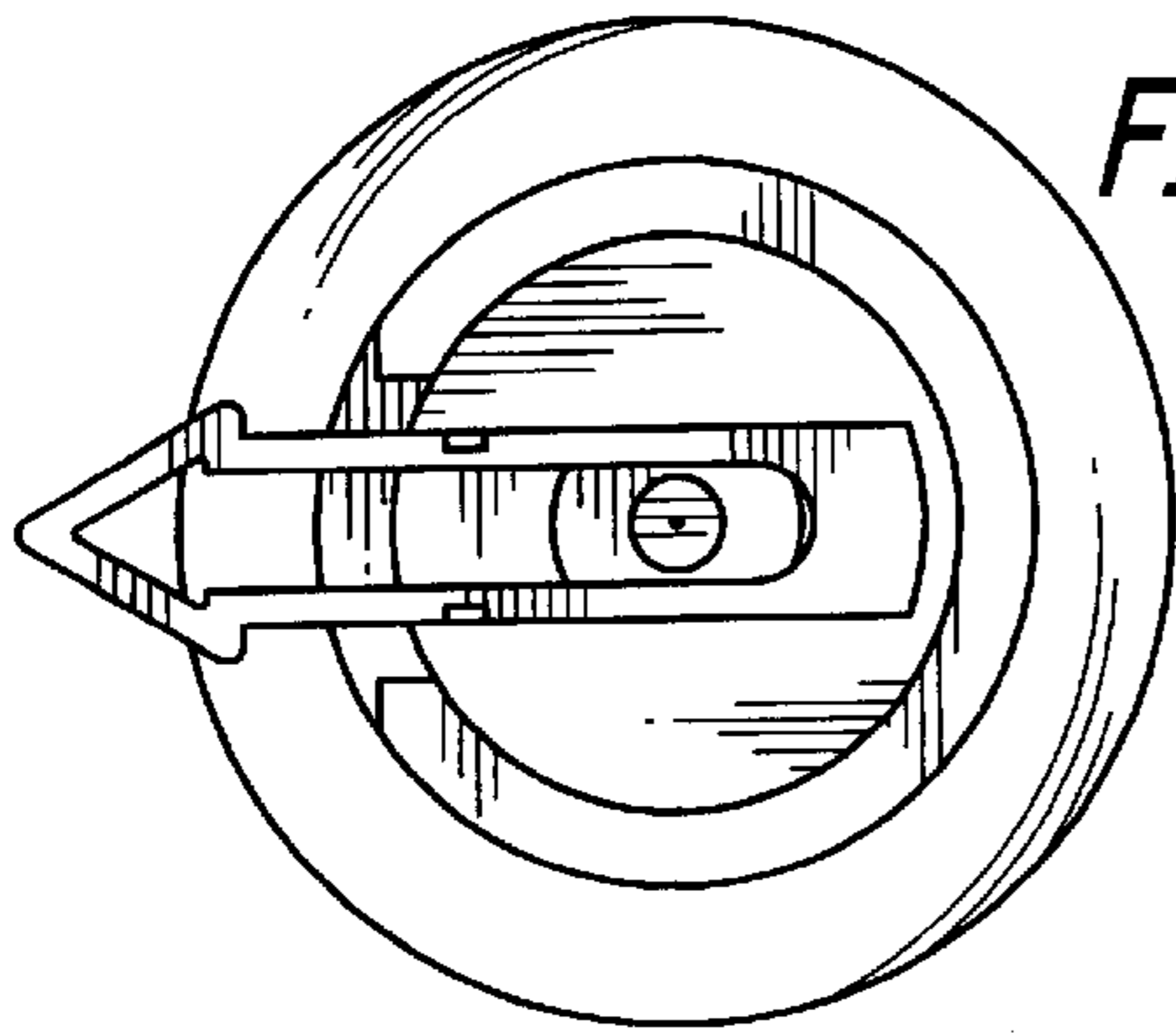


FIG. 5

FIG. 4

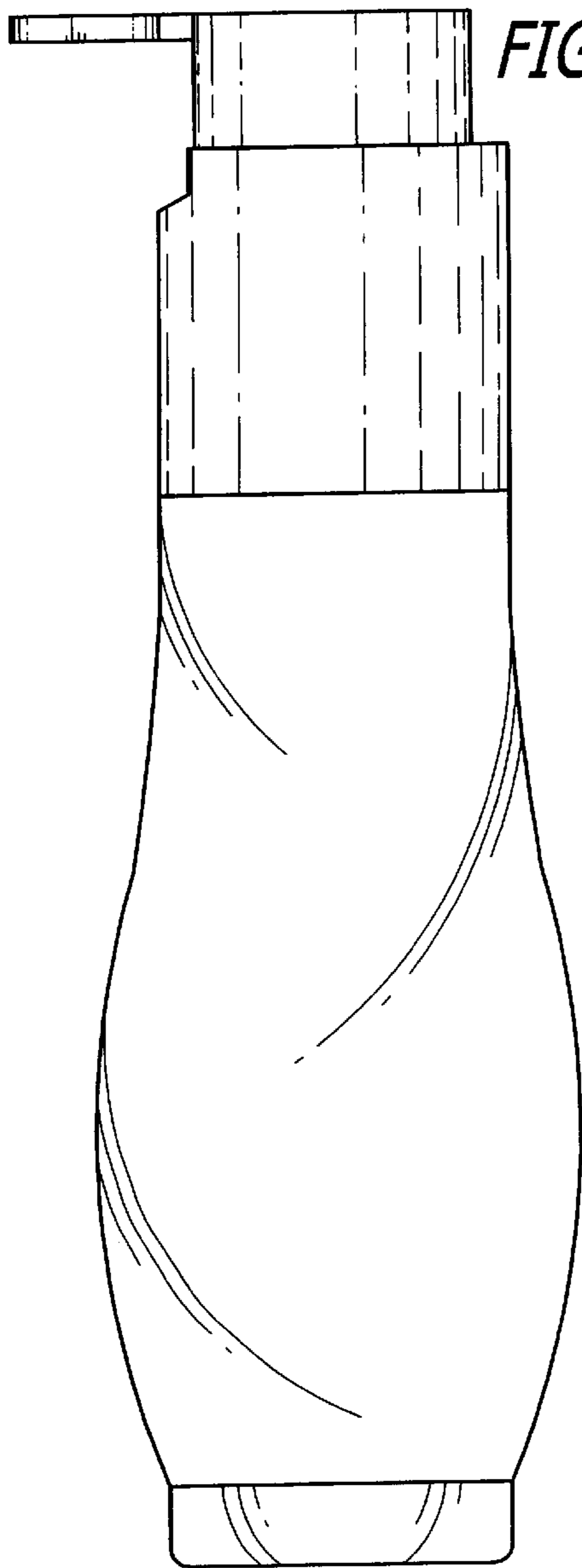
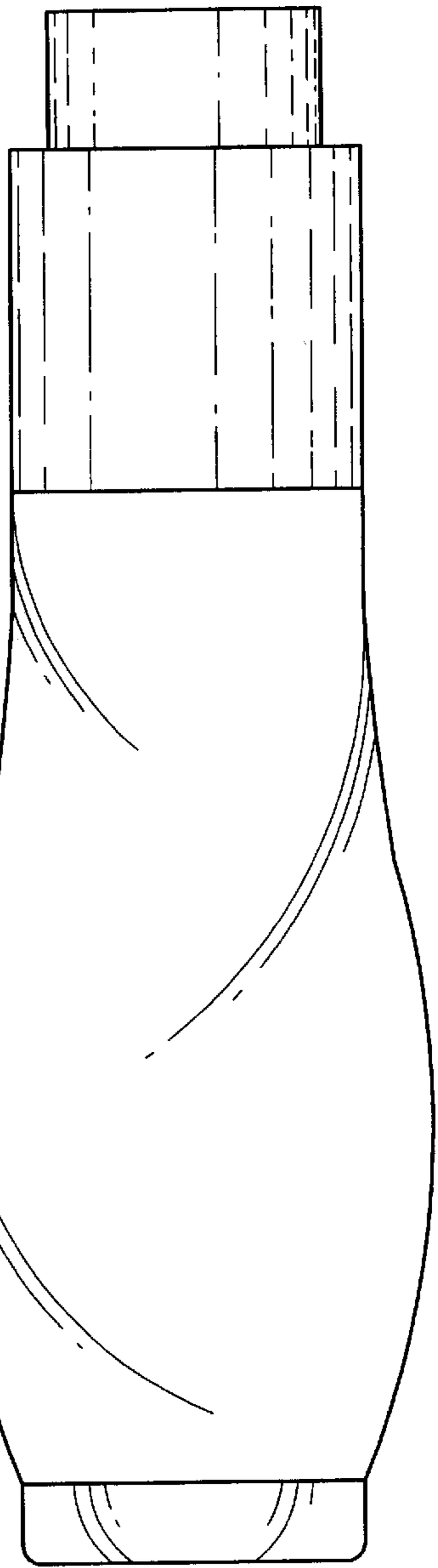


FIG. 3

FIG. 6

