



US00D459209S

(12) **United States Design Patent**
Yamamoto

(10) **Patent No.:** **US D459,209 S**

(45) **Date of Patent:** **** Jun. 25, 2002**

(54) **COMBINED PERFUME BOTTLE AND CAP**

D431,190 S * 9/2000 Adachi et al. D9/520
D438,097 S * 2/2001 Krunas D9/300

(75) Inventor: **Chieko Yamamoto**, Tokyo (JP)

* cited by examiner

(73) Assignee: **Shiseido Co., Ltd.**, Tokyo (JP)

Primary Examiner—Ted Shooman

(**) Term: **14 Years**

Assistant Examiner—Carol Rademaker

(21) Appl. No.: **29/132,052**

(74) *Attorney, Agent, or Firm*—Kanesaka & Takeuchi

(22) Filed: **Nov. 2, 2000**

(51) **LOC (7) Cl.** **09-01**

(57) **CLAIM**

(52) **U.S. Cl.** **D9/300; D9/529; D9/560**

The ornamental design for a combined perfume bottle and cap, as shown and described.

(58) **Field of Search** D9/300, 516, 504,
D9/529, 530, 544, 552, 560, 564, 572,
573, 574, 547-550; 215/381-385, 396,
398; D28/91.1

DESCRIPTION

(56) **References Cited**

U.S. PATENT DOCUMENTS

D94,814 S * 3/1935 Dunne D9/524
3,325,031 A * 6/1967 Singier 215/382
D247,281 S * 2/1978 Grodin D9/564
D309,860 S * 8/1990 Fossati D9/300
D325,700 S * 4/1992 Fromanger et al. D9/564
D344,458 S * 2/1994 Bruce D9/546

FIG. 1 is a front view of a combined perfume bottle and cap showing my new design, the rear view being identical to the front view;

FIG. 2 is a right side view thereof, the left side view being identical to the right side view;

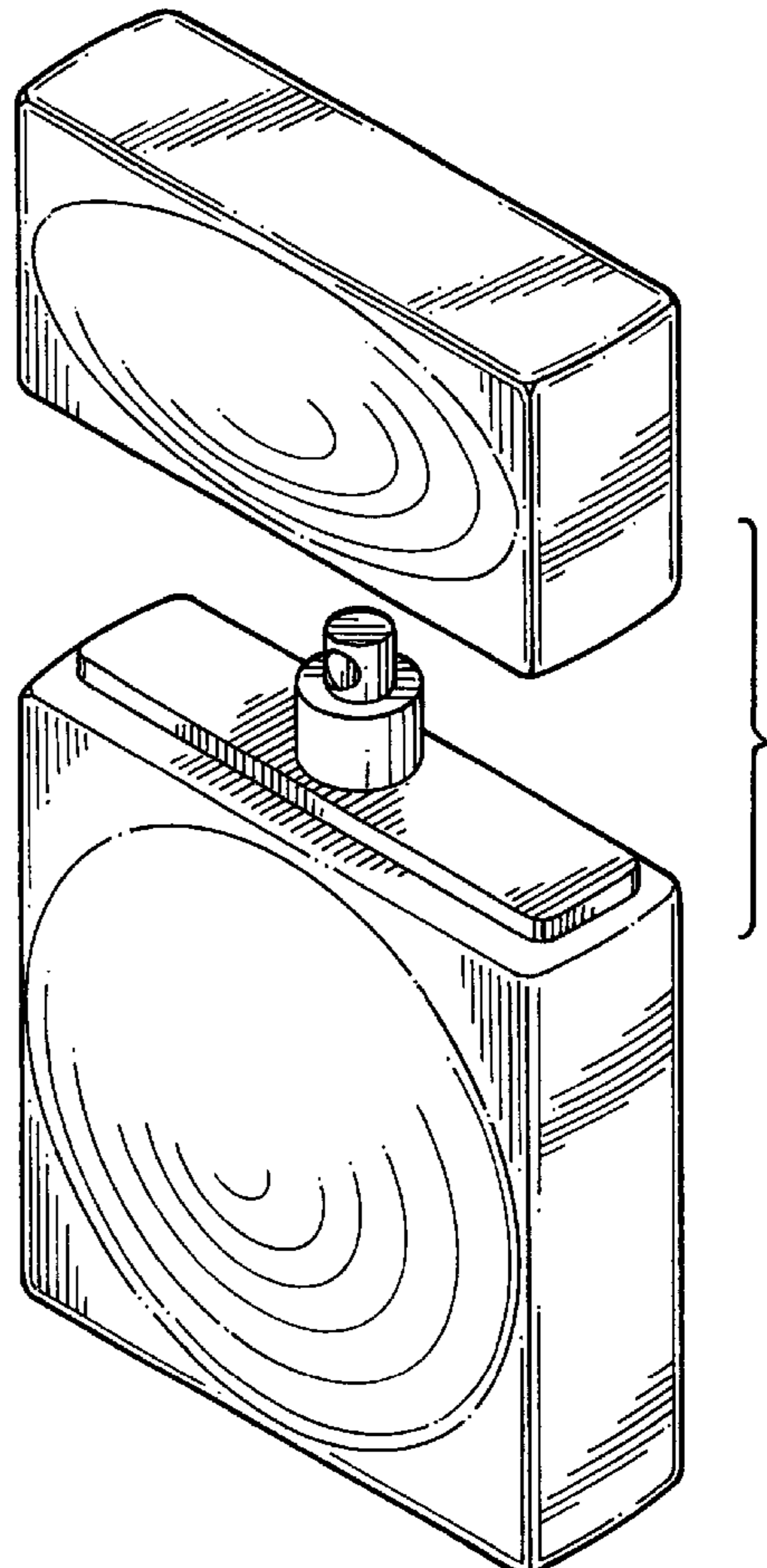
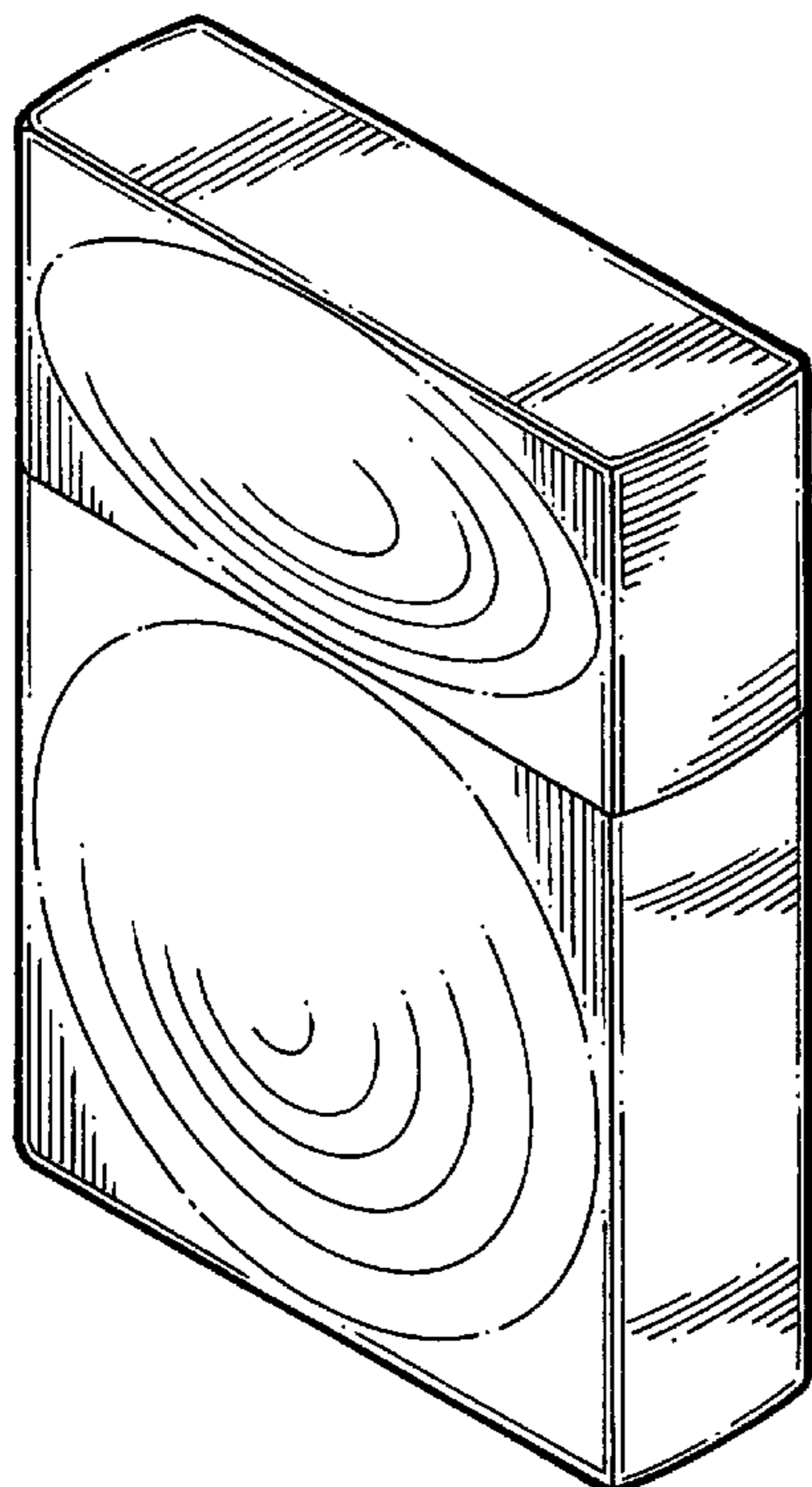
FIG. 3 is a top plan view thereof;

FIG. 4 is a bottom plan view thereof;

FIG. 5 is a perspective view thereof; and,

FIG. 6 is a perspective view thereof, wherein the cap is shown separated.

1 Claim, 4 Drawing Sheets



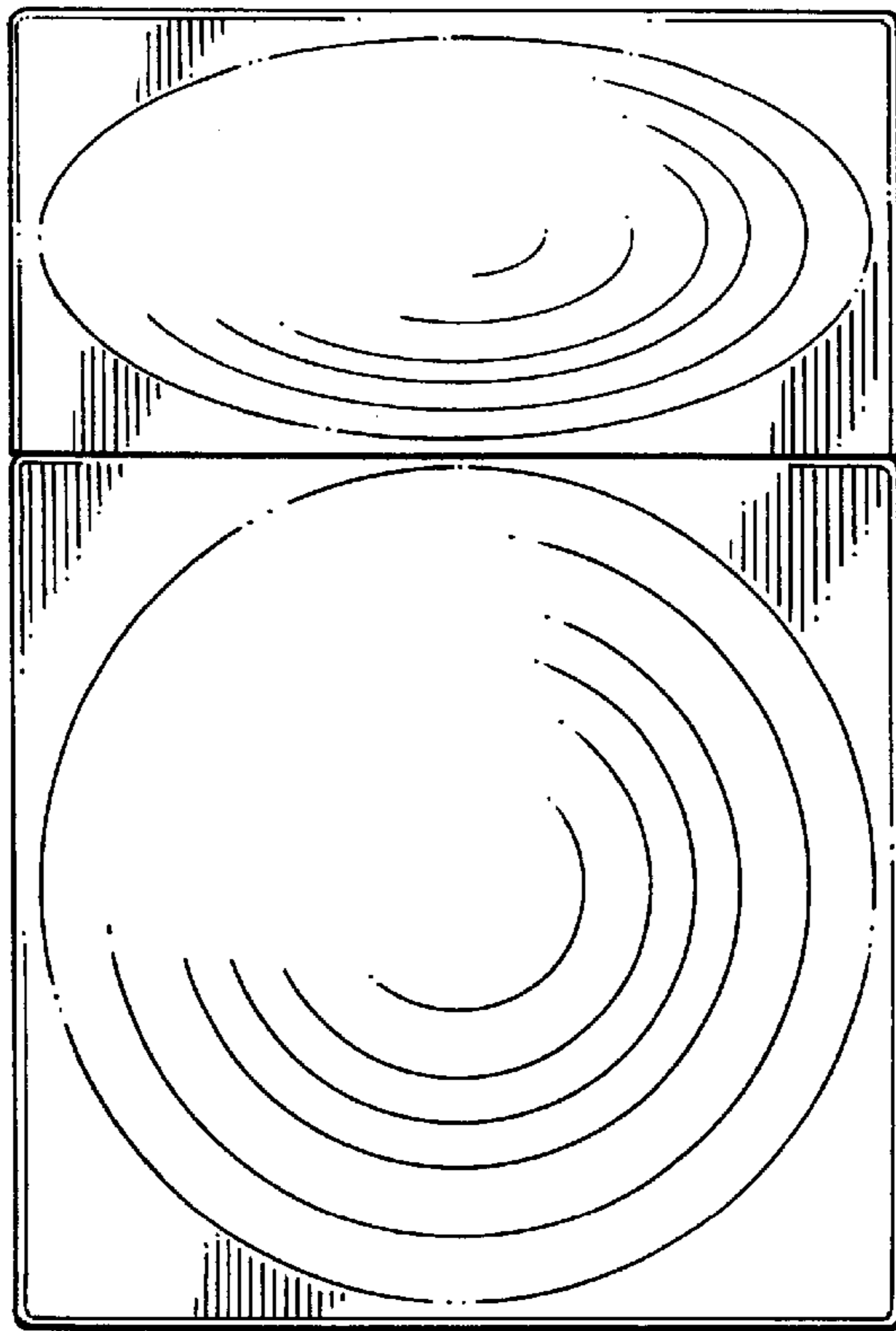


FIG. 1

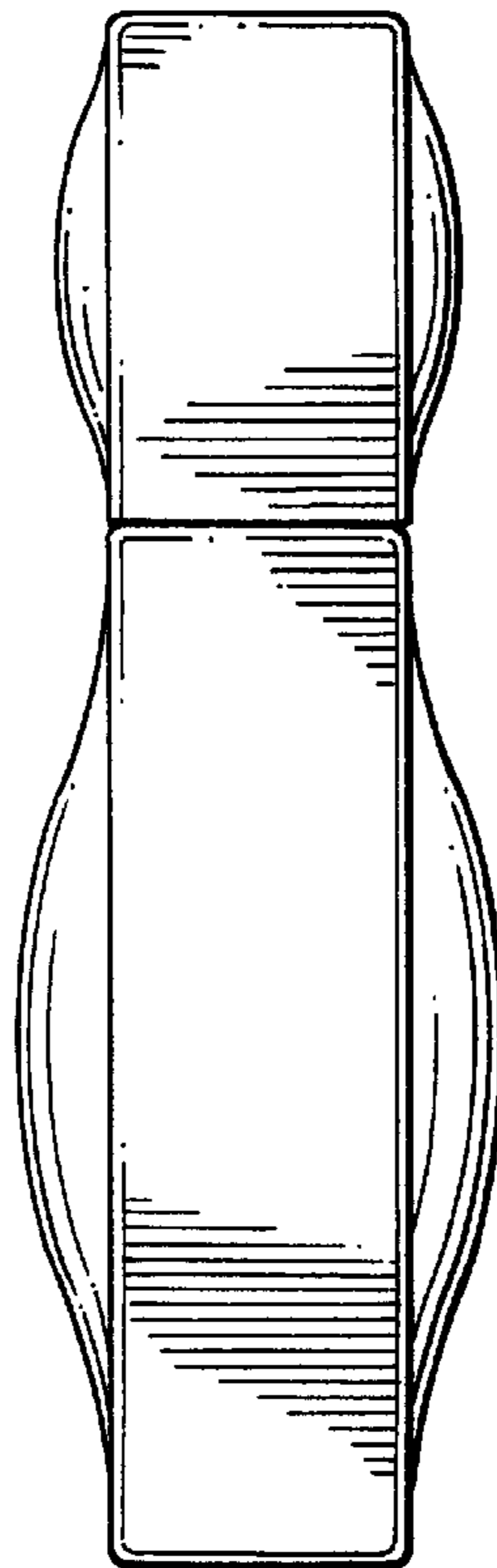


FIG. 2

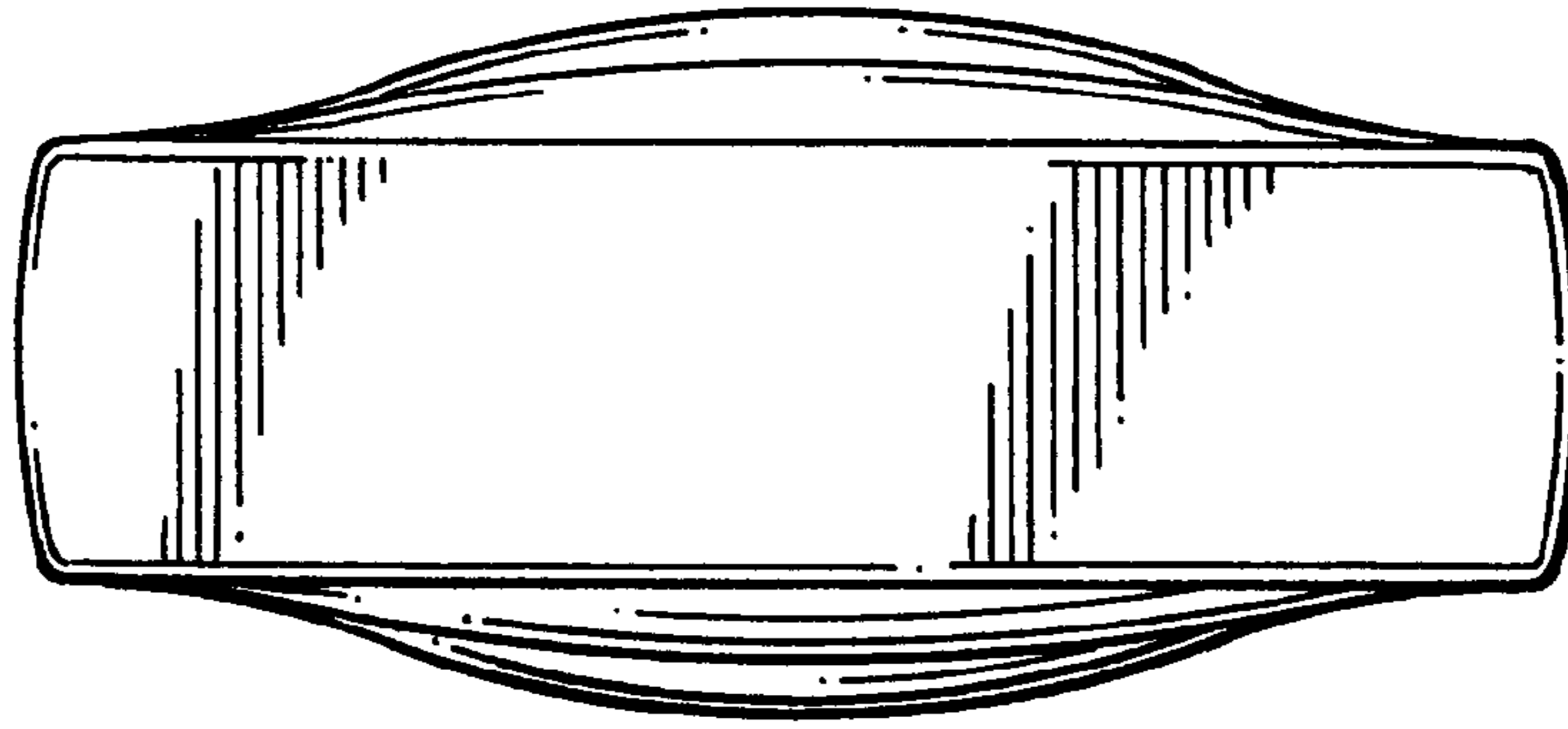


FIG. 3

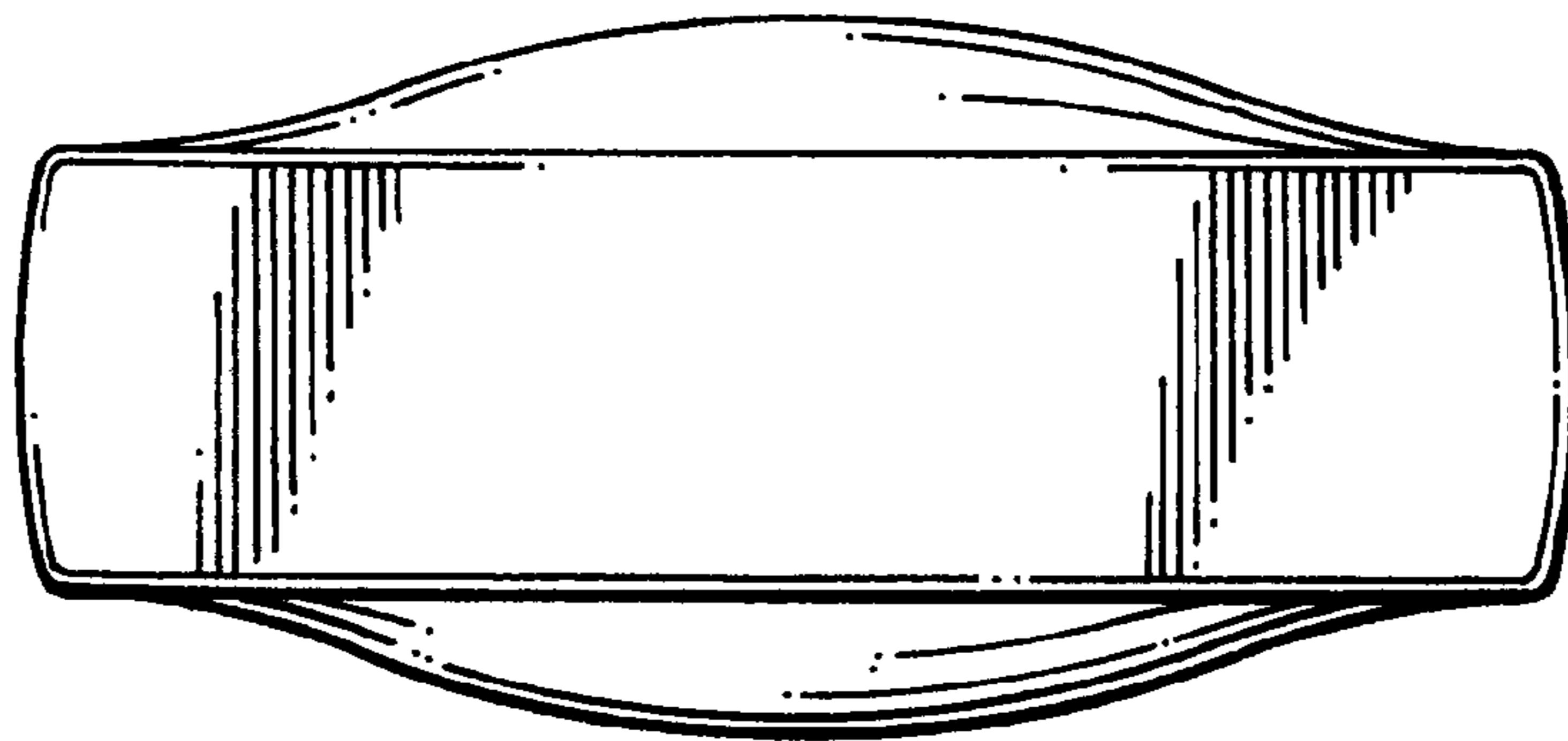


FIG. 4

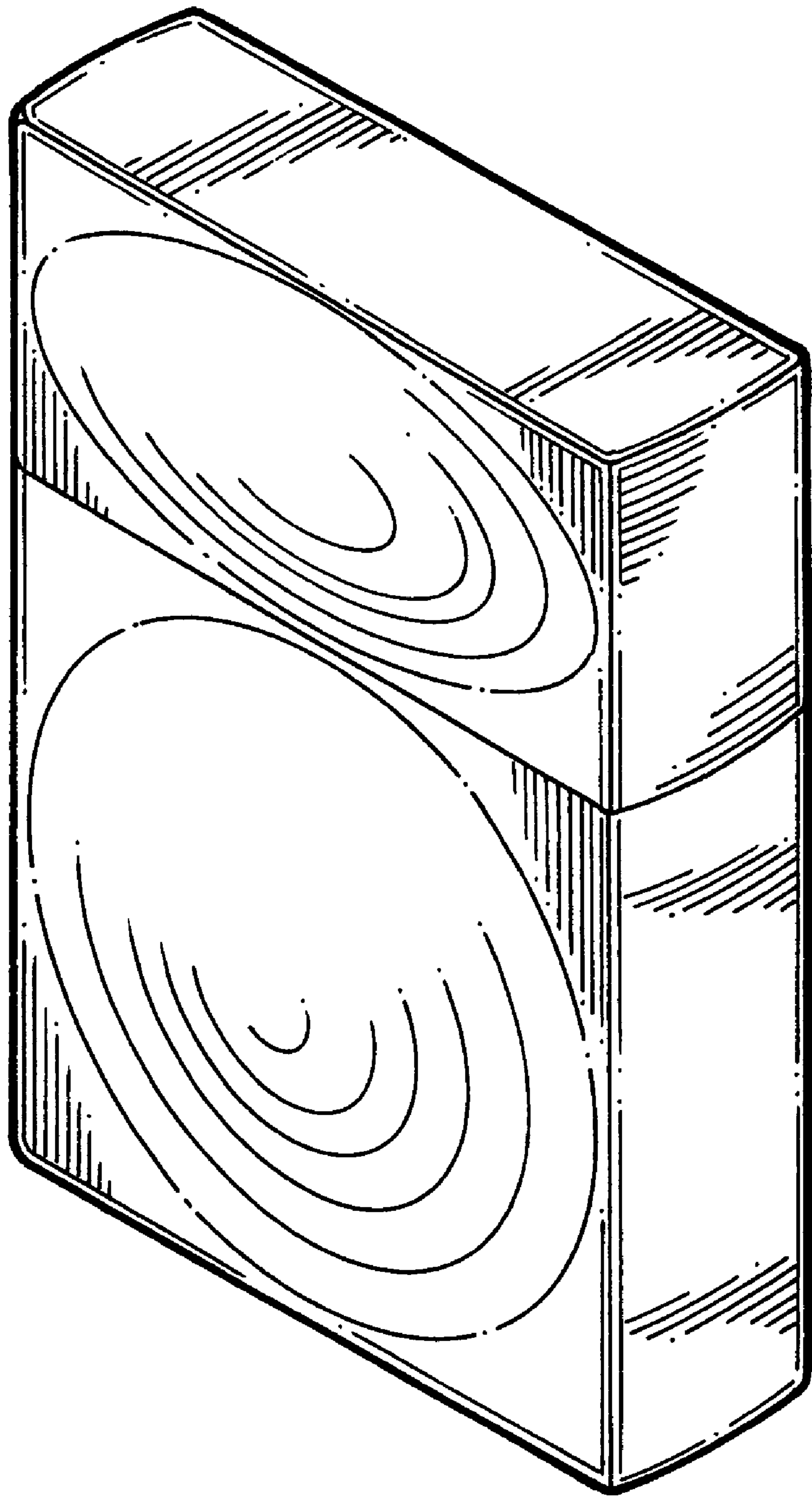


FIG. 5

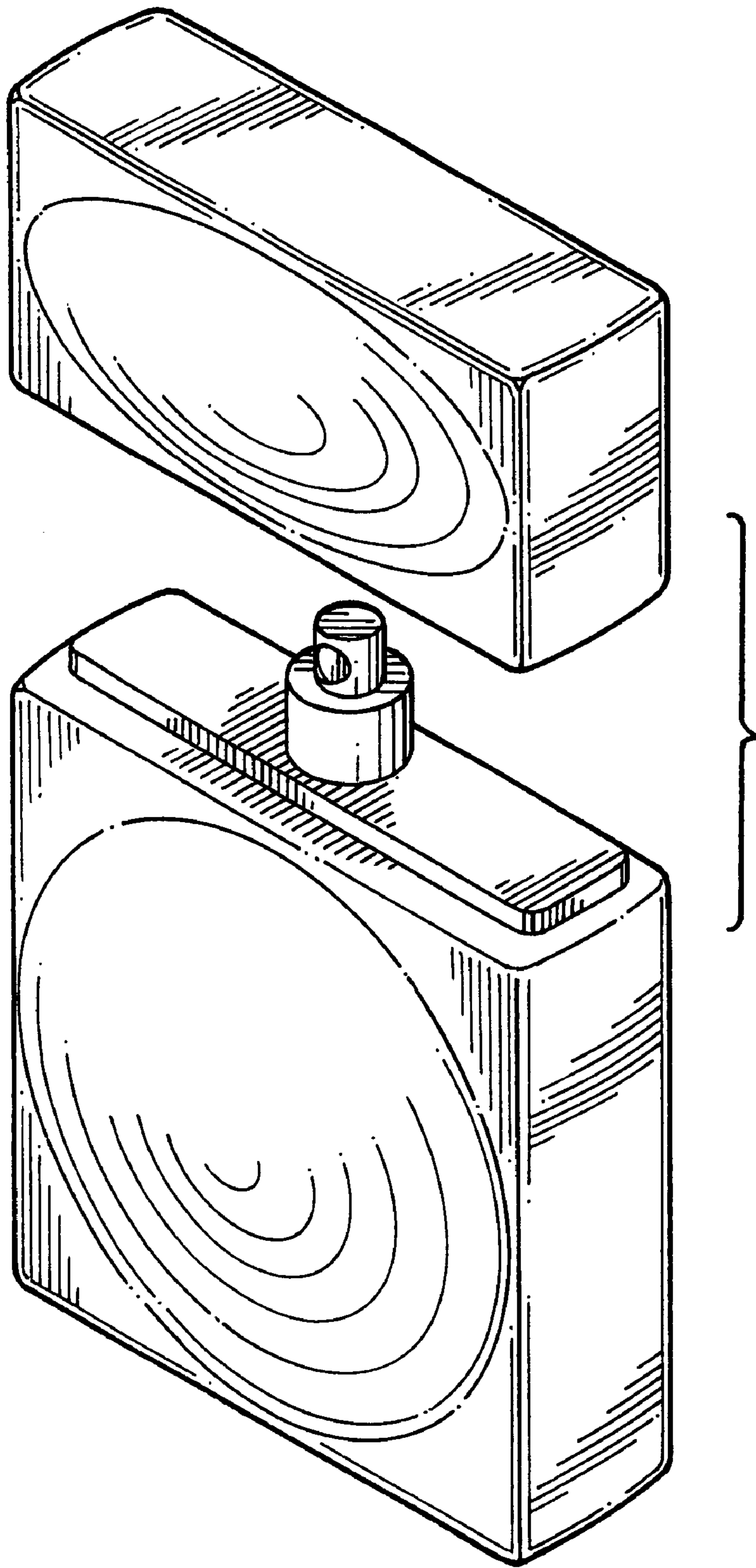


FIG. 6