



US00D459208S

(12) **United States Design Patent**
Figliola

(10) **Patent No.:** **US D459,208 S**

(45) **Date of Patent:** **** Jun. 25, 2002**

(54) **WINDOW STAY**

(75) Inventor: **Umberto Figliola**, Wellington (NZ)

(73) Assignee: **Interlock Group Limited** (NZ)

(**) Term: **14 Years**

(21) Appl. No.: **29/148,466**

(22) Filed: **Sep. 5, 2001**

(30) **Foreign Application Priority Data**

Mar. 6, 2001	(NZ)	401513
Mar. 6, 2001	(NZ)	401514
Mar. 6, 2001	(NZ)	401515

(51) **LOC (7) Cl.** **08-08**

(52) **U.S. Cl.** **D8/402**

(58) **Field of Search** D8/402, 499; 16/339,
16/342, 345

(56) **References Cited**

U.S. PATENT DOCUMENTS

4,555,829	A	*	12/1985	Davis	16/342
4,833,754	A	*	5/1989	Yang	16/339
D376,098	S	*	12/1996	Bucher	D8/400

* cited by examiner

Primary Examiner—Brian N. Vinson

(74) *Attorney, Agent, or Firm*—Blakely Sokoloff Taylor & Zafman

(57) **CLAIM**

The ornamental design for a window stay, as shown and described.

DESCRIPTION

FIG. 1 is a general view (in the open position) of a first embodiment of the window stay of my new design;

FIG. 2 is a general view of the window stay of FIG. 1 but showing the window stay in the closed position;

FIG. 3 is a plan view showing the window stay of FIG. 1;

FIG. 4 is a plan view of the window stay as shown in the closed position in FIG. 2;

FIG. 5 is a front elevation view of the window stay of FIG. 2 in its closed position;

FIG. 6 is a rear elevation view of the window stay of FIG. 2 in its closed position;

FIG. 7 is a general view (in the open position) of a second embodiment of the window stay of my new design;

FIG. 8 is a general view of the window stay of FIG. 7 but showing the window stay in the closed position;

FIG. 9 is a plan view showing the window stay of FIG. 7;

FIG. 10 is a plan view of the window stay as shown in the closed position in FIG. 8;

FIG. 11 is a front elevation view of the window stay of FIG. 8 in its closed position;

FIG. 12 is a rear elevation view of the window stay of FIG. 8 in its closed position;

FIG. 13 is a general view (in the open position) of a third embodiment of the window stay of my new design;

FIG. 14 is a general view of the window stay of FIG. 13 but showing the window stay in the closed position;

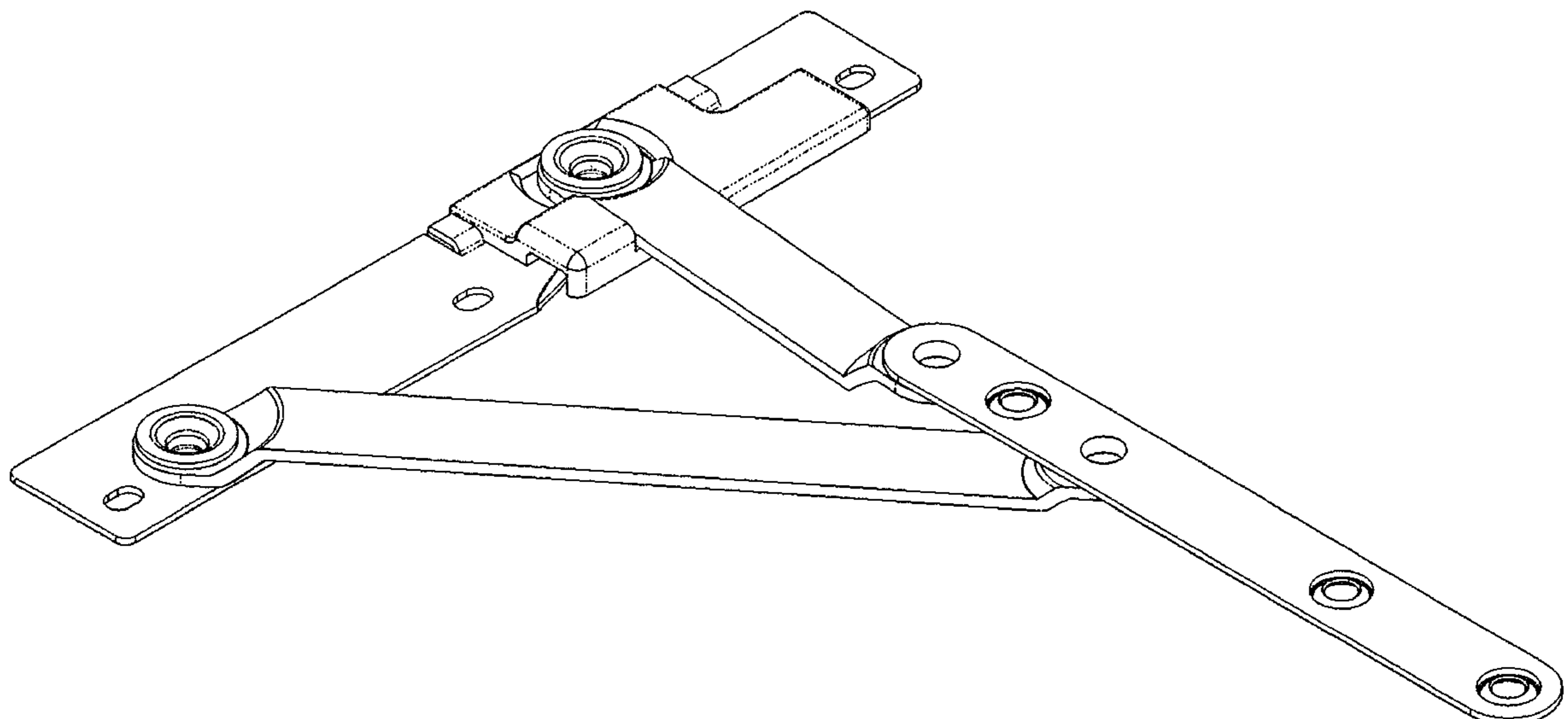
FIG. 15 is a plan view showing the window stay of FIG. 13;

FIG. 16 is a plan view of the window stay as shown in the closed position in FIG. 14;

FIG. 17 is a front elevation view of the window stay of FIG. 14 in its closed position; and,

FIG. 18 is a rear elevation view of the window stay of FIG. 14 in its closed position.

1 Claim, 18 Drawing Sheets



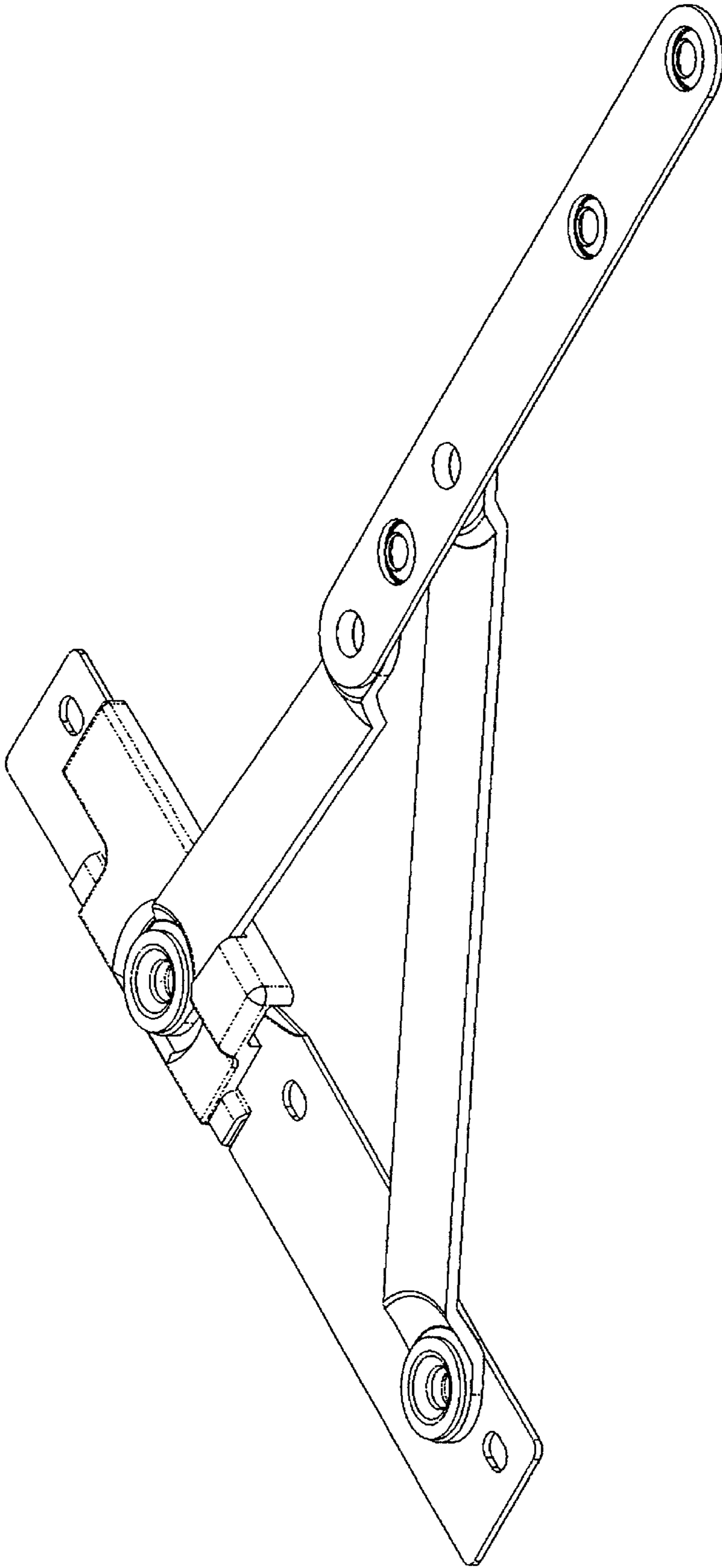


Fig. 1

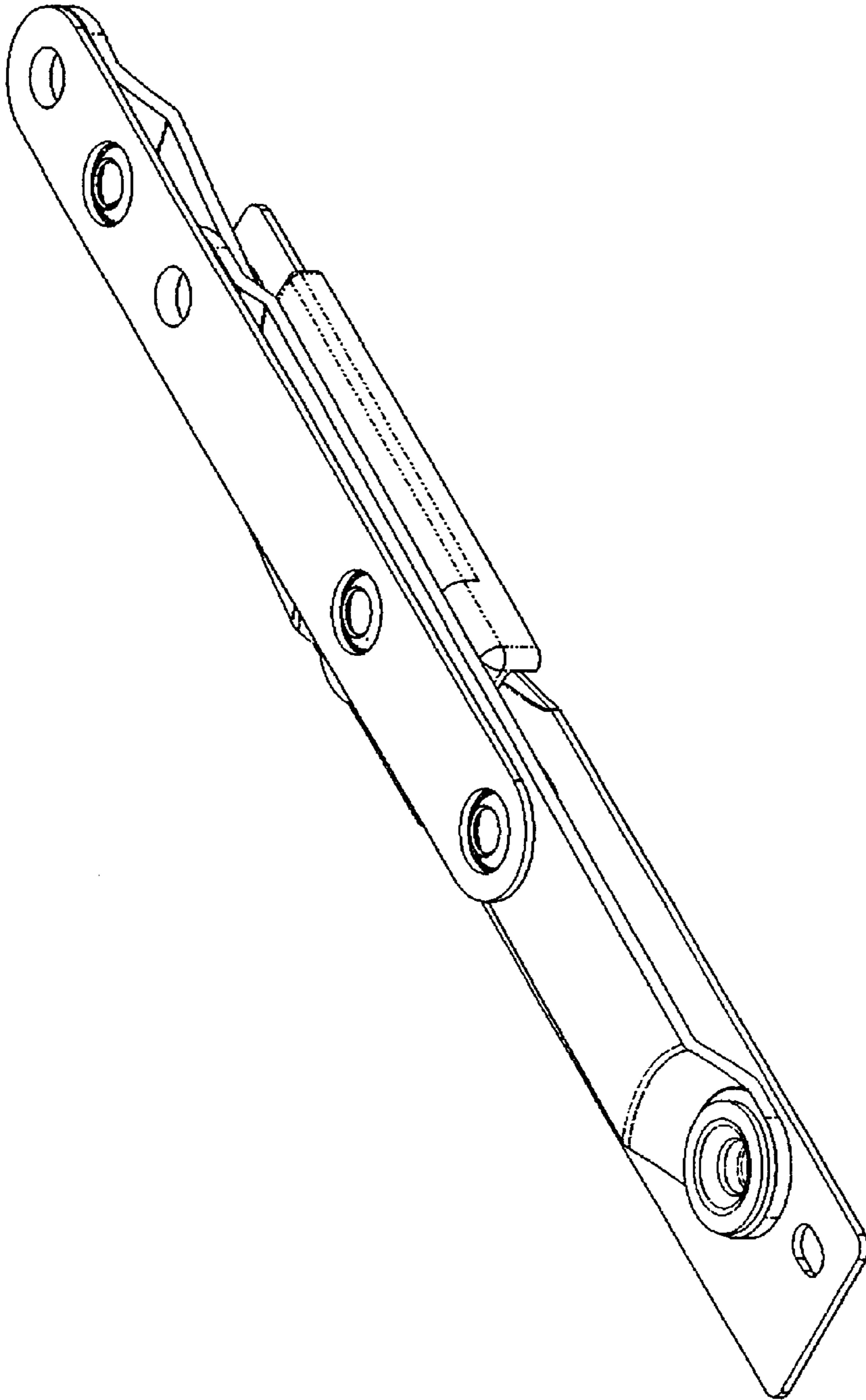


Fig. 2

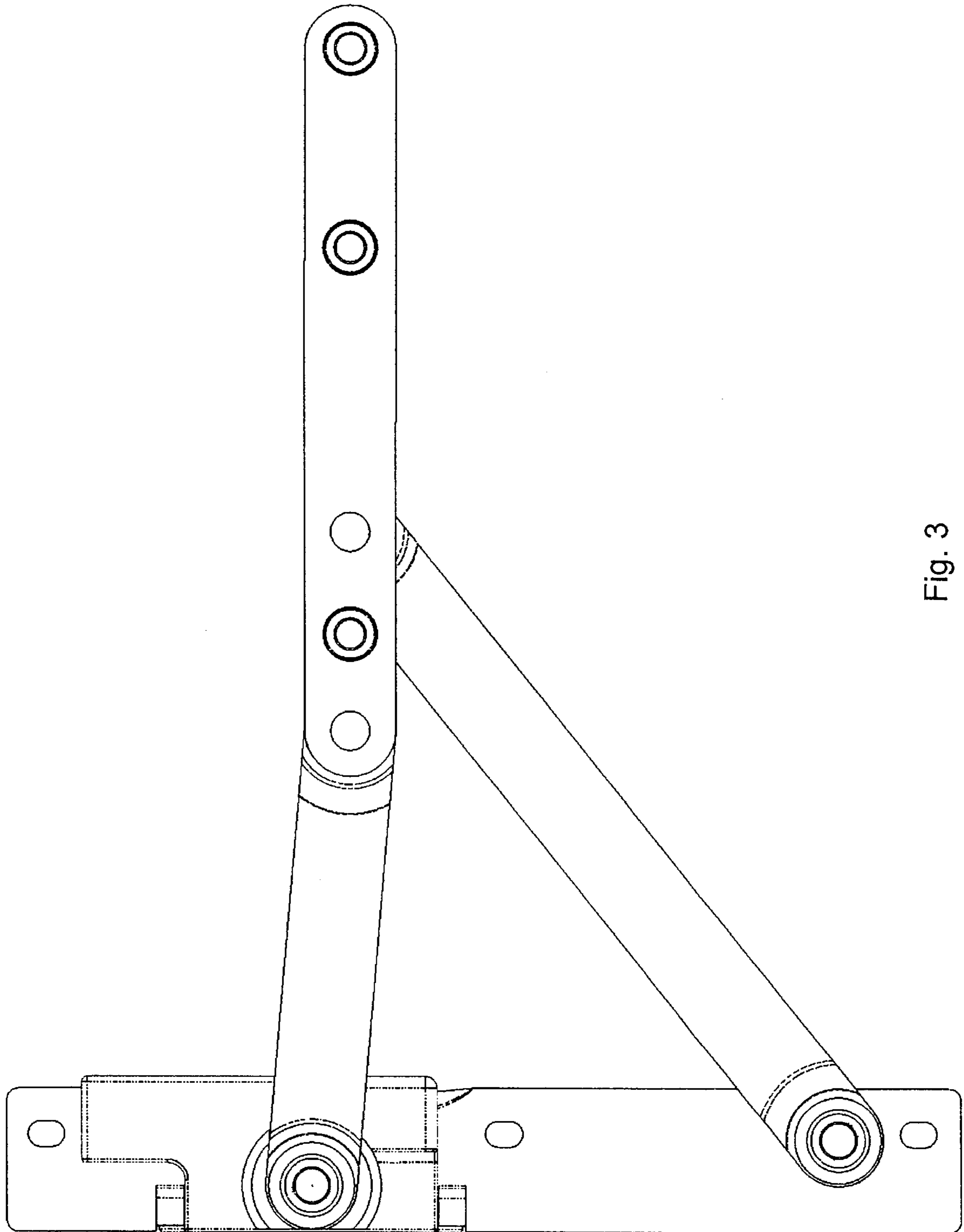


Fig. 3

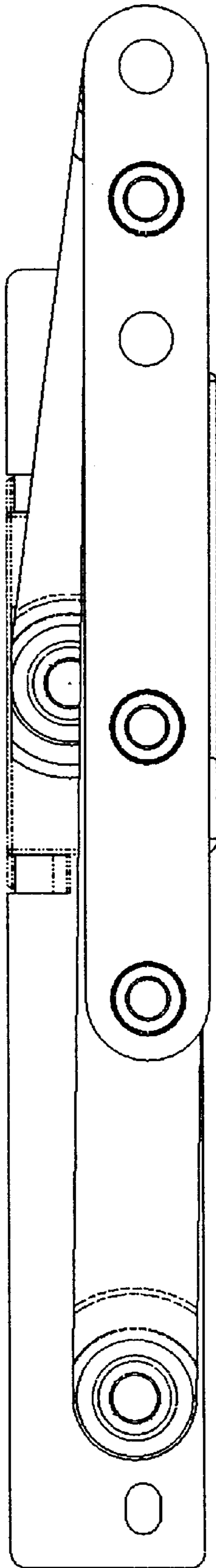


Fig. 4

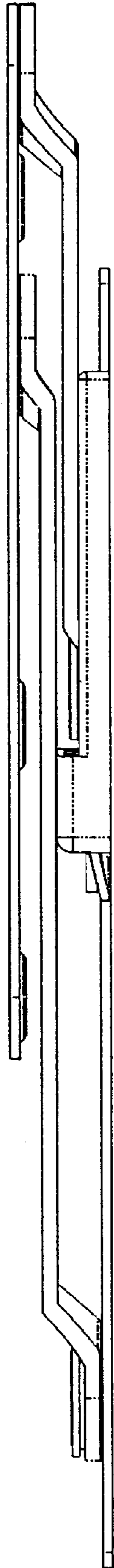


Fig. 5

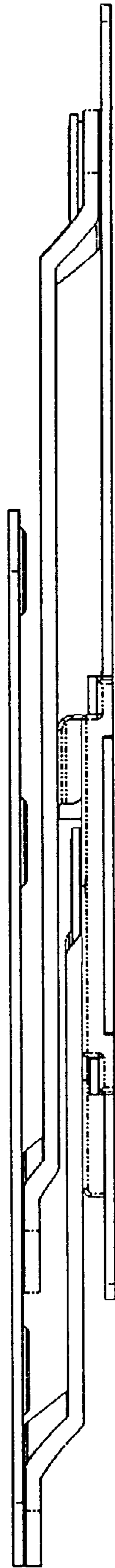


Fig. 6

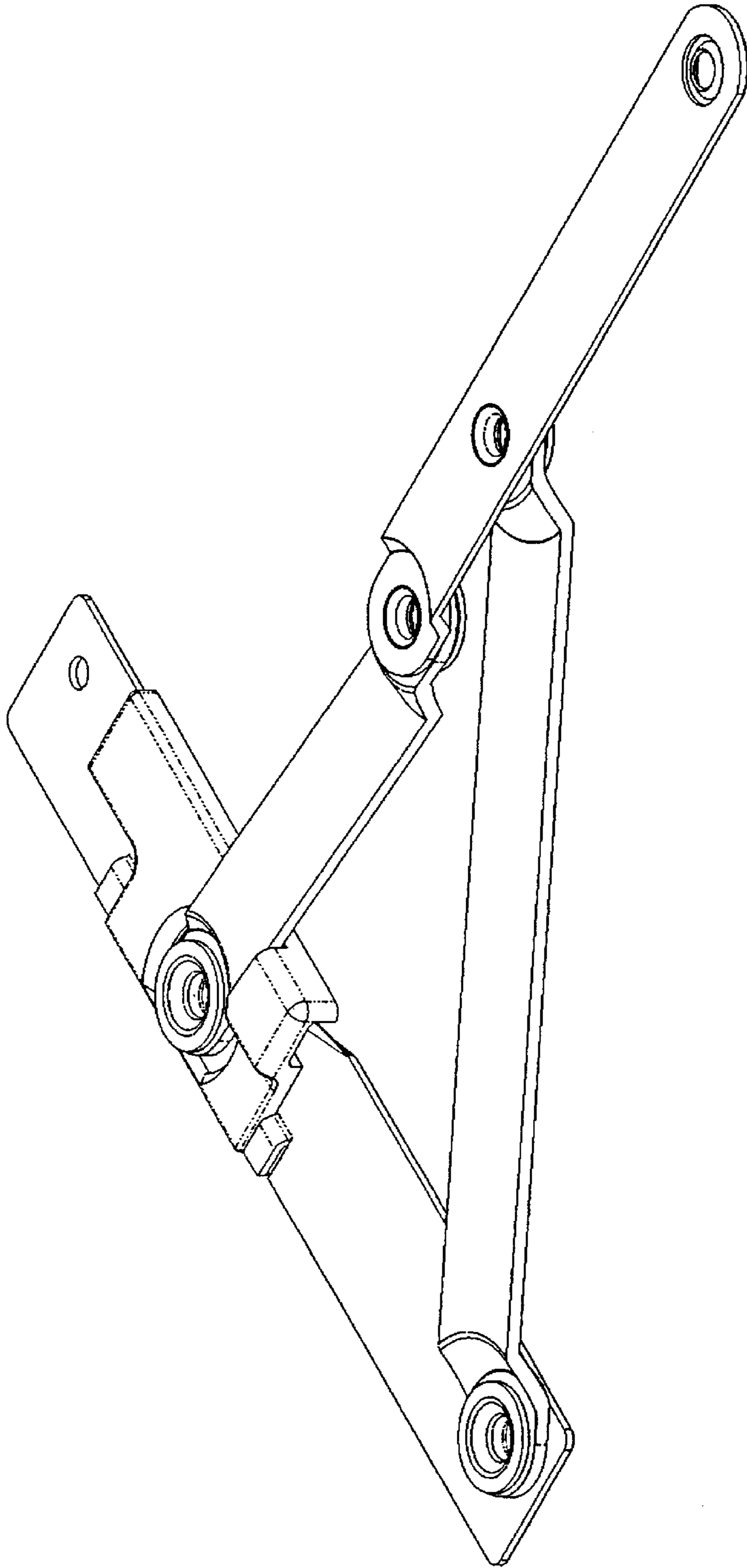


Fig. 7

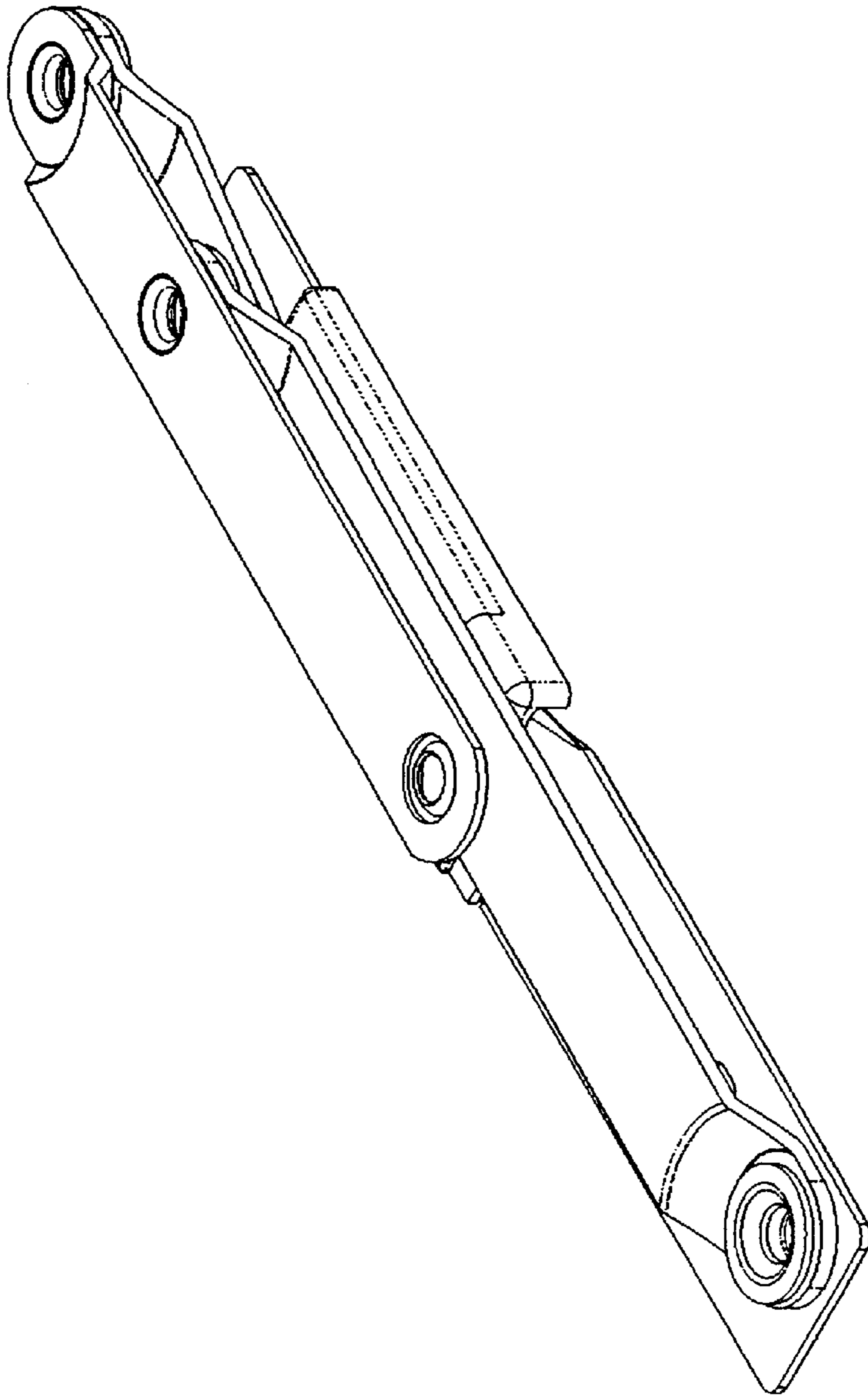


Fig. 8

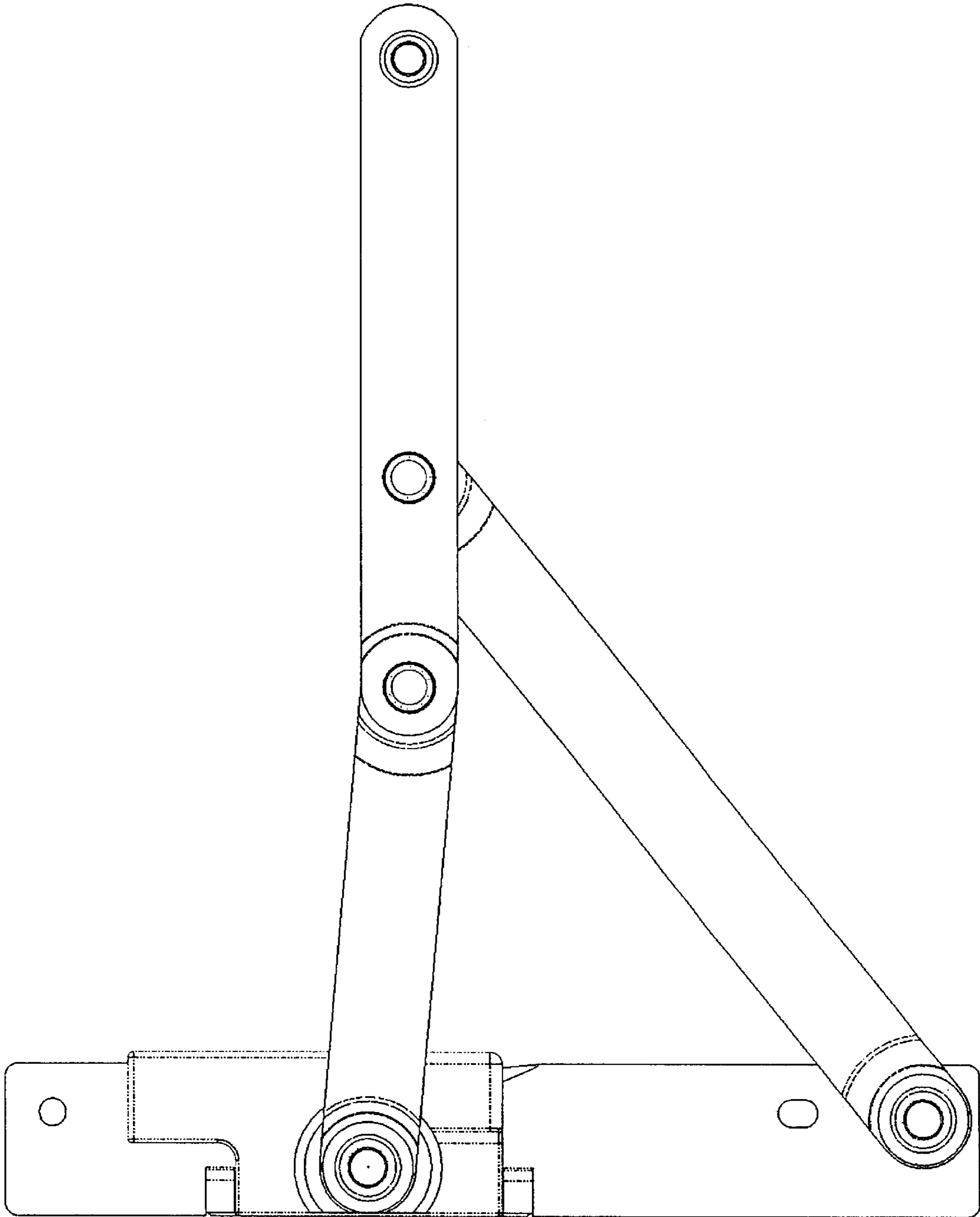


Fig. 9

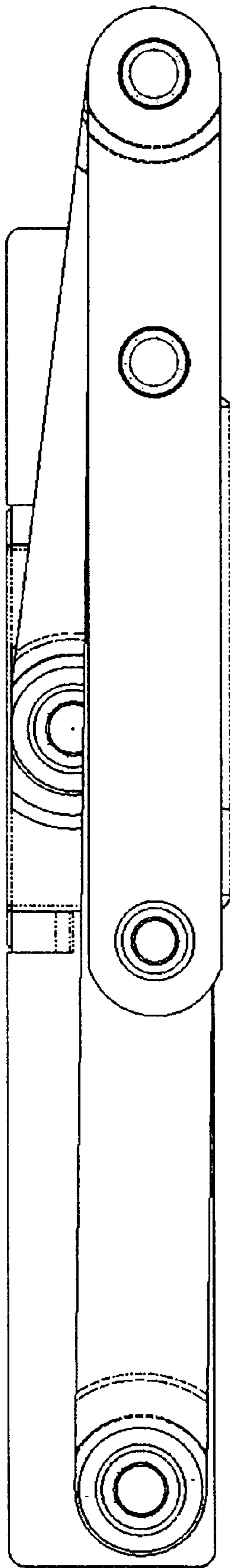


Fig. 10

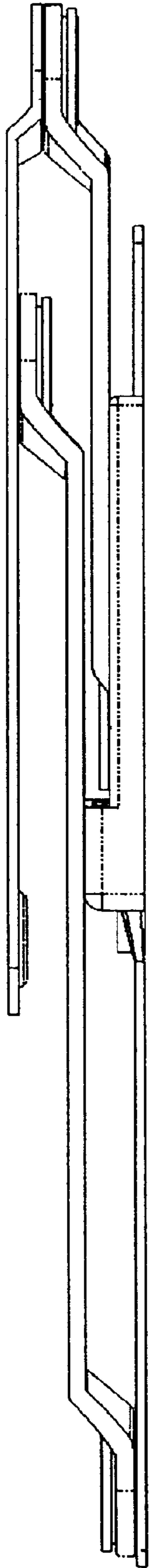


Fig. 11

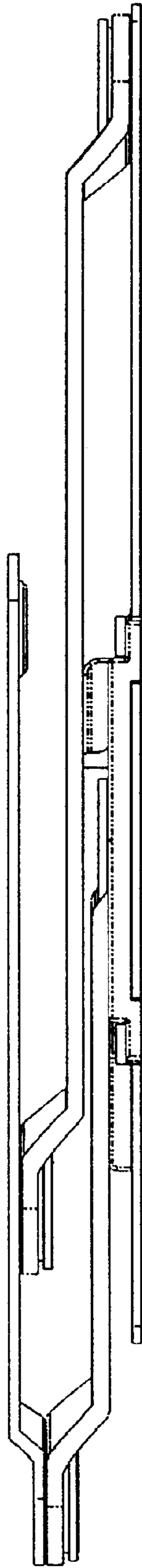


Fig. 12

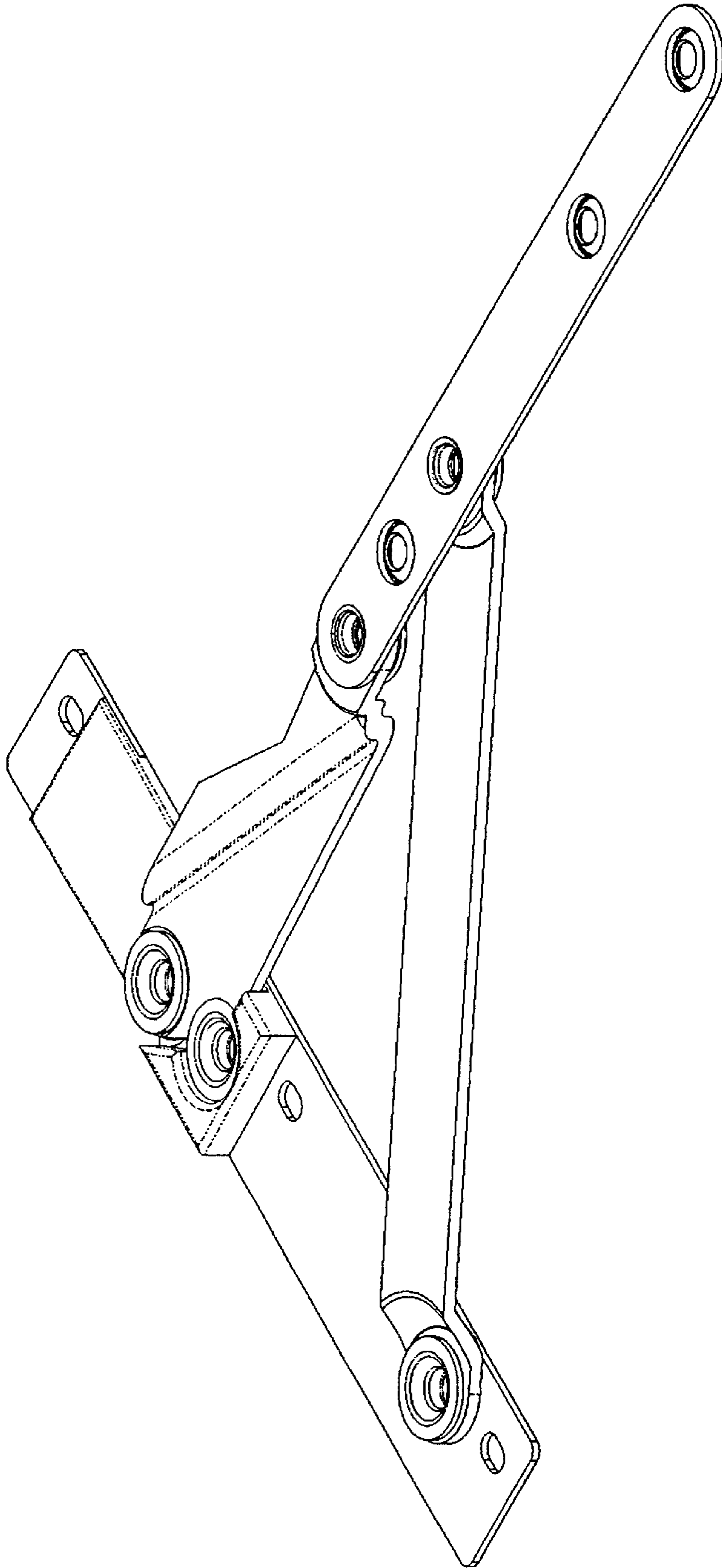


Fig. 13

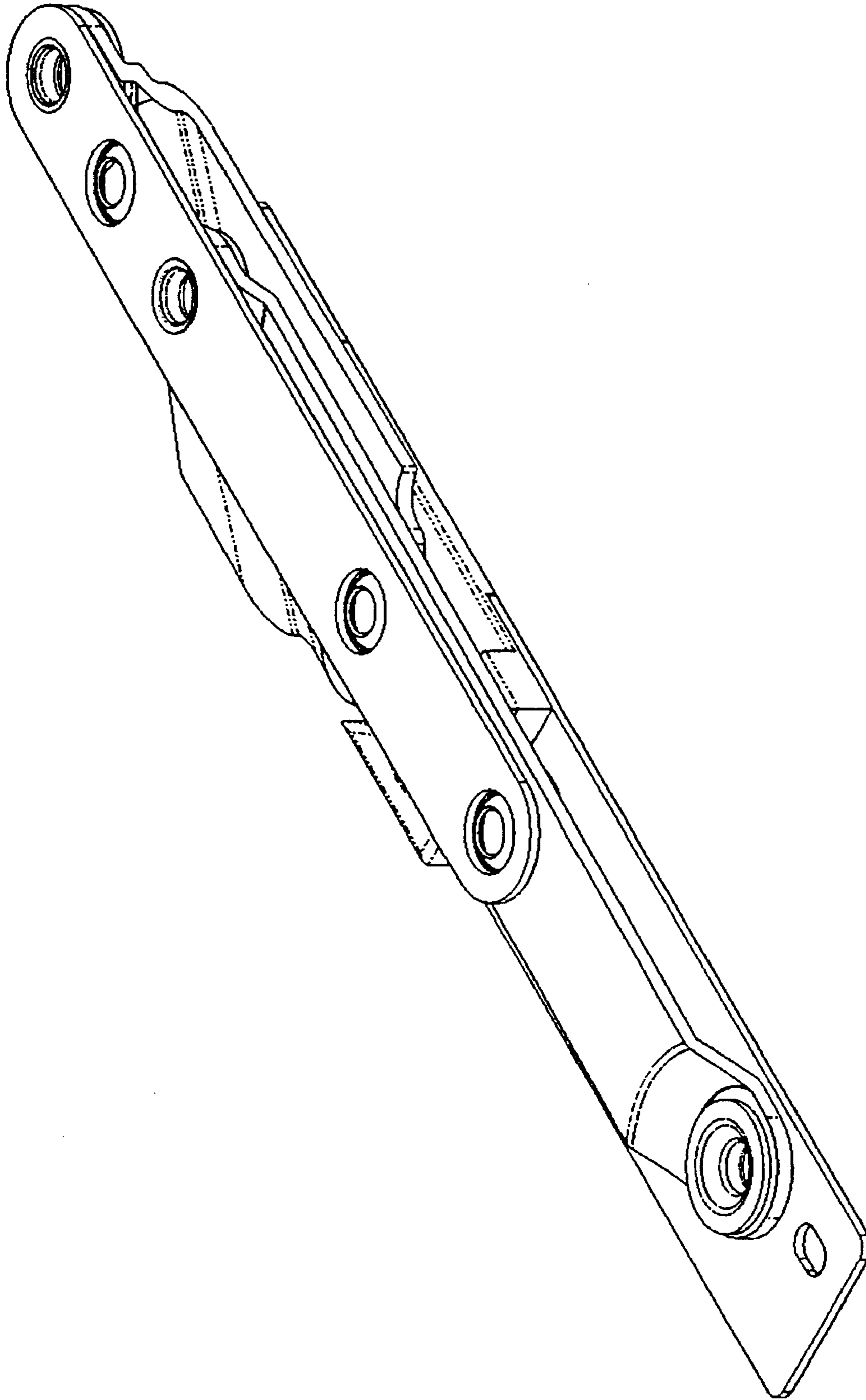


Fig. 14

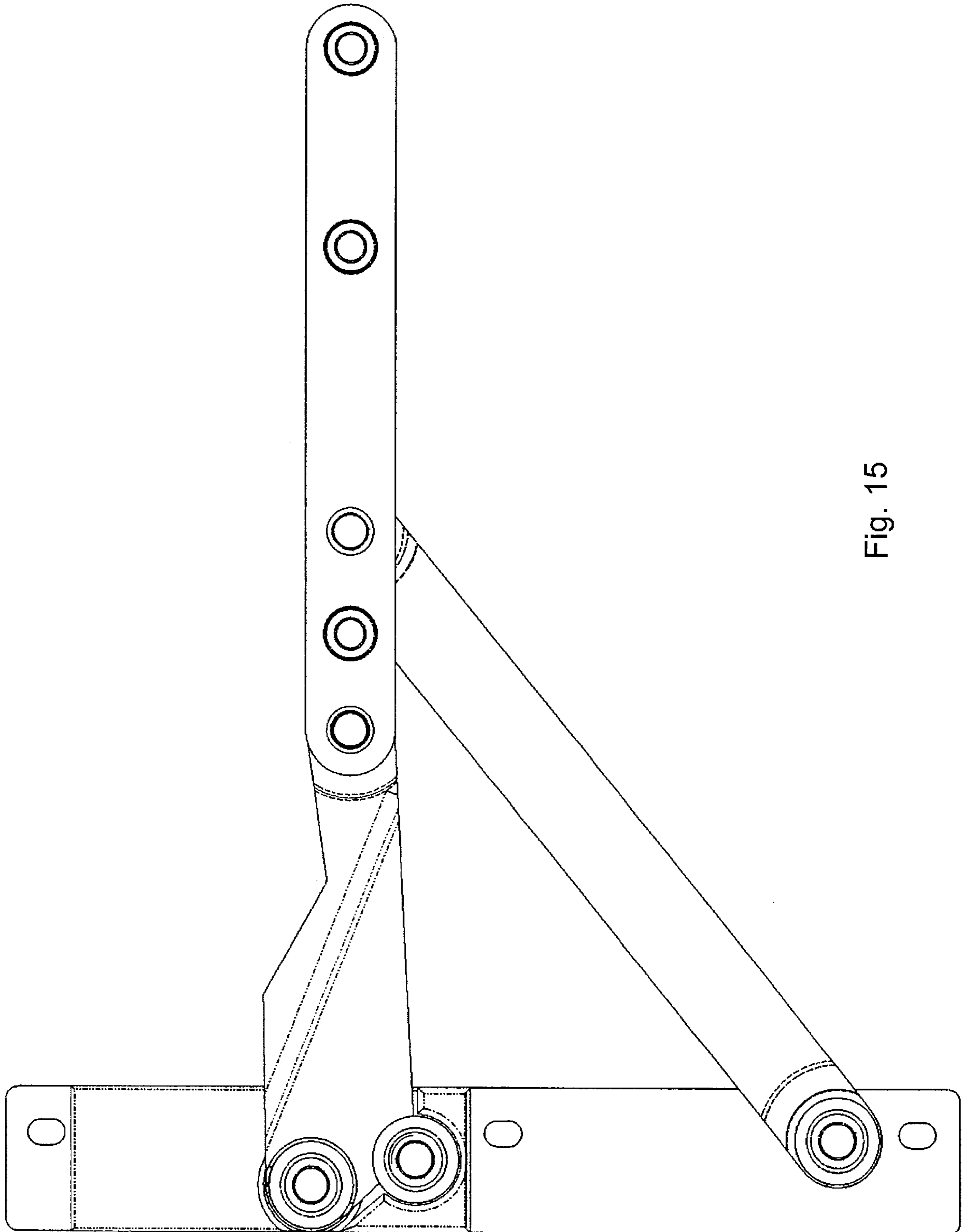


Fig. 15

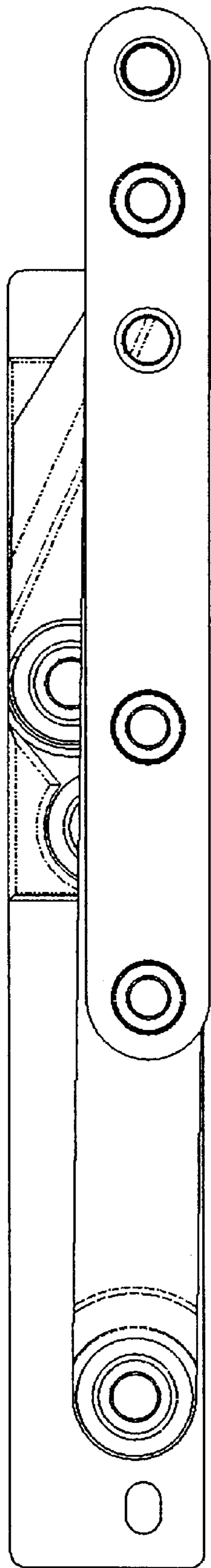


Fig. 16

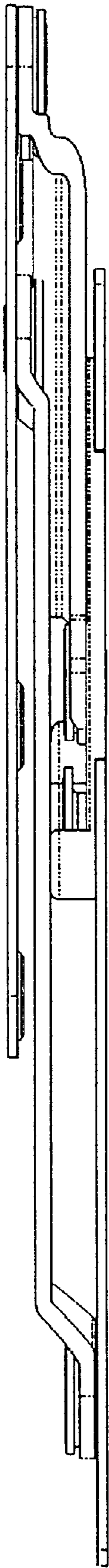


Fig. 17

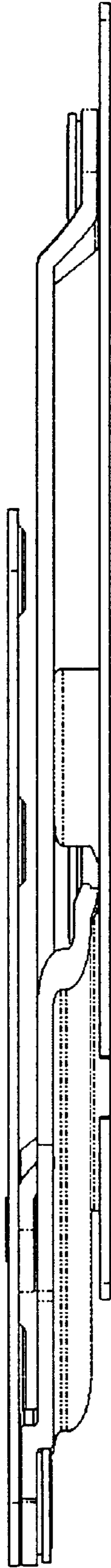


Fig. 18