



US00D459207S

(12) **United States Design Patent**  
**Miyata**

(10) **Patent No.:** **US D459,207 S**

(45) **Date of Patent:** **\*\* Jun. 25, 2002**

(54) **NUT**

(75) **Inventor:** **Chuji Miyata, Kanagawa-ken (JP)**

(73) **Assignee:** **Yoshiko Miyata, Kanagawa-ken (JP); a part interest**

(\*\*) **Term:** **14 Years**

(21) **Appl. No.:** **29/107,860**

(22) **Filed:** **Jul. 16, 1999**

(30) **Foreign Application Priority Data**

Mar. 1, 1999 (JP) ..... 11-5059

(51) **LOC (7) Cl.** ..... **08-08**

(52) **U.S. Cl.** ..... **D8/397**

(58) **Field of Search** ..... D8/397; 411/427, 411/429, 432, 418

(56) **References Cited**

**PUBLICATIONS**

Machine Design—The Fasteners Book; p. 125; Kaylock Locknuts—nut on right.\*

Sweet's Fastening File; Sec. Fas/Mac; p. 6; M-F Large Flange Nut, 1969.\*

\* cited by examiner

*Primary Examiner*—Ted Shooman

(74) *Attorney, Agent, or Firm*—Sughrue Mion, PLLC

(57) **CLAIM**

The ornamental design for a nut, as shown and described.

**DESCRIPTION**

FIG. 1 is a top plan view of a nut showing my new design; FIG. 2 is a front elevation view thereof, a rear elevation view is identical with the front elevation view;

FIG. 3 is a bottom view thereof;

FIG. 4 is a right side elevation view thereof, a left side elevation view is identical with the right side elevation view; and,

FIG. 5 is a cross-sectional view thereof taken along line 5—5 in FIG. 1.

**1 Claim, 2 Drawing Sheets**

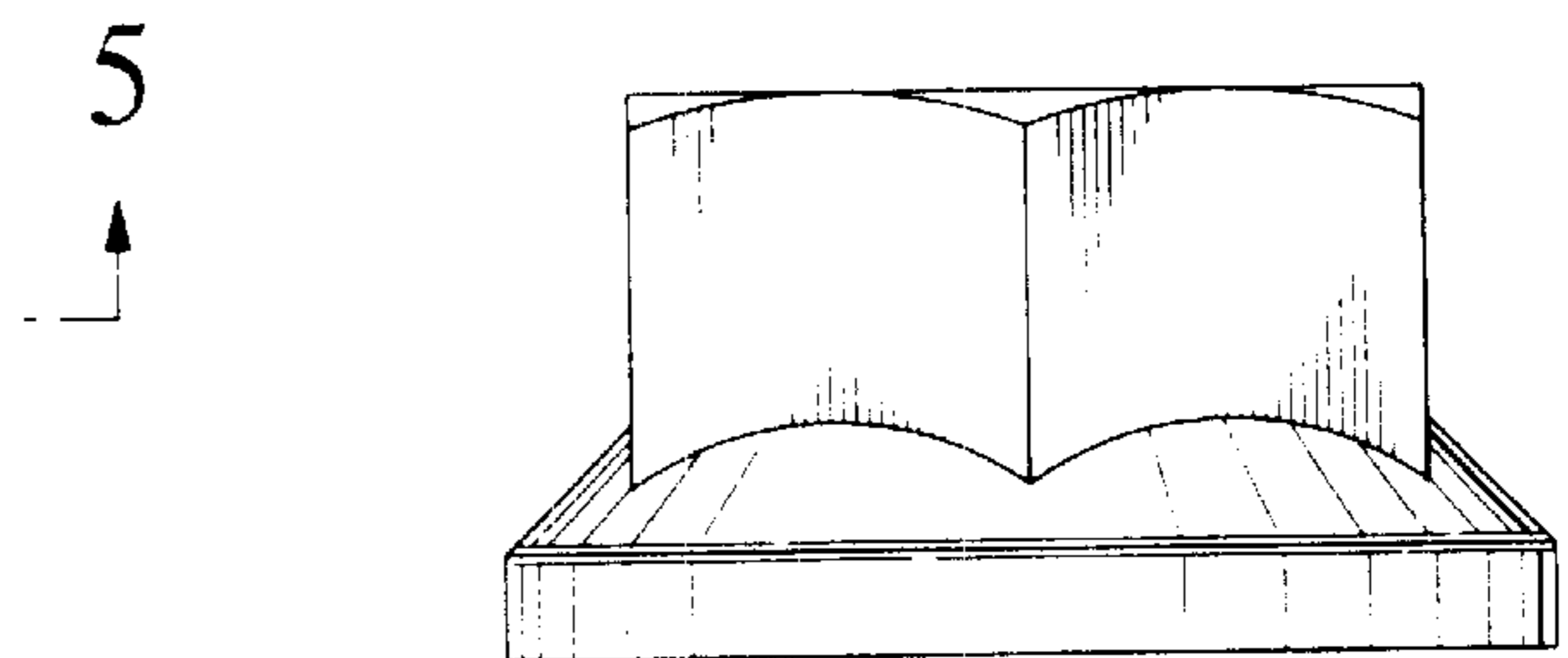
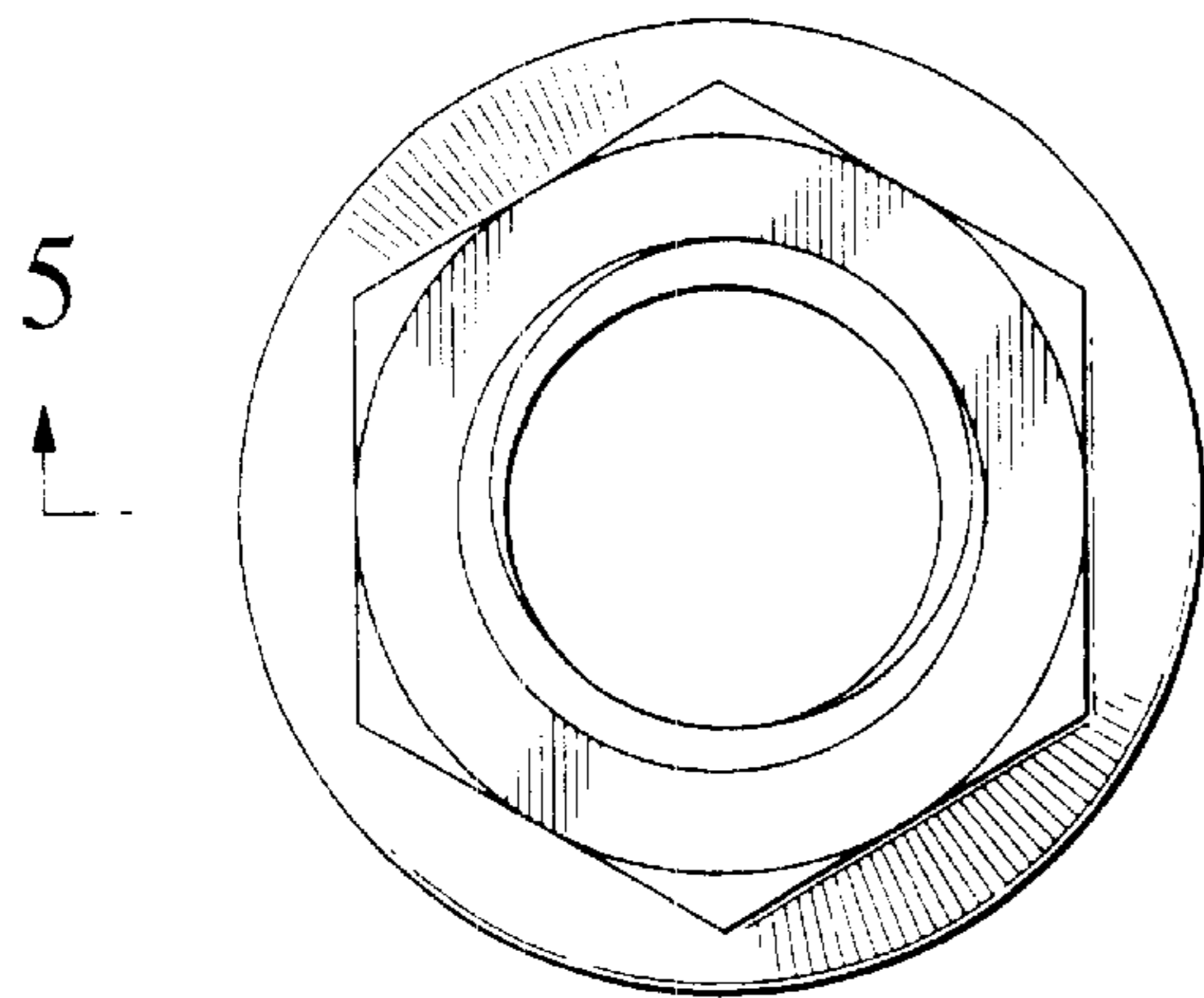


FIG. 1

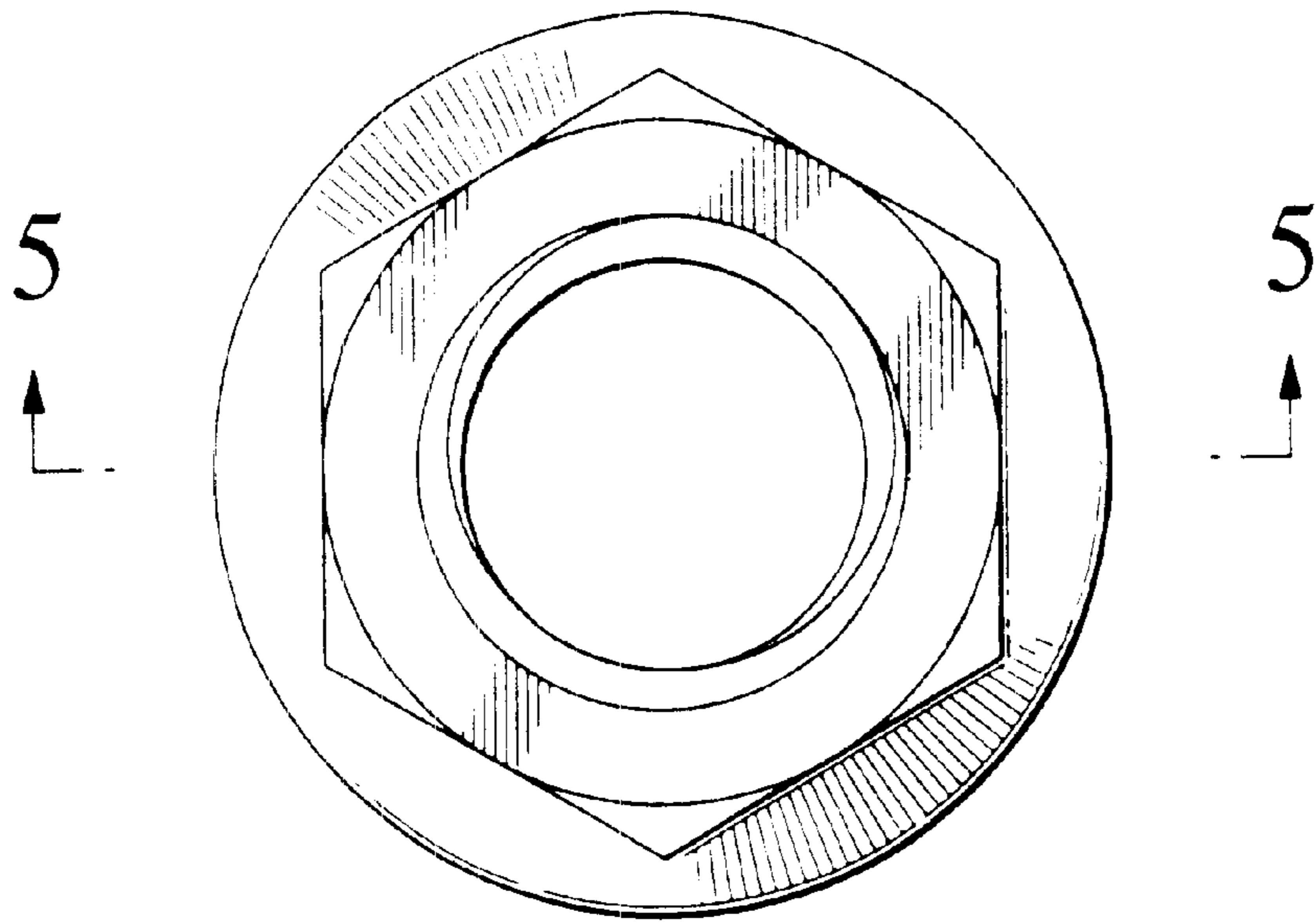


FIG. 2

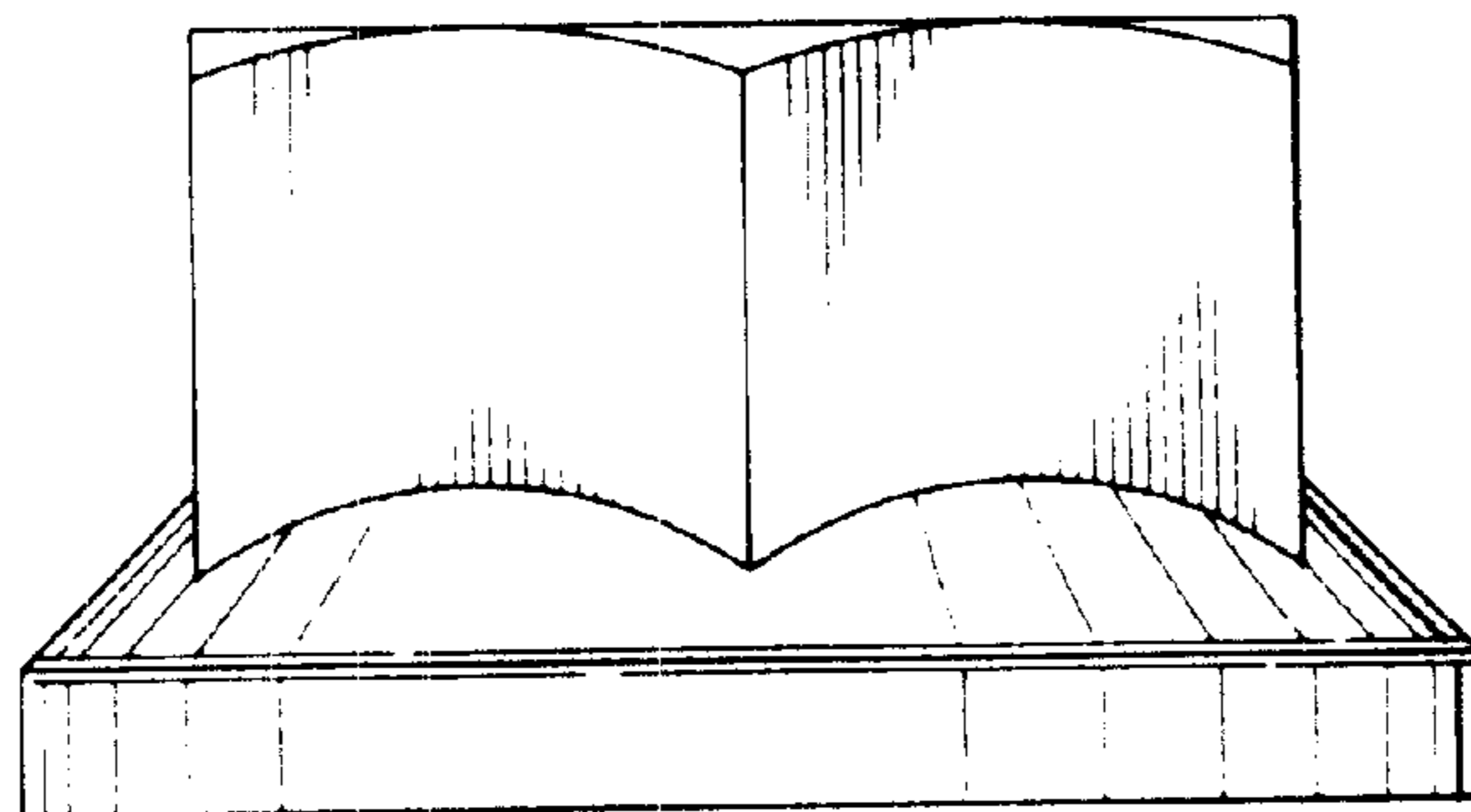


FIG. 3

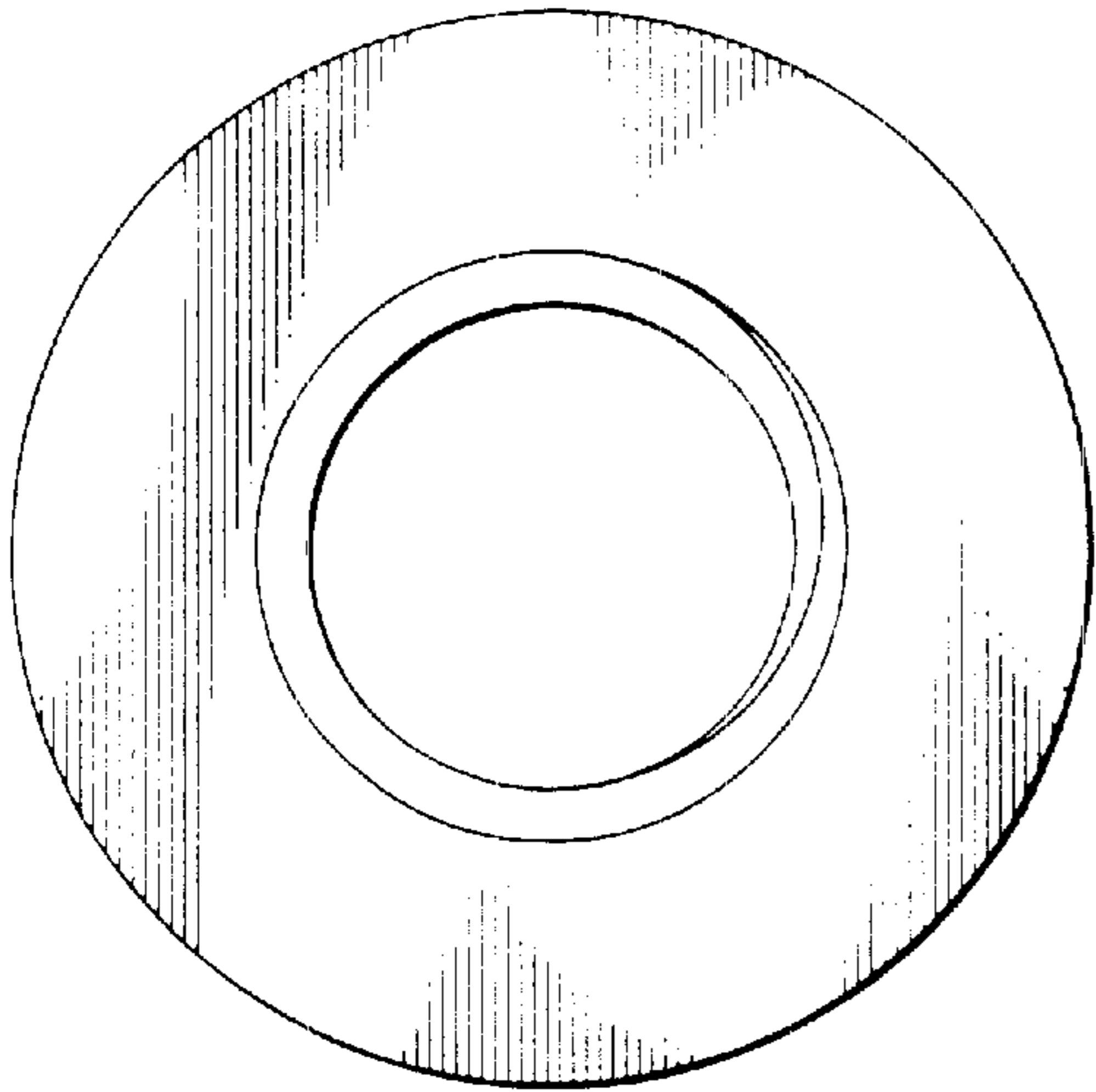


FIG. 4

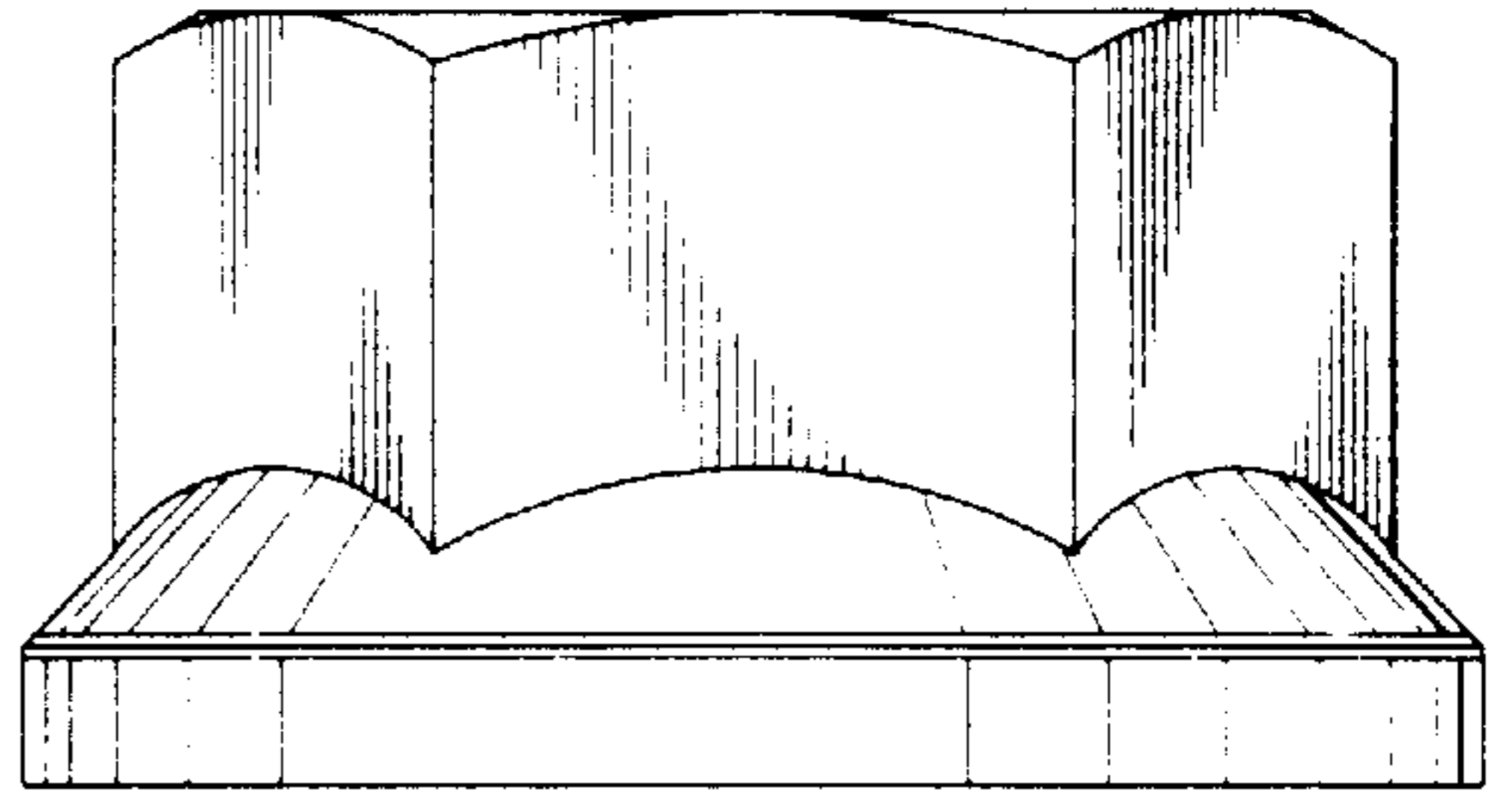


FIG. 5

