



US00D459206S

(12) **United States Design Patent**  
**Caveney et al.**

(10) **Patent No.:** **US D459,206 S**

(45) **Date of Patent:** **\*\* Jun. 25, 2002**

(54) **CABLE TIE**

(75) Inventors: **Jack E. Caveney**, Hinsdale; **James Brownlee**, Park Forest; **Jason O'Young**, Mokena, all of IL (US)

(73) Assignee: **Panduit Corp.**, Tinley Park, IL (US)

(\*\*) Term: **14 Years**

(21) Appl. No.: **29/123,263**

(22) Filed: **May 15, 2000**

(51) **LOC (7) Cl.** ..... **08-08**

(52) **U.S. Cl.** ..... **D8/396**

(58) **Field of Search** ..... D8/396, 394; 24/16 PB, 24/30.5 P, 30.5 S, 197, 300, 455, 459, 461, 462, 464, 483, 484, 488, 706.2, 710.3; 248/58, 60

(56) **References Cited**

**U.S. PATENT DOCUMENTS**

3,486,200	A	12/1969	Orenick	
3,605,199	A *	9/1971	Eberhardt	24/16 PB
4,183,119	A *	1/1980	Stewart et al.	24/16 PB
4,236,280	A *	12/1980	Kreiseder	24/16 PB
4,287,644	A	9/1981	Durand	
D273,361	S *	4/1984	Suzuki	D8/394
4,462,141	A	7/1984	Bogese	
4,473,524	A *	9/1984	Paradis	264/291
4,730,615	A *	3/1988	Sutherland et al.	128/335
4,968,075	A	11/1990	Lesquir et al.	
5,031,943	A *	7/1991	Scott et al.	292/307 R
5,193,254	A *	3/1993	Geisinger	24/484

5,317,787	A *	6/1994	Fortsch	24/16 PB
5,414,904	A *	5/1995	Sampson	24/16 PB
D372,665	S	8/1996	Kim	
5,687,455	A	11/1997	Alexander	
D389,051	S *	1/1998	Caveney et al.	D8/396
5,745,957	A	5/1998	Khokhar et al.	
5,774,944	A	7/1998	Choi	
6,149,109	A *	11/2000	Stankowski	248/74.3

\* cited by examiner

*Primary Examiner*—Ted Shooman

*Assistant Examiner*—Daniel Bui

(74) *Attorney, Agent, or Firm*—Robert A. McCann

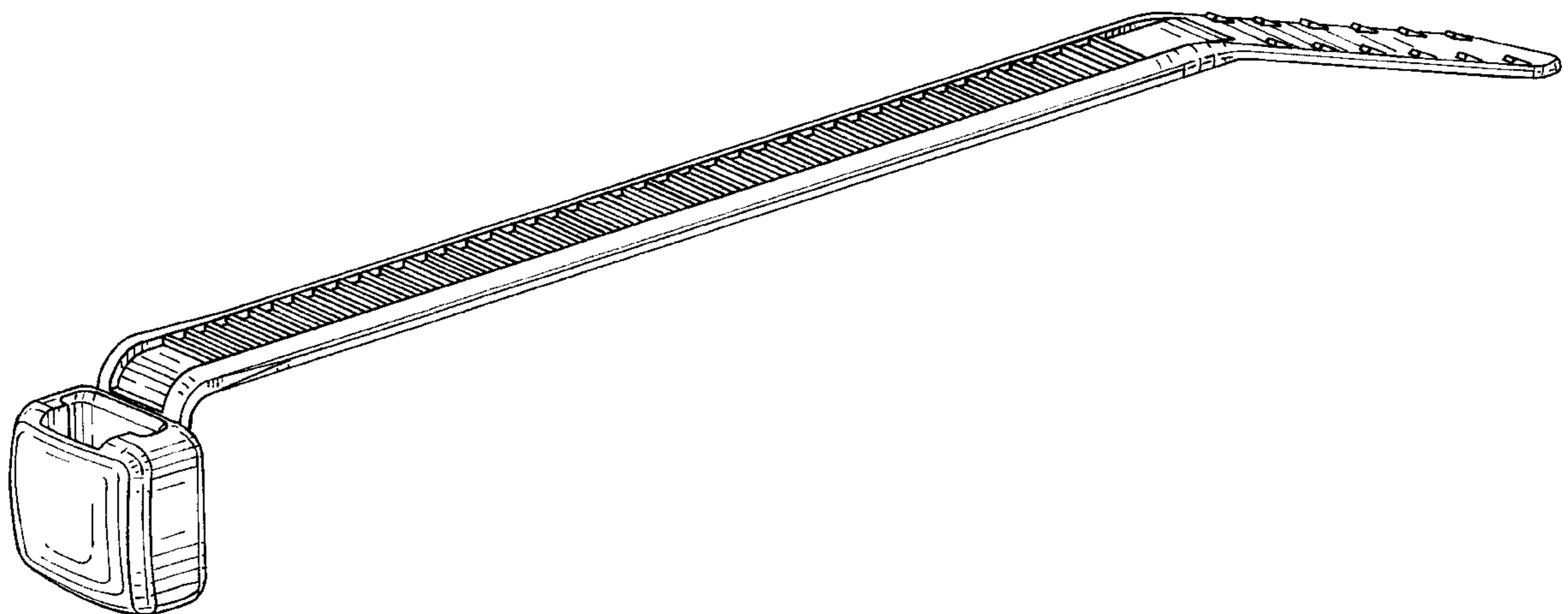
(57) **CLAIM**

The ornamental design for a cable tie, as shown and described.

**DESCRIPTION**

FIG. 1 is a top left perspective view of cable tie; FIG. 2 is a bottom left perspective view of a cable tie; FIG. 3 is a top view of the cable tie of FIG. 1; FIG. 4 is a left side view of the cable tie of FIG. 1; FIG. 5 is a bottom view of the cable tie of FIG. 1; FIG. 6 is a right side view of the cable tie of FIG. 1; FIG. 7 is a front view of the cable tie of FIG. 1; FIG. 8 is a rear view of the cable tie of FIG. 1; and, FIG. 9 is a perspective view of the cable tie of FIG. 1 shown surrounding a bundle of wires which are shown in broken lines for illustrative purposes only and from no part of the claimed design.

**1 Claim, 4 Drawing Sheets**



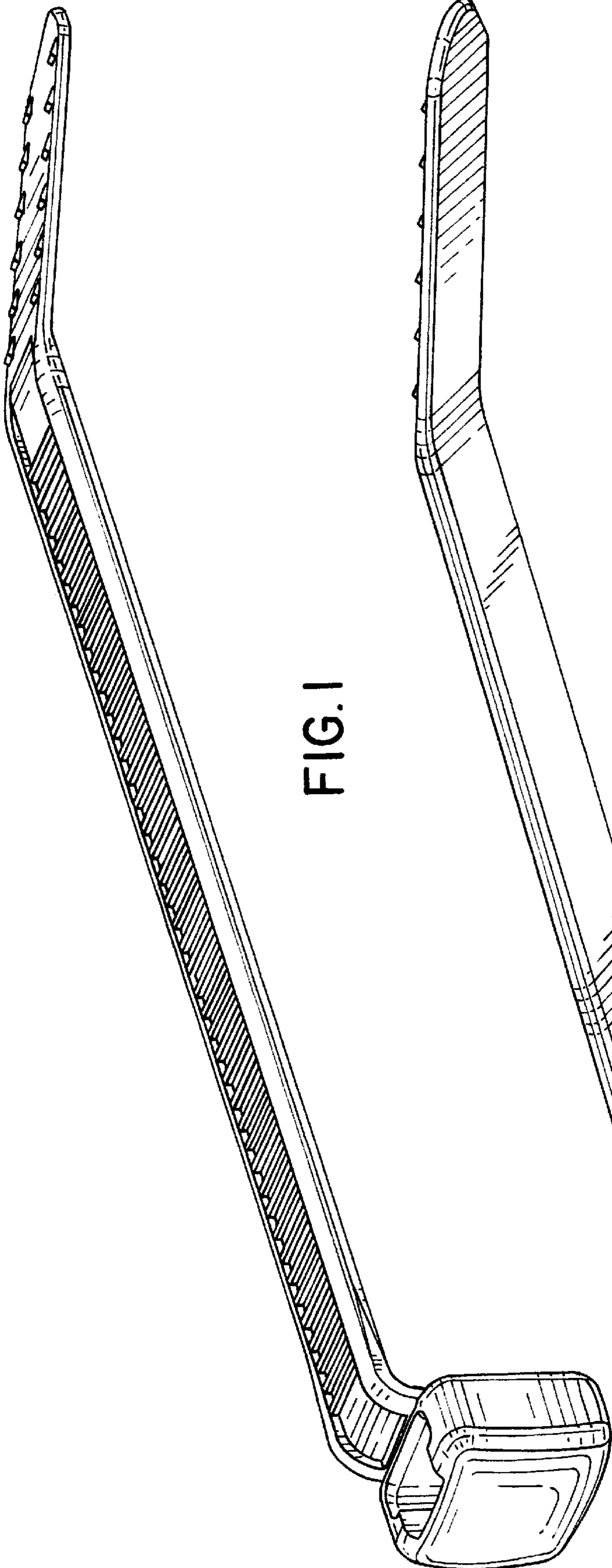


FIG. 1

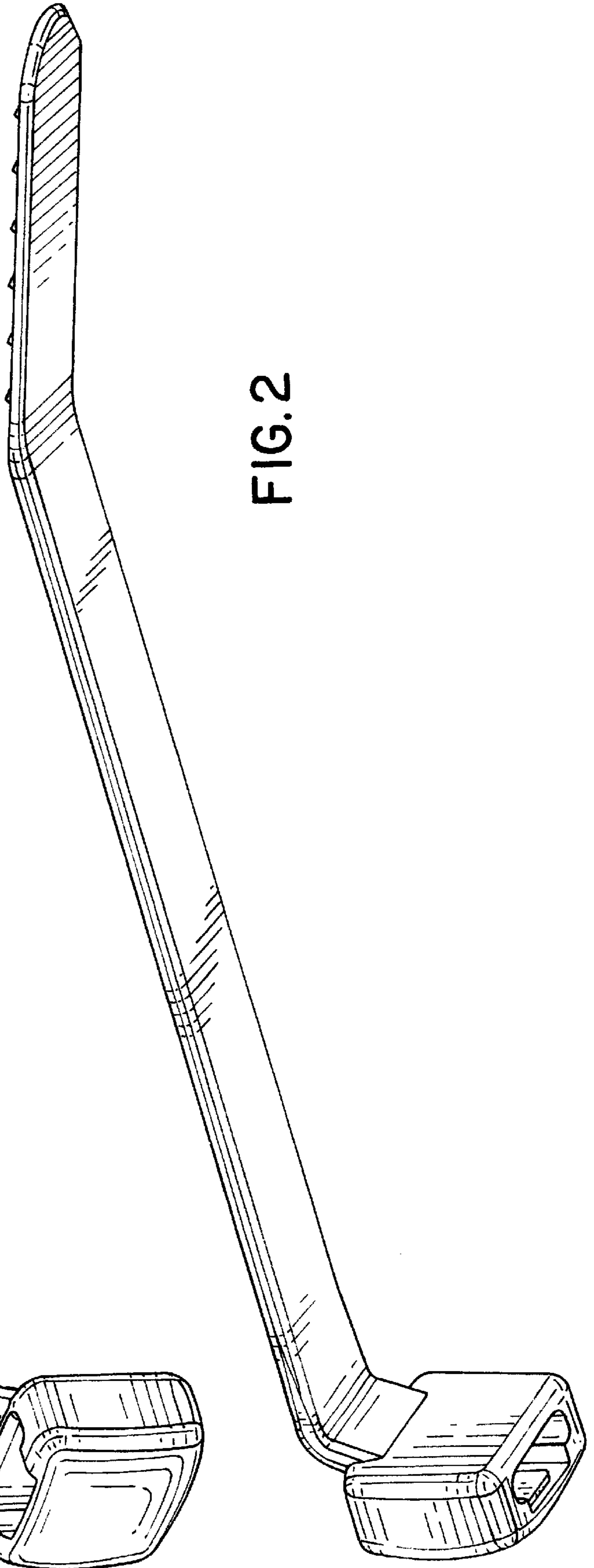


FIG. 2

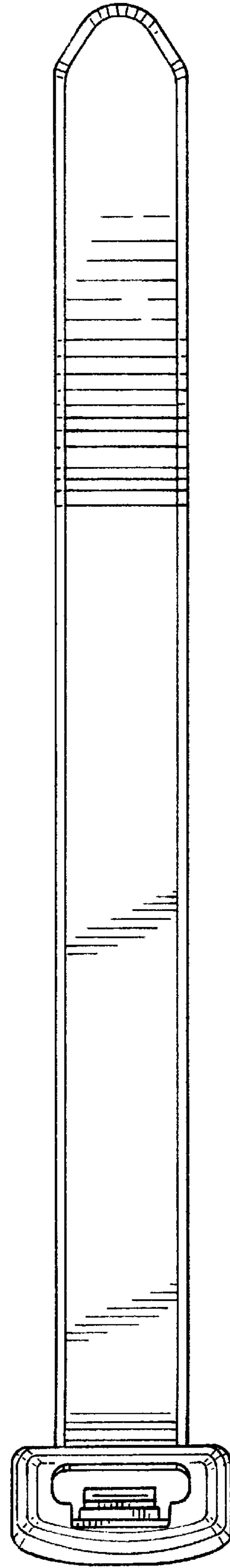
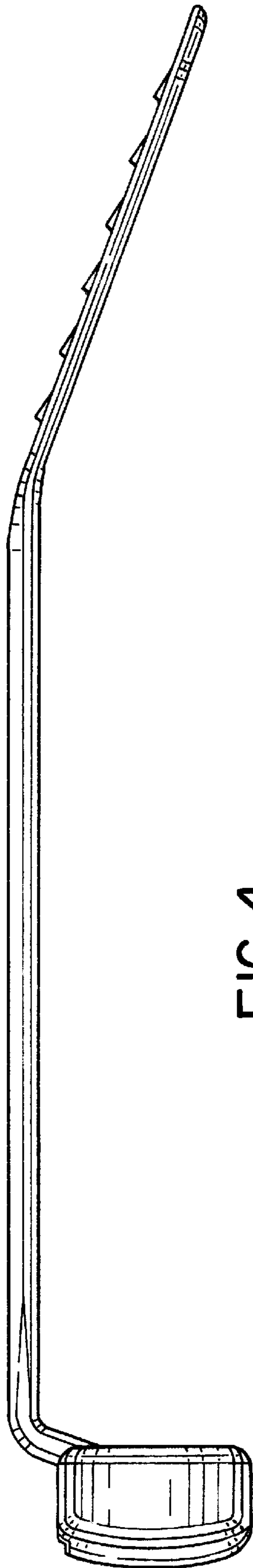
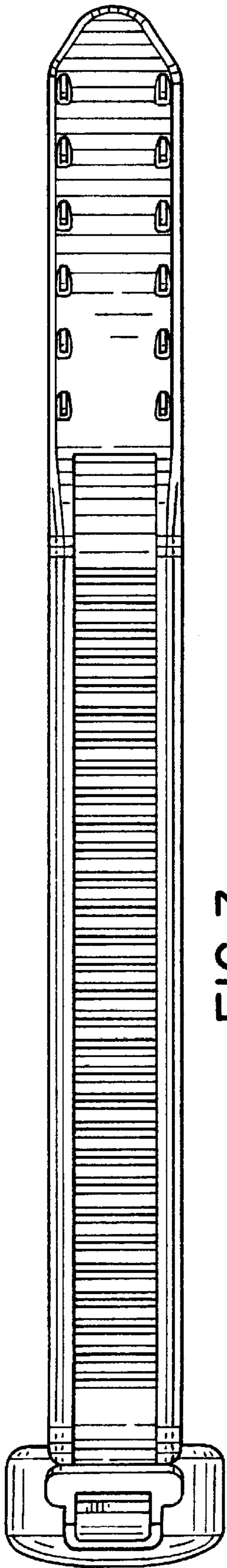




FIG. 6

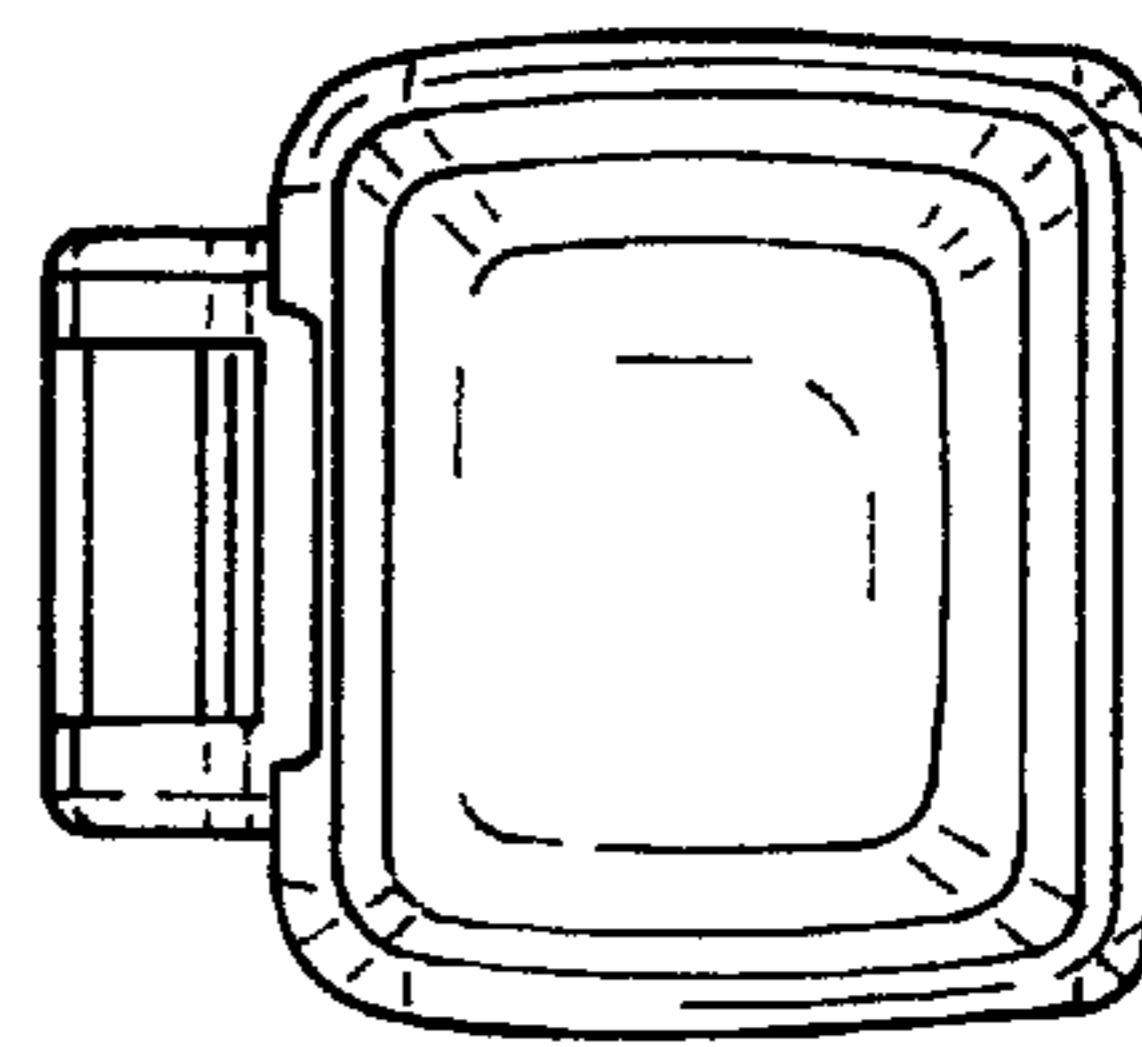


FIG. 7

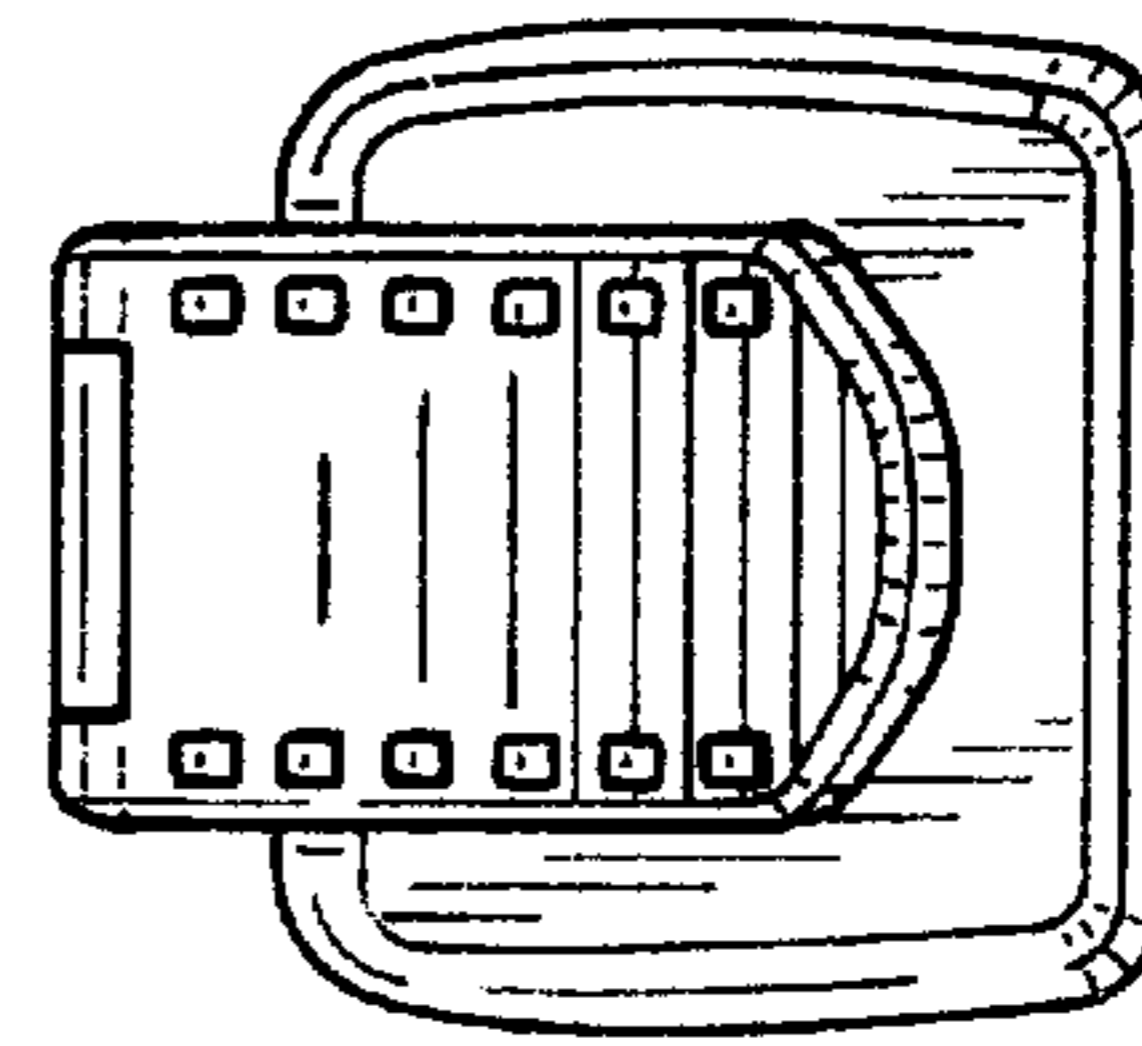


FIG. 8

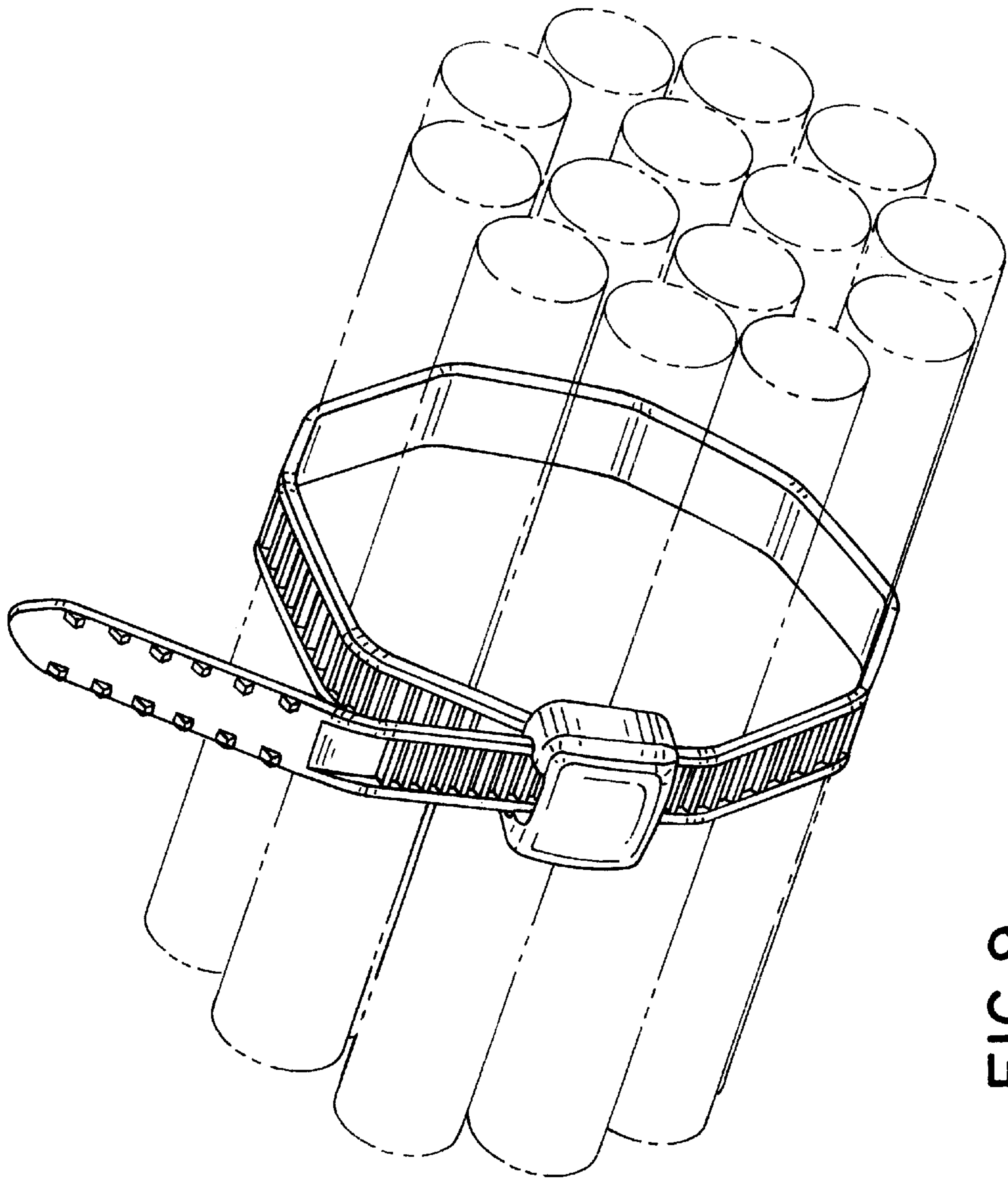


FIG. 9