



US00D459205S

(12) **United States Design Patent**
Shaw et al.

(10) **Patent No.:** **US D459,205 S**
(45) **Date of Patent:** **** Jun. 25, 2002**

(54) **CONCRETE DOWEL TUBE WITH CLIP**

DK 79813 8/1955
FR 1094449 11/1953

(76) Inventors: **Lee A. Shaw**, 2672 Crestview Dr.,
Newport Beach, CA (US) 92663;
Ronald D. Shaw, 1401 Outrigger Dr.,
Corona del Mar, CA (US) 92625

(**) Term: **14 Years**

(21) Appl. No.: **29/134,496**

(22) Filed: **Dec. 21, 2000**

Related U.S. Application Data

(63) Continuation of application No. 29/100,151, filed on Feb. 5,
1999.

(51) **LOC (7) Cl.** **08-08**

(52) **U.S. Cl.** **D8/382**

(58) **Field of Search** D8/382, 393-396;
D21/487; D23/266; D25/61, 122; D34/27;
52/81.2, 664, 653.2, 730.5, 731.3; 138/157;
403/174, 191, 245, 272; 404/72

(56) **References Cited**

U.S. PATENT DOCUMENTS

1,045,562 A	11/1912	Kennedy	
1,592,681 A	7/1926	Grothe	
1,728,936 A	9/1929	Johnson	
1,838,635 A	12/1931	Pilj	
1,852,673 A	4/1932	Pilj	
1,939,007 A	12/1933	Heltzel	25/118
2,095,060 A	10/1937	Geyer	94/18
2,129,568 A	9/1938	De Biasi	72/122
2,262,704 A	11/1941	Tompkins et al.	72/128
2,275,272 A	3/1942	Scripture, Jr.	25/154
2,277,203 A	3/1942	Boult	94/24
2,296,453 A	9/1942	Saffert	25/155
2,319,526 A	5/1943	Wearn	72/128
2,331,949 A	10/1943	Whiteman	72/128

(List continued on next page.)

FOREIGN PATENT DOCUMENTS

CH 568457 10/1975

OTHER PUBLICATIONS

Ardex; *Self-Leveling Toppings and Underlayments*; 4 pages.
Schwing America Inc.; *Multi-purpose Versatility for Pumping Hardrock Concrete, Grout and Shotcreting*; 4 pages.
Mayco Pump Corp.; *ST-60 The ST Series of Mid Range Concrete Pumps*; 4 pages.
Cemen-Tech; *Practical, Precise and Profitable Concrete Production Systems*, 1 page.
L. M. Scofield Company; *Lithotex Top Surface Retarder*; 1 page.
L. M. Scofield Company; *Integral Color in Concrete*; 4 pages.
Portland Cement Assn.; *Color & Texture in Architectural Concrete*; 33 pages.
Portland Cement Assn.; *Finishing Concrete Slabs, Exposed Aggregate, Patterns, and Colors*; 10 pages.
Concrete Tie; *Continuous Dowel Support and Spacer*; 3 pages.
McConnell, D.; *Cement-Aggregate Reaction in Concrete*; 36 pages.
Ziff Communications Co.; *Plant Engineering*; 6 pages.
Sinak Corporation; *Sinak Sealers HLQ-625, HLQ-125, HLQ-250*; 2 pages.

Primary Examiner—Alan P. Douglas
Assistant Examiner—Clare E. Heflin
(74) *Attorney, Agent, or Firm*—Stetina Brunda Garred & Brucker

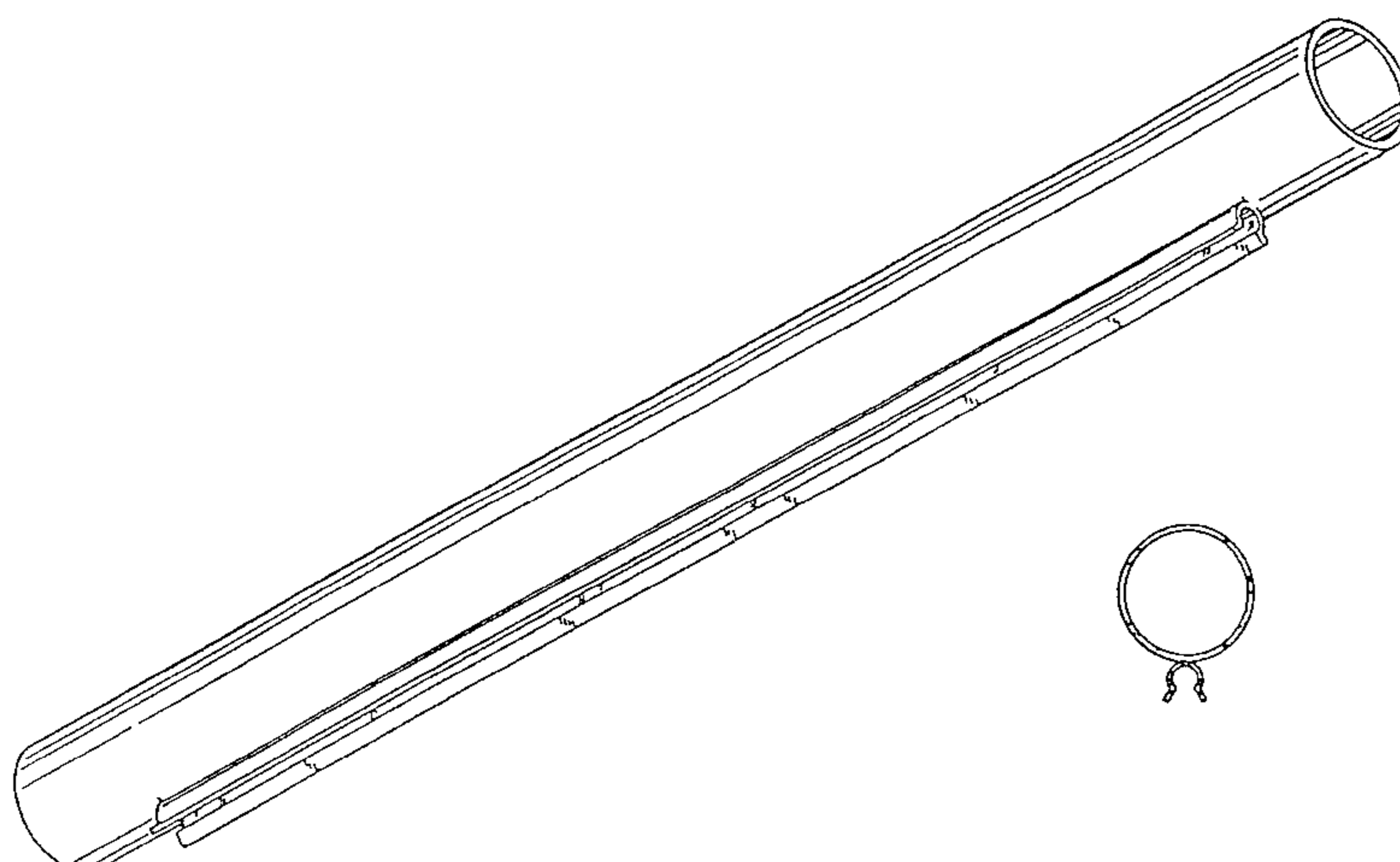
(57) **CLAIM**

The ornamental design for a concrete dowel tube with clip, as shown and described.

DESCRIPTION

FIG. 1 is a front bottom perspective view of the concrete dowel tube with clip of the present invention showing our new design; and,
FIG. 2 is an end view thereof.

1 Claim, 1 Drawing Sheet



US D459,205 S

Page 2

U.S. PATENT DOCUMENTS

2,365,550 A	12/1944	Heltzel	94/18	4,578,916 A	4/1986	Witschi	52/396
2,373,284 A	4/1945	Autrey	72/128	4,614,070 A	9/1986	Idland	52/296
2,508,443 A	5/1950	Carter	94/18	4,648,739 A	3/1987	Thomsen	404/2
2,636,426 A	4/1953	Heltzel	94/51	4,748,788 A	6/1988	Shaw et al.	52/742
2,746,365 A	5/1956	Darnielle	94/33	4,752,153 A	6/1988	Miller	404/59
2,823,539 A	2/1958	Kersh et al.	72/128	4,800,702 A	1/1989	Wheeler	52/677
2,980,215 A *	4/1961	Englund		4,821,988 A *	4/1989	Jimenez	248/227.3
3,066,448 A	12/1962	Pinter	50/80	4,883,385 A	11/1989	Kaler	404/47
3,284,973 A	11/1966	Ames et al.	52/155	4,899,497 A	2/1990	Madl, Jr.	52/126.6
3,318,224 A *	5/1967	Bohanon		4,926,593 A	5/1990	Johnston	52/126.4
3,333,380 A	8/1967	Wolf	52/365	D309,280 S *	7/1990	Balfanz-Lee	D11/215
3,451,179 A	6/1969	Kendzia	52/370	4,938,631 A	7/1990	Maechtle et al.	52/235
3,896,599 A	7/1975	Werstein et al.	52/704	4,959,940 A	10/1990	Witschi	52/583
3,920,221 A	11/1975	Berry et al.	256/59	D314,325 S *	2/1991	Ziaylek, Jr. et al.	D8/373
3,921,356 A	11/1975	Hughes	52/299	5,005,331 A	4/1991	Shaw et al.	52/396
4,115,976 A	9/1978	Rohrer	52/741	5,134,828 A	8/1992	Baur	52/704
4,146,599 A	3/1979	Lanzetta	264/35	5,216,862 A	6/1993	Shaw et al.	52/396
4,158,937 A	6/1979	Henry	52/365	5,301,485 A	4/1994	Shaw et al.	52/678
D257,503 S *	11/1980	McKee	D8/376	D363,211 S *	10/1995	Noble	D8/395
4,261,496 A	4/1981	Mareydt et al.	224/315	D375,599 S *	11/1996	Hirano et al.	D34/27
4,437,828 A	3/1984	Egger	425/458	D375,600 S *	11/1996	Hirano et al.	D34/27
4,496,504 A	1/1985	Stenson et al.	264/69	5,678,952 A	10/1997	Shaw et al.	404/62
4,533,112 A	8/1985	Santos, Jr. et al.	249/3				

* cited by examiner

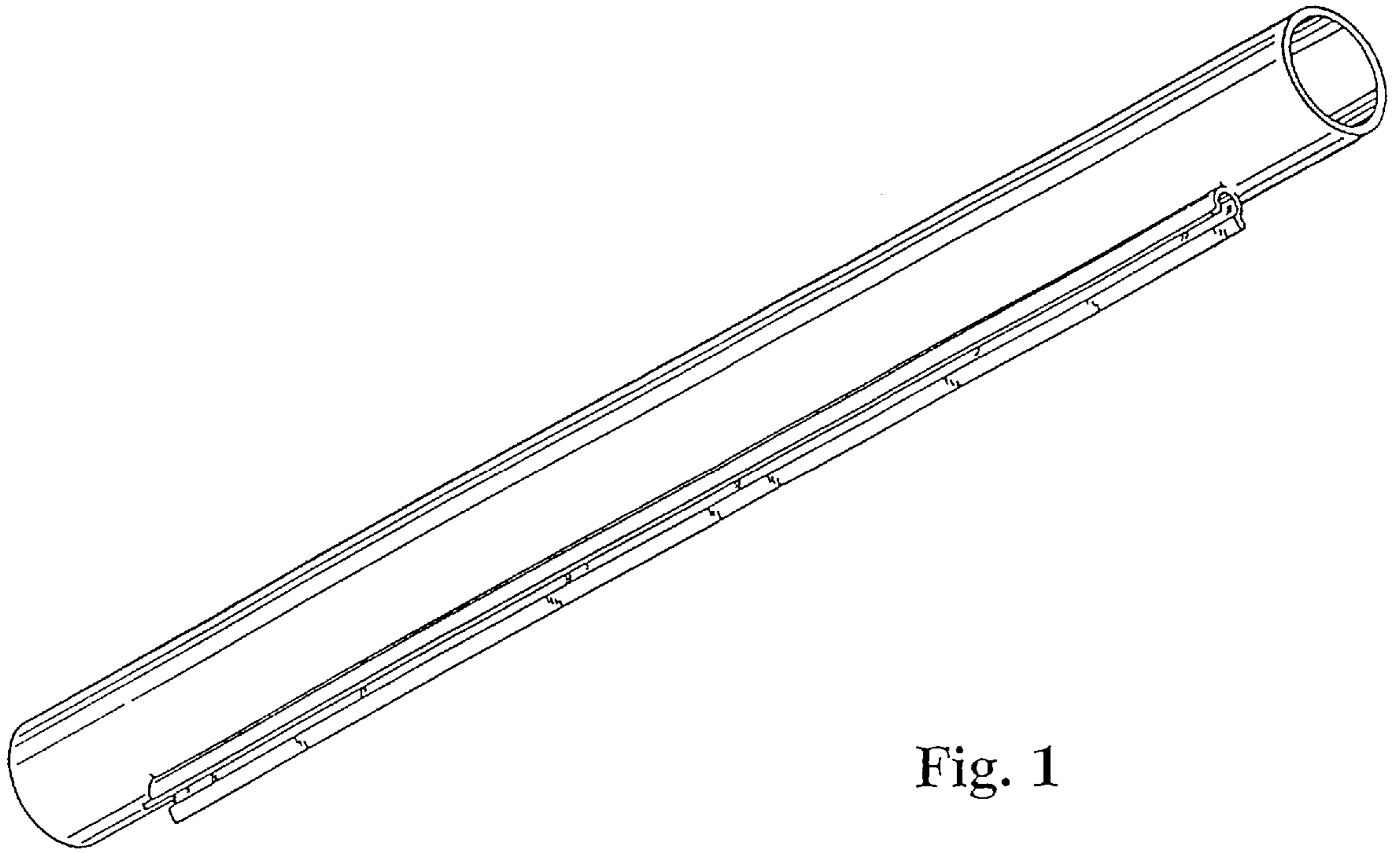


Fig. 1

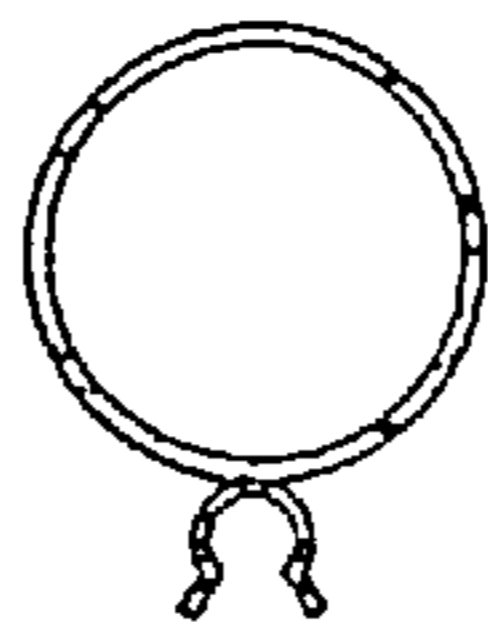


Fig. 2