



US00D459204S

(12) **United States Design Patent**  
**Worrall**

(10) **Patent No.:** **US D459,204 S**  
(45) **Date of Patent:** **\*\* Jun. 25, 2002**

(54) **WALL MOUNT FOR VIDEO OR HI-FI EQUIPMENT**

5,553,820 A \* 9/1996 Karten et al. .... 248/921 X  
D390,450 S \* 2/1998 Rosen ..... D8/380  
5,967,479 A \* 10/1999 Sweere et al. .... 248/918 X  
D433,926 S \* 11/2000 Worrall ..... D8/380

(75) Inventor: **Raymond Worrall**, Wolverhampton (GB)

\* cited by examiner

(73) Assignee: **AVF Group Limited**, Wolverhampton (GB)

*Primary Examiner*—Brian N. Vinson  
(74) *Attorney, Agent, or Firm*—Michael Best & Friedrich LLP

(\*\*) Term: **14 Years**

(21) Appl. No.: **29/143,553**

(22) Filed: **Jun. 15, 2001**

(30) **Foreign Application Priority Data**

Dec. 16, 2000 (GB) ..... 2098221

(51) **LOC (7) Cl.** ..... **08-07**

(52) **U.S. Cl.** ..... **D8/380**

(58) **Field of Search** ..... D8/349, 373, 380;  
211/13.1, 85.6, 27, 86.01, 87.01, 88.01,  
126.1, 134, 175; 248/309.1, 917-924

(56) **References Cited**

**U.S. PATENT DOCUMENTS**

D357,406 S \* 4/1995 Whitaker ..... D8/380

(57) **CLAIM**

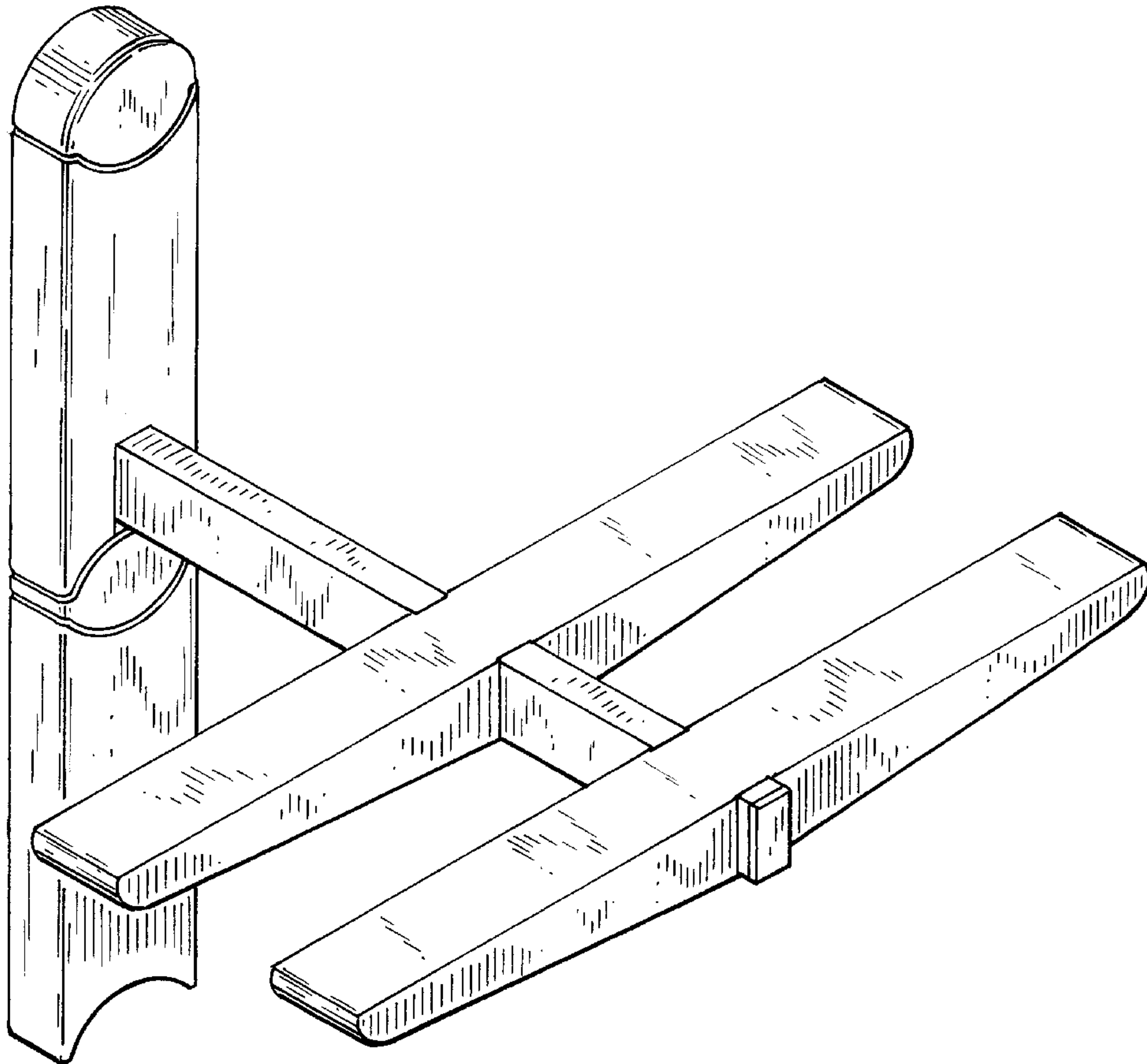
The ornamental design for a wall mount for video or Hi-Fi equipment, as shown herein.

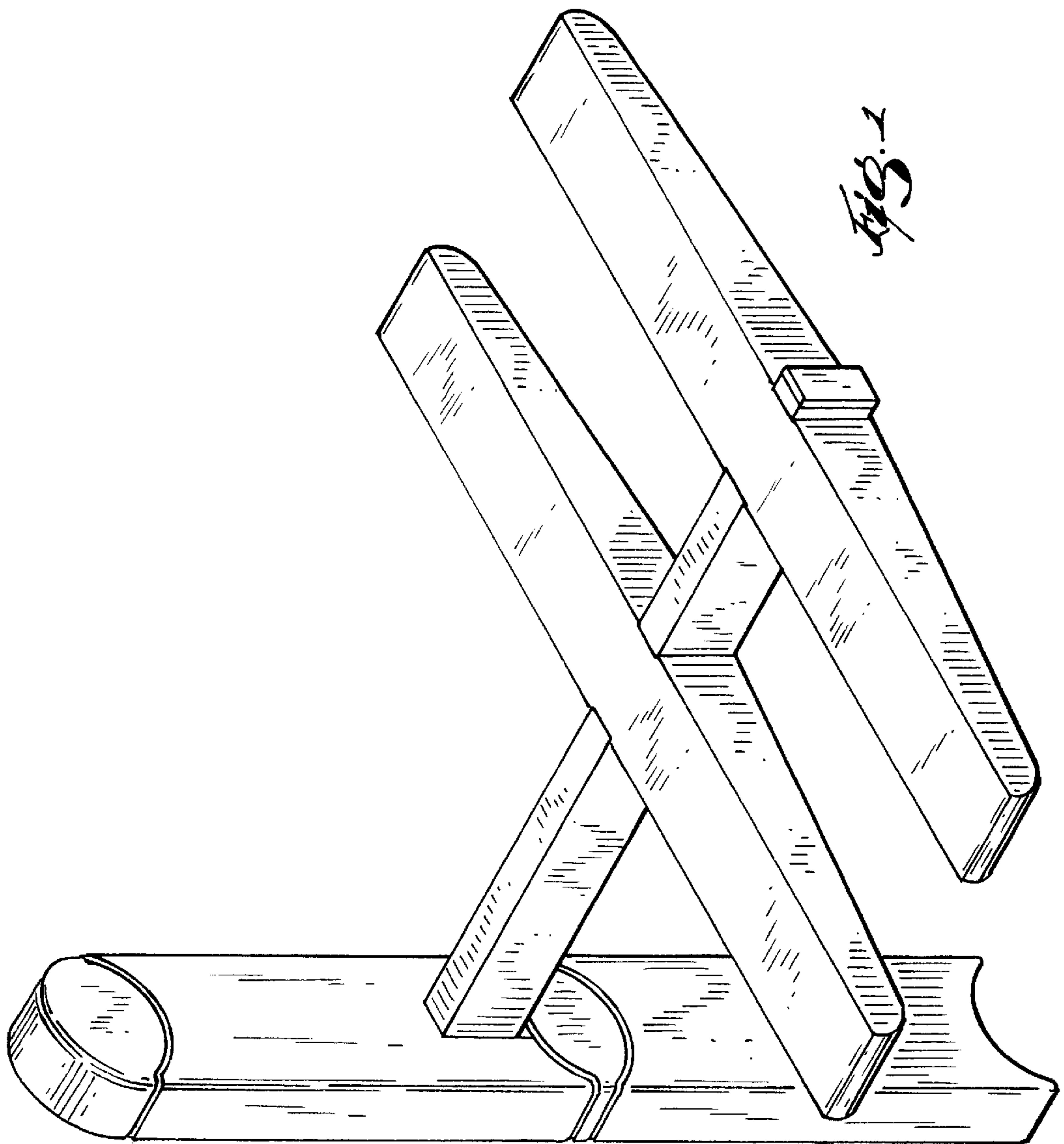
**DESCRIPTION**

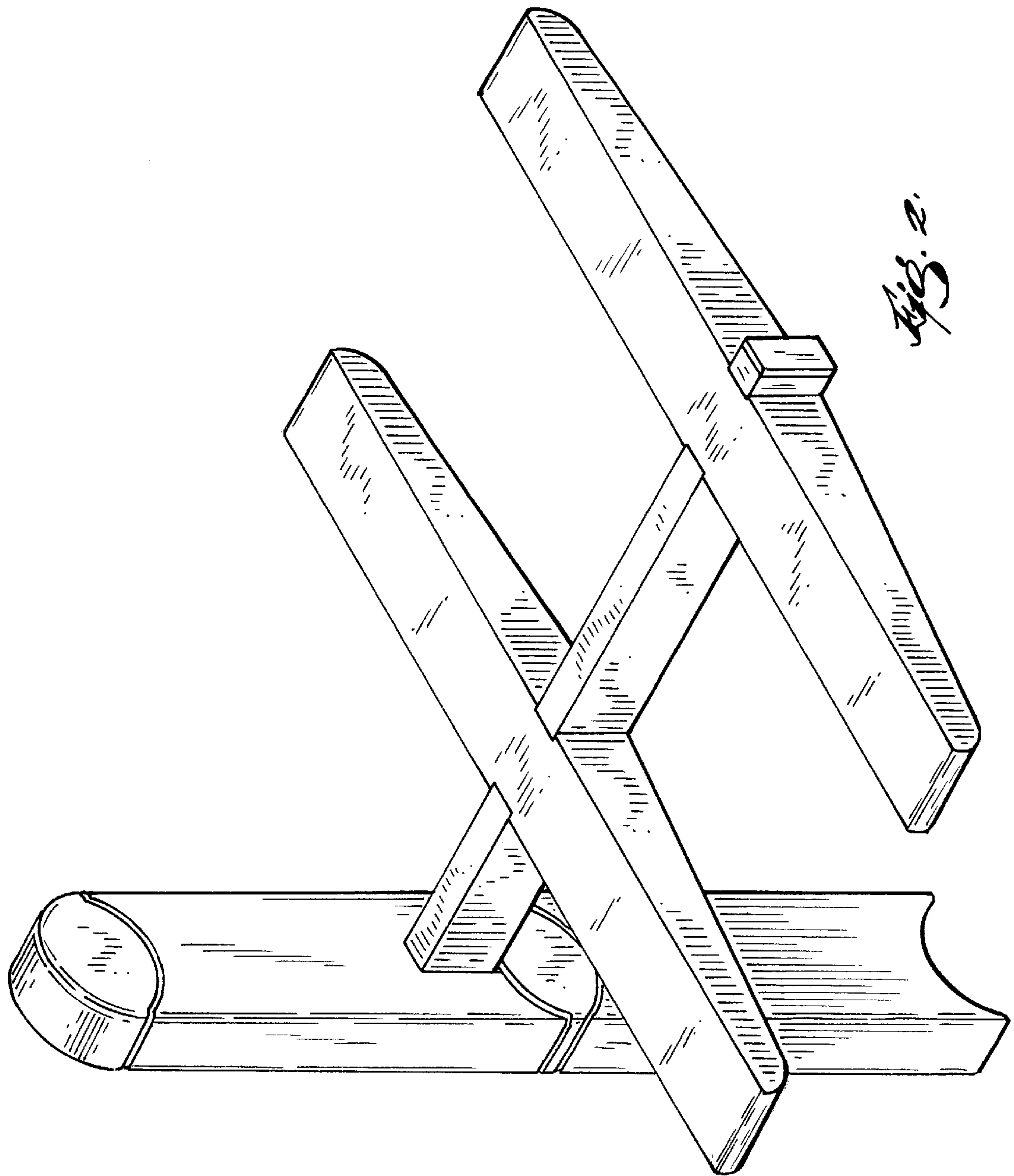
FIG. 1 is a perspective view of the support;  
FIG. 2 is a perspective view of the support with part thereof in alternative position;  
FIG. 3 is a top plan view of the support;  
FIG. 4 is a side view of the support; and,  
FIG. 5 is a front view of the support.

The rear view of the support is not part of the claimed design.

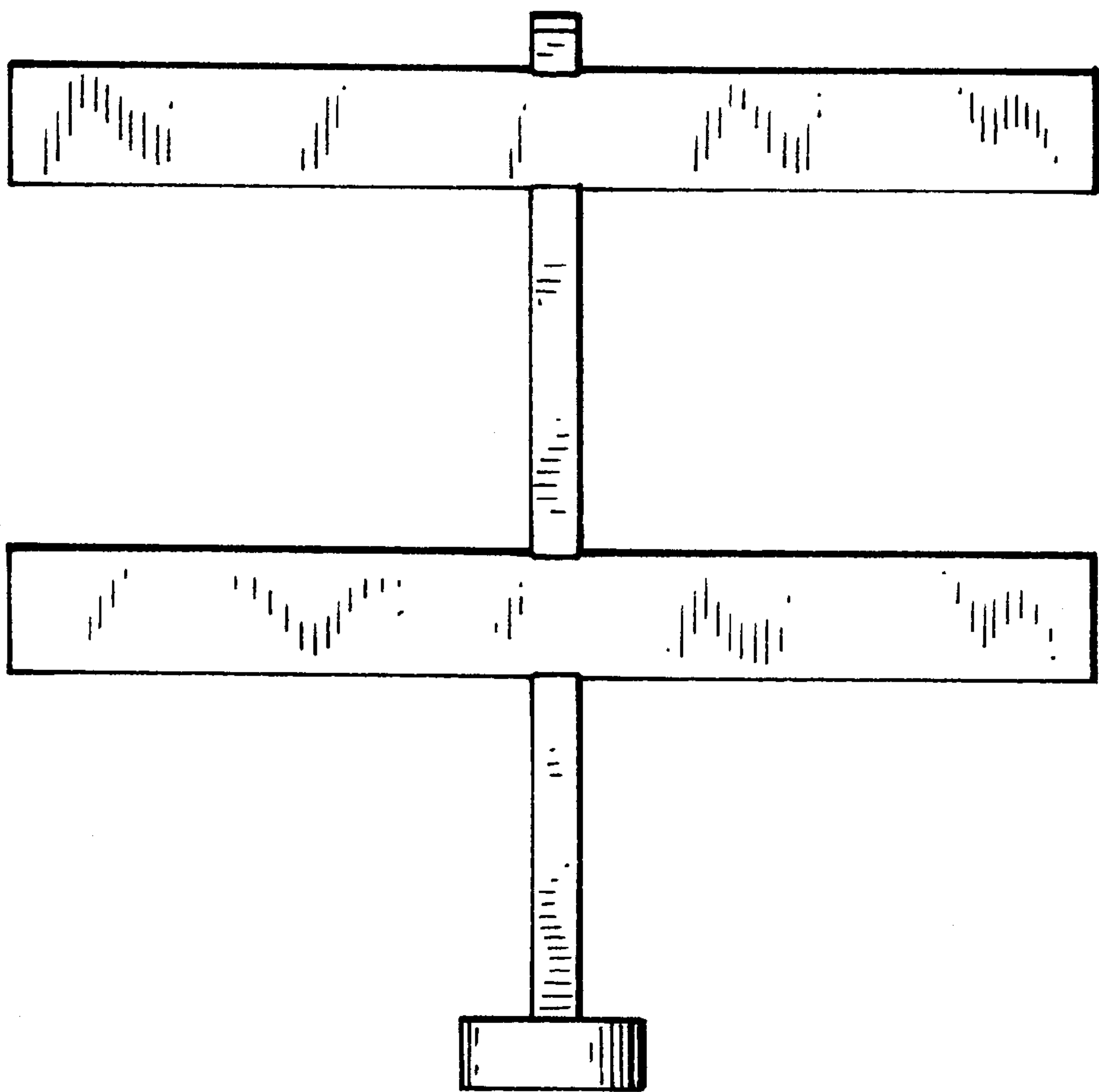
**1 Claim, 4 Drawing Sheets**

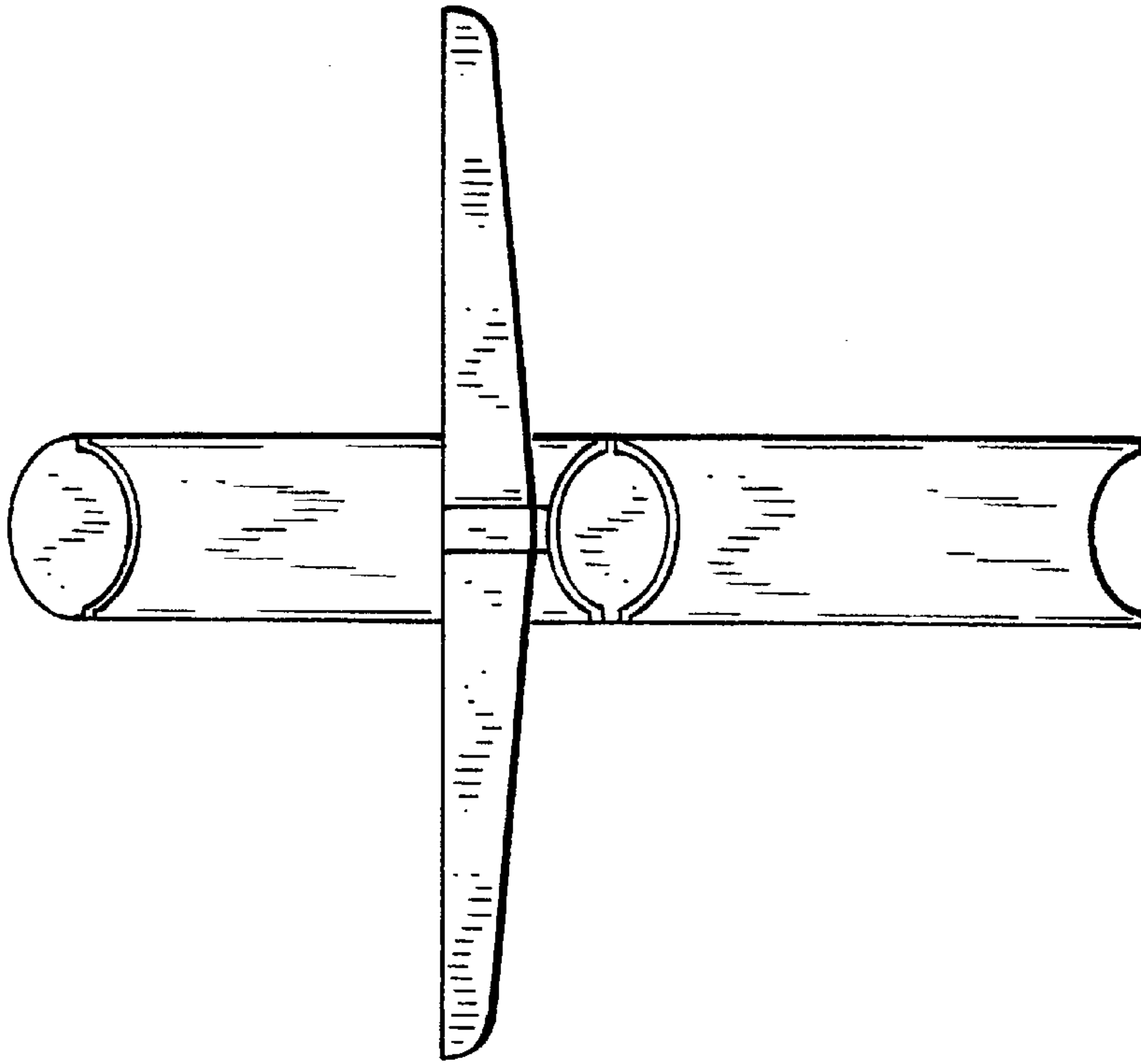




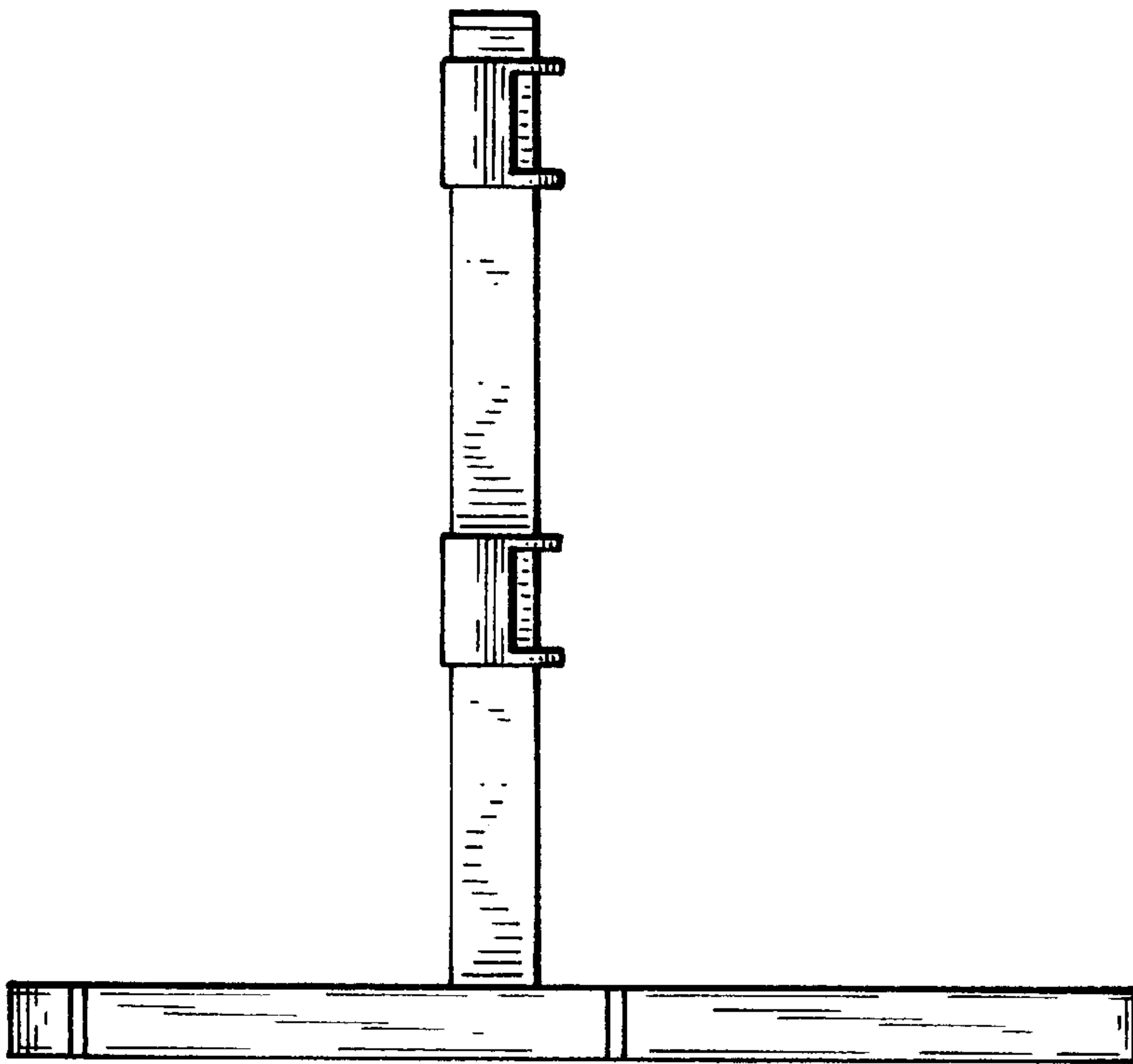


*Fig. 3*





*Fig. 5*



*Fig. A*

UNITED STATES PATENT AND TRADEMARK OFFICE  
**CERTIFICATE OF CORRECTION**

PATENT NO. : Des 459,204 S  
DATED : June 25, 2002  
INVENTOR(S) : Raymond Worrall

Page 1 of 1

It is certified that error appears in the above-identified patent and that said Letters Patent is hereby corrected as shown below:

Title page,

Item [73], delete "Wolferhampton" and insert -- Wolverhampton --.

Signed and Sealed this

Third day of September, 2002

*Attest:*

A handwritten signature in black ink, appearing to read "James E. Rogan", with a horizontal line drawn underneath it.

*Attesting Officer*

JAMES E. ROGAN  
*Director of the United States Patent and Trademark Office*