



US00D459200S

(12) **United States Design Patent**  
**Zhao**

(10) **Patent No.:** **US D459,200 S**

(45) **Date of Patent:** **\*\* Jun. 25, 2002**

(54) **ROBE HOOK**

D390,709 S \* 2/1998 Moore ..... D6/323  
D439,139 S \* 3/2001 Kuo ..... D8/363

(75) Inventor: **WeiDong Zhao**, Xiamen (CN)

**OTHER PUBLICATIONS**

(73) Assignee: **Xiamen Lota International Co., Ltd.**,  
Xiamen (CN)

MatchMakers®—We make the match that makes the room.™ Price Pfister Pfreshest Ideas in Pfaucets—Copyright 2000, Price Pfister, Inc.

(\*\*) Term: **14 Years**

\* cited by examiner

(21) Appl. No.: **29/149,678**

*Primary Examiner*—Pamela Burgess

(22) Filed: **Oct. 15, 2001**

(74) *Attorney, Agent, or Firm*—Wallenstein & Wagner, Ltd.

(51) **LOC (7) Cl.** ..... **08-05**

(57) **CLAIM**

(52) **U.S. Cl.** ..... **D8/367; D6/323**

I claim the ornamental design for a robe hook, shown and described.

(58) **Field of Search** ..... D8/352, 367, 369,  
D8/371, 310, 372; D6/523, 547, 323, 580,  
550; 248/489, 301, 304, 339, 215, 218.1,  
216.1, 467; 160/348; 211/60.1, 13.1, 65,  
66

**DESCRIPTION**

FIG. 1 is a perspective view of a robe hook showing my new design;  
FIG. 2 is a side view of the robe hook of FIG. 1;  
FIG. 3 is a front view of the robe hook of FIG. 1; and,  
FIG. 4 is a rear view of the robe hook of FIG. 1.

(56) **References Cited**

**U.S. PATENT DOCUMENTS**

D389,326 S \* 1/1998 Moore ..... D8/352

**1 Claim, 1 Drawing Sheet**

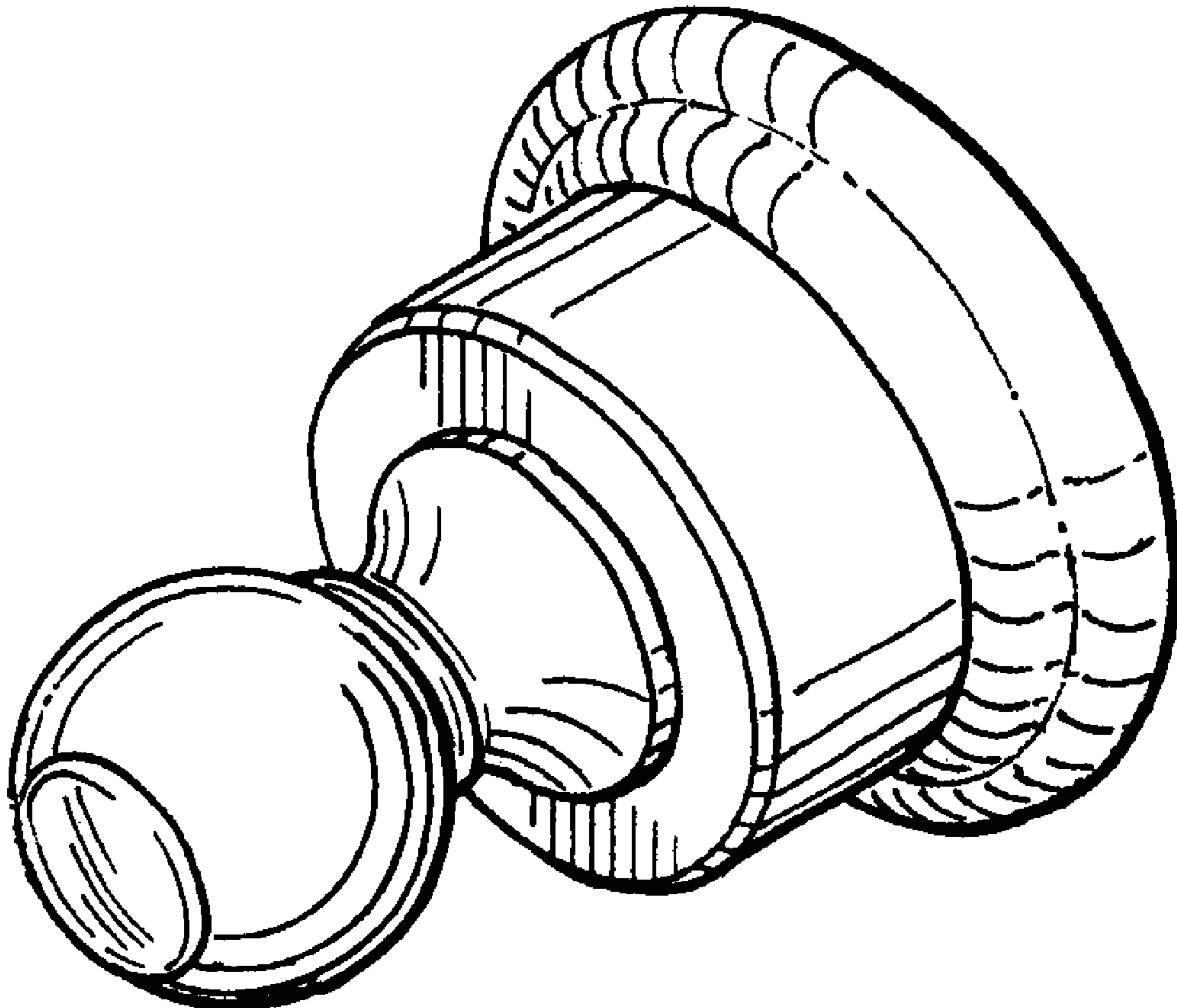


FIG.1

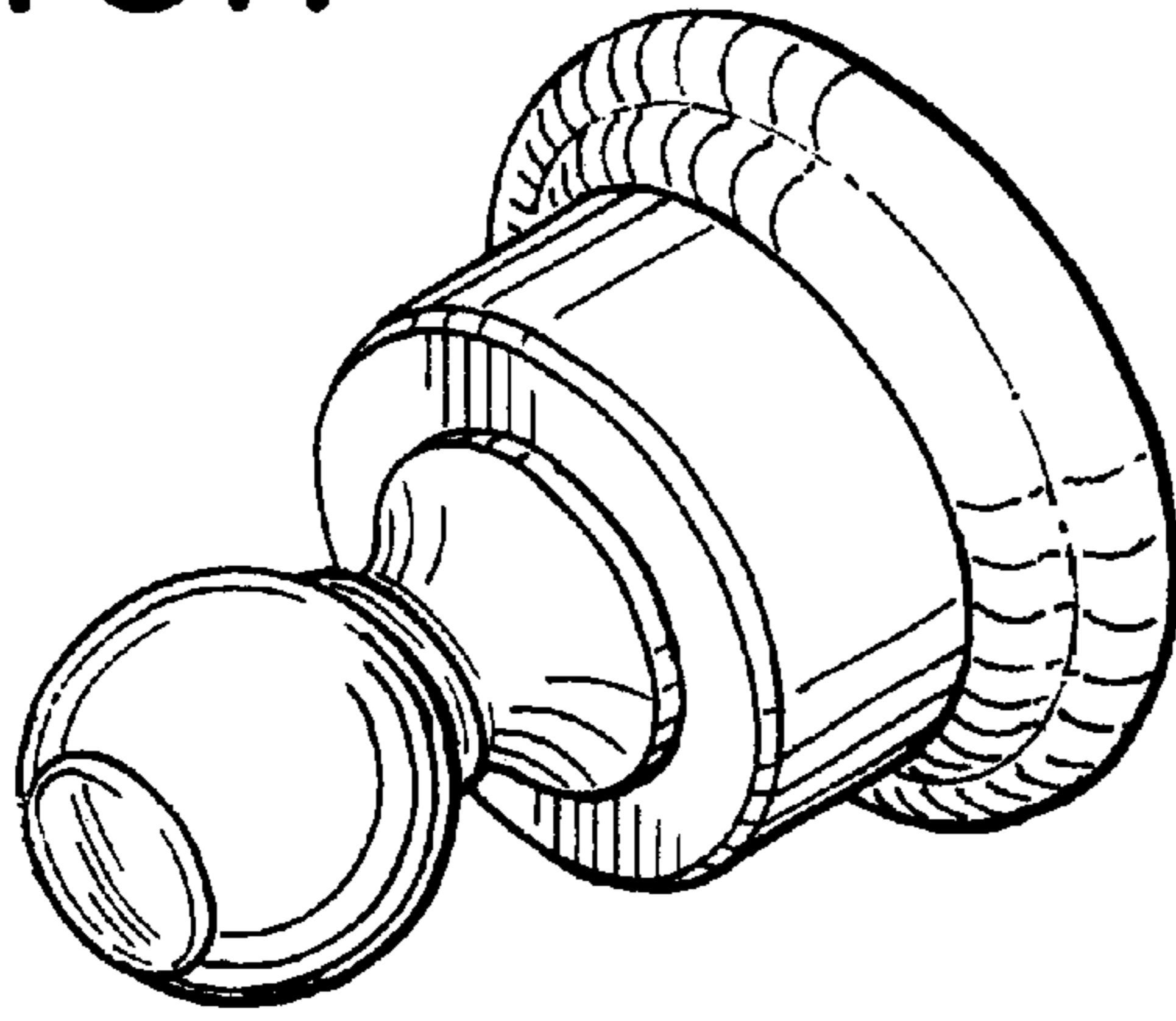


FIG.2

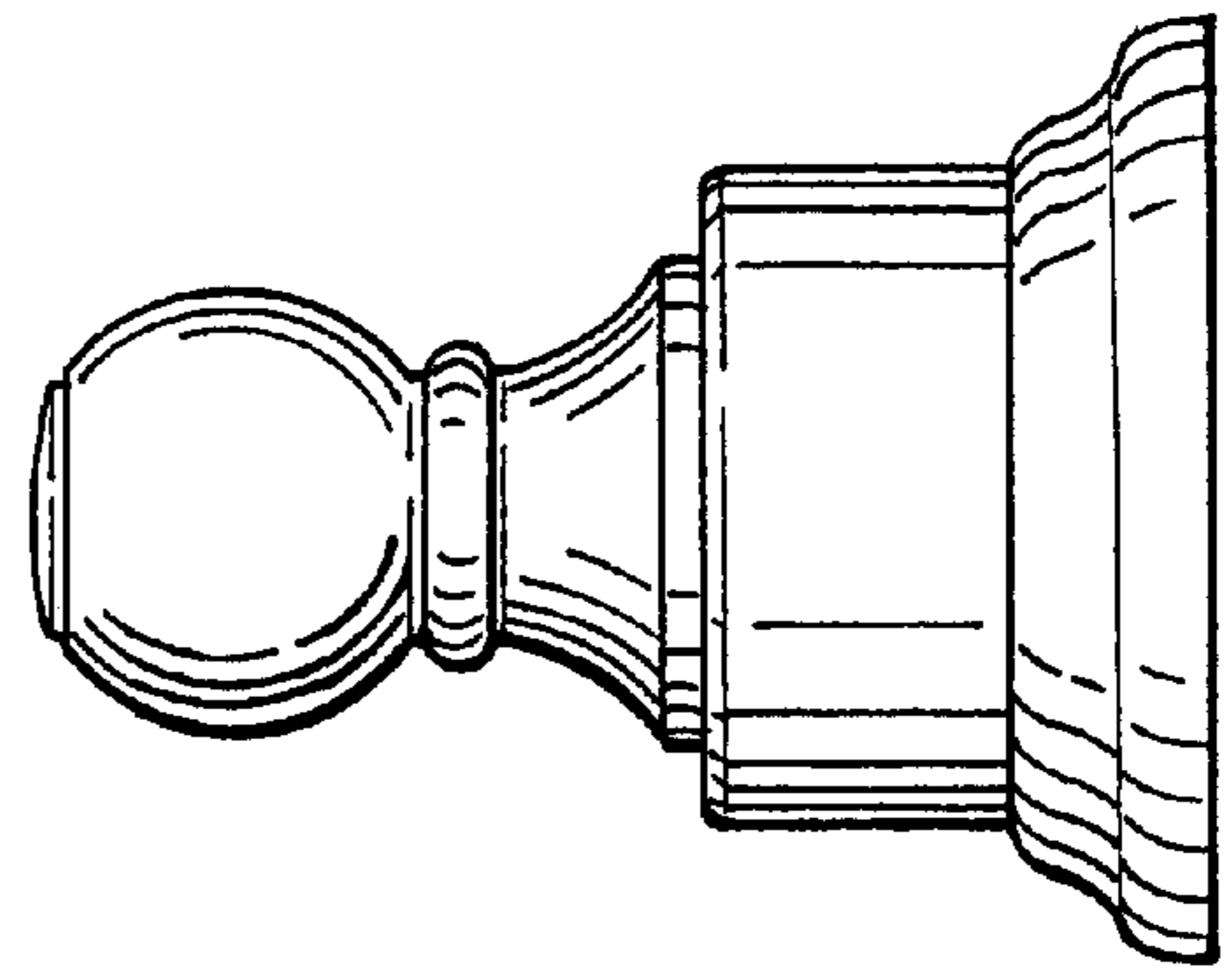


FIG.3

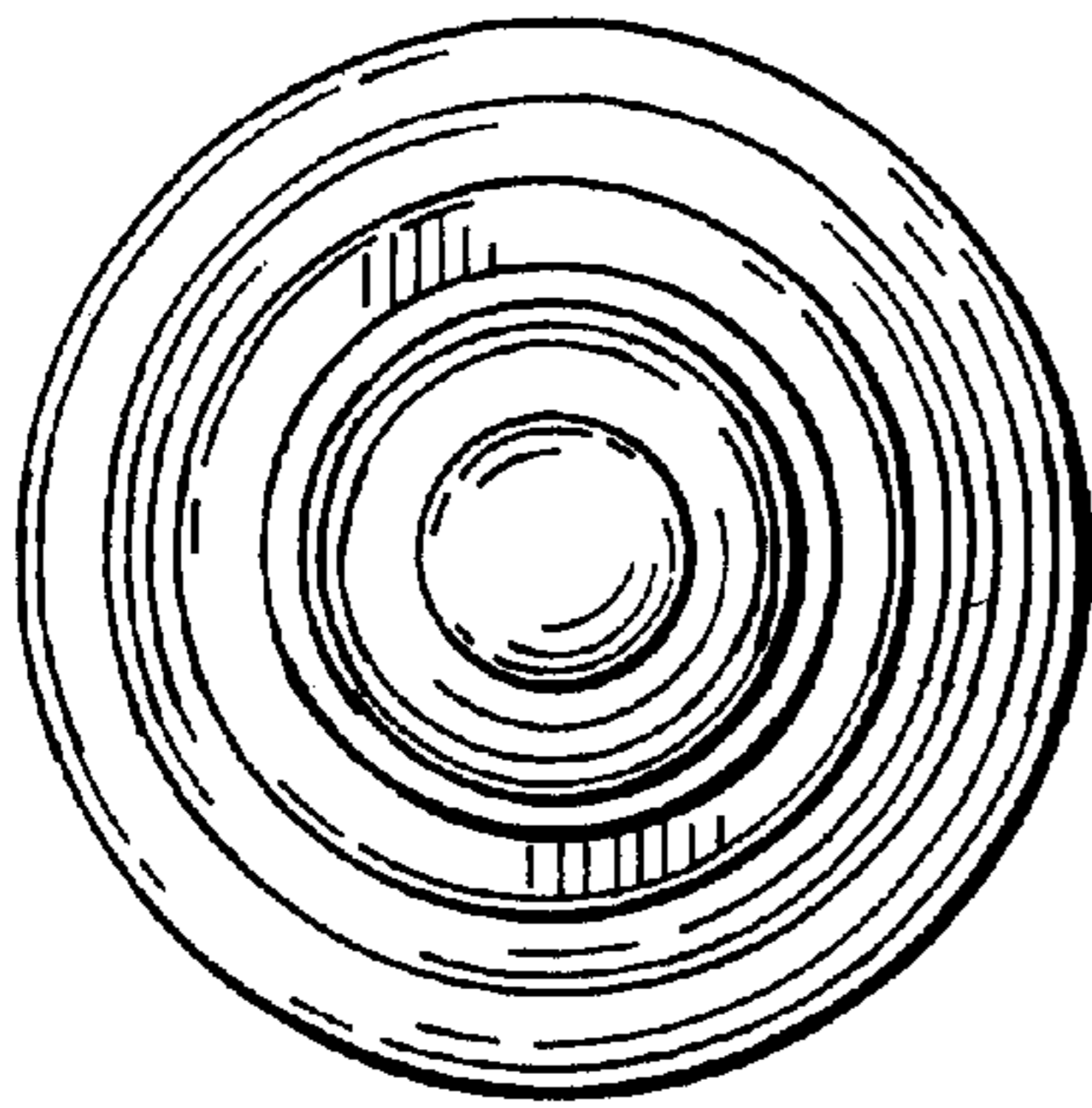


FIG.4

